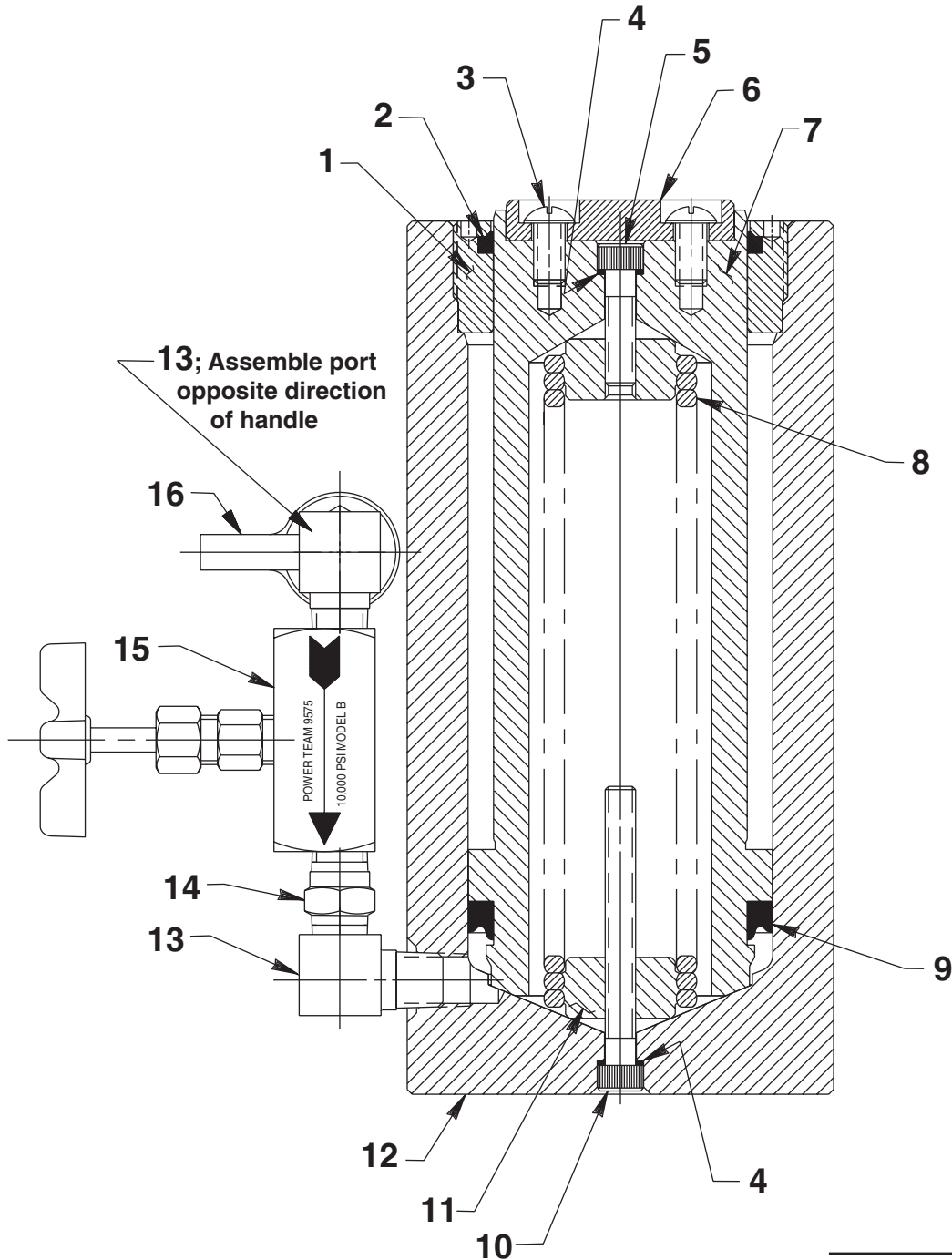


**MODEL C**  
**SINGLE-ACTING, SPRING RETURN**  
**HYDRAULIC CYLINDER**  
Max. Capacity: 55.2 Tons at 10,000 PSI



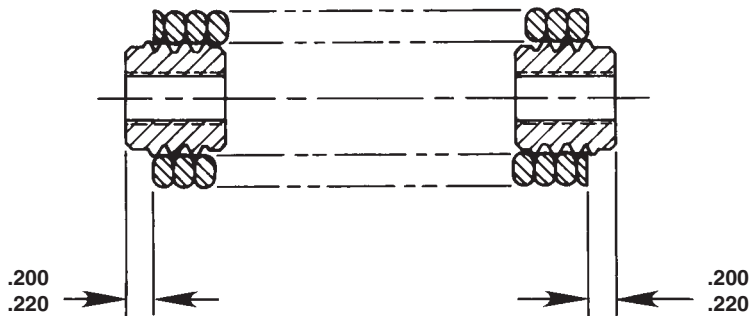
Item No.	Part No.	No. Req'd	Description
1	35897	1	Nut, Retainer (4-1/8-8; Torque to 90/100 ft. lbs. wet or dry)
2	*28851	1	U-cup (3.50 x 3.13 x .19 H)
3	16112	2	Screw, Round HD (3/8-16 x 3/4; Tighten screws securely)
4	*12042	2	Washer, Special (.56 x .38)
5	12577	1	Screw, Soc HD (3/8-16 x 1-3/4)
6	36161	1	Cap, Cylinder
7	52190	1	Piston
8	201483	1	Spring (2.0 OD x 6.13 x .26 WS)
9	*13411	1	U-cup (3.75 x 3.13 x .50 H)
10	16110	1	Screw, Soc HD (3/8-16 x 3-1/2; Torque to 400/425 in. lbs.)
11	36170	2	Retainer, Spring
12	51585	1	Body, Cylinder
13	9681	2	Fitting, Street Elbow (3/8 NPTF)
14	9682	1	Connector, Male (3/8" NPTF)
15	9575	1	Valve, Shut-off (Note: Do not torque packing nut on stem of valve more than 120 in. lbs.)
16	9796	1	Coupler, Quick Cylinder Half

**PARTS INCLUDED BUT NOT SHOWN**

35903BK2	1	Handle, Cylinder	
10005	2	Screw, Hex HD Cap (1/4-20 x 1/2)	} Used to mount cylinder handle.
10244	2	Washer, Lock (.49 x .26)	
350669	1	Decal, Tradename (Power Team)	
9798	1	Coupler, Quick Male	
42062	1	Plate, Bottom	} Assemble bottom of plate to bottom of cylinder with screws.
10050	4	Screw, Socket HD (3/8-16 x 1)	
37782	1	Decal, Warning	

Part numbers marked with an asterisk (\*) are contained in Repair Kit No. 300391.

**SPRING & RETAINER ASSEMBLY**



Refer to any operating instructions included with the product for detailed information about operation, testing, assembly, disassembly, and preventive maintenance.

Items found in this parts list have been carefully tested and selected. **Therefore: Use only genuine Power Team replacement parts!**

Additional questions can be directed to one of our Technical Services Departments.