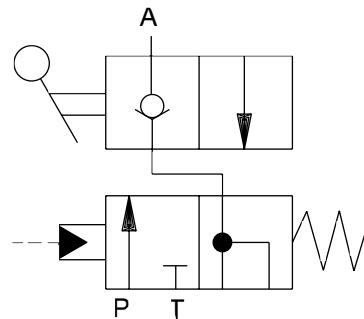
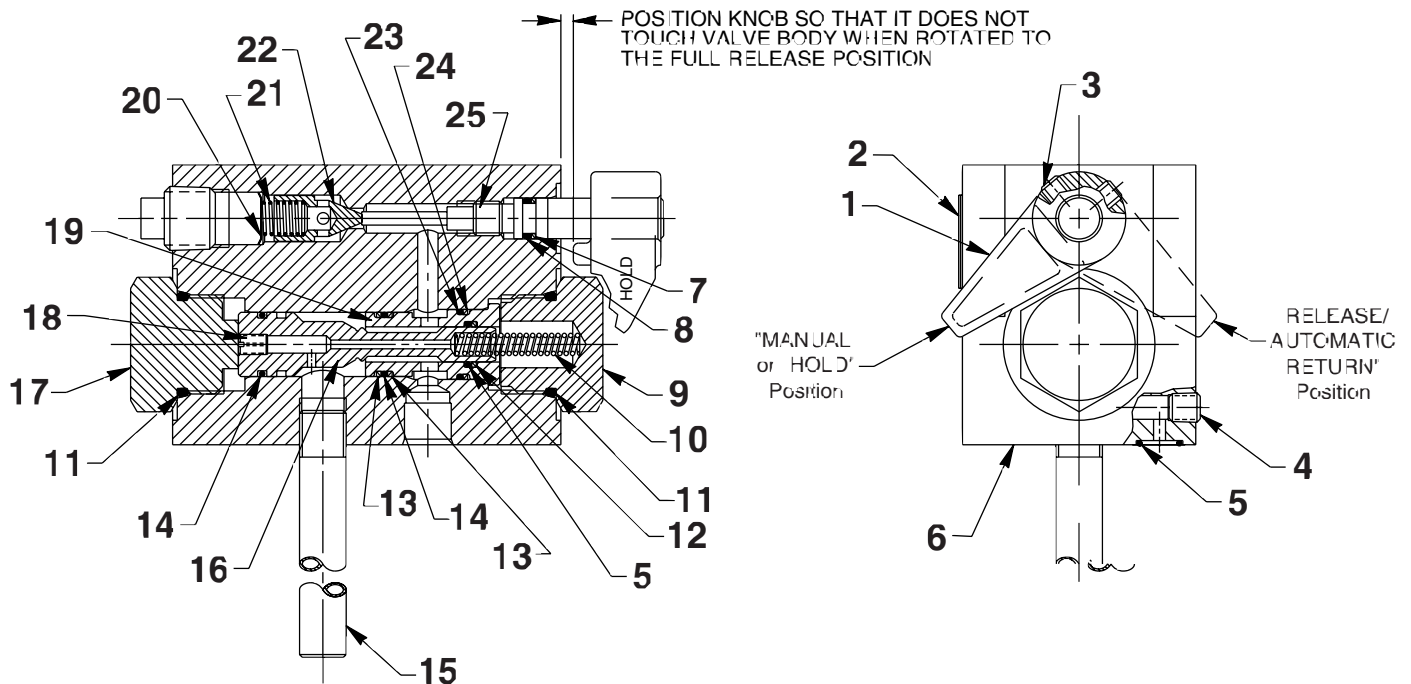


**2 POSITION, 3-WAY
AUTOMATIC MANUAL VALVE**

Max. Capacity: 10,000 PSI



HYDRAULIC SCHEMATIC

Item No.	Part No.	No. Req'd	Description
1	213109	1	Release Valve Handle
2	250987	1	Trade Name Decal
3	10556	2	Soc. Set Screw (1/4-20 UNC x 1/4 Lg.; Torque to 50/60 in. lbs. Position knob in the location shown so that the stem [Item #5] is just touching the poppet [Item #22])
4	15130	1	Plug (1/16 NPTF)
5	10268	2	O-ring (1/2 x 3/8 x 1/16, -012)
6	64294	1	Valve Body
7	15085	1	Backup Washer (7/16 x 5/16 x 3/64 Thk., -011)
8	10267	1	O-ring (7/16 x 5/16 x 1/16, -011)
9	214946	1	Plug
10	12347	1	Compression Spring (1/4 O.D. x 1-1/2 Lg.)
11	12745	2	O-ring (1-5/32 x .924 x .116, -912)
12	11863	1	Backup Washer (1/2 x 3/8 x 1/16, -012)
13	12391	2	Backup Washer (11/16 x 9/16 x .048, -015)
14	11284	2	O-ring (11/16 x 9/16 x 1/16, -015)
15	200609	1	Drain Tube
16	351909	1	Poppet
17	350164	1	O-ring Boss Plug
18	214990	1	Check Screw
19	22068	1	Bushing
20	11088	1	Retaining Ring
21	10425	1	Compression Spring (3/8 O.D. x 3/4 Lg.)
22	20771	1	Poppet
23	10302	1	O-ring (3/4 x 5/8 x 1/16, -016)
24	12392	1	Backup Washer (3/4 x 5/8 x 1/16, -016)
25	350491	1	Release Valve Screw

PARTS INCLUDED BUT NOT SHOWN

22747	1	Accumulator Assembly
10854	4	Cap Screw (1/4-20 UNC x 1-3/4 Lg.)

VALVE OPERATION

1. To build pressure, turn the valve control handle counterclockwise (CCW).
2. Start the pump by pressing the remote motor control ON/OFF switch. **NOTE: Oil advances the cylinder when the unit is activated.**
3. When the cylinder has advanced to the desired position, release the remote motor control ON/OFF switch.
4. To retract the cylinder, turn the valve control clockwise (CW).

NOTE: The valve works the same as the manifold if the pump is operated with the valve in the RETURN position. In this position, the cylinder advances when the pump is running and retracts when the motor is stopped.

When the valve is in the HOLD position, the cylinder advances when the pump is running and holds when the motor is stopped. The cylinder can be retracted by moving the valve to the RETURN position.

Note: Shaded areas reflect last revision(s) made to this form.