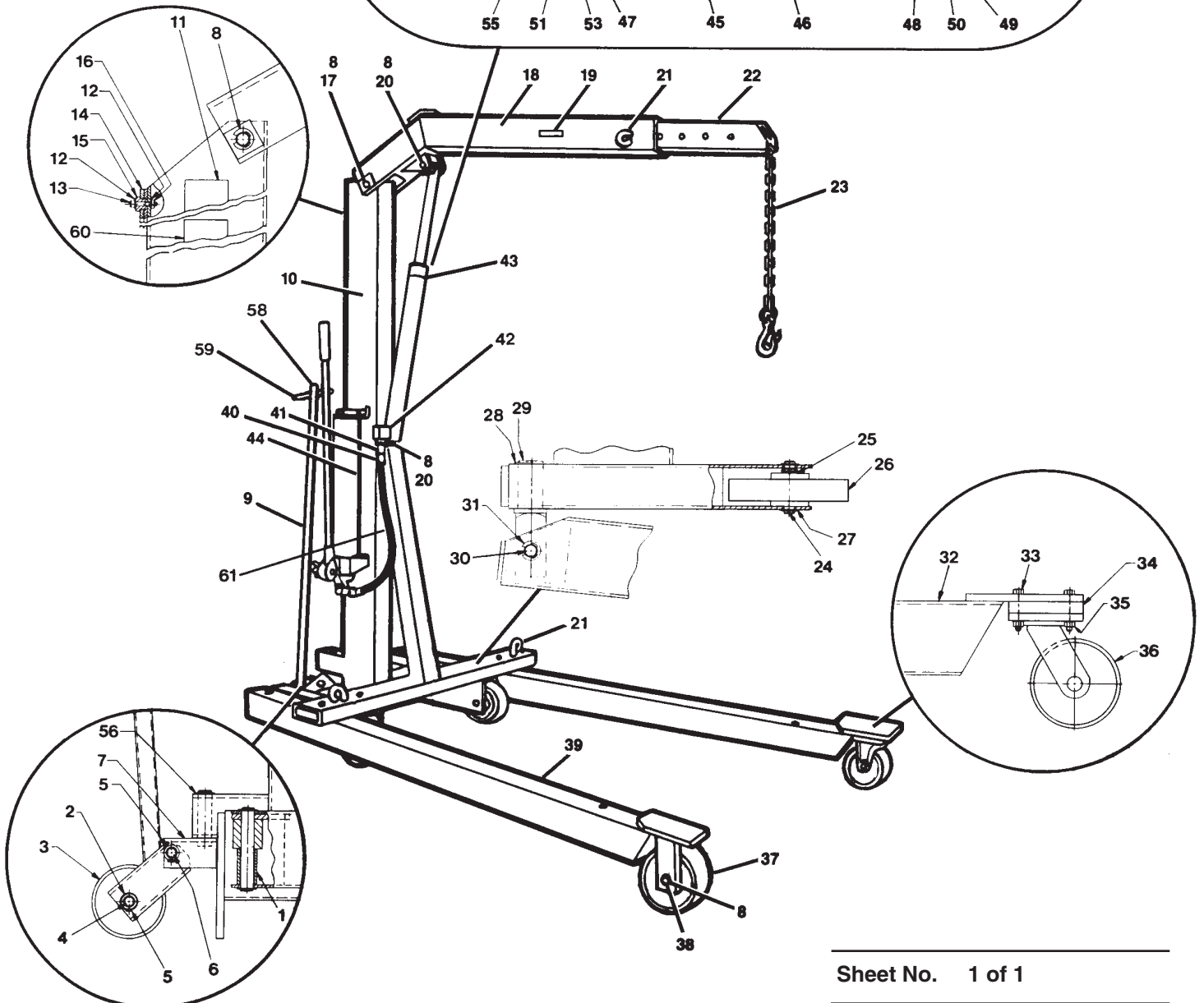
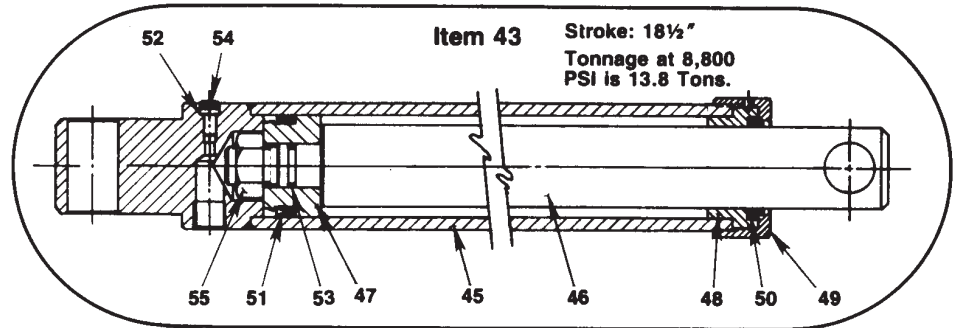


## MOBILE FLOOR CRANE

Max. Capacity: 4,400 lbs.  
(boom retracted)

Max. Capacity: 3,300 lbs.  
(boom extended)



# Parts List, Form No. 100778, Back sheet 1 of 1

Item No.	Part No.	No. Req'd	Description	Item No.	Part No.	No. Req'd	Description
1	28697	2	Spacer	33	17243	4	Cap Screw (3/8-16 x 2-1/2 lg.)
2	12330	2	Washer (For 3/4" bolt)	34	306283OR9	2	Spacer
3	12078-1	1	Wheel	35	12353	4	Hex Nut (3/8-16)
4	309262	1	Pin	36	12342-1	1	Caster Wheel
5	14855	4	Retaining Ring (For 3/4" shaft)	37	12026-1	1	Wheel
6	309260	1	Pin	38	24107	1	Pin
7	47762	1	Dolly Pivot Block	39	41414OR9	1	R.H. Leg
8	11903	8	Retaining Ring (For 1" shaft)	40	13273	1	Plug
9	53422	1	Dolly Assembly	41	10469	1	Adapter Union
10	60155	1	Frame Assembly	42	28824	1	Flow Control Valve
11	308833	2	Warning Decal	43	41398	1	Cylinder Assembly (Consists of items 45-55)
12	10257	2	Washer (For 5/16" bolt)	44	64662	1	Pump Ass'y (See Form #101403; 8,700/9,300 PSI)
13	10948	1	Cap Screw (5/16-18 x 1-1/2 lg.)	45	34128	1	Cylinder
14	38842	2	Leg Catch	46	34130	1	Piston Rod
15	205052	1	Spacer	47	28640	1	Piston Head
16	13116	1	Locknut (5/16-18)	48	28639	1	Guide
17	24122	1	Pin	49	28641	1	Collar
18	41408OR9	1	Boom Assembly	50	*14257	1	Rod Wiper
19	304665	1	Capacity Decal	51	*11368	1	U-cup
20	28695	2	Pin	52	*10442	1	Soft Copper Washer (3/8 x 1/4 x 1/32)
21	220064	3	Pin	53	*10274	1	O-ring (7/8 x 11/16 x 3/32)
22	41407	1	Boom Extension	54	10002	1	Cap Screw (1/4-20 x 3/8" lg.)
23	39611	1	Chain Assembly (See Note below)	55	14256	1	Locknut (3/4-16 UNF)
24	28592	2	Pin	56	11998	1	Retaining Ring (For 1" shaft)
25	14857	6	Washer (For 3/4" bolt)	58	207655	1	Tube Cap
26	215200	2	Wheel	59	209550	2	End Cap
27	11902	4	Retaining Ring (For 3/4" shaft)	60	202092	2	Trade Name Decal
28	14277	2	Retaining Ring (For 1-3/4" shaft)	61	36890	1	Hydraulic Hose
29	34168	2	Rivet Pin				
30	28696	2	Pin				
31	11919	4	External Ring (For 7/8" shaft)				
32	41413OR9	1	L.H. Leg				

Part numbers marked with an asterisk (\*) are contained in Repair Kit No. 300376.

**Note:** For replacement safety latch hook kit, order No. 251831.

Refer to any operating instructions included with this product for detailed information about operation, testing, disassembly, reassembly, and preventive maintenance.

Items found in this parts list have been carefully tested and selected. **Therefore: Use only genuine replacement parts!**

Additional questions can be directed to our Technical Services Department.

Note: Removed reference to HTS6 thread sealant under "PARTS INCLUDED BUT NOT SHOWN".