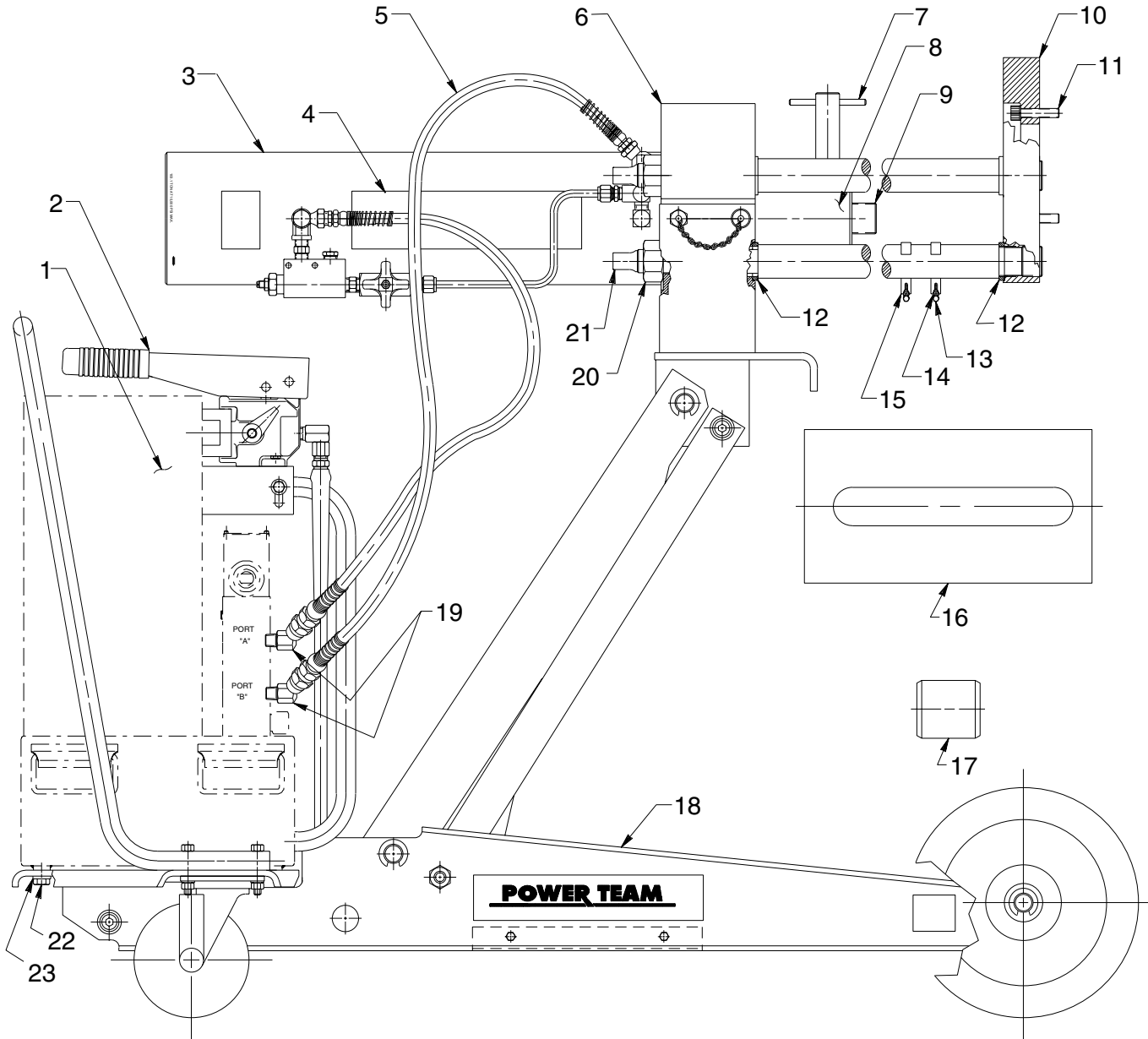


MODEL D UNIVERSAL RAILROAD AXLE BEARING PULLER

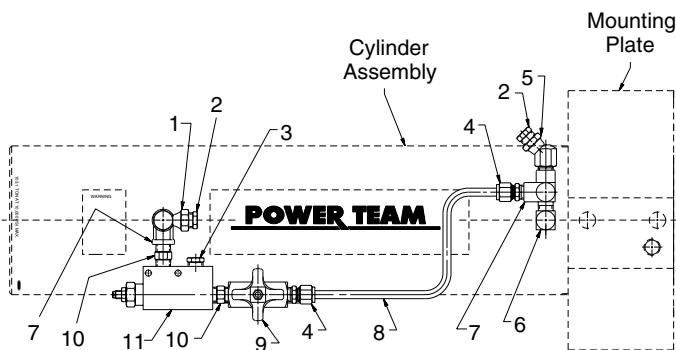


Parts List, Form No. 101393, Back sheet 1 of 2

Item No.	Part No.	No. Req'd	Description
1	60719	1	Electric Hydraulic Pump (For PR2100J; See Form Nos. 100384 & 102371)
	60719-50-220	1	Electric Hydraulic Pump (For PR2100J-50-220; See Form Nos. 100384 & 102371)
	60685	1	Electric Hydraulic Pump (For PR3100J; See Form Nos. 100353 & 102337)
	60685-50-380	1	Electric Hydraulic Pump (For PR3100J-50-380; See Form Nos. 100353 & 102337)
2	P23	1	Hydraulic Hand Pump (See Form No. 101264)
*3	64559	1	Cylinder Assembly (See Form No. 101390)
*4	309221	2	Trade Name Decal
5	36891	2	Hose Assembly
*6	64549	1	Cylinder Mounting Plate
7	20001	1	Coupling Pin
8	30413	1	Adapter
9	30414	1	Guide Tube Coupler
10	420845	1	Pulling Shoe
11	11214	3	Cap Screw (1/2-13 UNC X 2" Lg.)
12	---	8	Soft Spacer (See note below)
13	21498	4	Special Hex Hd. Cap Screw
14	10204	4	Hex Nut (3/8-16 UNC)
15	420372WH2	2	Installing Tube Cradle
16	30416	1	Installing Tube
17	21260	1	Adapter Forcing Plug
18	64334	1	Portable Cart Assembly (See Form No. 101318)
19	10648	2	45° Elbow Fitting
20	---	4	Hex Nut (1-1/4-12 UNF; Torque to 100 ft. lbs. See note below)
21	---	4	Tie Rod (Torque to 100 ft. lbs. See note below)
22	10076	4	Hex Hd. Cap Screw (1/2-20 UNF x 7/8 Lg.)
23	10249	4	Lockwasher (For 1/2 bolt)

NOTE: Items 12, 20 & 21 must be replaced at the same time. Order Kit No. 300673.

OIL LINE HOOKUP



Item No.	Part No.	No. Req'd	Description
*1	10470	1	Adapter Union (90° Elbow)
*2	250952	2	Drive Plug (3/8 NPTF)
*3	14690	1	Hex Plug (3/8 NPTF)
*4	10662	2	Connector
*5	10648	1	Adapter Union (45° Elbow)
*6	10474	1	90° Elbow
*7	10623	2	Service Tee
*8	350893	1	Oil Line
*9	9575	1	Shut-off Valve
*10	10673	2	Hex Nipple (3/8 NPTF)
*11	9623	1	Pressure Regulator Assembly (Set at 6,000 PSI - See Form No. 100412)

Note: #64564 cylinder mounting and plate assembly includes all parts on this page that are marked with an asterisk (*).

ASSEMBLY NOTE:

1. Thread cylinder into mounting plate until bottomed out. Back out cylinder two turns and apply Loctite 242 to last two threads only. Turn cylinder in one to two turns until port holes in cylinder are lined up with holes on right side of mounting plate as shown.

TOOLING ORDER INFORMATION

IMPORTANT: This tooling chart applies only to standard AAR configurations for freight car applications. In order to provide adapters needed to service housing-type locomotive and passenger car bearings, Power Team must be provided with the following information: bearing manufacturer's name and general arrangement drawing number; size of bearing to be serviced; railroad name and location; part numbers of adapters which are already in your possession if you presently own a Puller-Installer.

Tool Description	Class and size of bearing assembly to be serviced									
	Class B 4 1/4" x 8" (No.)	Class C 5" x 9" (No.)	Class D 5 1/2" x 10" (No.)	Class E 6" x 11" (No.)	Class EE 5 1/2" Axle (No.)	Class EE 6" Axle (No.)	Class F 6 1/2" x 12" (No.)	Class G 7" x 12" (No.)	Class G 6 1/2" Axle (No.)	Class GG 6 1/2" Axle (No.)
Pulling Shoe	No. 420845 is included as part of basic machine – Do Not Order							420846	420846	420846
Pulling Shoe	30522	30512	30521	30520	30520	30519	30519	—	—	—
Insert Adapter										
Guide Tube & Cap Screw Assembly	253313	253314	253317	253318	253316	253327	253320	253321	253319	253323
Cap Screw**	253156	253349	253308	253155	253307	253308	253310	253326	253309	253309
Guide TubeNo. Adapter	23934	21248	21248	21247	21247	21247	21247	21247	21247	21247
Installing Tube	No. 30416 is included as part of basic machine – Do Not Order							30417	30417	30417
Installing Tube Adapter Ring	21242	21258	21256-1	21255-1	21255-1	21257-1	21257-1	30586	30585	30585

Note: Adapters listed above are for servicing the following roller bearing assemblies: Brenco "Crown-Taper", New Departure-Hyatt "Hy-Roll Taper", SKF "Expediter" and Timken "AP".

** Screws are supplied with the guide tube and should be ordered as replacements only.

***NOTE:** Adapters listed above are for servicing the following roller bearing assemblies: Brenco "Crown-Taper", New Departure-Hyatt "Hy-Roll Taper", SKF "Expediter" and Timken "AP."

****Screws are supplied with the guide tube and should be ordered as replacements only!**

Refer to any operating instructions included with this product for detailed information about operation, testing, disassembly, reassembly, and preventive maintenance.

Items found in this parts list have been carefully tested and selected. **Therefore: Use only genuine Power Team replacement parts!**

Additional questions can be directed to our Technical Services Department.