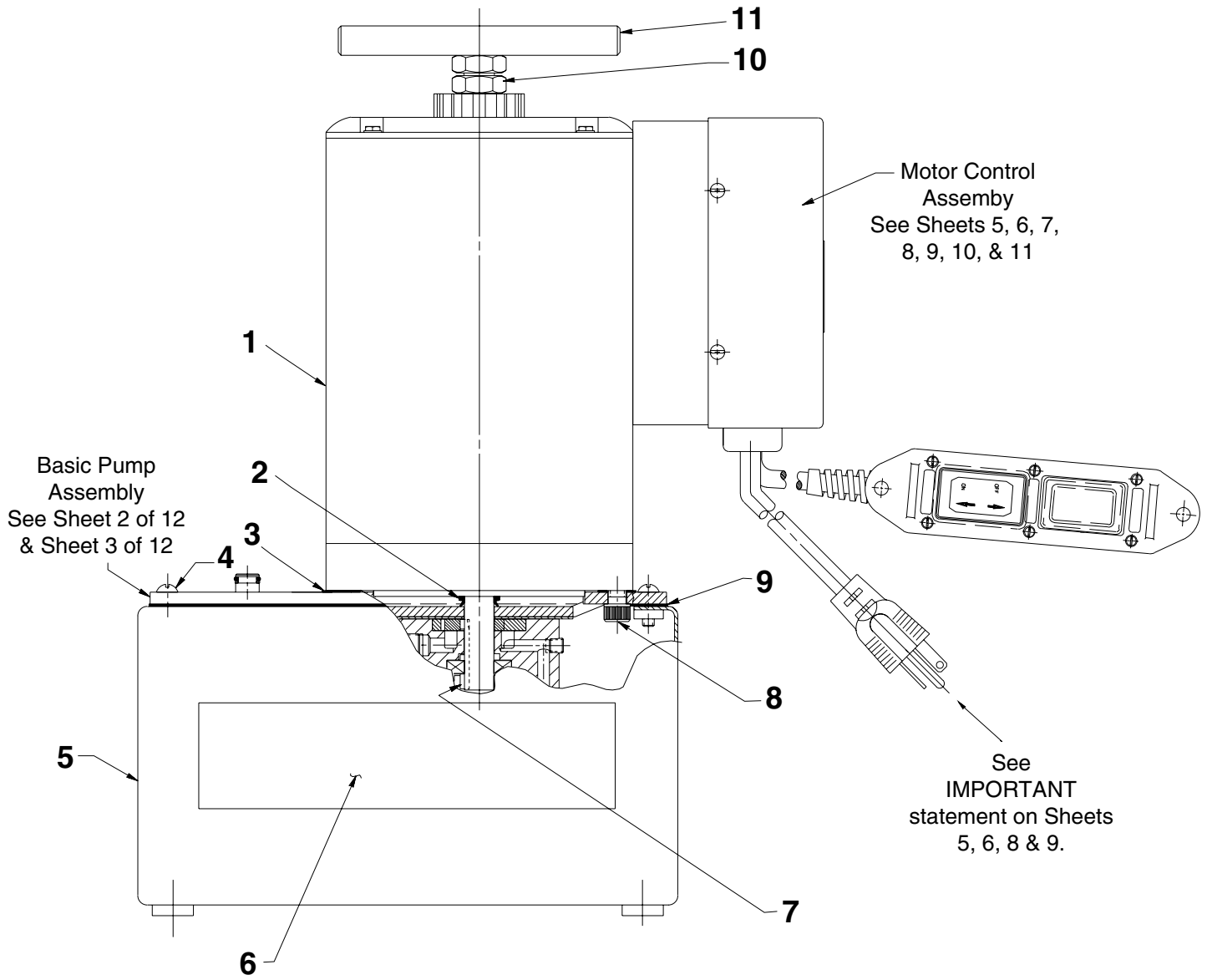


Parts List for:

	PE462A-SMET	PE462S-HWMAX
	PE462A-SMET-220	PE464
4055	PE462S	PE464-230
4056	PE462S-230	PE464S
4057	PE462S-ACE	PE464S-230
PE462	PE462S-NU-TECH	PE464S-CUP
PE462A	PE642S-HWBODY	PE464S-ROPER

ELECTRIC HYDRAULIC PUMP



Parts List, Form No. 101202, Back sheet 1 of 12

Item No.	Part No.	No. Req'd	Description
1	58053WH2	1	Electric Motor
	53104WH2	1	Electric Motor (For PE462A-SMET-220)
2	213674	1	V-ring Seal
3	307425	1	Motor Base Gasket
4	10177	10	Machine Screw (#10-24 x 3/4 Lg.; For PE46 Series; Metal Reservoir)
	209799	14	Self-tapping Washer Hd. Screw (1/4-10 x 7/8 Lg.; For 4055, 4056, 4057 [115 V. & 230 V.]; Plastic Reservoir)
5	40063OR9	1	Metal Reservoir (For PE46 Series)
	40063RE6	1	Reservoir (For PE464S-CUP)
	61165	1	Plastic Reservoir (For 4055, 4056, 4057[115 V. & 230 V.]
6	309219	2	Trade Name Decal (For PE46 Series)
	308103	2	Trade Name Decal (For 4055)
	308104	2	Trade Name Decal (For 4056)
	308105	2	Trade Name Decal (For 4057)
7	214097	1	Key
8	10050	4	Soc. Hd. Screw (3/8-16 x 1" Lg.; Torque to 90/100 in. lbs.)
9	40164	1	Reservoir Gasket
10	10394	1	Nut
11	203146	1	T-handle

PARTS INCLUDED BUT NOT SHOWN

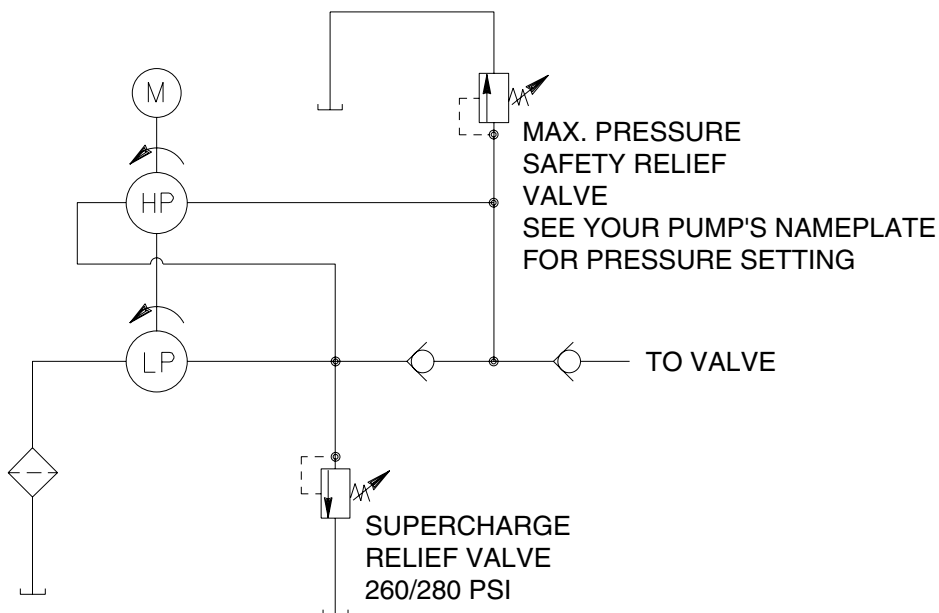
203972	1	Decal (CSA)
213695	1	Decal (Intermittent Duty)

Item No.	Part No.	No. Req'd	Description
VALVE ASSEMBLIES			
9584	1	1	Single-acting Valve (See Form #101239; For PE462 & 4055; Note: Use #200609 drain tube.)
9500	1	1	4-way Valve (See Form #100623; For PE464 & 4057)
9579	1	1	Solenoid Valve (See Form #100445; For PE462S, 4056, PE462S-NU-TECH, PE462S-HWBODY & PE462S-HWMAX)
9592	1	1	Two Pos. 4-way Solenoid Valve (See Form #108066; For PE464S)
9552	1	1	Two Pos. 4-way Solenoid Valve (See Form #108066; For PE464S-230)
16797	1	1	90° Elbow Fitting
9689	1	1	Connector Fitting
200609	1	1	Drain Tube
9610	1	1	Automatic Valve (See Form #101200; For PE462A-SMET & PE462A-SMET-220)
16664-1	1	1	Solenoid Valve
51217	1	1	Manifold Valve
10474	2	2	90° Elbow Fitting
11628	2	2	Straight Fitting
15499	1	1	Plug (1/8 NPTF)
11084	3	3	Plug (1/16 NPTF)
10479	1	1	Plug (1/4 NPTF)
216666	1	1	Bushing

For PE464S & PE464S-230

For PE464S-ROPER

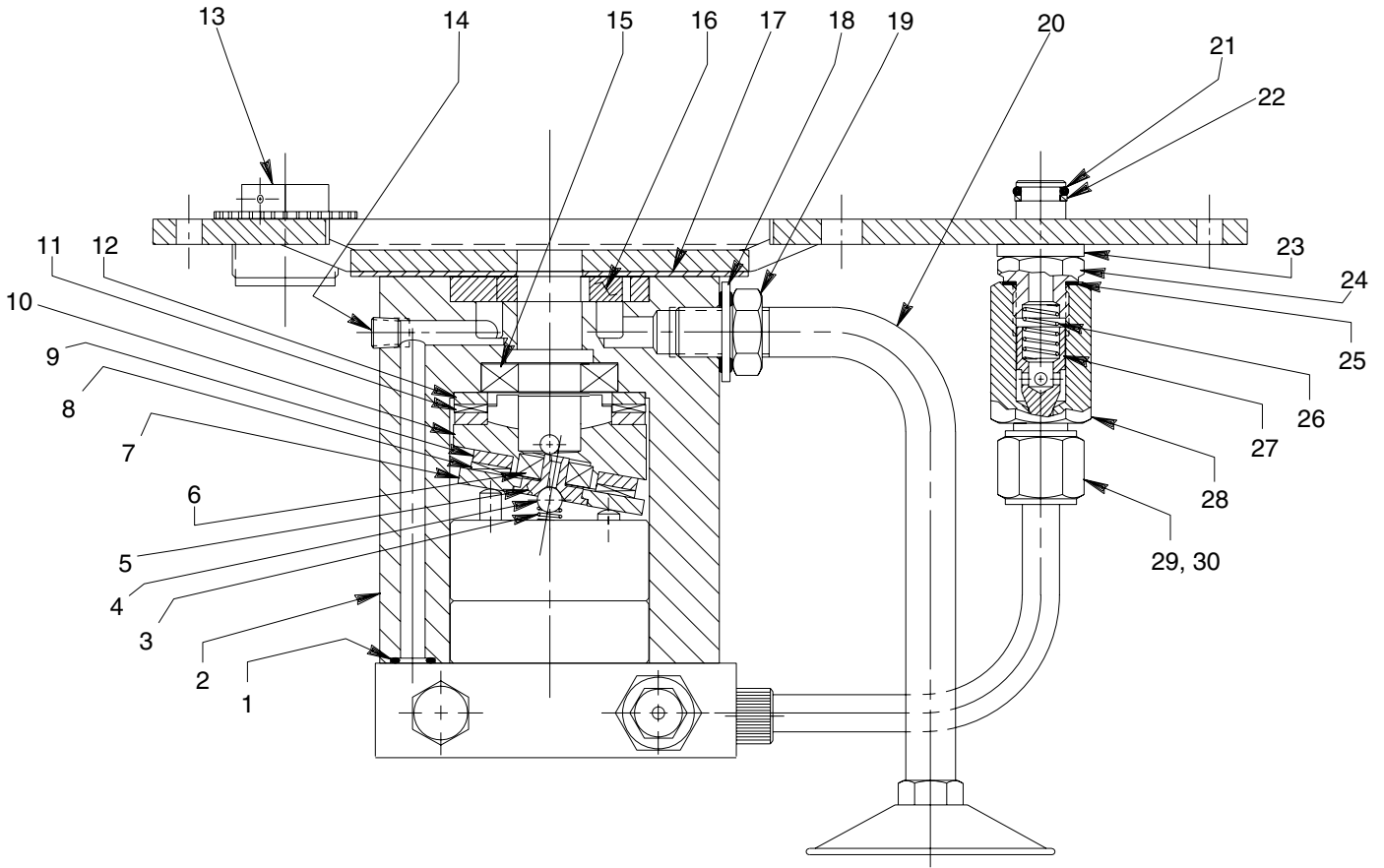
HYDRAULIC SCHEMATIC



Note: Shaded areas reflect last revision(s) made to this form.

BASIC PUMP ASSEMBLY
 (For all models except PE462A, PE462A-SMET, & PE462A-SMET-220)

SIDE VIEW



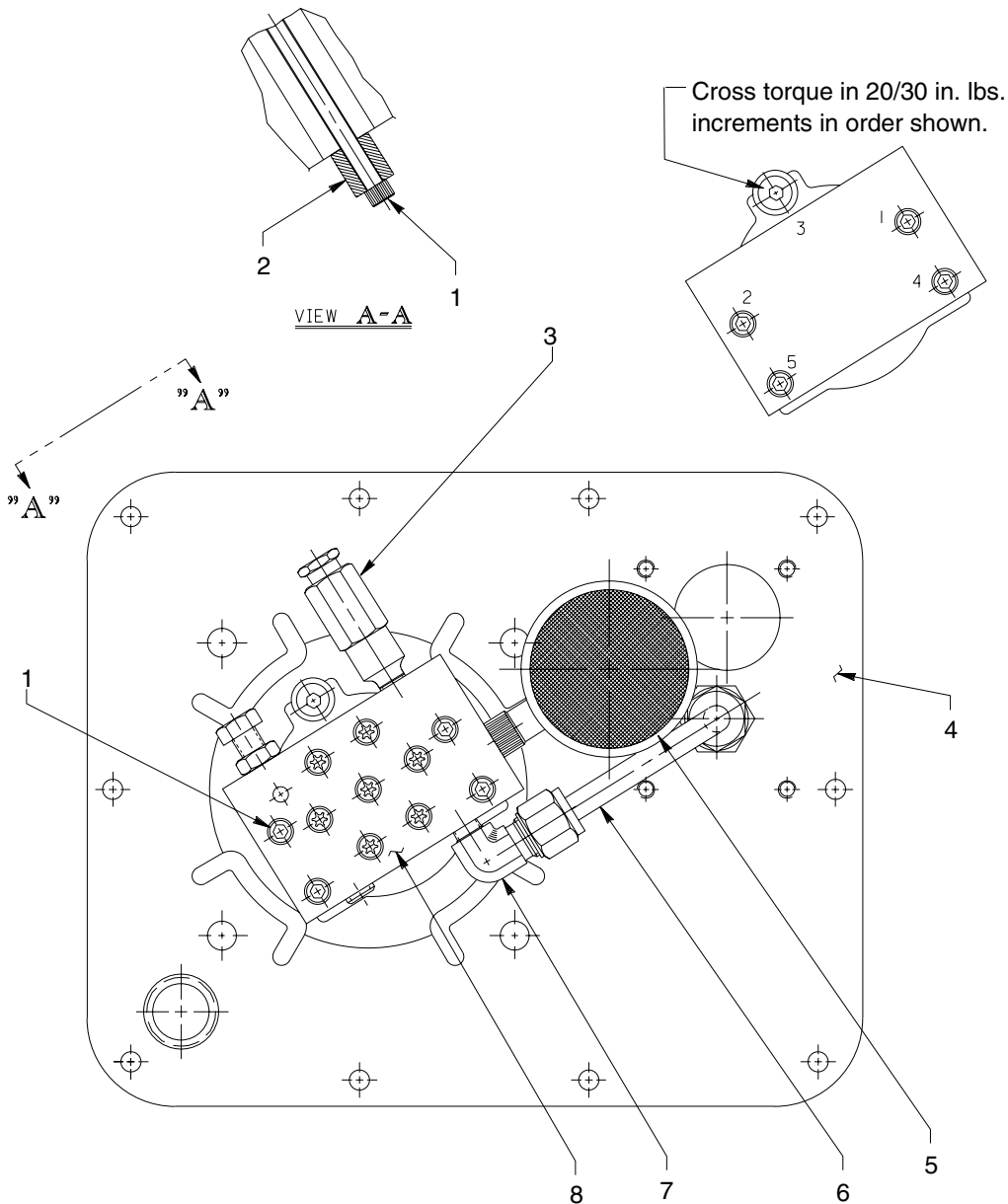
Item No.	Part No.	No. Req'd	Description
1	10267	1	O-ring (7/16 x 5/16 x 1/16)
2	52883	1	Pump Body
3	16320	1	Compression Spring (1/4 O.D. x 3/4 Lg.)
4	10375	1	Steel Ball (1/4 dia.)
5	23547	1	Top Plate Bearing
6	11814	1	Ball Bearing
7	23548	1	Top Plate
8	15431	1	Needle Thrust Bearing
9	15432	1	Needle Thrust Bearing Race
10	35271	1	Angle Plate
11	11228	1	Needle Thrust Bearing
12	11227	2	Needle Thrust Bearing Race
13	213706	1	Filler Cap
14	11084	1	Pipe Plug (1/16 NPTF; Torque to 35/45 in. lbs. oiled.)
15	15695	1	Ball Bearing
16	15693	1	Gerotor Set

Item No.	Part No.	No. Req'd	Description
17	307296	1	Wear Plate
18	213709	1	Washer Seal
19	10390	1	Nut (1/2-20 UNF)
20	213686	1	Intake Tube
21	10268	1	O-ring (1/2 x 3/8 x 1/16)
22	11863	1	Backup Washer (1/2 x 3/8 x 1/16)
23	21484	1	Washer
24	214762	1	Valve Connector (Torque to 20/30 ft. lbs.)
25	10261	1	Copper Washer (3/4 x 19/32 x 1/32)
26	10425	1	Compression Spring (3/8 O.D. x 3/4 Lg.)
27	20771	1	Poppet
28	201879	1	Check Valve Body
29	10430	1	Tube Sleeve
30	10431	1	Tube Nut (Torque to 40/50 ft. lbs. while holding Valve Connector [Item #24])

BASIC PUMP ASSEMBLY

(For all models except PE462A, PE462A-SMET, & PE462A-SMET-220)

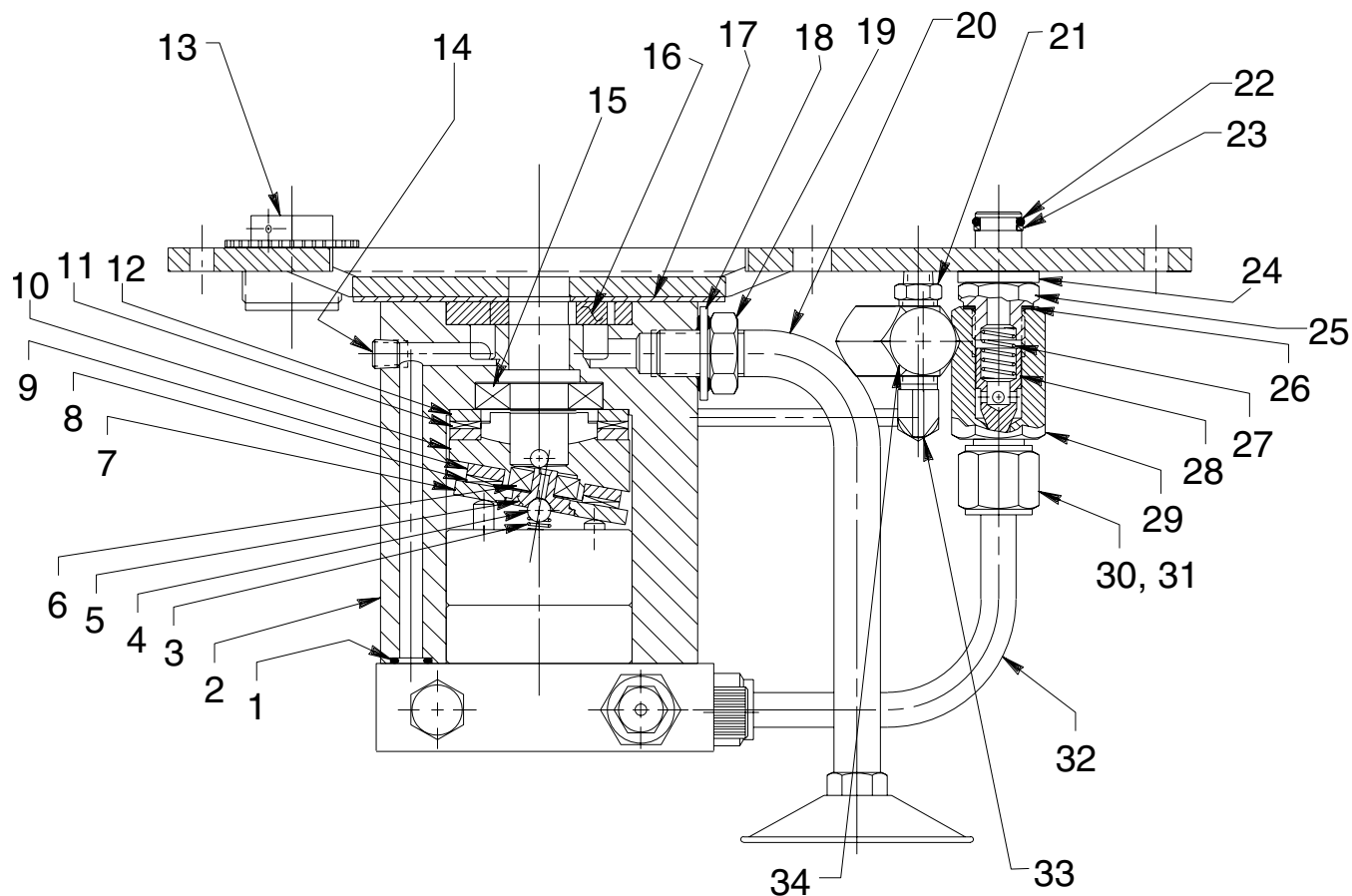
BOTTOM VIEW



Item No.	Part No.	No. Req'd	Description
1	15642	5	Cap Screw (1/4-20 x 5" Lg.; Torque to 55/65 in. lbs.)
2	214720	1	Spacer
3	21278	1	Relief Valve (For all models except PE462S-NU-TECH, PE462S-ACE, & PE464S-ROPER; Set at 10,100/10,700 PSI)
	21278-80	1	Relief Valve (For PE462S-NU-TECH; Set at 8,100/8,700 PSI)
	21278-70	1	Relief Valve (For PE462S-HWBODY; Set at 7,100/7,700 PSI)
	21278-60	1	Relief Valve (For PE462S-HWMAX; Set at 6,100/6,700 PSI)
	21278-55	1	Relief Valve (For PE462S-ACE; Set at 5,500/5,600 PSI)
	21278-48	1	Relief Valve (For PE464S-ROPER; Set at 4,900/5,300 PSI)
4	61566BK2	1	Cover
5	29682	1	Strainer
6	307459	1	Oil Line
7	10475	1	Elbow
8	36922	1	High Pressure Pump Assembly (See sheet 4 of 12)

BASIC PUMP ASSEMBLY
(For models PE462A, PE462A-SMET, & PE462A-SMET-220)

SIDE VIEW



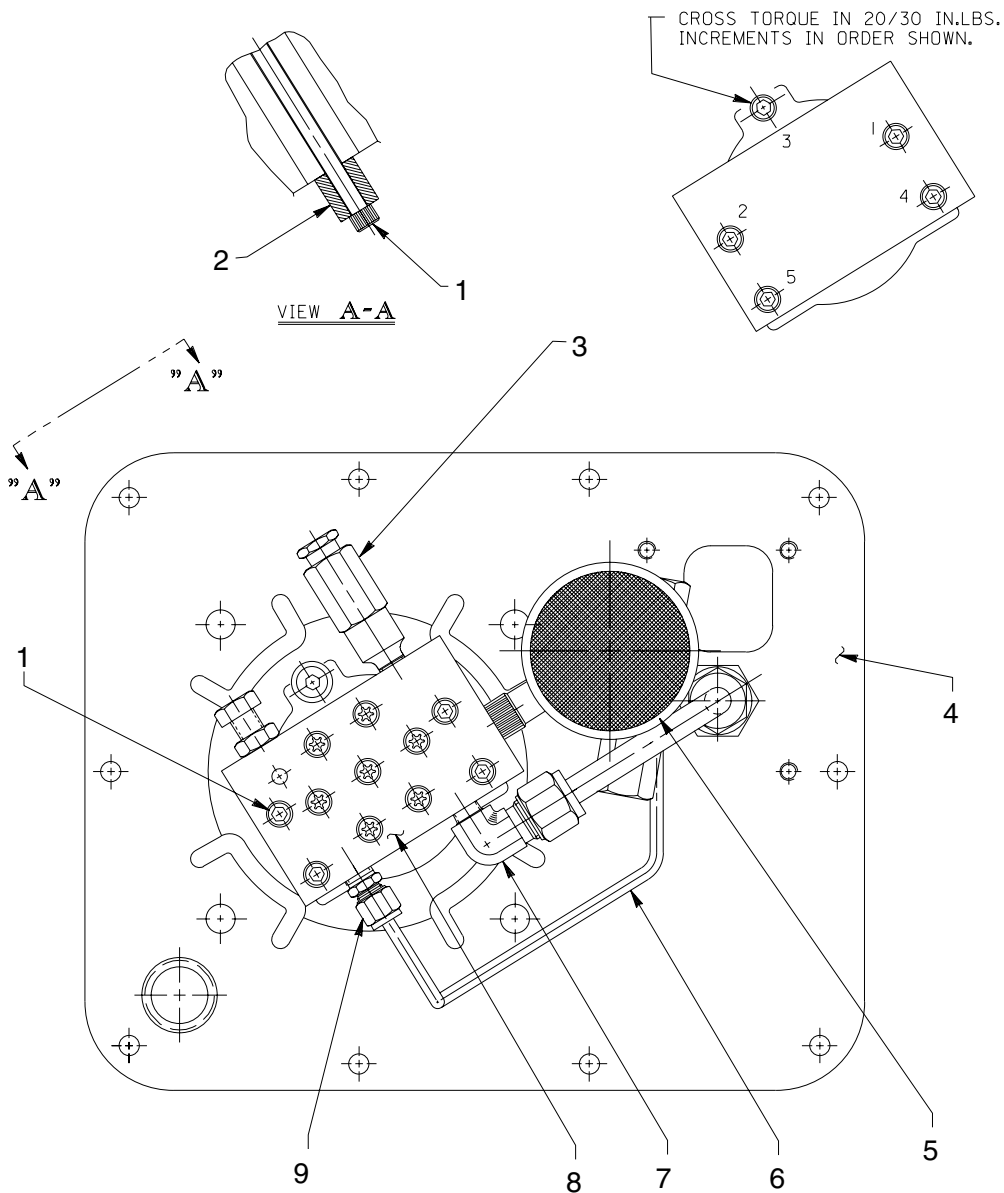
Item No.	Part No.	No. Req'd	Description
1	10267	1	O-ring (7/16 x 5/16 x 1/16)
2	52883	1	Pump Body
3	16320	1	Compression Spring (1/4 O.D. x 3/4 Lg.)
4	10375	1	Steel Ball (1/4 dia.)
5	23547	1	Top Plate Bearing
6	11814	1	Ball Bearing
7	23548	1	Top Plate
8	15431	1	Needle Thrust Bearing
9	15432	1	Needle Thrust Bearing Race
10	35271	1	Angle Plate
11	11228	1	Needle Thrust Bearing
12	11227	2	Needle Thrust Bearing Race
13	213706	1	Filler Cap
14	11084	1	Pipe Plug (1/16 NPTF; Torque to 35/45 in. lbs. oiled.)
15	15695	1	Ball Bearing
16	15693	1	Gerotor Set
17	307296	1	Wear Plate
18	213709	1	Washer Seal

Item No.	Part No.	No. Req'd	Description
19	10390	1	Nut (1/2-20 UNF)
20	213686	1	Intake Tube
21	215373	1	Straight Fitting
22	10268	1	O-ring (1/2 x 3/8 x 1/16)
23	11863	1	Backup Washer (1/2 x 3/8 x 1/16)
24	21484	1	Washer
25	214762	1	Valve Connector (Torque to 20/30 ft. lbs.)
26	10261	1	Copper Washer (3/4 x 19/32 x 1/32)
27	10425	1	Compression Spring (3/8 O.D. x 3/4 Lg.)
28	20771	1	Poppet
29	201879	1	Check Valve Body
30	10430	1	Tube Sleeve
31	10431	1	Tube Nut (Torque to 40/50 ft. lbs. while holding Valve Connector [Item #25])
32	307459	1	Oil Line Tube
33	11278	1	90° Fitting
34	21943	1	Accumulator Assembly

BASIC PUMP ASSEMBLY

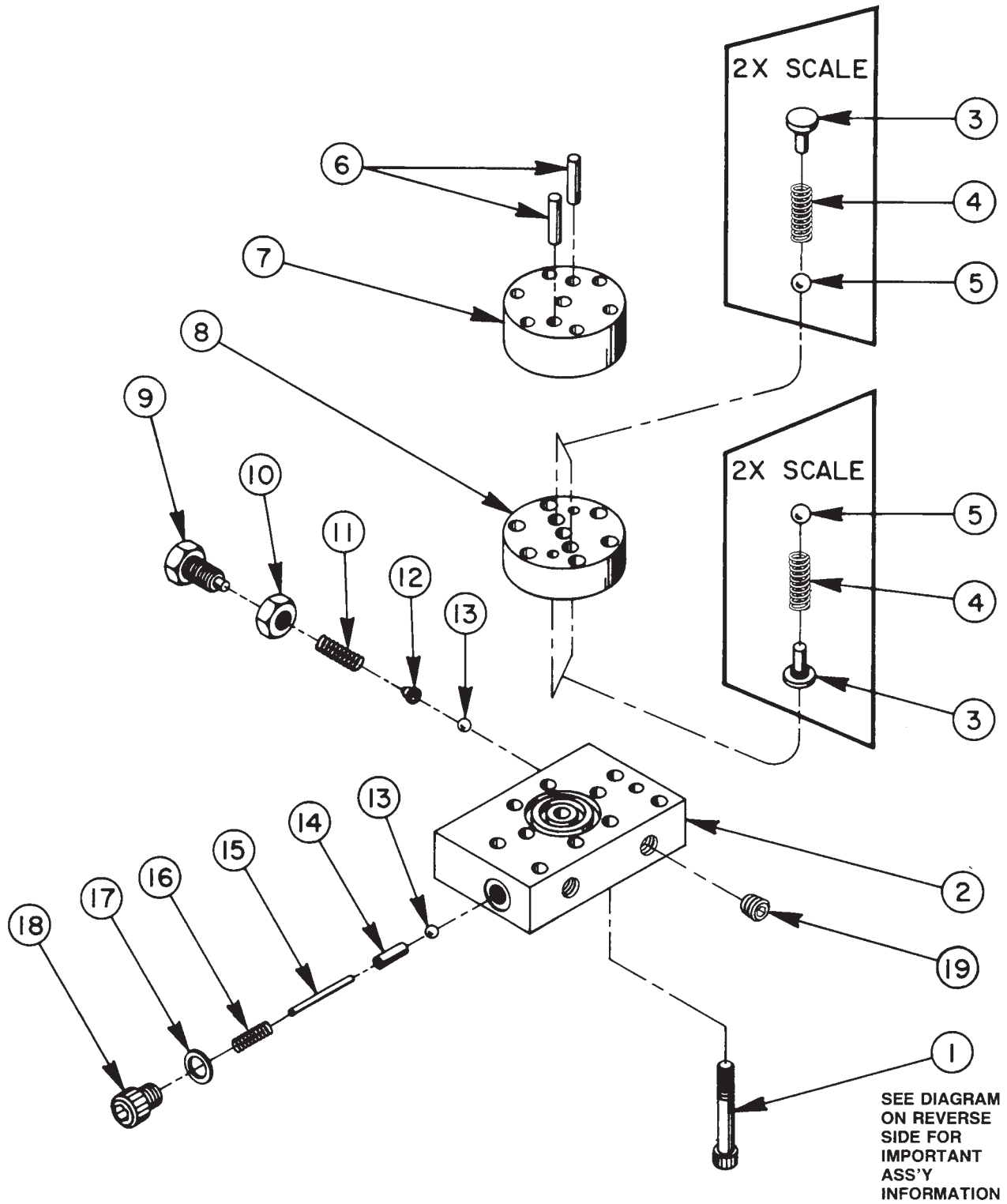
(For models PE462A, PE462A-SMET, & PE462A-SMET-220)

BOTTOM VIEW



Item No.	Part No.	No. Req'd	Description
1	15642	5	Cap Screw (1/4-20 x 5" Lg.; Torque to 55/65 in. lbs.)
2	214720	1	Spacer
3	21278	1	Relief Valve (For PE462A; Set at 10,100/10,700 PSI)
	21278-50	1	Relief Valve (For PE462A-SMET & PE462A-SMET-220; Set at 5,100/5,700 PSI)
4	47606	1	Cover
5	29682	1	Strainer
6	47607	1	Oil Line (Pilot)
7	10475	1	90° Elbow
8	36922	1	High Pressure Pump Assembly (See sheet 4 of 12)
9	11173	1	Straight Fitting

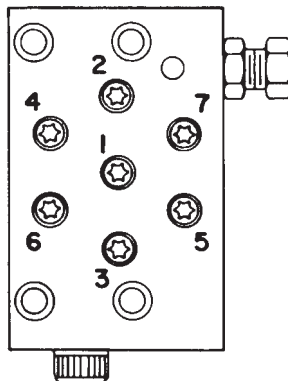
HIGH PRESSURE PUMP ASSEMBLY



Item No.	Part No.	No. Req'd	Description
1	*16747	7	Torx Drive Cap Screw (1/4-28 x 1-3/4 Lg.; See diagram below)
2	*36912	1	Pump End Plate
3	*24549	4	Valve Guide
4	*10445	4	Compression Spring (5/32 O.D. x 3/4 Lg.)
5	*12223	4	Steel Ball (3/16 dia.)
6	*20775	2	Piston
7	*41006	1	Pump Barrel
8	*41007	1	Valve Head
9	200797	1	Adjusting Screw
10	10386	1	Jam Nut (3/8-24)
11	15691	1	Compression Spring (1/4 O.D. x 5/8 Lg.)
12	200796	1	Adapter, Spring & Ball
13	10375	2	Steel Ball (1/4 dia.)
14	201998	1	Sleeve
15	12571	1	Roll Pin (1/8 dia. x 1-3/8 Lg.)
16	14431	1	Compression Spring (.197 O.D. x 3/4 Lg.)
17	12042	1	Copper Washer (9/16 x 3/8 x 1/32 thk.)
18	29690	1	Cap Screw (Torque to 180 in. lbs.)
19	10427	1	Pipe Plug (1/8 NPTF)

Consult factory when replacing items marked with an asterisk (*).

BOLT TIGHTENING SEQUENCE



**NOTE: Assemble in sequence shown. Lubricate under head on threads.
Torque to 170 in. lbs.**

Refer to any operating instructions included with this product for detailed information about operation, testing, disassembly, reassembly, and preventive maintenance.

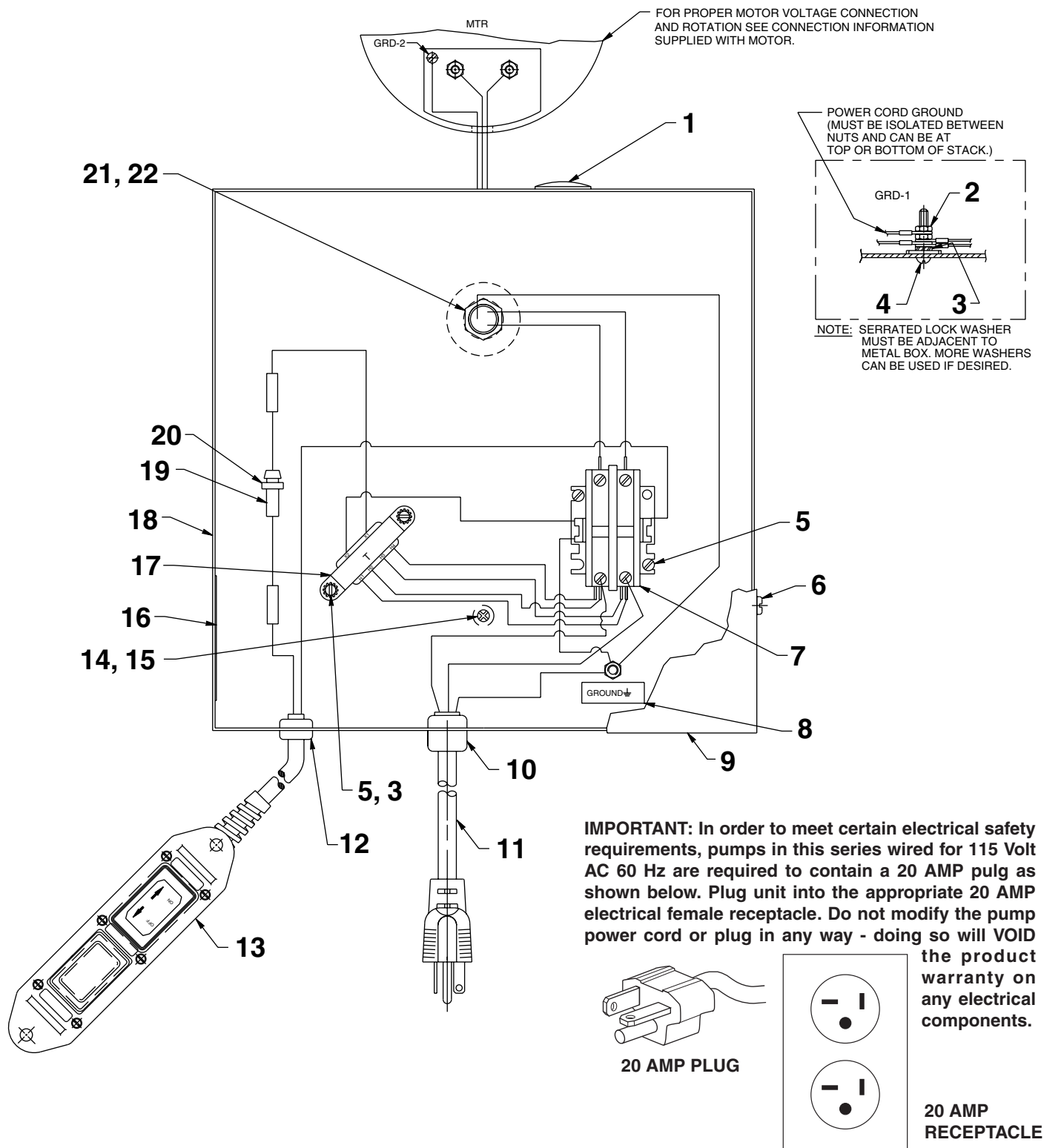
Items found in this parts list have been carefully tested and selected. **Therefore: Use only genuine replacement parts!**

Additional questions can be directed to our Technical Services Department.

ELECTRICAL CONTROL ASSEMBLY

115 Volt, 60 Hz., Single Phase

(For PE462, PE462A, PE464, 4055, 4057, PE462S-ACE & PE462A-SMET)



Item No.	Part No.	No. Req'd	Description
1	17782	1	Snap Button
2	10197	2	Hex Nut (#10-24)
3	11108	3	Lockwasher (#10)
4	11856	1	Screw (#10-24 x 1" Lg.)
5	11539	4	Rd. Hd. Machine Screw (#10-24 UNC x 1/4 Lg.)
6	14812	4	Screw
7	420718-4	1	Contactor
8	205189	1	Decal (Ground)
9	43126WH2	1	Control Box Cover
10	210112	1	Strain Relief Bushing
11	350155	1	Cord Set (8 ft. lg.; 12/3 SJTO; 115 V.)
	307439	20'	Electrical Cable (12/3 SJO; 115 V.; For PE462S-ACE)
	252250	1	Electrical Plug (For PE462S-ACE)

Item No.	Part No.	No. Req'd	Description
12	15993	1	Strain Relief Bushing
13	25017	1	Remote Hand Switch (See Form No. 101644)
14	13532	1	Pan Hd. Self-tapping Screw
15	206857	1	Washer
16	250150	1	Decal
17	305665	1	Transformer
18	51218WH2	1	Control Box
19	206962	1	Fuse (3A)
20	16887	1	Fuse Holder
21	11202	1	Connector
22	212434	1	Conduit Lockwasher

PARTS INCLUDED BUT NOT SHOWN

200188	1	Warning Decal
--------	---	---------------

ELECTRICAL SCHEMATIC

115 Volt, 60 Hz., Single Phase

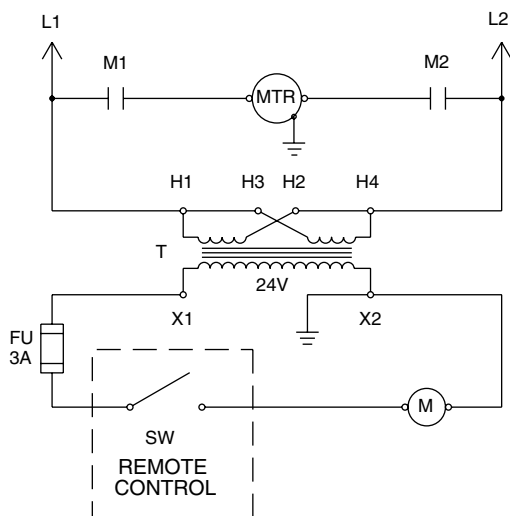


WARNING

To help avoid personal injury, all electrical work must be done by a qualified electrician.

North American & International Color Codes

Conductors	North American	International
Line	Black.....	Brown
Neutral	White	Blue
Ground	Green	Green/Yellow



NOTE: CCW Rotation form lead end.

Transformer connections are as shown for 115 V. - 60 Hz.

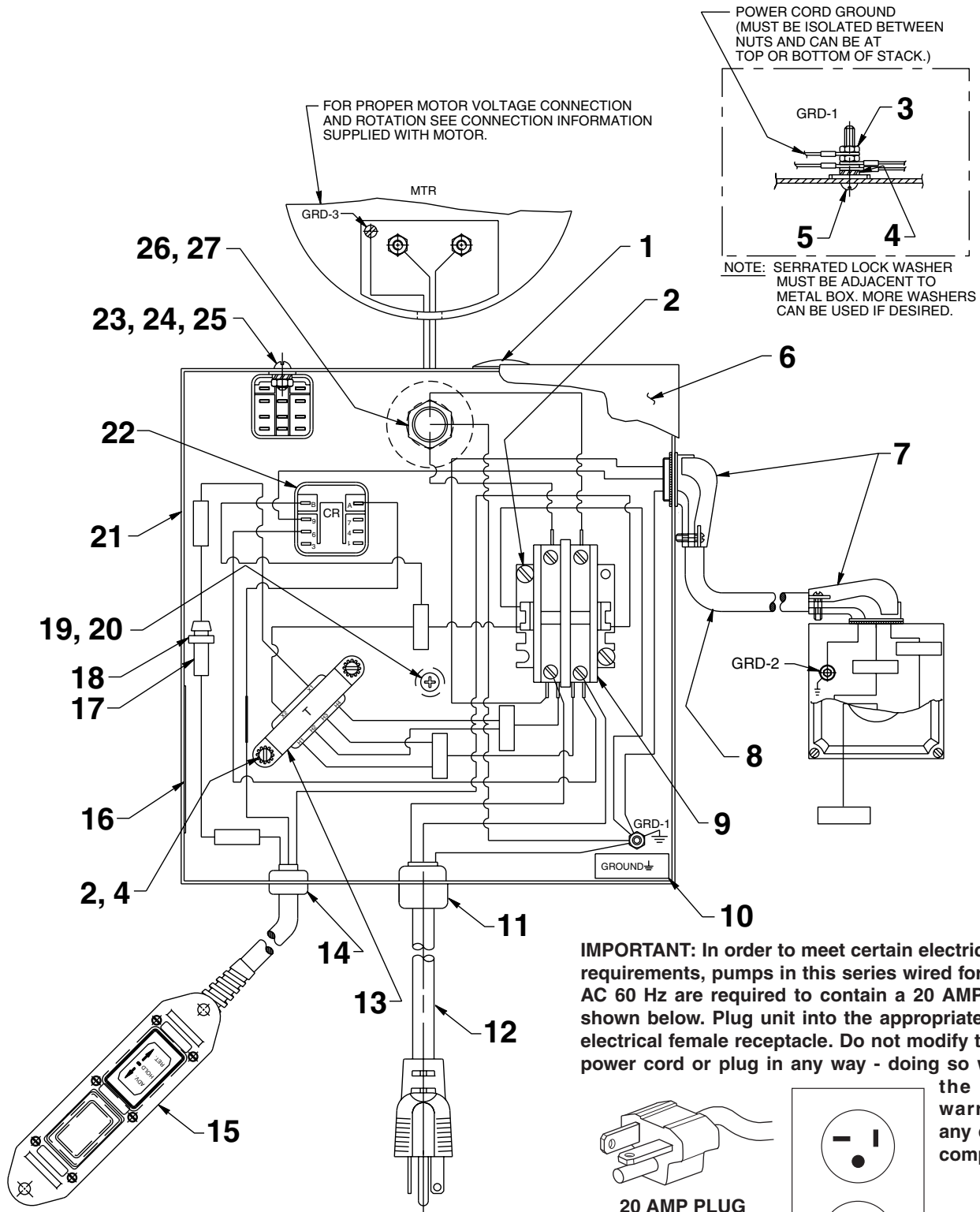
For 230 V. - 60 Hz. Units, Transformer connections to be as follows:

- H1 to L1
- H2 to H3
- H4 to L2

ELECTRICAL CONTROL ASSEMBLY

115 Volt, 60 Hz., Single Phase

(For PE462S, PE462S-NU-TECH, PE462S-230, PE462S-HWBODY, PE462S-HWMAX & 4056)



Item No.	Part No.	No. Req'd	Description
1	17782	1	Snap Button
2	11539	6	Rd. Hd. Machine Screw (#10-24 UNC x 1/4 Lg.)
3	10197	2	Hex Nut (#10-24)
4	11108	3	Lockwasher (#10)
5	11856	1	Screw (#10-24 x 1" Lg.)
6	43126WH2	1	Control Box Cover
7	11144	2	Electrical 90° Connector
8	12293	2.54'	Electrical Cable (16/3 SJTO)
9	420718-4	1	Contacto
10	205189	1	Decal (Ground)
11	210112	1	Strain Relief Bushing
12	307440	1	Cord Set (12/3 SJTO; 115 V.)
	308752	8'	Electric Cord (14/3 SJTO; 220 V.)
13	305665	1	Transformer
14	15993	1	Strain Relief Bushing
15	307491	1	Remote Control Hand Switch (See back sheet 12 of 12)

Item No.	Part No.	No. Req'd	Description
16	250150	1	Decal
17	206962	1	Fuse (3A)
18	16887	1	Fuse Holder
19	13532	1	Pan Hd. Self-tapping Screw
20	206857	1	Washer
21	51218WH2	1	Control Box
22	39092	1	Relay
23	10159	2	Screw (#6-32 x 5/16 Lg.)
24	10195	2	Hex Nut (#6-32)
25	15906	2	Lockwasher (#6)
26	11202	1	Electrical Connector
27	11362	1	Conduit Lockwasher

PARTS INCLUDED BUT NOT SHOWN

200188	1	Warning Decal
14812	4	Screw (Use to mount control box cover to box body.)

ELECTRICAL SCHEMATIC

115 Volt, 60 Hz., Single Phase

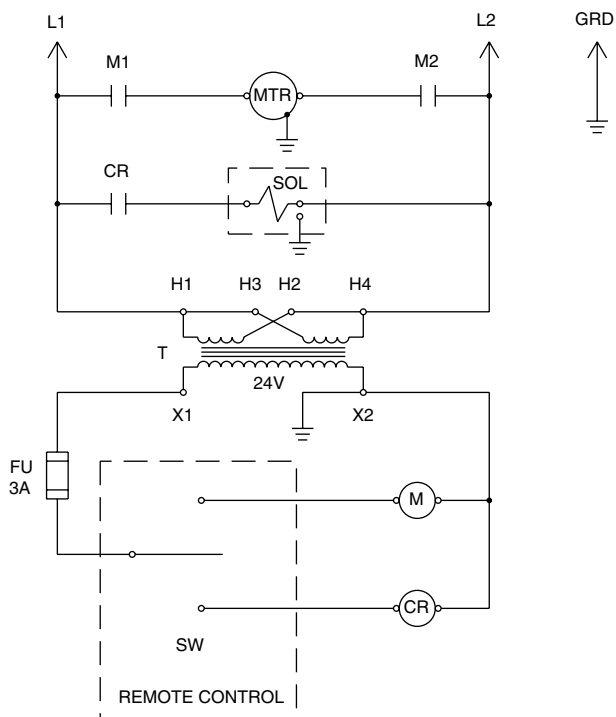


WARNING

To help avoid personal injury, all electrical work must be done by a qualified electrician.

North American & International Color Codes

Conductors	North American	International
Line	Black.....	Brown
Neutral	White	Blue
Ground	Green	Green/Yellow



NOTE: CCW Rotation form lead end.

Transformer connections are as shown for 115 V. - 60 Hz.

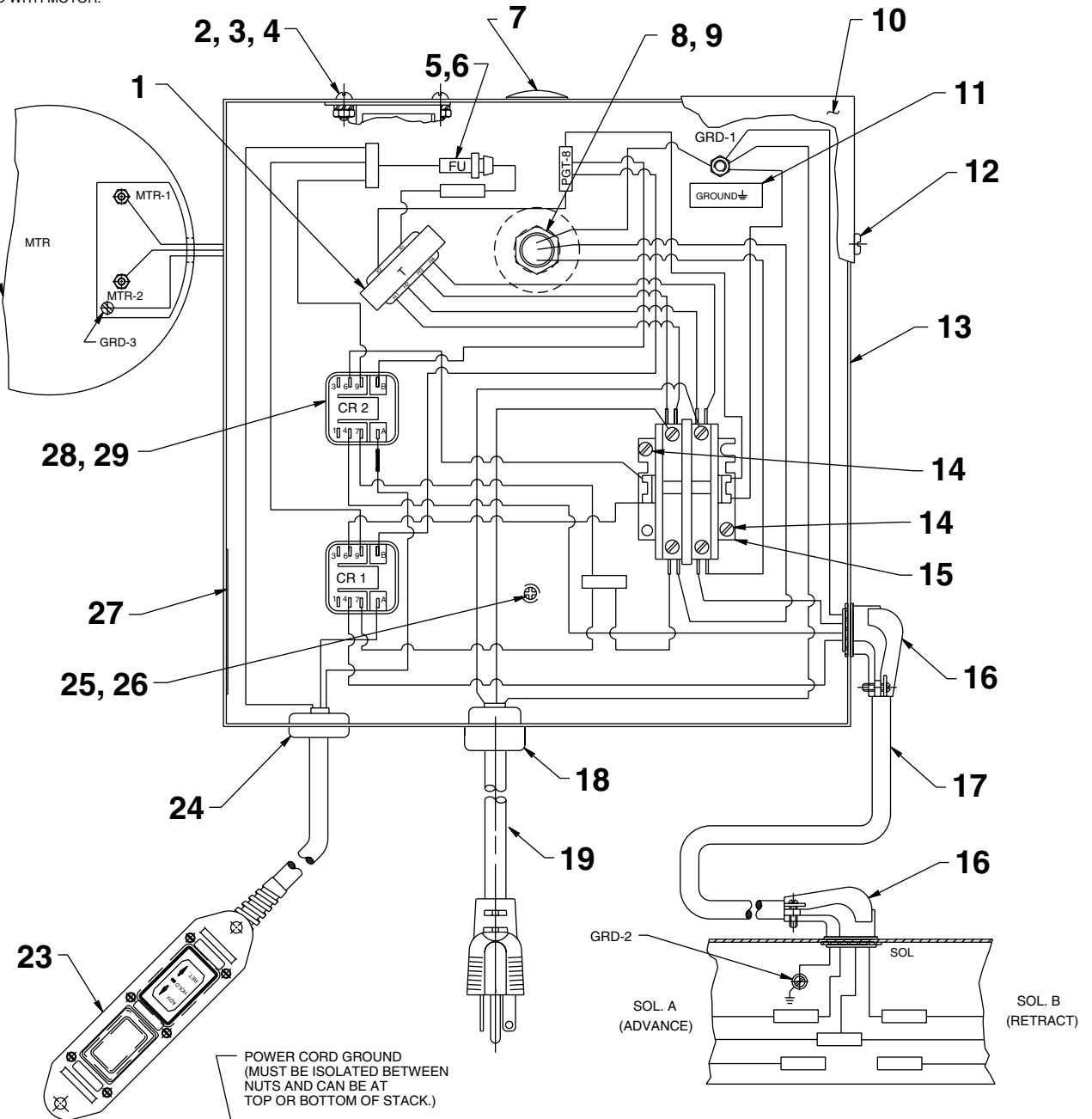
For 230 V. - 60 Hz. Units, Transformer connections to be as follows:

- H1 to L1
- H2 to H3
- H4 to L2

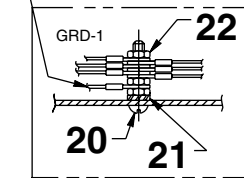
ELECTRICAL CONTROL ASSEMBLY

230 Volt, 60 Hz., Single Phase
(For PE464S & PE464S-230)

FOR PROPER MOTOR VOLTAGE CONNECTION
AND ROTATION SEE CONNECTION INFORMATION
SUPPLIED WITH MOTOR.



POWER CORD GROUND
(MUST BE ISOLATED BETWEEN
NUTS AND CAN BE AT
TOP OR BOTTOM OF STACK.)



NOTE: SERRATED LOCK WASHER
MUST BE ADJACENT TO
METAL BOX. MORE WASHERS
CAN BE USED IF DESIRED.

Item No.	Part No.	No. Req'd	Description
1	305665	1	Transformer
2	10159	2	Screw (#6-32 x 5/16 Lg.)
3	15906	2	Lockwasher (#6)
4	10195	2	Hex Nut (#6-32)
5	206962	1	Fuse (3A)
6	16887	1	Fuse Holder
7	17782	1	Snap Button
8	11202	1	Electrical Connector
9	212434	1	Conduit Locknut
10	43126WH2	1	Control Box Cover
11	205189	1	Decal (Ground)
12	14812	4	Screw
13	51218WH2	1	Control Box
14	11539	2	Rd. Hd. Machine Screw (#10-24 UNC x 1/4 Lg.)
15	420718-4	1	Contact
16	11144	2	Electrical 90° Connector
17	15565	27.5"	Electrical Cord (16/4 SO)

Item No.	Part No.	No. Req'd	Description
18	210112	1	Strain Relief Bushing
19	350155	1	Cord Set (12/3 SJTO; 115 V.)
	39273	1	Cord Set (14/3 SJTO; 230 V.)
20	11856	1	Screw (#10-24 x 1" Lg.)
21	11108	1	Lockwasher (#10)
22	10197	3	Hex Nut (#10-24)
23	202778	1	Remote Control Hand Switch (See Form No. 101644)
24	15993	1	Strain Relief Bushing
25	13532	1	Pan Hd. Self-tapping Screw
26	206857	1	Washer
27	250150	1	Decal
28	39092	2	Relay
29	11539	2	Machine Screw (#10-24 x 1/4 Lg.)

PARTS INCLUDED BUT NOT SHOWN

200188 1 Warning Decal

ELECTRICAL SCHEMATIC

230 Volt, 60 Hz., Single Phase

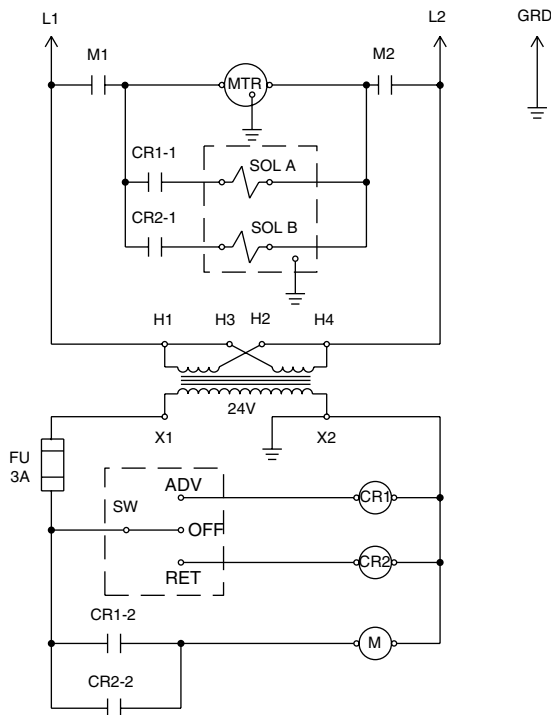


WARNING

To help avoid personal injury, all electrical work must be done by a qualified electrician.

North American & International Color Codes

Conductors	North American	International
Line	Black.....	Brown
Neutral	White	Blue
Ground	Green	Green/Yellow



NOTE: CCW Rotation form lead end.

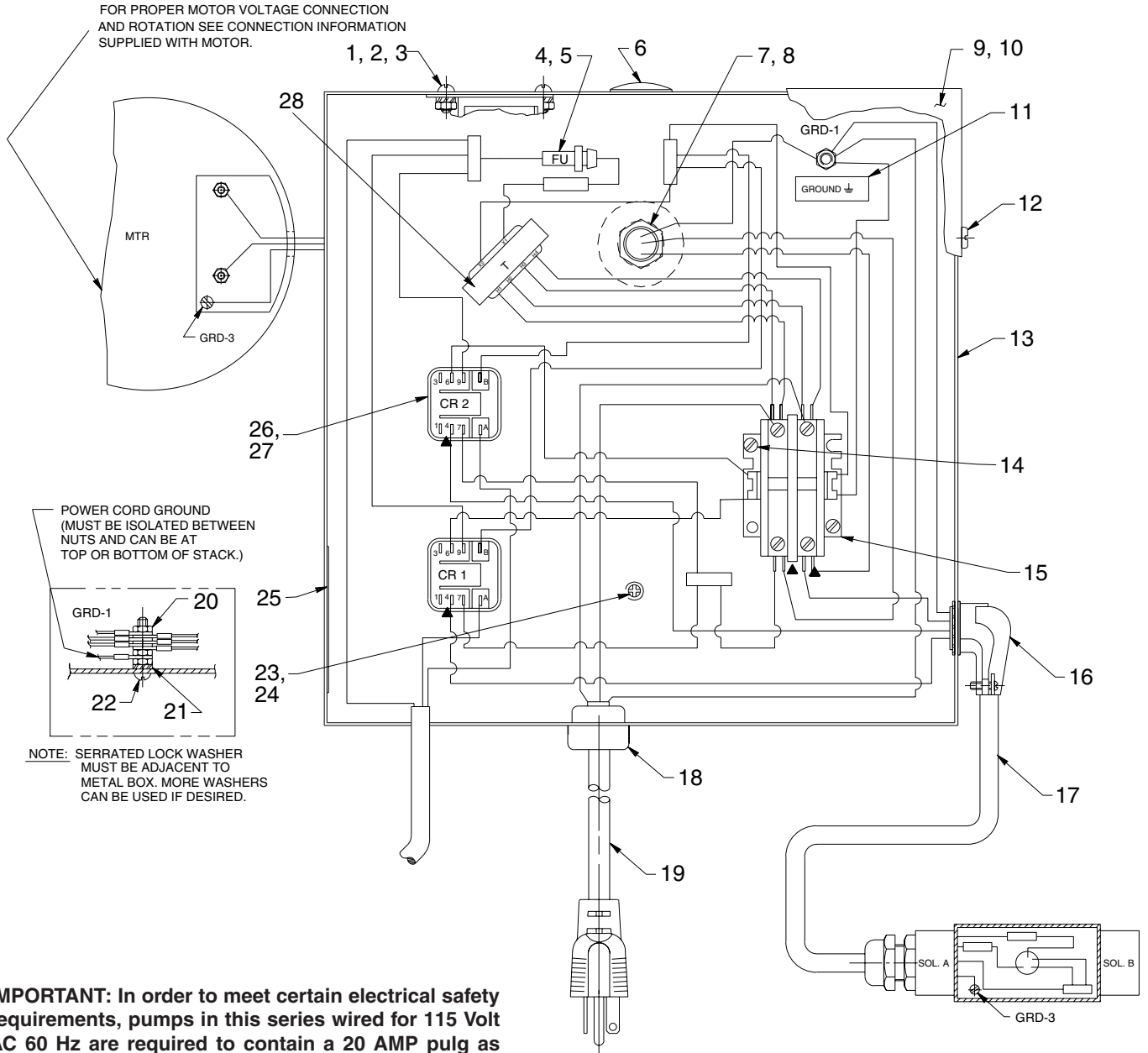
Transformer connections are as shown for 115 V. - 60 Hz.

For 230 V. - 60 Hz. Units, Transformer connections to be as follows:

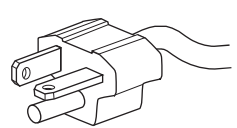
- H1 to L1
- H2 to H3
- H4 to L2

ELECTRICAL CONTROL ASSEMBLY

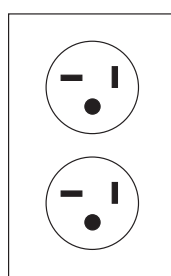
115 Volt, 60 Hz., Single Phase
(For PE464S-ROPER)



IMPORTANT: In order to meet certain electrical safety requirements, pumps in this series wired for 115 Volt AC 60 Hz are required to contain a 20 AMP plug as shown below. Plug unit into the appropriate 20 AMP electrical female receptacle. Do not modify the pump power cord or plug in any way - doing so will VOID the product warranty on any electrical components.



20 AMP PLUG



20 AMP RECEPTACLE

Item No.	Part No.	No. Req'd	Description
1	10159	2	Screw (#6-32 x 5/16 Lg.)
2	15906	2	Lockwasher (#6)
3	10195	2	Hex Nut (#6-32)
4	16887	1	Fuse Holder
5	250442	1	Fuse
6	17782	1	Snap Button
7	212434	1	Conduit Locknut
8	11202	1	Electrical Connector
9	43126WH2	1	Control Box Cover
10	200188	1	Warning Decal
11	205189	1	Decal (Ground)
12	14812	4	Screw
13	51218WH2	1	Control Box
14	10166	2	Rd. Hd. Machine Screw (#10-24 UNC x 1/2 Lg.)

Item No.	Part No.	No. Req'd	Description
15	420718-4	1	Contactor
16	11144	2	Electrical 90° Connector
17	15565	2.3'	Electrical Cord (16/4 SO)
18	210112	1	Strain Relief Bushing
19	350155	1	Cord Set (12/3 SJTO; 115 V.)
20	10197	3	Hex Nut (#10-24)
21	11108	3	Lockwasher (#10)
22	11856	1	Screw (#10-24 x 1" Lg.)
23	13532	1	Pan Hd. Self-tapping Screw
24	206857	1	Washer
25	250440	1	Decal
26	39092	2	Relay
27	11539	4	Machine Screw (#10-24 x 1/4 Lg.)
28	305665	1	Transformer

ELECTRICAL SCHEMATIC

115 Volt, 60 Hz., Single Phase

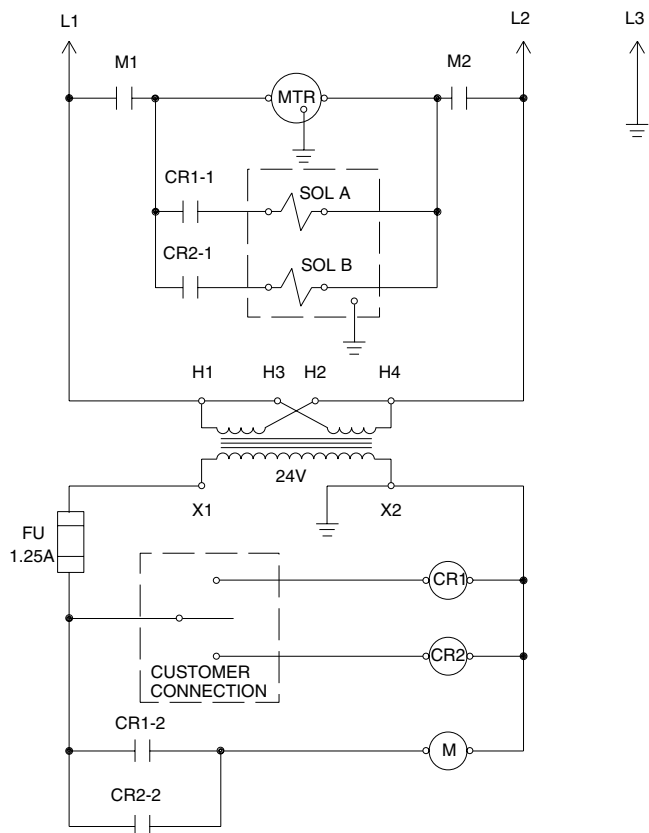


WARNING

To help avoid personal injury, all electrical work must be done by a qualified electrician.

North American & International Color Codes

Conductors	North American	International
Line	Black	Brown
Neutral	White	Blue
Ground	Green	Green/Yellow



NOTE: CCW Rotation form lead end.

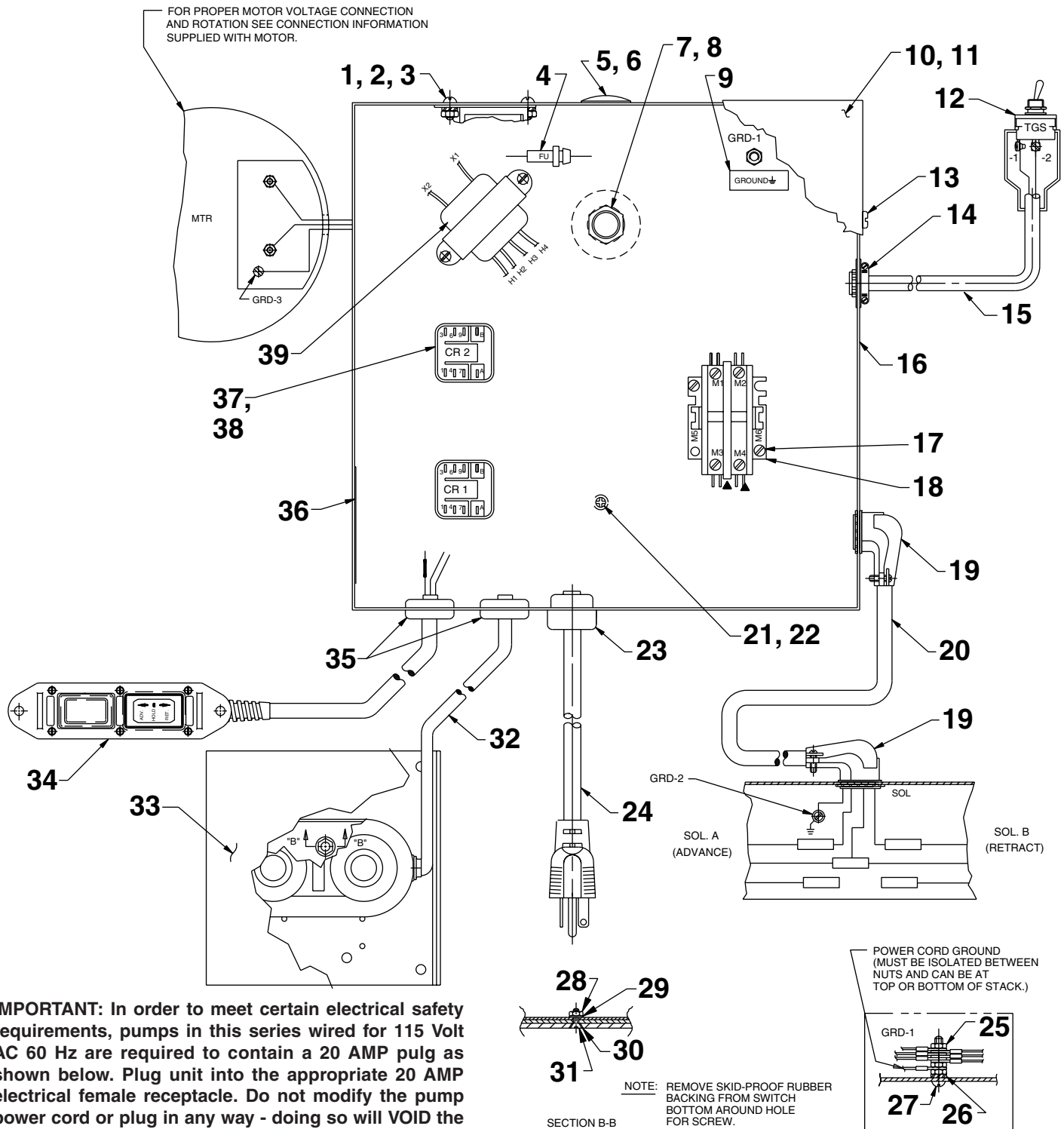
Transformer connections are as shown for 115 V. - 60 Hz.

For 230 V. - 60 Hz. Units, Transformer connections to be as follows:

- H1 to L1
- H2 to H3
- H4 to L2

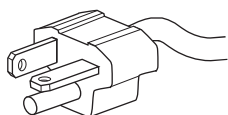
ELECTRICAL CONTROL ASSEMBLY

115 Volt, 60 Hz., Single Phase
(For PE464S-CUP)

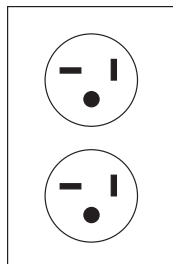


IMPORTANT: In order to meet certain electrical safety requirements, pumps in this series wired for 115 Volt AC 60 Hz are required to contain a 20 AMP plug as shown below. Plug unit into the appropriate 20 AMP electrical female receptacle. Do not modify the pump power cord or plug in any way - doing so will VOID the

product warranty on any electrical components.



20 AMP PLUG



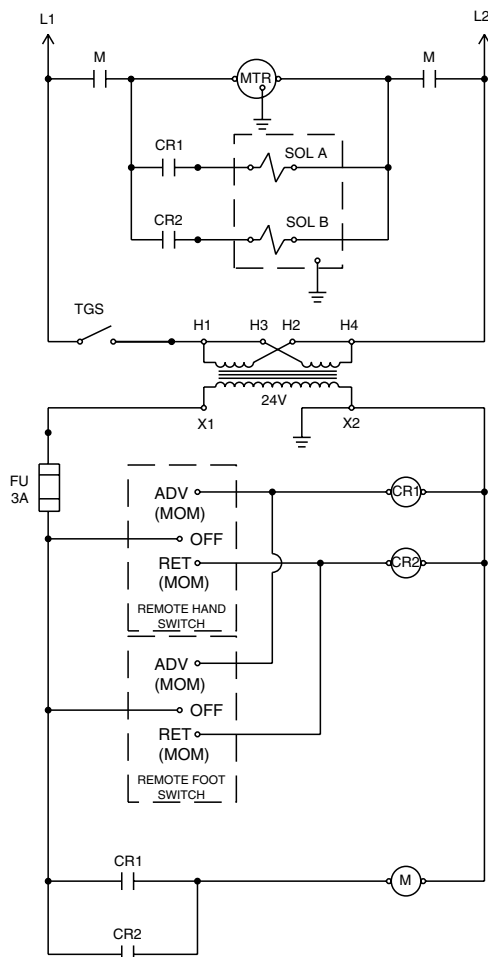
20 AMP RECEPTACLE

Parts List, Form No. 101202, Back sheet 9 of 12

Item No.	Part No.	No. Req'd	Description	Item No.	Part No.	No. Req'd	Description
1	10159	2	Screw (#6-32 x 5/16 Lg.)	21	13532	1	Pan Hd. Self-tapping Screw
2	15906	2	Lockwasher (#6)	22	206857	1	Washer
3	10195	2	Hex Nut (#6-32)	23	210112	1	Strain Relief Bushing
4	250442	1	Fuse	24	350155	1	Cord Set (8' LG.; 12/3 SJTO; 115 V.)
5	16887	1	Fuse Holder	25	10197	4	Hex Nut (#10-24)
6	17782	1	Snap Button	26	11108	1	Lockwasher (#10)
7	11202	1	Electrical Connector	27	11856	2	Screw (#10-24 x 1" Lg.)
8	212434	1	Conduit Locknut	28	10196	1	Hex Nut (#8-32 UNC)
9	205189	1	Decal (Ground)	29	11388	1	Lockwasher (#8 External Tooth)
10	43126WH2	1	Control Box Cover	30	17644	1	Lockwasher (#8 External Tooth)
11	200188	1	Warning Decal	31	10962	1	Machine Screw (8-32 UNC x 1/2 Lg.)
12	12301	1	Toggle Switch	32	309653	1	Remote Foot Control
13	14812	4	Tap Screw	33	251890	1	Full Guard
14	11203	1	Conduit Connector	34	202778	1	Remote Hand Control (See Form No. 101644)
15	11423	3.5'	Cable (18/2 SJTO)	35	15993	2	Strain Relief Bushing
16	51218WH2	1	Control Box	36	250440	1	Decal
17	10166	2	Rd. Hd. Machine Screw (#10-24 UNC x 1/2 Lg.)	37	39092	2	Relay
18	420718-4	1	Contactor	38	11539	4	Machine Screw (#10-24 x 1/4 Lg.)
19	11144	2	Electrical 90° Connector	39	305665	1	Transformer
20	15565	2.3'	Electrical Cord (16/4 SO)				

ELECTRICAL SCHEMATIC

115 Volt, 60 Hz., Single Phase



NOTE: CCW Rotation form lead end.

Transformer connections are as shown for 115 V. - 60 Hz.

For 230 V. - 60 Hz. Units, Transformer connections to be as follows:

- H1 to L1
- H2 to H3
- H4 to L2



WARNING

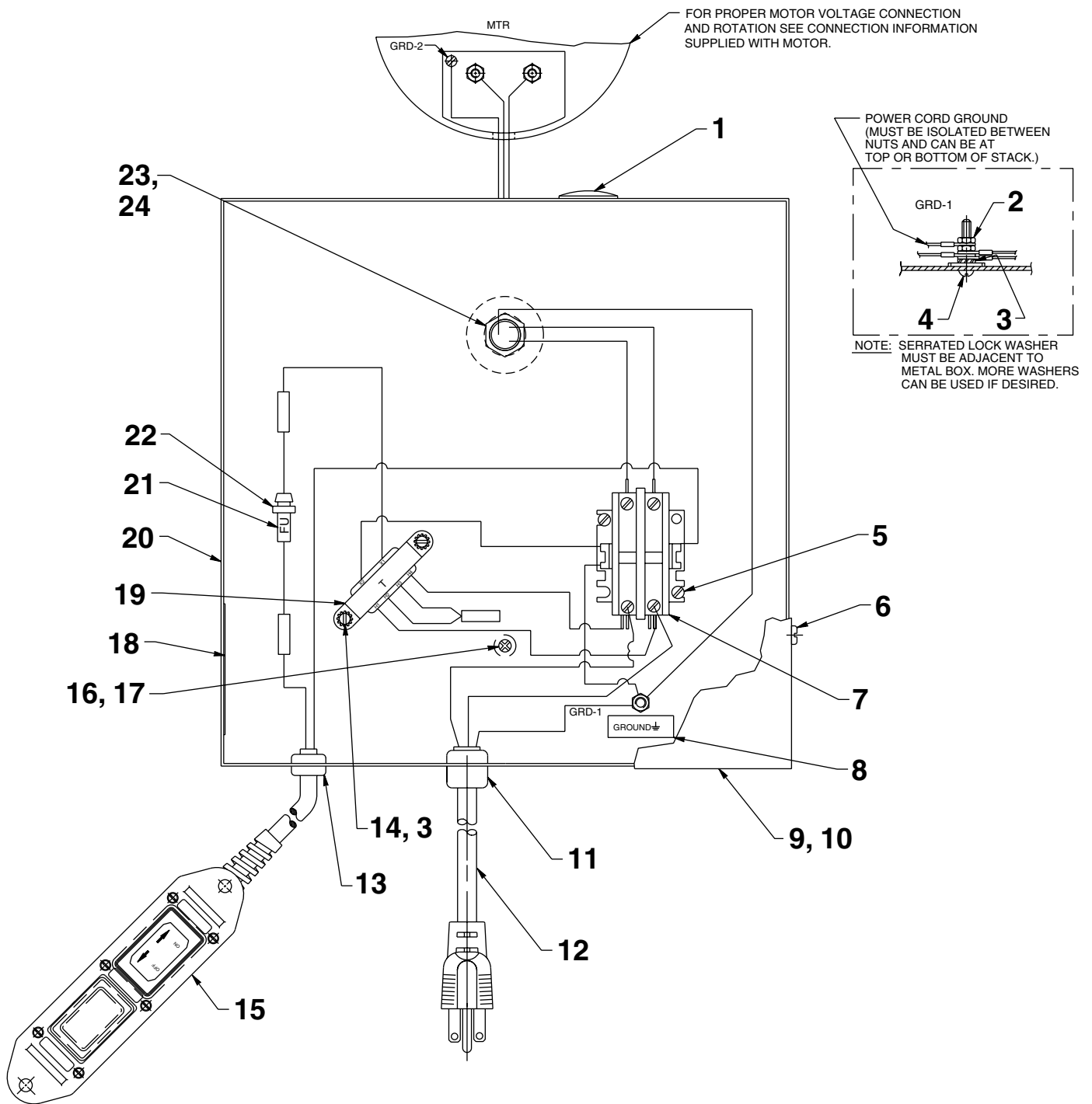
To help avoid personal injury, all electrical work must be done by a qualified electrician.

North American & International Color Codes

Conductors	North American	International
Line	Black	Brown
Neutral	White	Blue
Ground	Green	Green/Yellow

ELECTRICAL CONTROL ASSEMBLY

230 Volt, 60 Hz., Single Phase
(For PE464S-230)



Item No.	Part No.	No. Req'd	Description	Item No.	Part No.	No. Req'd	Description
1	17782	1	Snap Button	13	15993	1	Strain Relief Bushing
2	10197	2	Hex Nut (#10-24)	14	11539	2	Screw (#10-24 X 1/4 Lg.)
3	11108	3	Lockwasher (#10)	15	25017	1	Remote Hand Switch (See Form No. 101644)
4	11856	1	Screw (#10-24 x 1" Lg.)	16	13532	1	Screw (#8-32 x 3/8 Lg.)
5	10166	4	Rd. Hd. Machine Screw (#10-24 UNC x 1/2 Lg.)	17	206857	1	Washer
6	14812	4	Screw	18	250150	1	Decal
7	420718-4	1	Contacting	19	305665	1	Transformer
8	205189	1	Decal (Ground)	20	51218WH2	1	Control Box
9	43126WH2	1	Control Box Cover	21	206962	1	Fuse (3A)
10	200188	1	Warning Decal	22	16887	1	Fuse Holder
11	210112	1	Strain Relief Bushing	23	11202	1	Connector
12	39273	8'	Cord (14/3 SJTO)	24	212434	1	Conduit Lockwasher

ELECTRICAL SCHEMATIC

230 Volt, 60 Hz., Single Phase

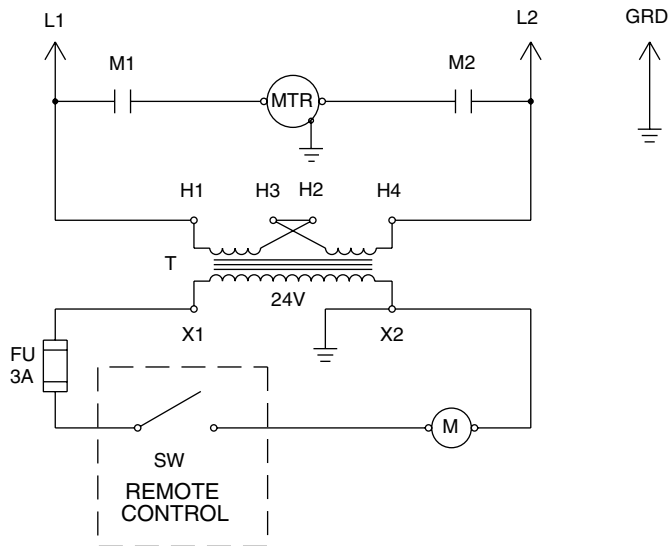


WARNING

To help avoid personal injury, all electrical work must be done by a qualified electrician.

North American & International Color Codes

Conductors	North American	International
Line	Black.....	Brown
Neutral	White	Blue
Ground	Green	Green/Yellow

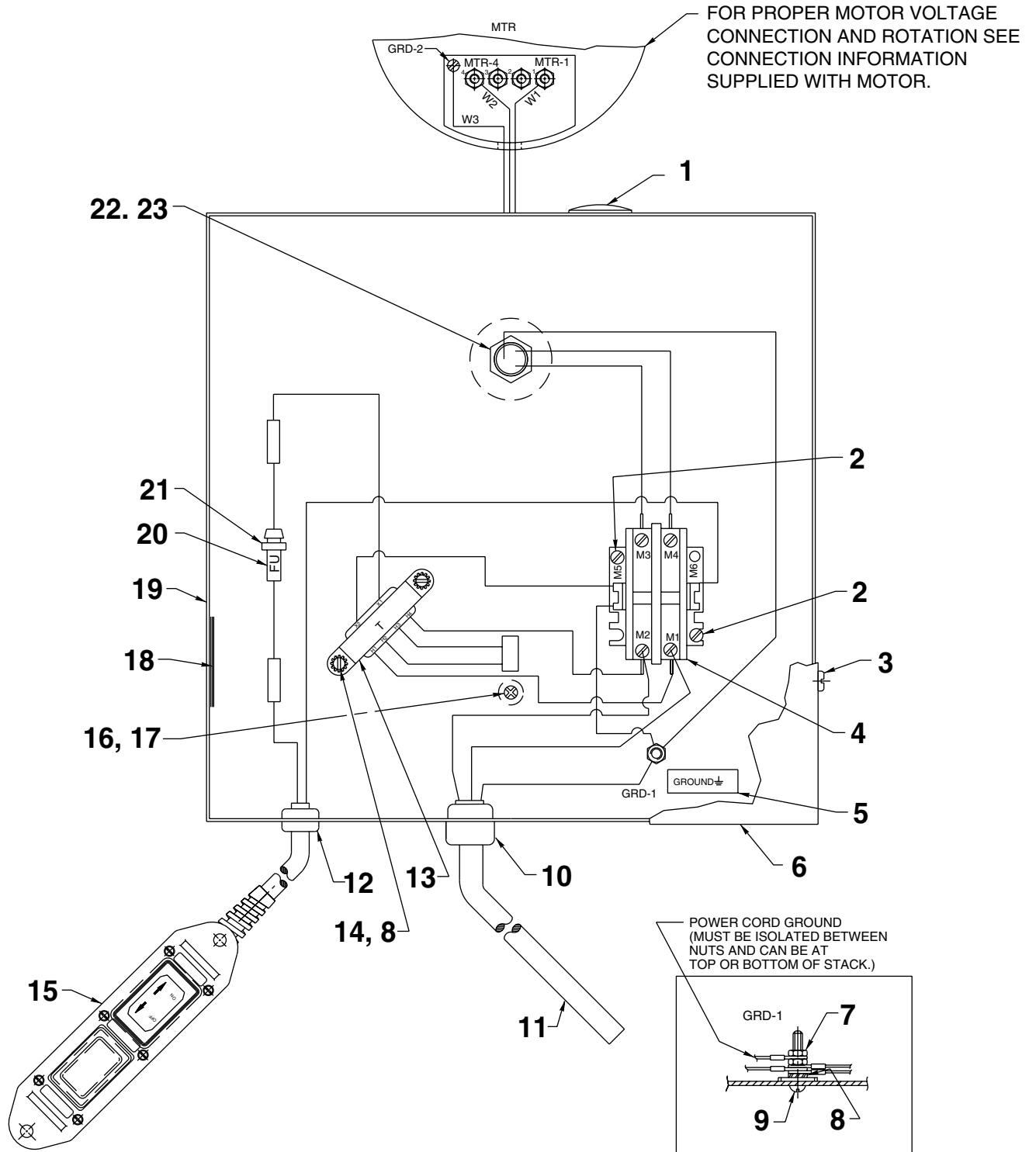


NOTE: CCW Rotation form lead end.

Transformer connections are as shown for 230 V. - 60 Hz.

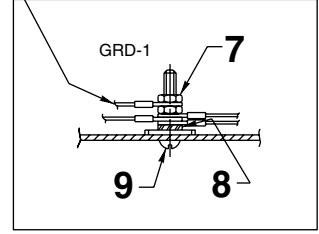
ELECTRICAL CONTROL ASSEMBLY

220 Volt, 50 Hz., Single Phase
(For PE462A-SMET-220)



FOR PROPER MOTOR VOLTAGE CONNECTION AND ROTATION SEE CONNECTION INFORMATION SUPPLIED WITH MOTOR.

POWER CORD GROUND (MUST BE ISOLATED BETWEEN NUTS AND CAN BE AT TOP OR BOTTOM OF STACK.)



NOTE: SERRATED LOCK WASHER MUST BE ADJACENT TO METAL BOX. MORE WASHERS CAN BE USED IF DESIRED.

Item No.	Part No.	No. Req'd	Description
1	17782	1	Snap Button
2	10166	2	Rd. Hd. Machine Screw (#10-24 UNC x 1/2 Lg.)
3	14812	4	Screw
4	420718-4	1	Contactor
5	205189	1	Decal (Ground)
6	43126WH2	1	Control Box Cover
7	10197	2	Hex Nut (#10-24)
8	11108	3	Lockwasher (#10)
9	11856	1	Screw (#10-24 x 1" Lg.)
10	210112	1	Strain Relief Bushing
11	308752	8'	Cord (14/3 SJTO)
12	15993	1	Strain Relief Bushing
13	305665	1	Transformer
14	11539	2	Screw (10-24 X 1/4 Lg.)

Item No.	Part No.	No. Req'd	Description
15	252604	1	Remote Hand Switch Assembly (See sheet 12 of 12)
16	13532	1	Screw (#8-32 x 3/8 Lg.)
17	206857	1	Washer
18	250440	1	Decal
19	51218WH2	1	Control Box
20	250442	1	Fuse (1.25 Amp)
21	16887	1	Fuse Holder
22	11202	1	Connector
23	212434	1	Conduit Lockwasher

PARTS INCLUDED BUT NOT SHOWN
200188 1 Warning Decal

ELECTRICAL SCHEMATIC

220 Volt, 50 Hz., Single Phase

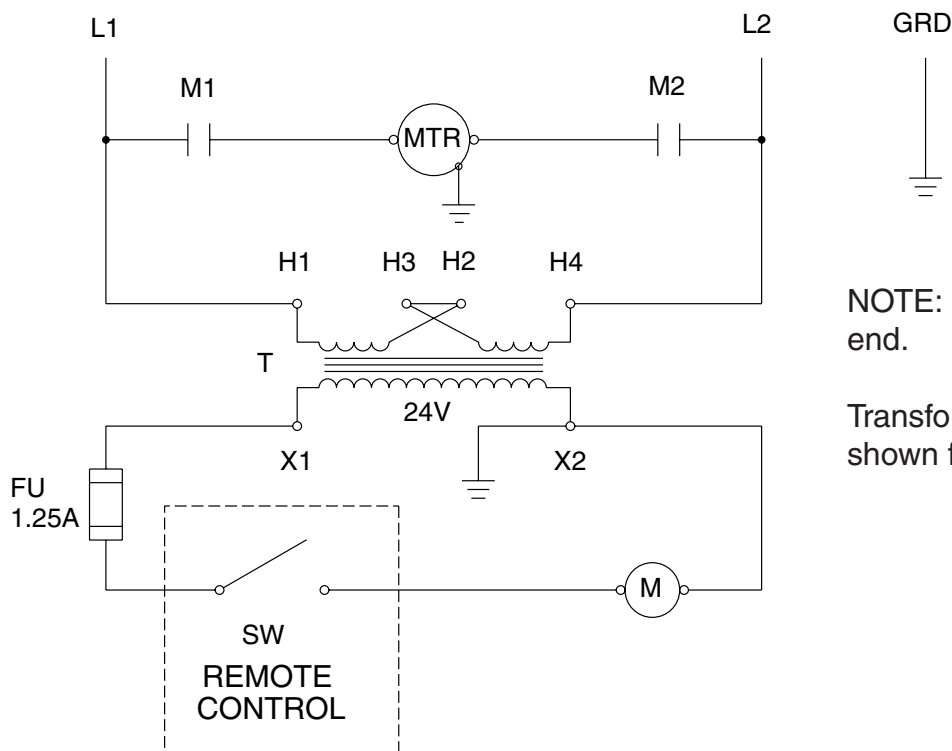


WARNING

To help avoid personal injury, all electrical work must be done by a qualified electrician.

North American & International Color Codes

Conductors	North American	International
Line	Black.....	Brown
Neutral	White	Blue
Ground	Green	Green/Yellow

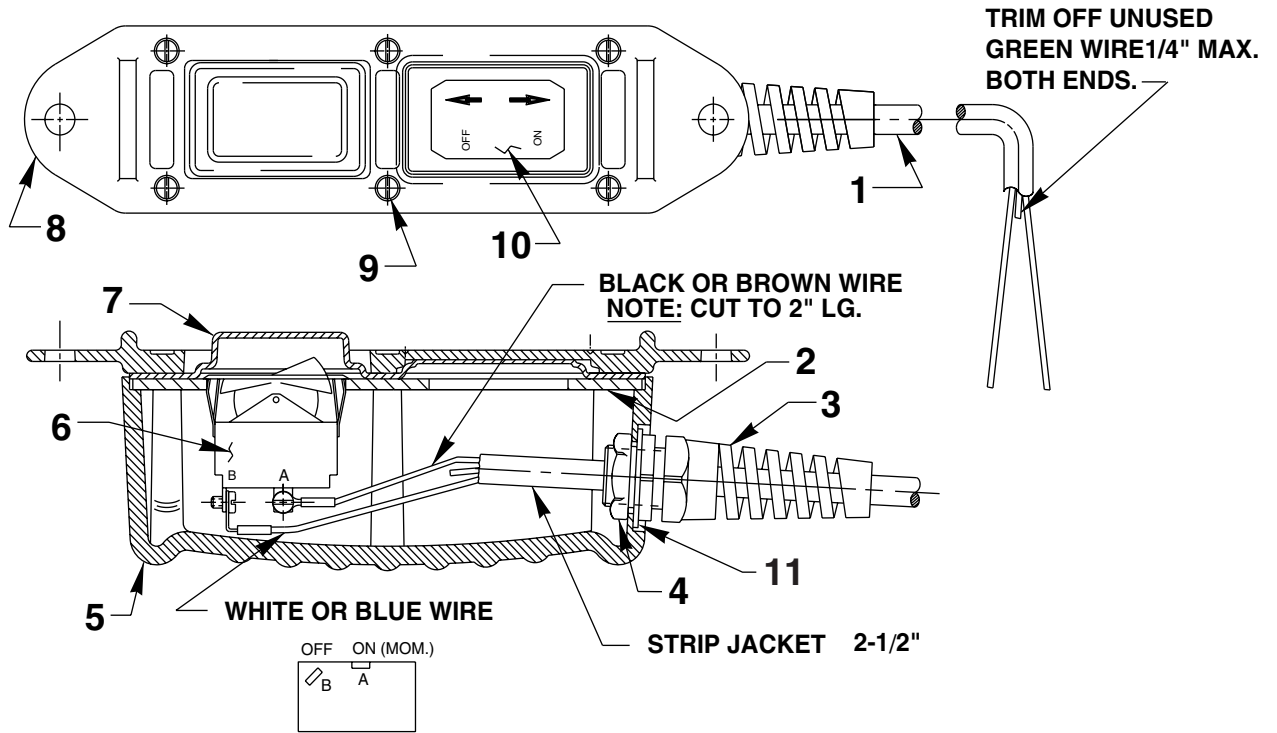


NOTE: CCW Rotation form lead end.

Transformer connections are as shown for 220 V. - 50 Hz.

REMOTE HAND SWITCH ASSEMBLY

No. 252604

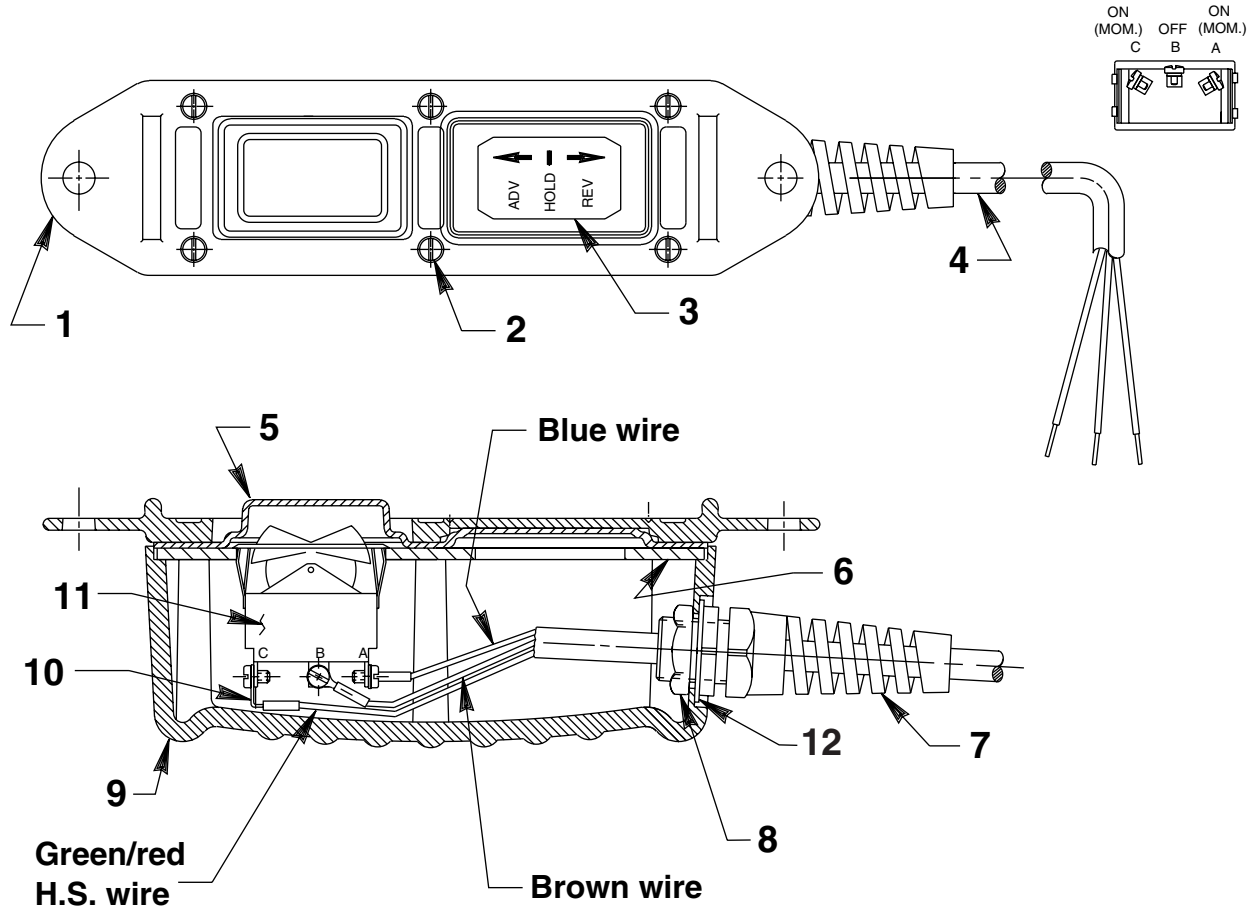


Item No.	Part No.	No. Req'd	Description
1	12908	13'	Cable (18/3 SJTO)
2	420050-3	1	Switch Mounting Plate
3	251818	1	Strain Relief Bushing
4	251802	1	Locknut (Torque to 30/35 in. lbs.)
5	420050-4	1	Switch Housing
6	16772	1	Rocker Switch
7	420050-2	1	Gasket
8	420050-1	1	Plastic Cover
9	250248	6	Screw (4-24 x 3/4 Lg.)
10	202763	1	Decal (On/Off)
11	253607	1	Rubber Gasket

Note: Shaded areas reflect last revision(s) made to this form.

REMOTE HAND SWITCH ASSEMBLY

No. 307491



Item No.	Part No.	No. Req'd	Description
1	420050-1	1	Plastic Cover
2	250248	6	Screw (4-24 x 3/4 Lg.)
3	202776	1	Decal (On/Off)
4	12293	125'	Cable (16/3 SJTO)
5	420050-2	1	Gasket
6	420050-3	1	Switch Mounting Plate
7	251818	1	Strain Relief Bushing
8	251802	1	Locknut (Torque to 30/35 in. lbs.)
9	420050-4	1	Switch Housing
10	12311	3	Ring Tongue Terminal
11	16773	1	Rocker Switch
12	253607	1	Rubber Gasket

Note: Shaded areas reflect last revision(s) made to this form.