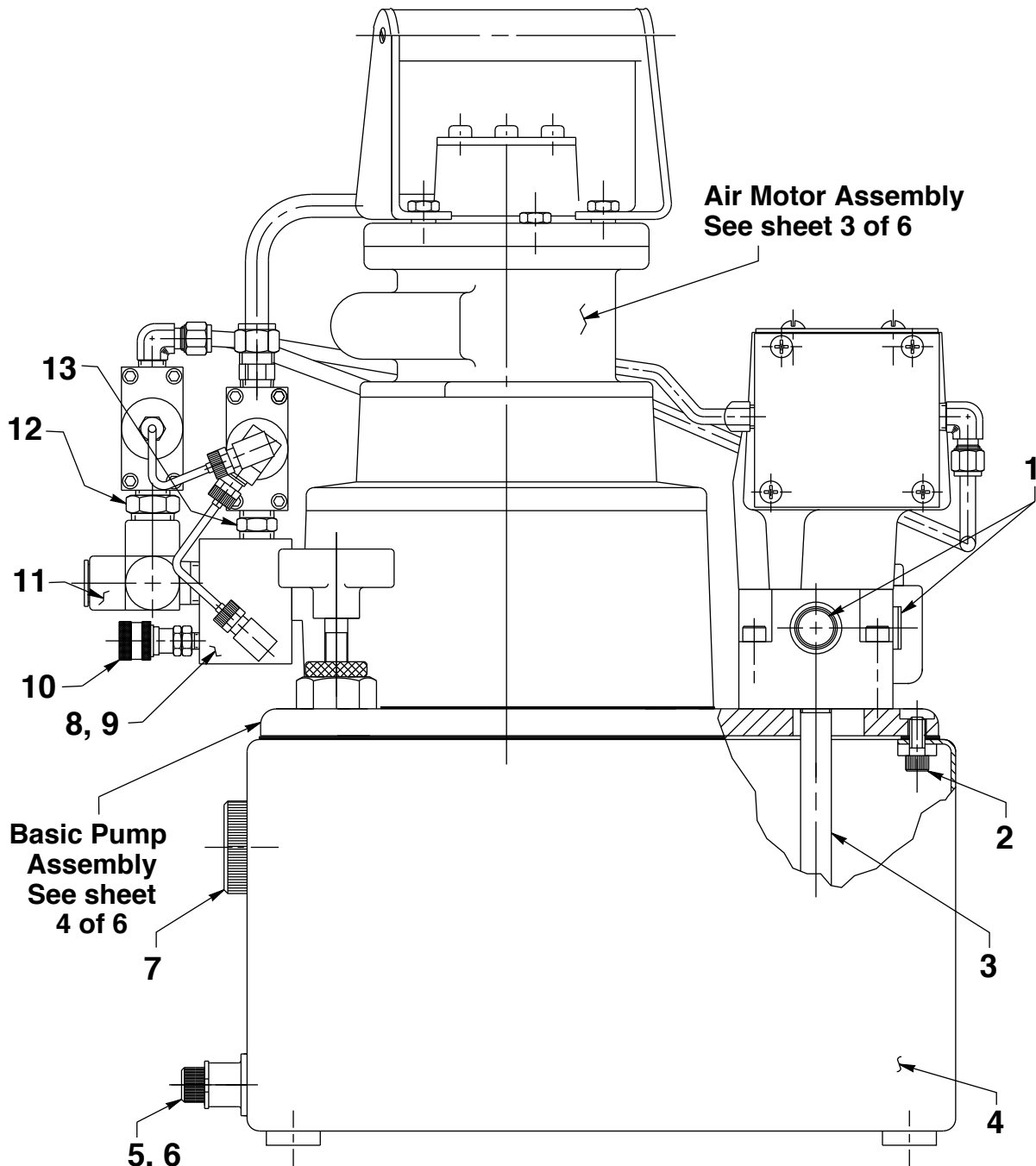


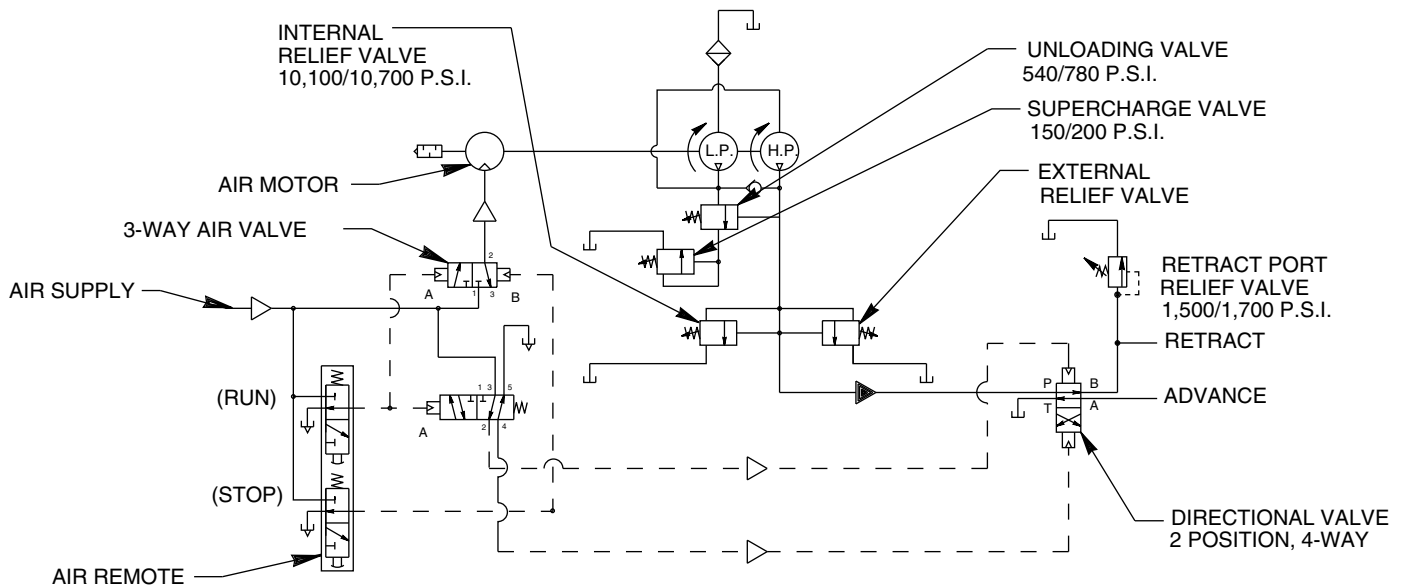
AIR DRIVEN WITH REMOTE CONTROL HYDRAULIC PUMP Max. Capacity: 10,000 PSI



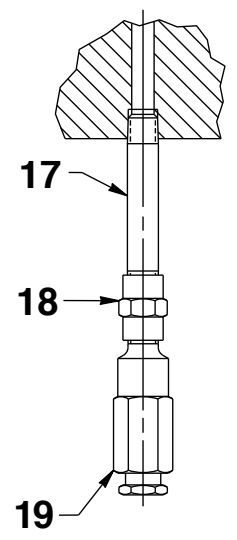
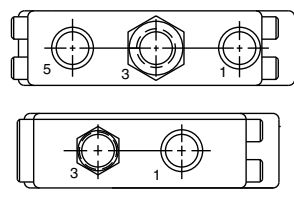
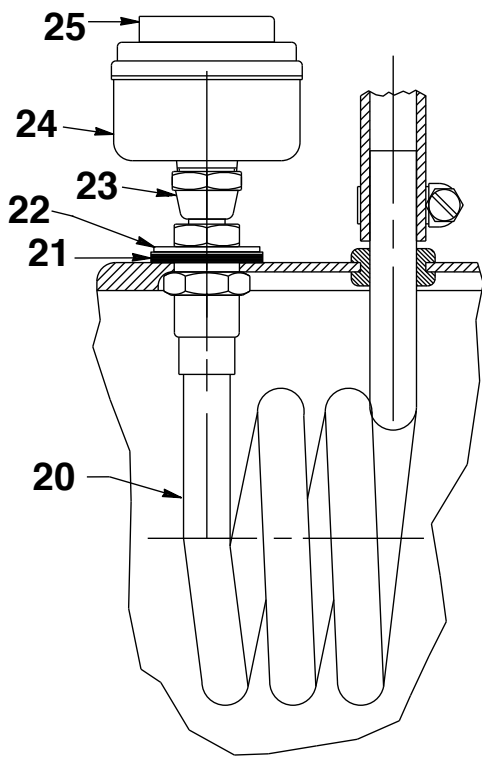
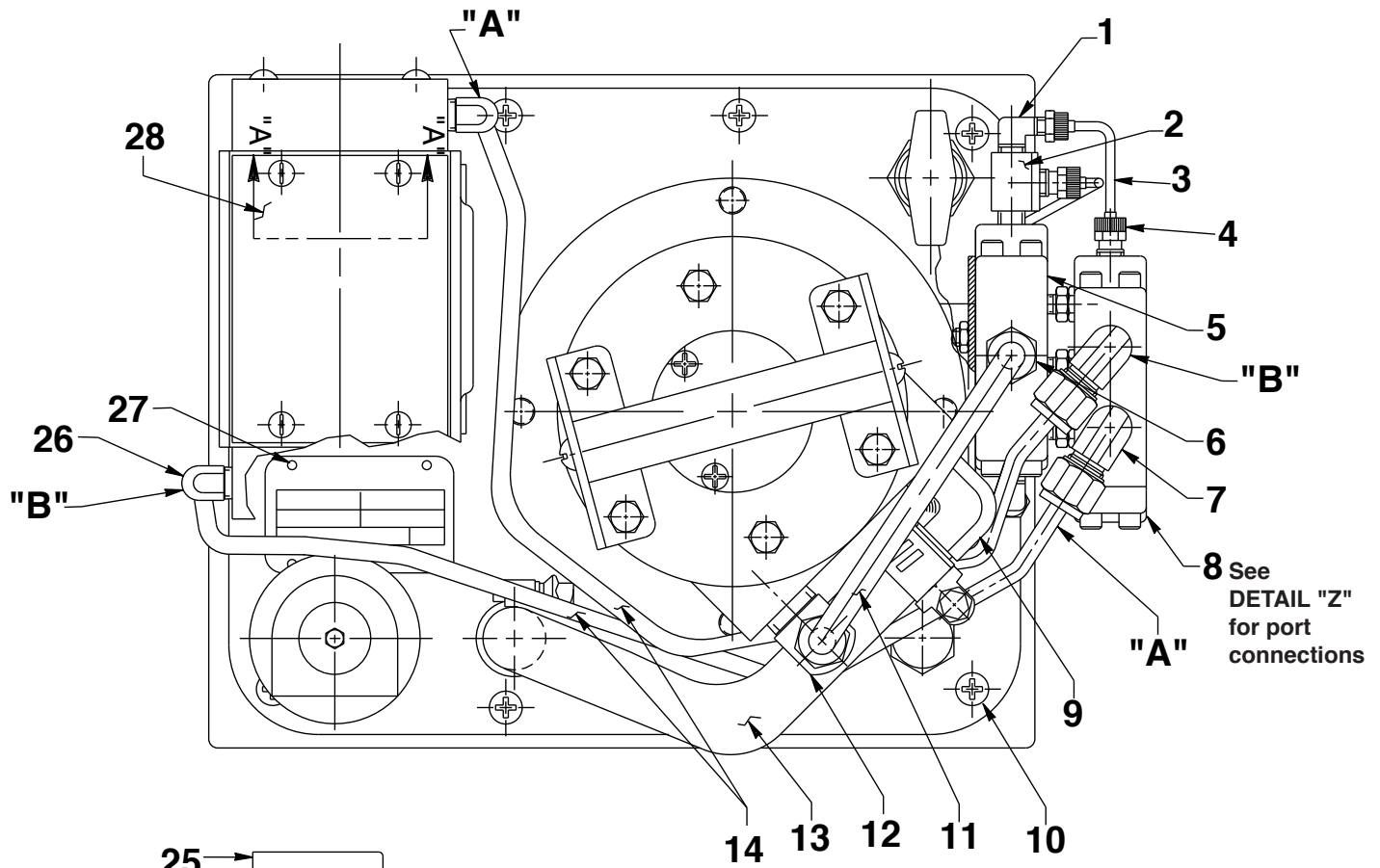
Item No.	Part No.	No. Req'd	Description
1	13270	2	Plastic Cap
2	10006	1	Cap Screw (1/4-20 x 5/8 Lg.)
3	200609	1	Drain Tube
4	420327	1	Reservoir (See note below)
5	10412	1	Soc. Hd. Cap Screw (3/8-16 UNC x 1/2 Lg.)
6	19779	1	Seal Washer
7	17586	1	Sight Gauge
8	350244	1	Air Valve Manifold
9	10020	2	Soc. Hd. Cap Screw (1/4-20 x 1-1/4 Lg.)
10	213344	3	Quick Coupler (Female)
11	10623	1	Tee Fitting
12	12328	1	Straight Fitting
13	16494	1	Straight Nipple Fitting (1/4 NPTF)

Note: For a replacement reservoir, order no. 351118.

HYDRAULIC SCHEMATIC



TOP VIEW



SECTION A-A

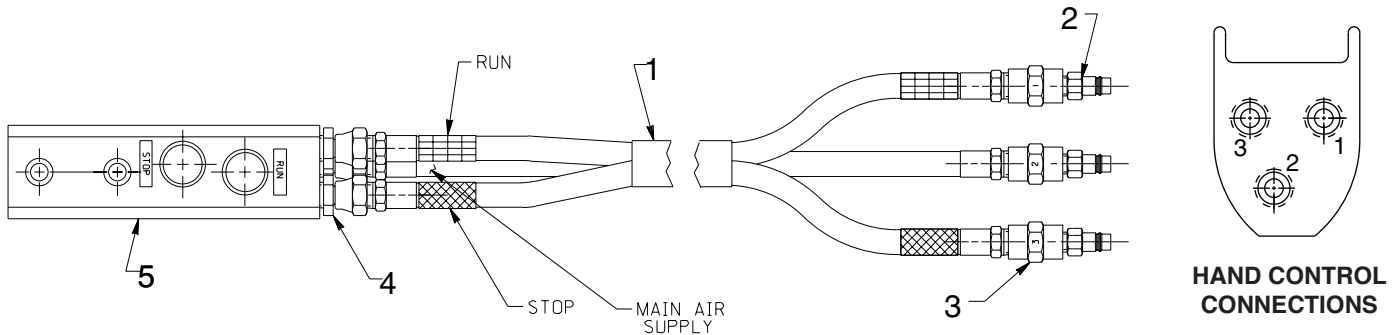
DETAIL "Z"

Parts List, Form No. 101249, Back sheet 2 of 6

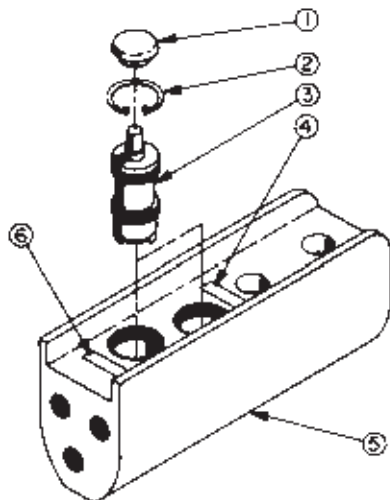
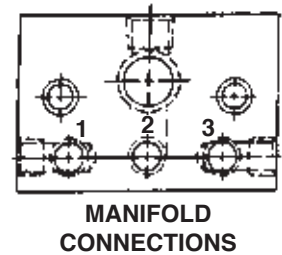
Item No.	Part No.	No. Req'd	Description
1	15044	4	90° Elbow Fitting
2	19463	1	Tee Fitting
3	14281	.8 ft.	Plastic Tubing (1/8 O.D.)
4	15043	2	Straight Fitting
5	17565	1	Air Valve
6	17634	1	Straight Fitting
7	15457	2	90° Elbow Fitting
8	306033	1	Air Valve
9	212897	1	90° Elbow Fitting
10	10177	9	Machine Screw (1/4-20 x 3/4 Lg.)
11	303474	1	Tube
12	17636	1	90° Elbow Fitting
13	212898	.9 ft.	Pressure Hose
14	15883	2.8 ft.	Plastic Tubing (1/4 O.D.)
15	12367	2	Hose Clamp
16	212896	1	Grommet

Item No.	Part No.	No. Req'd	Description
17	15456	1	Straight Nipple Fitting
18	18841	1	Straight Fitting
19	21278-15	1	Relief Valve Assembly (Set at 1,500/1,700 PSI)
20	46626	1	Heat Exchanger Coil
21	252041	1	Sealing Washer (1.5 x 1.05 x .141)
22	18286	1	Special Washer (1-23/64 x 57/64 x 1/16 thk.)
23	252355	1	Straight Fitting
24	13966	1	Muffler
25	205505	1	Muffler Deflector
26	250463	2	90° Elbow Fitting
27	10575	4	Drive Screw
28	66209	1	4-way Air Op. Valve Ass'y (See Form No. 108100)

#422008 REMOTE CONTROL & HOSE ASSEMBLY



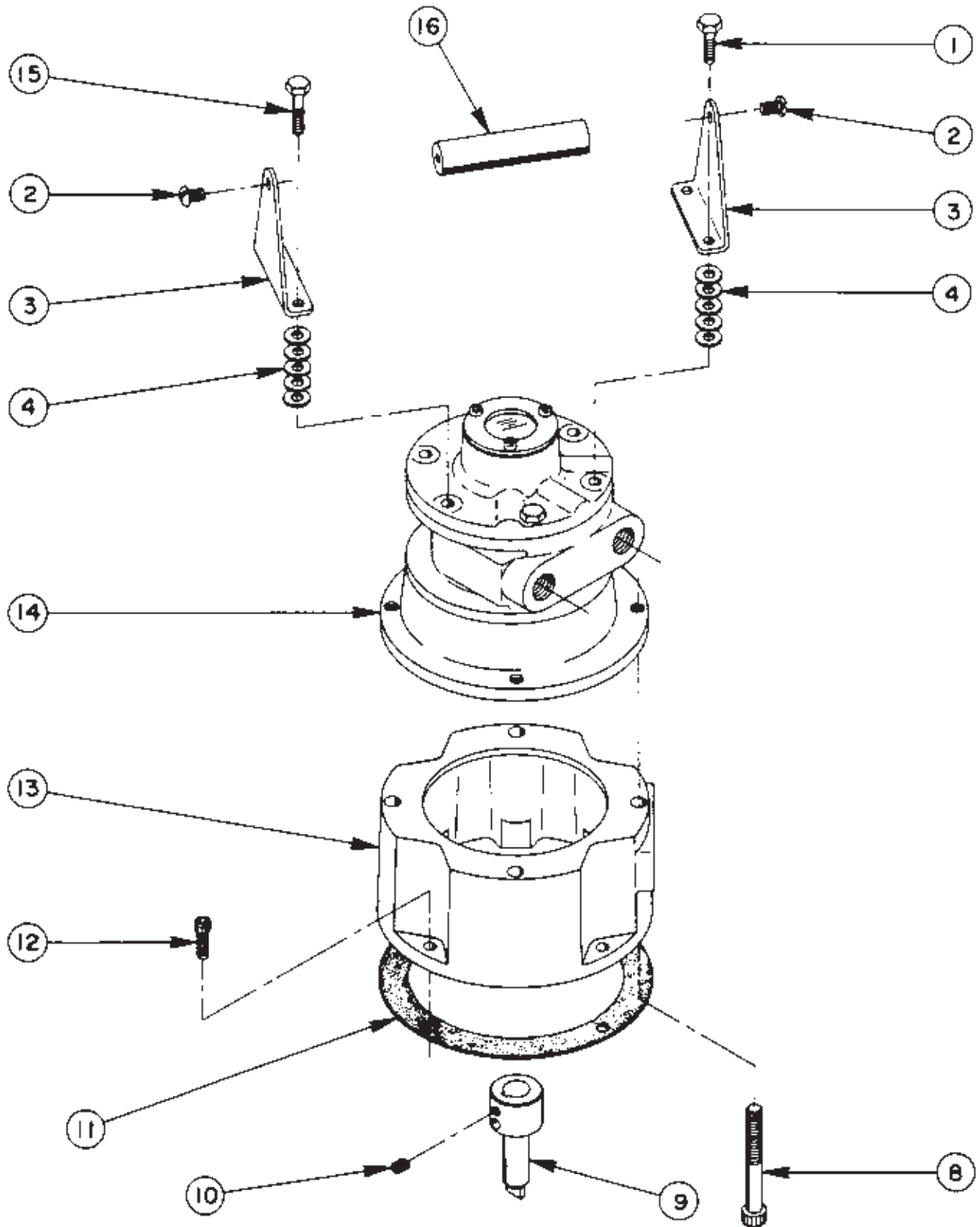
Item No.	Part No.	No. Req'd	Description
1	420096	1	Pneumatic Hose Assembly (Three Strand)
2	213343	3	Quick Coupler (Male)
3	18841	3	Straight Fitting
4	208218	3	Straight Fitting
5	421265	1	Air Operated Hand Control Assembly (See below)



#421265 HAND CONTROL ASSEMBLY

Item No.	Part No.	No. Req'd	Description
1	206105	2	Push Button
2	11033	2	Retaining Ring
3	206104	2	Valve Cartridge (Including seals)
4	203769	1	Decal (Stop)
5	44024	1	Control Valve Body
6	203770	1	Decal (Run)

AIR MOTOR ASSEMBLY



Item No.	Part No.	No. Req'd	Description
1	10014	1	Cap Screw (1/4-28 x 1" Lg.)
2	10174	2	Machine Screw (1/4-20 x 1/2 Lg.)
3	33808	2	Handle Bracket
4	12719	20	Washer
8	17816	4	Cap Screw (3/8-16 x 3" Lg.)
9	37842	1	Shaft Extension
10	10556	1	Set Screw (1/4-20 UNC x 1/4 Lg.)
11	30650	1	Gasket
12	10008	4	Cap Screw (1/4-20 x 3/4 Lg.)
13	51158WH2	1	Motor Base
14	*14717	1	Air Motor (See Form #16138)
15	10018	3	Cap Screw (1/4-28 x 1-1/4 Lg.)
16	28158	1	Handle
	51159	1	Complete Air Motor Assembly (Includes Items 1 through 16)

PARTS INCLUDED BUT NOT SHOWN

12546	1	Cap
14056	1	Reducing Nipple

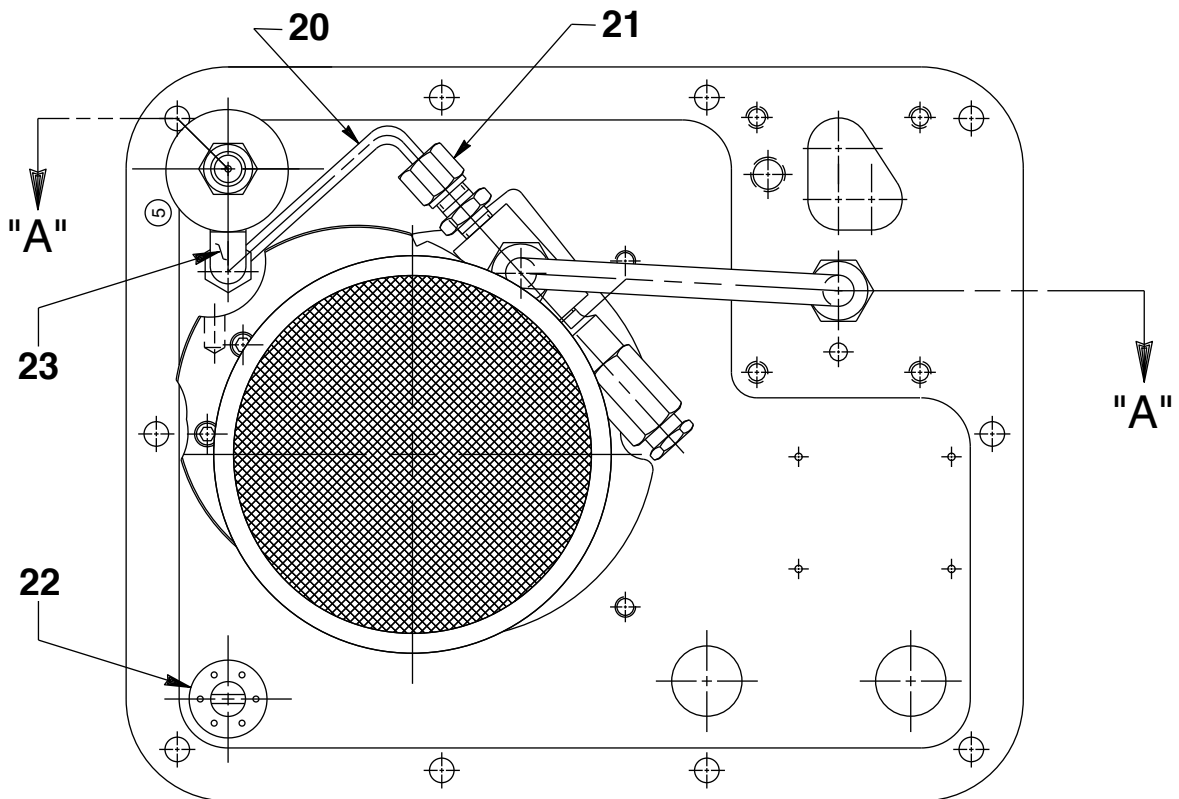
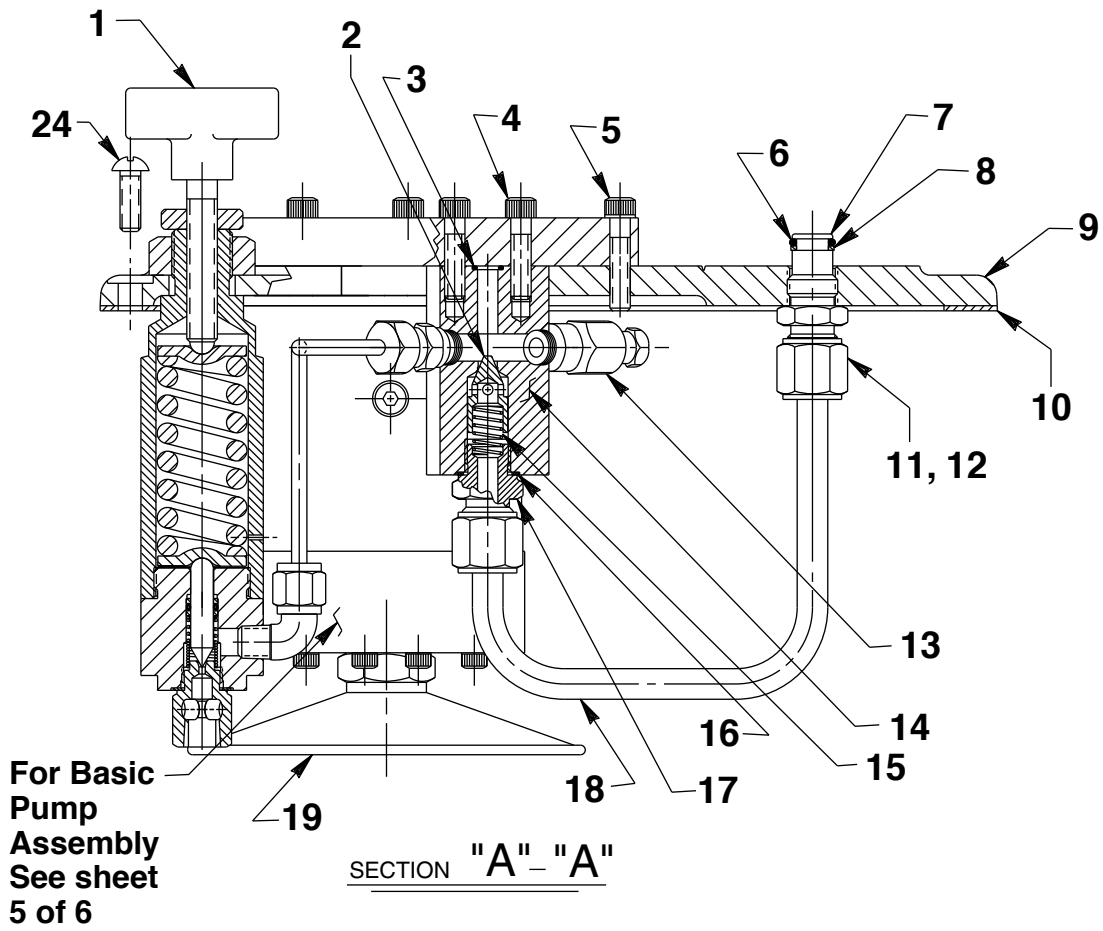
*Note: For air motor repair kit, order no. 252100.

Refer to any operating instructions included with this product for detailed information about operation, testing, disassembly, reassembly and preventive maintenance.

Items found in this parts list have been carefully tested and selected. **Therefore: Use only genuine Power Team replacement parts!**

Additional questions can be directed to our Technical Services Department.

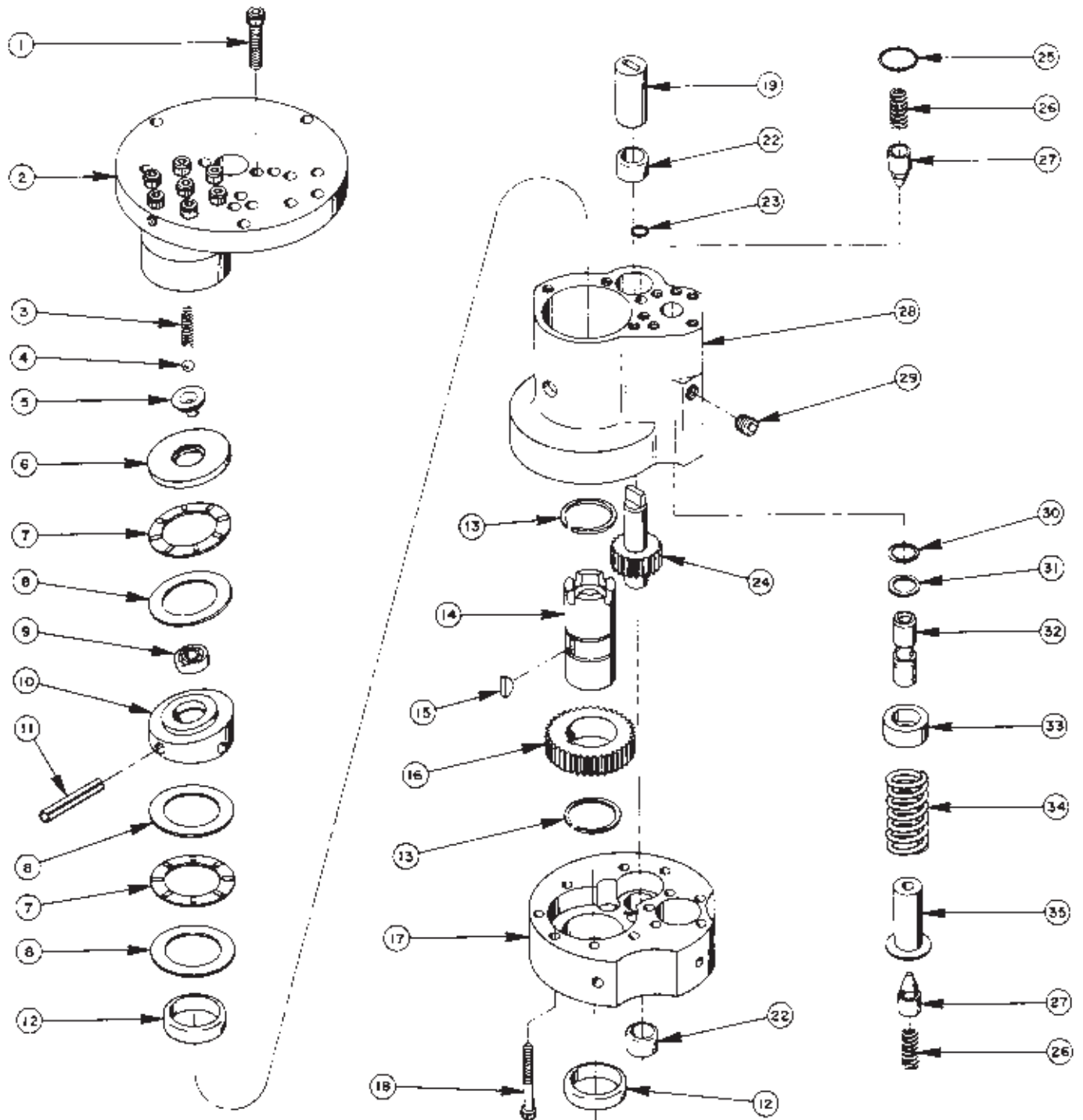
GENERAL PUMP ASSEMBLY



Parts List, Form No. 101249, Back sheet 4 of 6

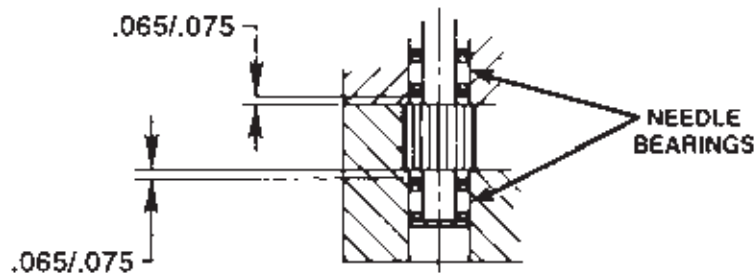
Item No.	Part No.	No. Req'd	Description
1	421280	1	Pressure Regulator Assembly (See Form No. 101697)
2	20771	1	Poppet
3	10266	2	O-ring (1/4 x 3/8 x 1/16)
4	10015	2	Cap Screw (1/4-28 x 1" Lg.; Torque to 180 in. lbs.)
5	10016	3	Cap Screw (1/4-20 UNC X 1" Lg.)
6	10268	1	O-ring (3/8 x 1/2 x 1/16)
7	20787	1	Valve Connector
8	11863	1	PTFE Backup Washer
9	46627WH2	1	Cover
10	40164	1	Gasket
11	10430	2	Tube Sleeve (3/8)
12	10431	2	Tube Nut
13	21278	1	Relief Valve Assembly (Set at 10,100-10,700 PSI)
14	20776	1	Valve Body
15	10425	1	Compression Spring (3/8 O.D. x 3/4 Lg.)
16	10261	1	Copper Washer
17	20770	1	Connector (Torque to 40/45 ft. lbs. oiled)
18	21045	1	Oil Line
19	21345	1	Filter Assembly (Includes item #20)
20	201570	1	Pressure Control Valve Oil Line
21	14844	1	Male Connector
22	20937	1	Filler Plug
23	16177	1	90° Elbow Fitting
24	10177	9	Machine Screw (1/4-20 UNC X 3/4 Lg.)

BASIC PUMP ASSEMBLY



Item No.	Part No.	No. Req'd	Description
1	10020	9	Soc. Hd. Cap Screw (1/4-20 UNC X 1-1/4 Lg.; Torque to 170-180 in. lbs.)
2	33113	1	High Pressure Pump Ass'y (See sheet 6 of 6)
3	10361	1	Compression Spring (1/4 O.D. X 1" Lg.)
4	10375	1	Steel Ball (1/4" dia.)
5	23547	1	Bearing Top Plate
6	23548	1	Top Plate
7	11228	2	Thrust Bearing
8	11813	3	Bearing Race
9	11814	1	Ball Bearing
10	23549	1	Angle Plate
11	11955	1	Roll Pin (1/4" dia. X 1-3/4 Lg.)
12	11064	2	Needle Bearing
13	11261	2	Retaining Ring
14	23556	1	Shaft
15	11821	1	Woodruff Key
16	23557	1	Gear
17	30533	1	Pump End Plate
18	10001	12	Soc. Hd. Cap Screw (#10-32 UNF X 1-3/4" Lg.; Torque to 50/60 in. lbs.)
19	251206	1	Aluminum Coupling
22	11198	2	Needle Thrust Bearing (See Note below)
23	10266	1	O-ring (3/8 X 1/4 X 1/16)
24	21272	1	Drive Gear
25	10303	1	O-ring (7/8 X 3/4 X 1/16)
26	10425	2	Compression Spring (3/8 O.D. X 3/4 Lg.)
27	20771	2	Poppet
28	40120	1	Pump Body
29	10427	1	Pipe Plug (1/8" NPTF)
30	10271	1	O-ring (11/16 X 1/2 X 3/32)
31	12389	1	PTFE Backup Washer (11/16 X 1/2 X 1/16)
32	20849	1	Spool
33	23255	1	Spring Guide
34	10426	1	Compression Spring (1" O.D. X 1-13/16 Lg.)
35	23256	1	Spring Guide

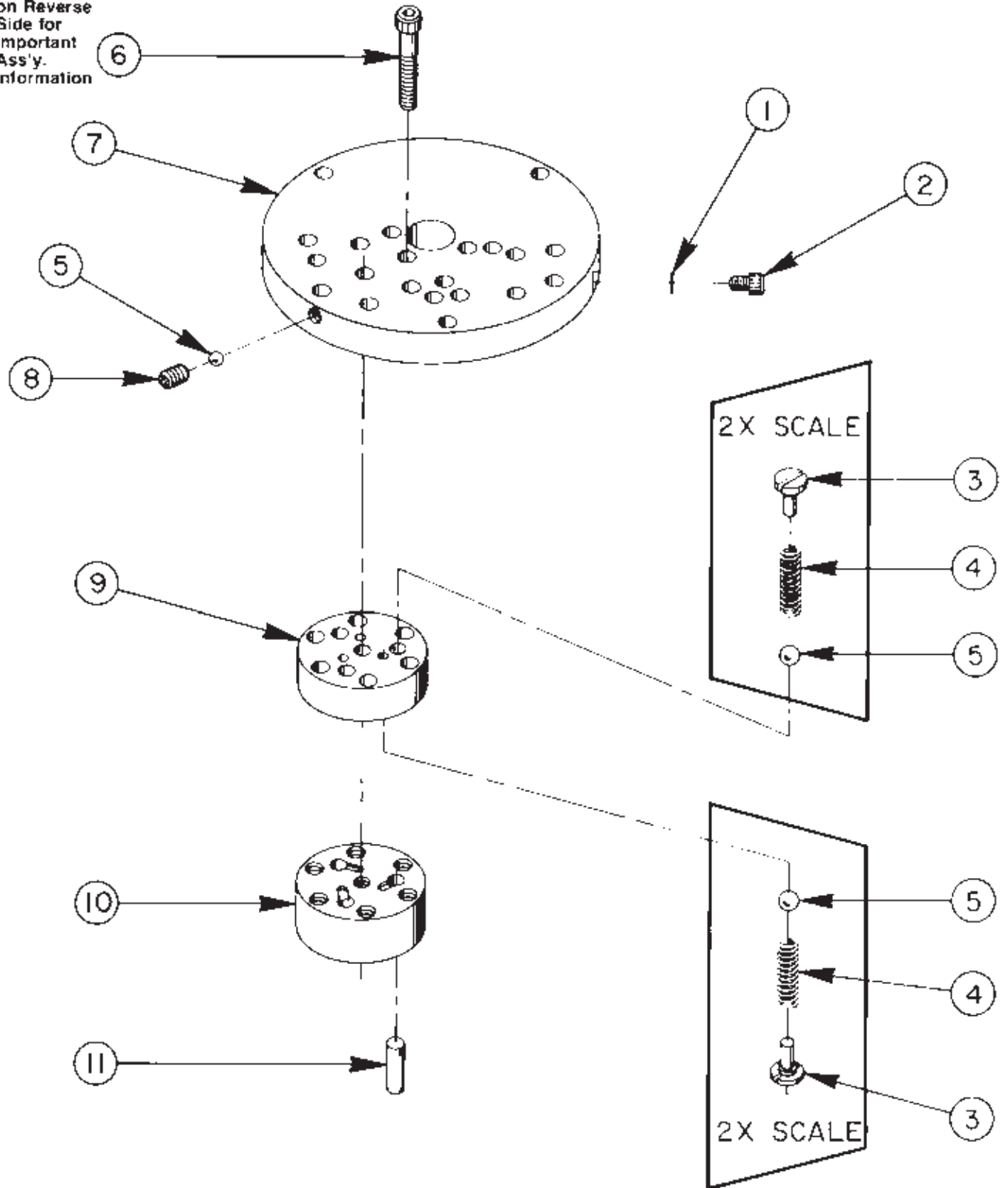
NEEDLE BEARING SPECIFICATIONS



Note: Shaded areas reflect last revision(s) made to this form.

HIGH PRESSURE PUMP ASSEMBLY

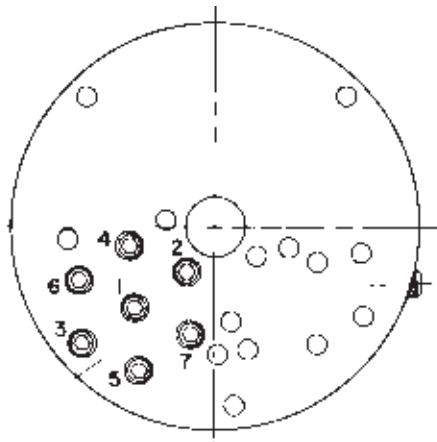
See Diagram
on Reverse
Side for
Important
Ass'y.
Information



33313 PUMP ASSEMBLY
3 PISTON - 9/32 DIA.

Item No.	Part No.	No. Req'd	Description
1	10442	1	Copper Washer (3/8 X 1/4 X 1/32)
2	10002	1	Soc. Hd. Cap Screw (1/4-20 UNC X 3/8" Lg.; Torque to 140/160 in. lbs.)
3	24549	6	Valve Guide
4	10445	6	Compression Spring (5/32" O.D. X 3/4" Lg.)
5	12223	7	Steel Ball
6	10023	7	Soc. Hd. Cap Screw (1/4-20 UNF X 1-1/2" Lg.; Torque to 170/180 in. lbs.; See note below)
7	50411	1	Top Plate
8	10519	1	Soc. Set Screw (1/4-20 UNC X 3/8 Lg.; Torque to 65/70 in. lbs.)
9	40630	1	Valve Head
10	41062	1	Pump Barrel
11	21628	3	Piston

BOLT TIGHTENING SEQUENCE



NOTE: Assemble in sequence shown.
Lubricate under head and on threads.
Torque to 180 in. lbs.