



SERVICE PARTS LIST

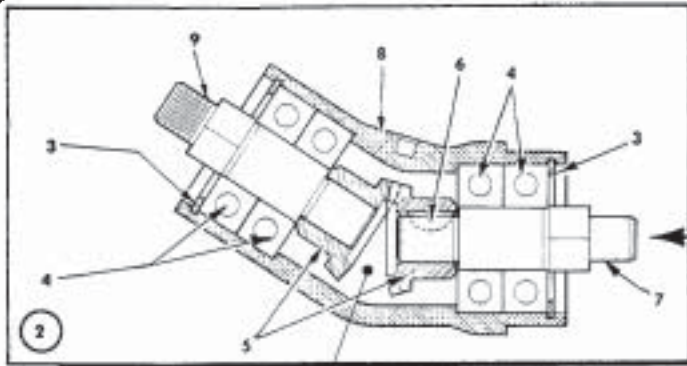
BULLETIN NO.
54-36-0200

SPECIFY CATALOG NO. AND SERIAL NO. WHEN ORDERING PARTS		REVISED BULLETIN	DATE
33° ANGLE DRIVE EXTENSION			Mar. 2005
CATALOG NO. 48-06-2860	STARTING SERIAL NO.	WIRING INSTRUCTION	

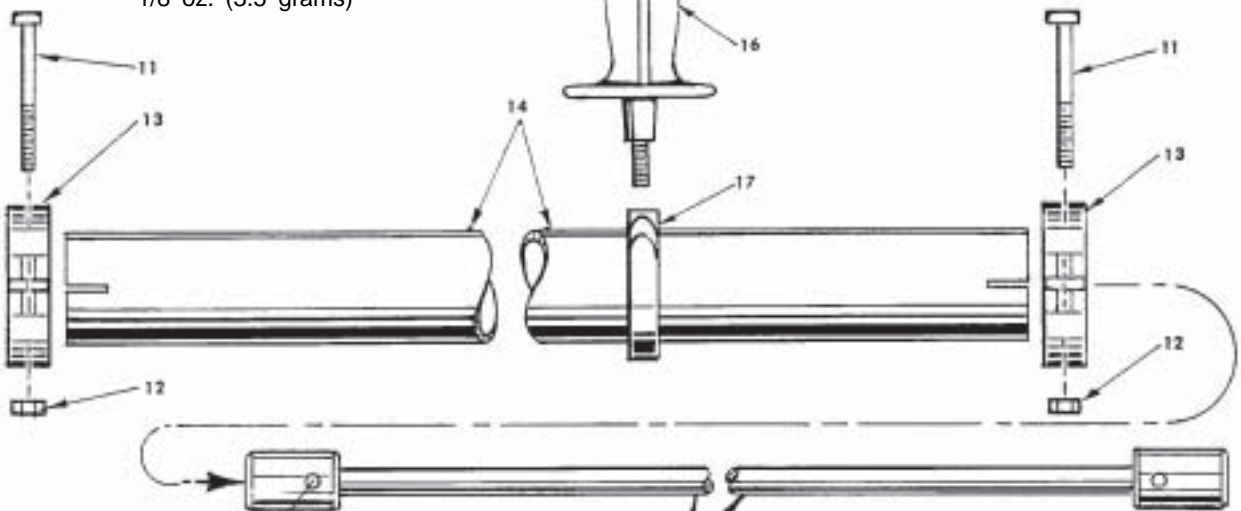
EXAMPLE:

00	0
----	---

 Component Parts (Small #) Are Included When Ordering The Assembly (Large #).



Type "J" Lubricant
 No. 49-08-4220
 1/8 oz. (3.5 grams)



06-65-1585 3/16 x 1" Roll Pin
 NOTE: Spread endsof pin into chamfer on coupling.

FIG.	PART NO.	DESCRIPTION OF PART	NO.REQ.
1	48-06-2860	33° Angle Drive Extension (Includes Fig. Nos. 2 Thru 19)	(1)
2	14-72-0120	33° Angle Drive (Includes Fig. Nos. 3 Thru 9)	(1)
3	34-80-2950	Retaining Ring	(2)
4	02-04-1745	Ball Bearing	(4)
5	32-05-1111	Bevel Gear	(2)
6	06-42-1600	Woodruff Key	(2)
7	38-50-2970	Drive Spindle	(1)
8	28-50-7560	Housing	(1)
9	38-50-2960	Spindle	(1)
10	48-95-0400	Angle Drive Extension (Includes Fig. Nos. 11 thru 17)	(1)
11	06-75-0348	5/16-18 x 2-1/4" Hex Head Bolt	(2)
12	06-54-0300	5/16-18 Square Nut	(2)
13	25-82-0139	Clamping Collar	(2)
14	45-76-0180	30" Extension Tube	(1)
15	45-08-0140	Drive Shaft Assembly	(1)
16	43-62-0885	Handle	(1)
17	28-82-0135	Clamping Collar	(1)
	49-96-4060	Open End Wrench (9/16" & 11/16")	(1)
	44-60-0190	Knockout Pin (For 1/2" Chucks)	(1)

NOTE:
 For safe control, 33° Angle Drive must be used with 30" extension!