

WIRING INSTRUCTIONS

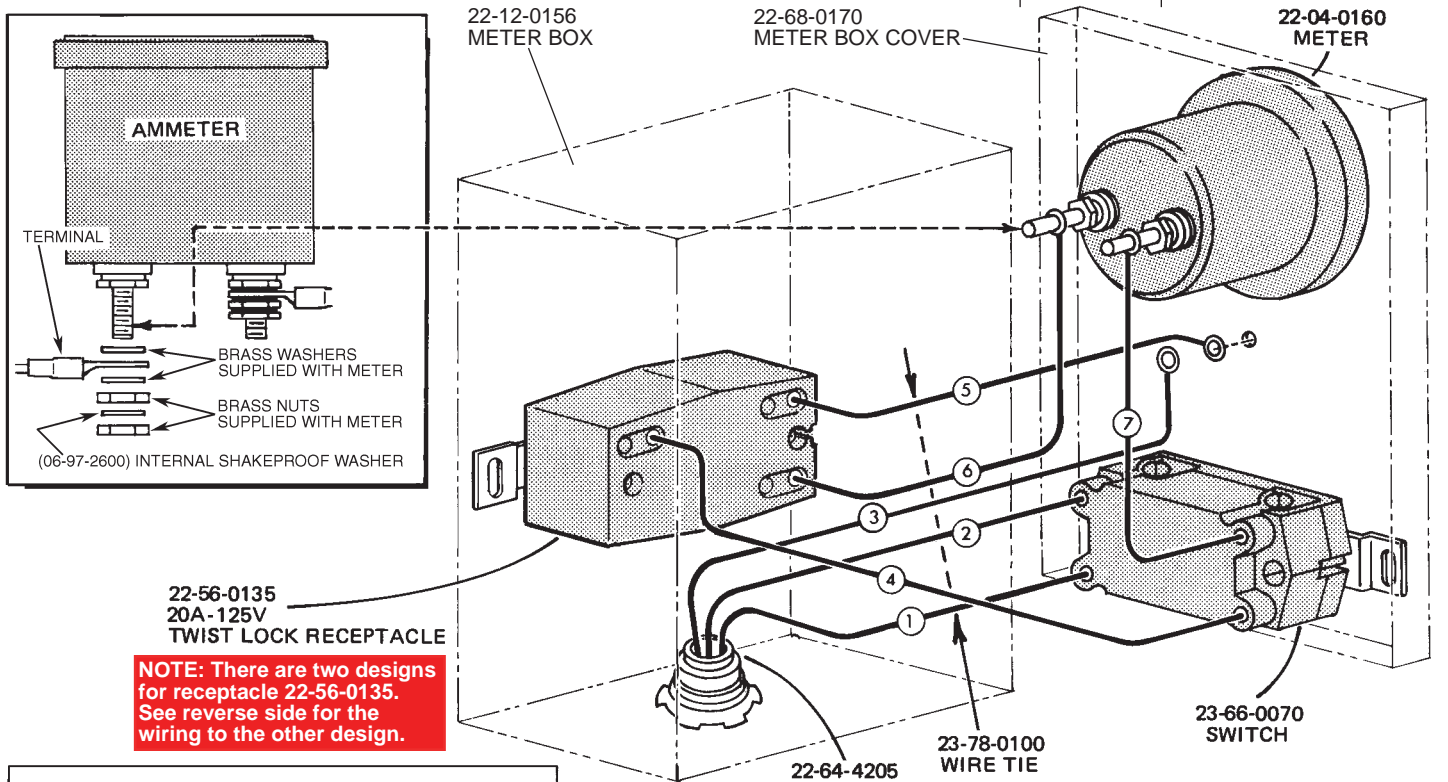
TITLE

48-51-0120 METER BOX (20A 120V)

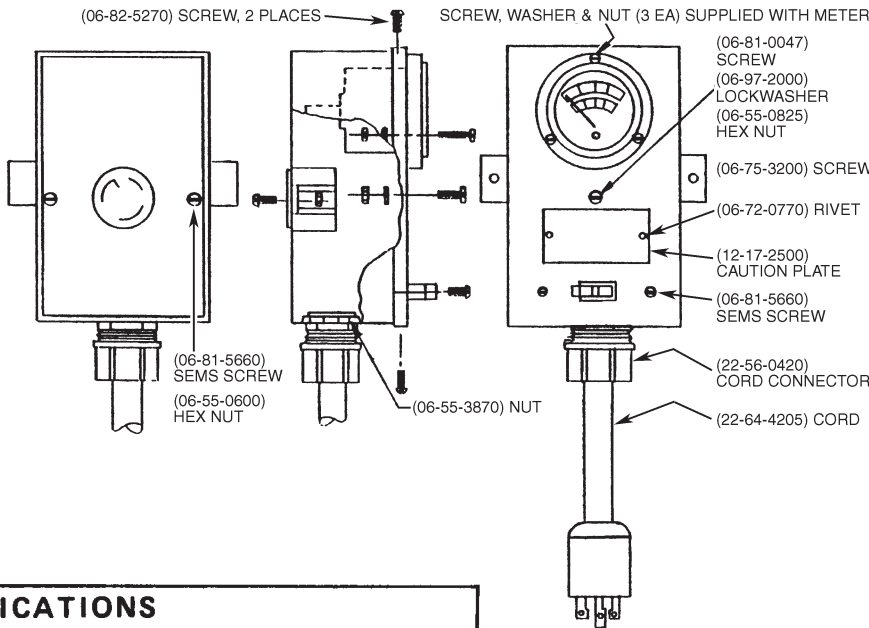
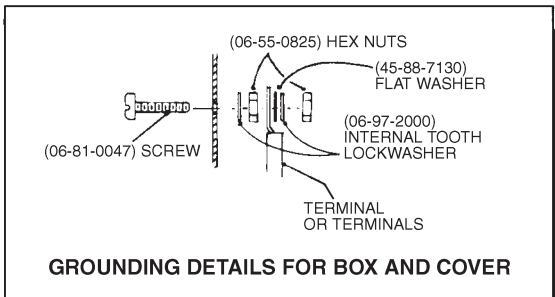
**BULLETIN
58-01-0664**

MILWAUKEE ELECTRIC TOOL CORP. 13135 WEST LISBON RD. BROOKFIELD, WIS.

DATE
June 2011



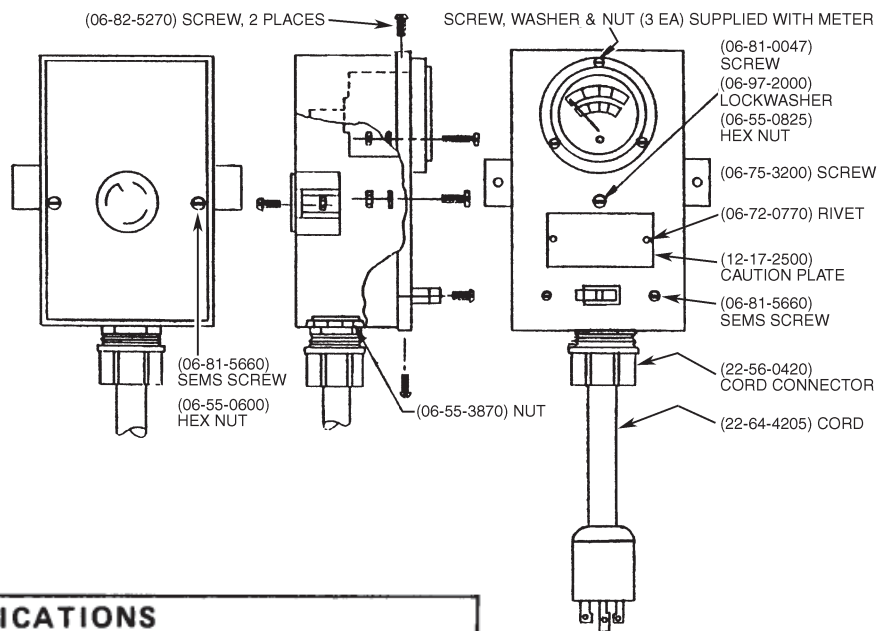
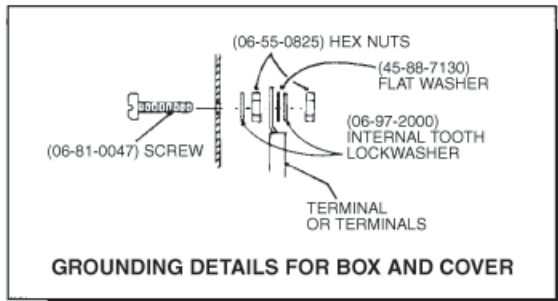
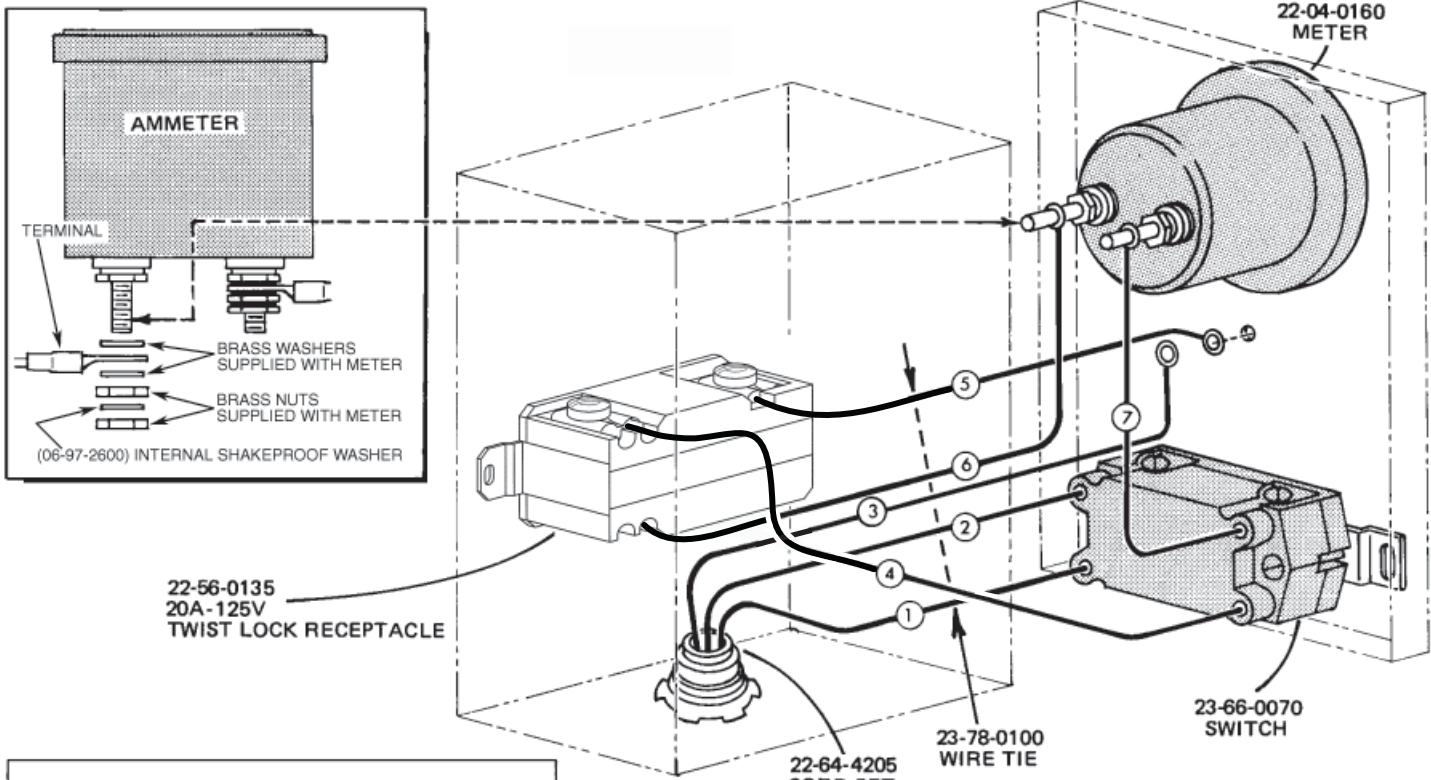
NOTE: There are two designs for receptacle 22-56-0135. See reverse side for the wiring to the other design.



WIRING SPECIFICATIONS				
Wire No.	Wire Color	Origin or Gauge	Length	Terminals, Connectors and 1 or 2 End Wire Preparation.
1	White	Cord	9"	Strip 3/4"
2	Black	Cord	9"	Strip 3/4"
3	Green	Cord	9"	Strip 3/16" For T1
4	White	14	11"	Strip 3/4" / Strip 3/4"
5	Green	14	9"	Strip 3/4" / Strip 3/16" For T1
6	Black	14	9"	Strip 3/4" / Strip 5/16" For T2
7	Black	14	5"	Strip 3/4" / Strip 5/16" For T2

NOTE:
All leads must be held to $\pm 1/8"$.
All field leads to be measured from and perpendicular to laminations.
All lead lengths are before stripping.

TERMINAL DESCRIPTION		
Code	Part No.	Qty.
T1	23-74-0125	2
T2	23-74-0310	2



WIRING SPECIFICATIONS				
Wire No.	Wire Color	Origin or Gauge	Length	Terminals, Connectors and 1 or 2 End Wire Preparation.
1	White	Cord	9"	Strip 3/4"
2	Black	Cord	9"	Strip 3/4"
3	Green	Cord	9"	Strip 3/16" For T1
4	White	14	11"	Strip 3/4" / Strip 3/4"
5	Green	14	9"	Strip 3/4" / Strip 3/16" For T1
6	Black	14	9"	Strip 3/4" / Strip 5/16" For T2
7	Black	14	5"	Strip 3/4" / Strip 5/16" For T2

NOTE:
 All leads must be held to $\pm 1/8"$.
 All field leads to be measured from and perpendicular to laminations.
 All lead lengths are before stripping.

TERMINAL DESCRIPTION		
Code	Part No.	Qty.
T1	23-74-0125	2
T2	23-74-0310	2