



SERVICE PARTS LIST

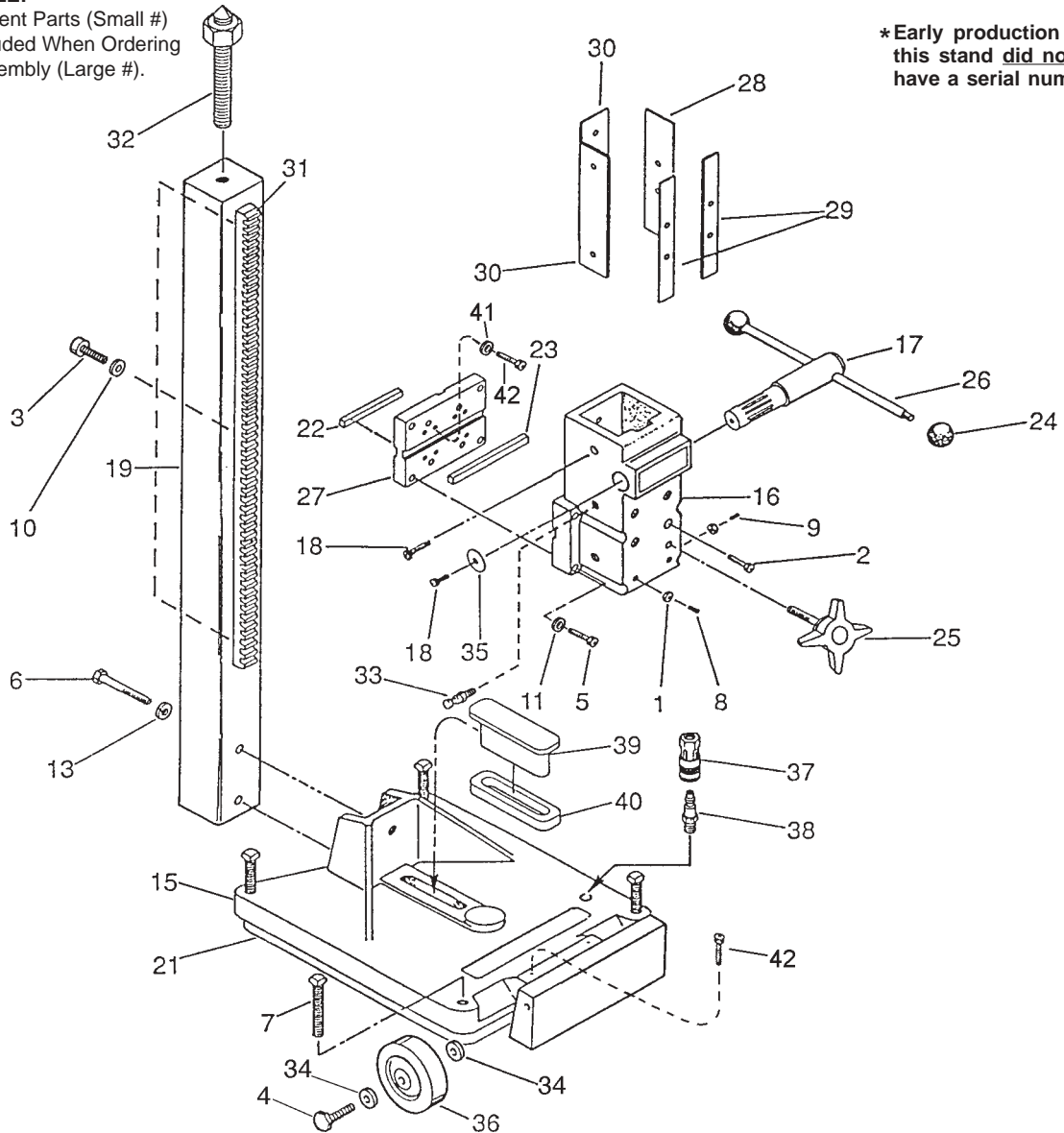
BULLETIN NO.
54-46-1375

SPECIFY CATALOG NO. AND SERIAL NO. WHEN ORDERING PARTS		REVISED BULLETIN	DATE
LARGE BASE DYMORIG			May 1995
CATALOG NO.	4120	STARTING SERIAL NO.	A09A*
		WIRING INSTRUCTION	

EXAMPLE:

00
0

Component Parts (Small #)
Are Included When Ordering
The Assembly (Large #).



*Early production of this stand **did not** have a serial number.

FIG.	PART NO.	DESCRIPTION OF PART	NO. REQ.	FIG.	PART NO.	DESCRIPTION OF PART	NO. REQ.
	1	1/4-20 Hex Nut	(5)		27	Motor Mount	(1)
	2	1/4-20 x 3/4" Socket Hd. Screw	(4)		28	Wear Pad	(1)
	3	5/16-18 Socket Hd. Screw	(3)		★ 29	Gib	(2)
	4	1/2" Hex Hd. Cap Screw	(2)		★ 30	Wear Pad	(2)
	5	3/8-16 Socket Hd. Cap Screw	(4)		31	Rack	(1)
	6	5/8-11 Hex Hd. Cap Screw	(2)		32	Jack Screw Assembly	(1)
	7	5/8-11 x 3" Hex Hd. Cap Screw	(4)		33	Mounting Stud	(1)
	8	1/4-20 x 1-1/2" Set Screw	(3)		34	1/2" Flat Washer	(4)
	9	1/4-20 x 1" Set Screw	(3)		35	Shaft Washer	(1)
	10	5/16" Split Ring Lockwasher	(3)		36	Wheel	(2)
	11	Lockwasher	(4)		37	Female Coupling	(1)
	13	5/8" Split Ring Lockwasher	(2)		38	Male Coupling	(1)
	14	Nameplate Blank	(1)		39	Vacuum Adapter	(1)
	15	Large Base	(1)		40	Gasket	(1)
★	28-23-3415	Carriage	(1)		41	1/4" Lockwasher	(4)
	17	Pinion Shaft	(1)		42	1/4-20 x 7/8" Screw	(6)
	18	1/4-20 x 1/2" Socket Hd. Cap Screw	(7)		49-96-0060	1/8" Hex Key	(1)
	19	Column	(1)		49-96-0080	3/16" Hex Key	(1)
	21	Base Gasket	(1)		49-96-0120	5/16" Hex Key	(1)
	22	3/8 x 3/8 x 3" Key	(1)				
	23	3/8 x 3/8 x 5" Key	(1)				
	24	Plastic Knob	(2)				
	25	Carriage Screw	(1)				
	26	Bar Handle	(1)				

MILWAUKEE ELECTRIC TOOL CORPORATION
13135 W. LISBON RD., BROOKFIELD, WI 53005