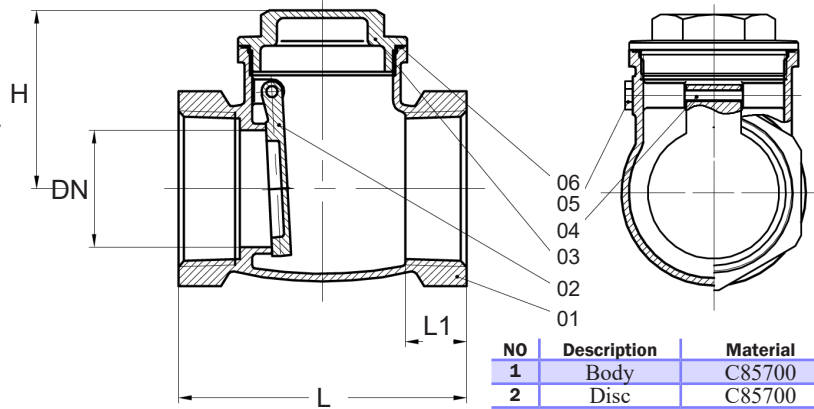


BRASS SWING CHECK VALVES

- Working pressure non-shock: 200 psi W.O.G. (cold water, oil, gas) 125 psi WSP (saturated steam)
- Swing type disc.
- Screwed Cap.
- Hard Seat.
- 90° Straight Pattern.
- Used to prevent reverse flow in commercial and industrial applications.
- Threaded ends to ANSI B1.20.1
- Integral seat.
- Temp range -5° - 150F°
- NOT LEAD FREE
- Cracking pressure 3-5 psi
- Made in Indonesia



| NO | Description | Material |
|----|-------------|----------|
| 1 | Body | C85700 |
| 2 | Disc | C85700 |
| 3 | Cap | C85700 |
| 4 | Brass Bar | C85700 |
| 5 | Screw | C85700 |
| 6 | Gasket | Fibre H |

CAST BRASS SWING CHECK VALVES IPS SCREWED ENDS

| Part # | Size | L | H | L1 | DN | Weight | Box/Case | List Price |
|---------|-------|------|------|-------|-------|--------|----------|------------|
| 940-352 | 1/2 | 2.09 | 1.42 | 0.531 | 0.512 | .41 | 10/100 | 19.15 |
| 940-353 | 3/4 | 2.36 | 1.56 | 0.579 | 0.728 | .56 | 10/80 | 21.55 |
| 940-354 | 1 | 2.62 | 1.77 | 0.748 | 0.925 | .73 | 5/60 | 30.87 |
| 940-355 | 1-1/4 | 3.19 | 2.07 | 0.748 | 1.201 | 1.36 | 5/40 | 48.71 |
| 940-356 | 1-1/2 | 3.54 | 2.16 | 0.846 | 1.417 | 1.56 | 5/30 | 67.20 |
| 940-357 | 2 | 4.21 | 2.74 | 0.886 | 1.772 | 2.58 | 2/20 | 100.90 |
| 940-358 | 2-1/2 | 5.14 | 3.09 | 1.063 | 2.224 | 4.55 | 1/15 | 190.84 |
| 940-359 | 3 | 5.77 | 3.80 | 1.102 | 2.579 | 6.53 | 1/6 | 268.43 |
| 940-360 | 4 | 6.84 | 4.25 | 1.102 | 3.602 | 10.18 | 1/4 | 436.02 |



• See page 168 for Lead Free Brass Swing Check Valves

• See page 203 for SS Swing Check Valves

Y PATTERN BRASS SWING CHECK VALVE SCREWED ENDS



| Part # | Size | List Price |
|----------|--------|------------|
| 940-352B | 1/2" | 65.19 |
| 940-353B | 3/4" | 86.87 |
| 940-354B | 1" | 111.31 |
| 940-355B | 1-1/4" | 166.80 |
| 940-356B | 1-1/2" | 200.24 |
| 940-357B | 2" | 277.28 |