

# Lubrication tools and equipment

**LINCOLN**



**SKF**

# People, Capabilities and Systems to Save Money and Increase Productivity

## Industry Leader

Continually satisfying our customers with the world's best lubrication equipment and pumping systems has made Lincoln the largest and most successful company in our field. For nearly a century, companies have relied on our technical and quality leadership; our world-class manufacturing and customer service, and our vast network of distributors and support facilities.

## Providing Solutions

Industrial customers in large processing plants, automotive manufacturing, pulp and paper mills, food and beverage and other manufacturing facilities can depend on solutions from Lincoln. For the toughest mobile applications, on the road or in the field, Lincoln protects heavy equipment used in mining, construction, agriculture and over-the-road trucking. In addition, Lincoln offers the best lubrication equipment to meet the needs of automotive service professionals.



## Complete Product Line

Lincoln supplies automated lubrication systems, pumps and pump stations and top quality lubrication equipment and accessories. Our quality systems in the United States and Germany are ISO 9001 registered and our fittings business is QS 9000 registered.



## Worldwide Support

With five technical support centers on three continents, and a network of distributors supported by regional sales and service offices, our customers can always draw on our worldwide resources. Other Lincoln Sites Lincoln has developed new internet sites to better serve customers by providing information customized for their needs. Visit us at [lincolnlube.com](http://lincolnlube.com), [mityvac.com](http://mityvac.com) and [mityvacFST.com](http://mityvacFST.com).



# Table of Contents

|                                                       |                   |
|-------------------------------------------------------|-------------------|
| <b>Hand-held lubrication and accessories</b>          |                   |
| 18-volt lithium ion PowerLuber .....                  | 2                 |
| 14.4-volt and 18-volt PowerLuber grease guns .....    | 3                 |
| 120-volt electric PowerLuber grease gun .....         | 5                 |
| Automatic pneumatic grease gun .....                  | 6                 |
| Grease guns .....                                     | 7                 |
| Clear grease guns .....                               | 10                |
| Grease hose extensions .....                          | 11                |
| Grease accessories .....                              | 12                |
| Grease fittings .....                                 | 14                |
| Wheel bearing packers .....                           | 17                |
| <b>Pumps and accessories</b>                          |                   |
| PMV pump family .....                                 | 18                |
| High-pressure grease pumps and accessories .....      | 19                |
| 3" PMV oil pumps .....                                | 29                |
| 4.25" PMV oil pumps .....                             | 30                |
| PMV pump specifications .....                         | 31                |
| Medium-pressure oil pumps and accessories .....       | 32                |
| Bulk oil systems .....                                | 38                |
| Transfer pumps .....                                  | 39                |
| Rotary drum pumps .....                               | 41                |
| <b>Used fluid equipment and accessories</b>           |                   |
| Oil drains and accessories .....                      | 42                |
| Fluid recovery and accessories .....                  | 44                |
| Mityvac fluid evacuation equipment .....              | 45                |
| Installed fluid evacuation and disposal systems ..... | 46                |
| Lube dispensing stations .....                        | 47                |
| <b>Hose reels and accessories</b>                     |                   |
| Lincoln fluid reel (LFR) series .....                 | 48                |
| Dual support hose reel .....                          | 50                |
| Heavy-duty series hose reels .....                    | 52                |
| High-flow reels/ball stops .....                      | 53                |
| Hose/hose adapters for reels .....                    | 54                |
| Power cord and light reels .....                      | 55                |
| <b>Control valves and meters</b>                      |                   |
| Grease .....                                          | 57                |
| Fluid lubricants .....                                | 58                |
| Metering control valves .....                         | 59                |
| Accessories .....                                     | 60                |
| Inline/volume meters .....                            | 61                |
| Air/water .....                                       | 62                |
| <b>Air line products</b>                              |                   |
| Airline sprayers/valves .....                         | 63                |
| Air couplers and nipples .....                        | 64                |
| Diesel exhaust fluid (DEF) handling equipment .....   | 66                |
| Air controls and accessories .....                    | 68                |
| Regulators, filters and lubricators .....             | 69                |
| AirCare air preparation systems .....                 | 70                |
| <b>Guardian grease products</b>                       |                   |
| Guardian grease guns .....                            | 80                |
| Guardian accessories .....                            | 80                |
| Guardian pumps .....                                  | 81                |
| Guardian oil accessories .....                        | 83                |
| Guardian grease .....                                 | 84                |
| Numerical index .....                                 | 85                |
| Merchandising displays .....                          | inside back cover |





# PowerLuber® Grease Gun

## PowerLuber – 18-Volt Lithium Ion Series

Lincoln introduces the most advanced grease gun on the market. The new Li Ion Series offers far more than just extended run times. This powerful grease gun includes a multi-function LCD with many features including an easy to understand readout showing how much lubricant is being dispensed to prevent over lubricating and wasting grease.



1860

### 18V Li Ion PowerLuber Features

- LCD – Quantity of grease dispensed, quantity of grease remaining in cartridge, battery charge level, stall indicator, operation symbol
- LED lights up hard to locate fittings when under equipment or in the shade
- New 18V low-interference, high-performance motor
- New HD pump casting
- New motor protection design includes self-resetting thermal switch and front relief valve
- 2-speed transmission
- New longer 36 inch high-pressure hose
- New non-clog air-purge valve for immediate prime
- Bulk filler valve
- Accessible clean-out check to prevent potential priming problems

### Model 1862

Packed in a convenient heavy-duty carrying case molded from impact- and stain-resistant plastic. Model 1862 comes complete with the 18v Li Ion PowerLuber and battery (Model 1861), a 110v one-hour charger (Model 1850) and a 36" high-pressure flex hose with spring guard (Model 1236).

### Model 1864

Includes the same content as Model 1862 plus a second 18v Li Ion rechargeable battery (Model 1861).

### 18V Li Ion PowerLuber Accessories

#### Battery – Model 1861

3.0 high-amp Li Ion slide-on battery.

#### Charger – Model 1850

One hour high-output charger.

#### Hose – Model 1236

36" high-pressure hose with spring guards.



1864



1861



1850



# PowerLuber® Grease Gun

## Professional Two-Speed 14.4v and 18v NiCad Cordless Grease Guns

Lincoln, the inventor of the cordless grease gun, remains a valuable partner with technicians, mechanics, maintenance teams, farmers and others for almost every lubrication and preventative maintenance task imaginable.

PowerLuber's versatile two-speed design gives it the capability of two powerful tools in one. At the touch of a button, it can deliver high volumes of lubricant (8.5 oz. per minute) at medium pressure or a concentrated stream at high pressure (7500 psi working pressure). The PowerLuber includes a built-in stroke indicator to make it easy to measure total output.

### PowerLuber 14.4 and 18v NiCad Features

- Powerful high-torque motor
- 7,500 psi working output pressure
- 9 oz/min grease output at 1,000 psi (H)
- Air purge valve for immediate prime
- 2-speed output selection
- 30" high-pressure whip hose with spring guards and coupler
- Slotted HD casting accepts shoulder strap
- Check-ball accessibility allows easy cleaning of contaminated or hardened grease
- One-hour smart charger
- High-capacity battery

### Model 1842

Packed in a convenient heavy-duty carrying case molded from impact- and stain-resistant plastic. Model 1842 comes complete with the 18v NiCad PowerLuber and battery (**Model 1801**), a 110v one-hour charger (**Model 1410**), and a 30" high-pressure flex hose with spring guard (**Model 1230**).

### Model 1844

Includes the same content as Model 1842 plus a second 18v NiCad rechargeable battery (**Model 1801**).

### Model 1442

Packed in a convenient heavy-duty carrying case molded from impact- and stain-resistant plastic. Model 1442 comes complete with the 14.4v NiCad PowerLuber and battery (**Model 1401**), a 110v one-hour charger (**Model 1410**), and a 30" high-pressure flex hose with spring guard (**Model 1230**).

### Model 1444

Includes the same content as Model 1442 plus a second 14.4v NiCad rechargeable battery (**Model 1401**).



1400



Multi-speed output selector\*\* – control the powerful two-speed transmission with just a push



Stroke cycle indicator pin – lets you monitor total output by touch



Motor protection – reset breaker protects motor from overload



1444

Models 1442, 1444, 1842 and 1844 all include carrying case.

\*\* High output setting (H) delivers 2.5 times the volume as lower output setting (L).

# PowerLuber® Grease Gun



1242

## Model 1242

The standard 12-volt PowerLuber grease gun is powerful, generating up to 6000 psi of operating pressure. The battery recharges in only one hour and lasts long enough to dispense as much as 3 tubes of grease against 1,000 psi back pressure. It's perfect for hard to reach fittings. It relieves worker fatigue and speeds up routine lubrication tasks. Lube capacity is 16 oz. bulk and 14.5 oz. cartridge.

Comes complete with:

- 110-volt fast charger (Model 1210)
- 12-volt NiCad rechargeable battery (Model 1201)
- 30" high-pressure flex hose with spring guard (Model 1230)
- Pressure relief valve to prevent motor damage
- Accessible clean out check to prevent potential priming problems



1240

## Model 1244

Includes second 12-volt rechargeable battery (Model 1201) for uninterrupted lube application.

## Model 1240

Economy packed without carrying case. Includes one 12-volt rechargeable battery (Model 1201) and battery charger (Model 1210).

## Model 1200

PowerLuber and battery only.

1861



1801



1401



## PowerLuber Accessories

### Batteries – Models 1861, 1801, 1401, 1201

High quality rechargeable PowerLuber batteries. **Model 1861** (18v Li Ion), **Model 1801** (18.0v NiCad), **Model 1401** (14.4v NiCad), **Model 1201** (12.0v NiCad).

**NOTE:** NiCad and Li Ion batteries are not interchangeable.

### Whip Hoses – Models 1218, 1224, 1230, 1236

Attach to PowerLuber with 7/16" UNEF fitting, 1/8" NPT(m) outlet. Working pressure 7500 psi (517 bar). **Model 1218** (18"), **1224** (24"), **1230** (30") and **1236** (36").

## Chargers

### Model 1815A

Charges both Lincoln models **1401** (14.4-volt NiCad) and **1801** (18-volt NiCad) battery packs. Designed for use with 18- and 14.4-volt PowerLubers grease guns. 1-hour fast charger with automatic trickle charge maintenance mode. For use in vehicles and heavy equipment using 12- or 24-volt outlets.

### Model 1850

One hour high-output Li Ion charger.

### Model 1410

"Smart" charger recharges batteries in less than one hour and recognizes battery condition when not in use. For use with **Models 1442, 1444, 1842 and 1844.**

**Model 1210**—110-volt one-hour fast charger for use with battery pack 1201. 6 ft. cord; UL/ULC listed.

### Model 1215

12-volt to 12-volt DC field charger for use with battery pack **Model 1201** (plugs into cigarette lighter). **Model 1215A** allows use of both 12-volt and 24-volt DC input.

### Model 1414

Shoulder strap for hands-free movement from job to job (14.4V and 18V PowerLubers only).

1850



1815A



1201



1410



1210



1215



1414



1414

# PowerLuber® Grease Gun

## The Newest Addition to the Electric PowerLuber Family

The first of its kind in the industry, the 120-volt corded PowerLuber's motor provides the highest torque values in its class. Its variable-speed trigger combines with a two-speed transmission for precise flow control. Ideal for filling grease reservoirs, the 120-volt grease gun is an excellent alternative to pneumatic lube tools.



AC2440

### 120V PowerLuber Features

- High torque 120V AC motor
- Unmatched for power, longevity and performance
- Variable speed trigger combines with the 2-speed transmission for excellent flow control
- Plated barrel, head and handle
- Excellent for refilling grease reservoirs
- Excellent alternative to pneumatic lube tools
- Pressure relief valve to prevent motor damage
- Accessible clean out check to prevent potential priming problems

### 120V PowerLuber Specifications

|                                  |                                                            |
|----------------------------------|------------------------------------------------------------|
| Models                           | AC2440 / AC2400**                                          |
| Voltage                          | 120v                                                       |
| Transmission                     | 2-Speed Transmission with Variable Speed Trigger           |
| Lube Capacity                    | 16 oz. bulk / 14.5 oz. cartridge                           |
| Grease Flow Indicator            | Patented Stroke Counter                                    |
| Output Pressure                  | 7000                                                       |
| Output Rate*                     | 3.6 oz/min (L) - 8.0 oz/min (H)                            |
| Cartridges Dispensed Per Charge* | Unlimited                                                  |
| Overload Protection              | Pressure Relief Valve                                      |
| Bulk Filler Valve                | Yes                                                        |
| Quick Vent - Air Purge Valve     | Yes                                                        |
| Hose Type                        | 30" High-Pressure with Dual Spring Guards and 5852 Coupler |
| Compact Carrying Case            | Yes (Model AC2440 only)                                    |
| Hose/Coupler/Cord Clip           | Yes                                                        |
| 6' Power Cord                    | Yes                                                        |

\* @ 1000 psi back pressure

\*\* Does not include carrying case



# Automatic Pneumatic Grease Gun

## Model 1162 PowerLuber® Fully Automatic Pneumatic Grease Gun

The variable speed trigger provides excellent grease flow control while the advanced pump design eliminates traditional priming issues.

- Outstanding durability and dependability
- Fully automatic, continuous operation
- Variable-speed trigger
- Accessible check valve assembly
- Comfortable grip
- 30" high-pressure hose with coupler and attachment clip (Model 1230)
- Includes a combination filler nipple and bleeder valve
- Superior flow performance obtained through advanced design
- Standard grease cartridge

|                             |                                  |
|-----------------------------|----------------------------------|
| <b>Pump Ratio</b>           | 40:1 at 150 psi                  |
| <b>Max. Grease Pressure</b> | 6000 psi (414 bar)               |
| <b>Air Pressure Range</b>   | 40-150 psi (2.8-10.3 bar)        |
| <b>Lube Capacity</b>        | 16 oz. bulk / 14.5 oz. cartridge |
| <b>Weight</b>               | 5.375 lbs. (2.4 kg)              |





# Grease Guns

## **Lincoln. . . the brand the pros demand for quality lubrication tools**

For over a century the industry has recognized Lincoln as the leader in professional lubrication tools. Professional automotive, agricultural and industrial mechanics depend on Lincoln tools for their livelihood. Lincoln tools offer a lifetime of performance and are backed by the most comprehensive warranty in the industry.

### **Lincoln hand-held grease guns offer:**

- Rugged cast pump head for strength and durability.
- Jam-proof toggle mechanism prevents binding or accidental bending of plunger.
- Performance-proven design.
- Locking follower rod with removable end cap.
- Extra-heavy follower spring insures positive priming and uninterrupted pumping action.
- Accessible check valve allows easy cleaning without gun disassembly.
- Precision fit and hardened plunger prevents lubricant bypass, resists scoring for longer life.
- Follower rod locks into follower to force prime.



1142



1148



1013

| <b>Includes</b>                               | <b>1142</b> | <b>1148</b> | <b>1013</b> |
|-----------------------------------------------|-------------|-------------|-------------|
| Durable high-pressure grease gun              | X           | X           | X           |
| Precision fit and hardened plunger            | X           | X           | X           |
| Accessible check valve                        | X           | X           | X           |
| 5852 hydraulic coupler                        | X           | X           | X           |
| Rugged cast head                              | X           | X           | X           |
| Locking follower rod                          | X           | X           | X           |
| Removable end cap                             | X           | X           | X           |
| Variable stroke/variable pressure             |             | X           | X           |
| Multi-port pickup for greasing in tight areas |             | X           | X           |
| Air purge valve                               |             | X           |             |
| Large piston and bore                         |             |             | X           |
| High output setting                           |             |             | X           |
| 360° rotating extension                       |             |             | X           |
| Quick adjustment handle                       |             |             | X           |
| Plated barrel, head and handle                |             |             | X           |
| Bulk filler nipple                            |             |             | X           |
| Ergonomic hand grip                           |             |             | X           |

# Lever & Pistol Grip Grease Guns

## Heavy-Duty Lever Type

### Model 1142

The first choice of top mechanics and industrial maintenance professionals everywhere. It's designed for rough treatment on the job with a cast iron pump head, precision fit plunger and extra heavy follower spring.

### Model 1147

Same as 1142 with 18" whip hose and coupler.

### Model 1148

Premium version of our popular model 1142. This pump head includes dual grease inlet ports that provide the user the option of high pressure or high volume delivery. The tool also includes a comfortable vinyl grip and vent valve for purging air.

### Model 1151

Same as 1142 but holds 21 ounces bulk.

## Heavy-Duty Pistol Grip Type

### Model 1132

Fast, one-hand operation with similar features and benefits of Lincoln lever-type grease guns. Includes 5" extension with coupler.

### Model 1133

Same as 1132 with 18" whip hose and coupler.

### Model 1134

Extra-heavy-duty pistol grip grease gun. Cast head design. Jam proof handle return mechanism. Develops up to 7500 psi. Includes both 18" whip hose with coupler and 6" rigid tube. Variable stroke allows a high pressure option for high tolerance applications. Includes combination air bleeder/filler nipple to bulk fill capabilities and easy release of trapped air.

### Model 91108 Filler Nipple

Enables hand guns to be loaded using filler pump method. Includes ball check; 1/8" NPT(m).

### Model 82760 Grease Gun Holder

Can be mounted to almost any surface. Holds grease guns and suction guns with 2-1/4" OD barrel. Holds guns until ready to use. Not for use with clear tubes.



## Grease Guns Lever Type

| Model | Lube Capacity                | Extension                     | Length  |
|-------|------------------------------|-------------------------------|---------|
| 1142  | 16oz. Bulk/14.5oz. Cartridge | 5853 6" & 5852 coupler        | 21-3/4" |
| 1148  | 16oz. Bulk/14.5oz. Cartridge | 5853 6" & 5852 coupler        | 21-3/4" |
| 1147  | 16oz. Bulk/14.5oz. Cartridge | 71518 18" Hose & 5852 coupler | 21-3/4" |
| 1151  | 21oz. Bulk/14.5oz. Cartridge | 5853 6" & 5852 coupler        | 24-1/2" |

Specifications: Output 1oz. per 33 strokes using No. 1 grease at 70°F. Barrel diameter 2-1/4"

## Grease Guns Pistol Grip

| Model | Lube Capacity                | Extension                                 | Length  |
|-------|------------------------------|-------------------------------------------|---------|
| 1133  | 16oz. Bulk/14.5oz. Cartridge | 71518 18" Flex Hose & 5852 coupler        | 15-1/2" |
| 1132  | 16oz. Bulk/14.5oz. Cartridge | 6" Straight Pipe & 5852 coupler           | 15-1/2" |
| 1134  | 16oz. Bulk/14.5oz. Cartridge | 18" Flex Hose, 6" Straight Pipe & Coupler | 15-1/2" |

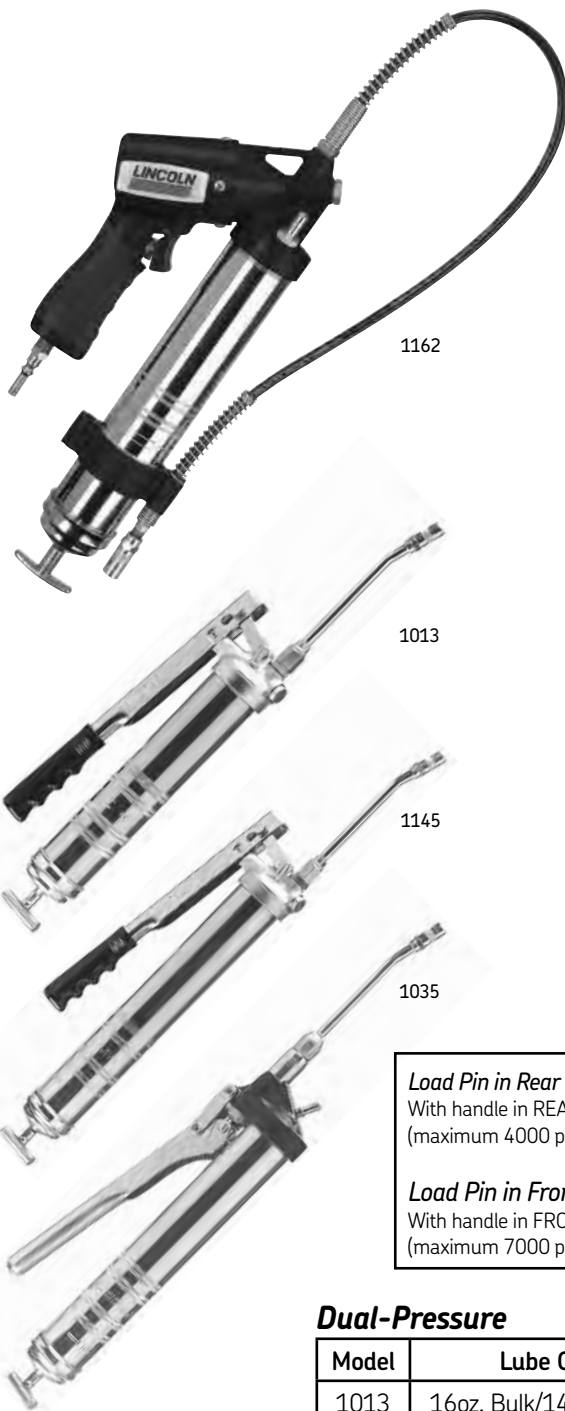
Specifications: Output 1oz. per 39 strokes using No. 1 grease at 70°F. Barrel diameter 2-1/4"

### Suction Gun Model 615

Holds up to 18 ounces of fluid. Flexible nozzle for transmission, differential or oil filter service. Precision follower fitted to barrel for superior suction and is impervious to oil, grease and water. Finished in rust-resistant, powder coated blue paint.



# Heavy-Duty & Air-Operated Grease Guns



## Air Operated Model 1162 PowerLuber®

- Fully automatic, pneumatic grease gun with variable-speed trigger
- Outstanding performance, durability and grease flow
- Patented anti-cavitation pump
- 6000 psi (414 bar) greasing capability
- Air operating range 40-150 psi (2.8-10.3 bar)
- Accessible check valve for easy clean out
- Includes advanced vent valve with filler nipple
- 30" high-pressure hose (with Model 1230)
- Low operational noise
- Lube capacity: 16 oz. bulk / 14.5 oz. cartridge

## Dual Pressure – Dual Output Model 1013 and 1145

- High-output setting delivers twice the grease per stroke
- High or low pressure for light- or heavy-duty greasing action
- Full pressure on short strokes for heavy greasing in tight places; develops full pressure with just 1/4" stroke
- Extension swivels 360° for hard-to-reach fittings
- Plated barrel, head and handle
- Handy three-way loading: cartridge, filler pump or bulk
- Grease resistant rubber handle grip for positive pumping action

## Precision High Pressure and Volume Model 1035 & 1037

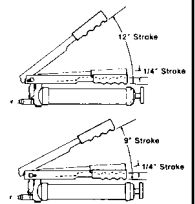
- Exclusive toggle mechanism design uses compound leverage for high-pressure pumping with little effort
- Rust resistant plated gun barrel and handle, black enamel head
- Equipped with filler nipple for fast refill from Lincoln filler pump
- 21 oz. bulk capacity for heavy-duty greasing applications
- High volume (Model 1037) delivers 1 oz. in just nine strokes

### Load Pin in Rear Position for High-Output Delivery

With handle in REAR (lo) shift position, grease is delivered at low pressure (maximum 4000 psi) with strokes from 1/4" to 12". Output 1 ounce per 18 full strokes.

### Load Pin in Front Position for High-Pressure Delivery

With handle in FRONT (hi) shift position, grease is delivered at high pressure (maximum 7000 psi) with strokes from 1/4" to 9". Output 1 ounce per 33 full strokes.



## Dual-Pressure

| Model | Lube Capacity                | Extension                   | Length  | Max. Pressure |
|-------|------------------------------|-----------------------------|---------|---------------|
| 1013  | 16oz. Bulk/14.5oz. Cartridge | 6" & hydraulic coupler      | 22-1/2" | 7000/4000 psi |
| 1145  | 21oz. Bulk/14.5oz. Cartridge | 5853 6" & hydraulic coupler | 25-1/4" | 7000/4000 psi |

Specifications: Output at low pressure 1oz. per 18 strokes; at high pressure 1 oz. per 33 strokes using No. 1 cup grease at 70°F. Barrel diameter 2-1/4".

## High-Pressure

| Model | Lube Capacity                | Extension                   | Length  | Max. Pressure |
|-------|------------------------------|-----------------------------|---------|---------------|
| 1035  | 21oz. bulk/14.5oz. cartridge | 5834 6" & hydraulic coupler | 27-1/4" | 7000 psi      |

Specifications: Lubricant output 1 oz. per 25 strokes using No. 1 cup grease at 70°F. Barrel diameter 2-1/4".

## Volume

| Model | Lube Capacity                | Extension                   | Length  | Max. Pressure |
|-------|------------------------------|-----------------------------|---------|---------------|
| 1037  | 21oz. bulk/14.5oz. cartridge | 5834 6" & hydraulic coupler | 27-1/4" | 3000 psi      |

Specifications: Lubricant output 1 oz. per 9 strokes using No. 1 cup grease at 70°F. Barrel diameter 2-1/4".

# Clear Grease Guns

## Lincoln's Premium Line of Clear Grease Guns for 100% Positive Grease Identification

**Not All Grease Is Created Equally**—Different equipment, machines, bearing types and vehicles require different types of grease. Proper identification of the grease once installed in a grease gun can be challenging. Lincoln's clear tube allows for quick grease identification eliminating the risk of mixing incompatible or unspecified greases.

**Built to Last**—The high strength clear tube and aircraft aluminum adapters create one of the most durable tube assemblies in the industry. Traditional steel tubes are subject to damage in the workplace through drops and hits from other tools. The Lincoln clear tube design is impervious to this type of damage. Its resilient shell eliminates waste from grease bypass.

**Military Proven**—Lincoln's clear tube design was developed successfully for military maintenance support. The clear tube is being used successfully in these harsh environments, and it provides the 100% grease identification they demand.

### The clear design enables:

- Positive grease type identification (bulk or cartridge)
- Visual confirmation of quantity of grease remaining in tube (bulk)
- Visual confirmation of air pockets eliminating the loss of prime (bulk)
- Visual confirmation of grease separation or contamination (bulk)
- Perfect concentricity and resilience eliminates bypass (bulk or cartridge)
- Visual recognition of grease brand promotes quality of shop (cartridge)

### Clear Grease Gun Models

| Model   | Description                                                        |
|---------|--------------------------------------------------------------------|
| 1100CLR | Clear Tube – for easy conversion from standard Lincoln steel tubes |
| 1107CLR | Clear tube– for conversion of many competitive models.             |
| 1134CLR | Gun, heavy-duty pistol with clear tube                             |
| 1142CLR | Gun, lever with clear tube                                         |
| 1148CLR | Gun, lever deluxe with clear tube                                  |
| 1240CLR | 12V PowerLuber® with clear tube                                    |
| 1440CLR | 14.4V PowerLuber® with clear tube                                  |

Clear Tube Kits (1100CLR and 1107CLR) are available to allow the conversion of grease guns currently in use





## Grease Hose Extensions



5812



71512



1230



81726



81795



3029



3034



5858

### Premium Extensions for Manually Operated Grease Guns

Maximum working pressure 4500 psi. Strategically placed coil spring provides non-slip, push-pull grip and prevents accidental "kinking" which could cause hose ruptures.

| Model | Length | Thread Size |
|-------|--------|-------------|
| 5812  | 12"    | 1/8" NPT(m) |
| 5818  | 18"    | 1/8" NPT(m) |
| 5861  | 36"    | 1/8" NPT(m) |

### Extensions for Manually Operated Grease Guns

Maximum working pressure 3000 psi.

#### Manually Operated—Packaged

| Model | Length | Thread Size |
|-------|--------|-------------|
| 71512 | 12"    | 1/8" NPT(m) |
| 71518 | 18"    | 1/8" NPT(m) |

#### Manually Operated—Bulk (Unpackaged)

| Model   | Length | Thread Size |
|---------|--------|-------------|
| 75912CL | 12"    | 1/8" NPT(m) |
| 75918CL | 18"    | 1/8" NPT(m) |
| 75924CL | 24"    | 1/8" NPT(m) |
| 75936CL | 36"    | 1/8" NPT(m) |

### PowerLuber® Whip Hoses

Attaches with 7/16" UNEF fitting; 1/8" NPT(m) outlet. Working press. 7500 psi (517 bar). For use with 120-, 18-, 14.4- and 12-volt PowerLubers and pneumatic model 1162.

| Model | Length |
|-------|--------|
| 1218  | 18"    |
| 1224  | 24"    |
| 1230  | 30"    |
| 1236  | 36"    |

### Assemblies for Standard Hydraulic Fittings

Maximum working pressure 4500 psi.

| Model   | Whip Hose | Coupler | Thread Size |
|---------|-----------|---------|-------------|
| 81725   | 5818/18"  | 5845    | 1/8" NPT(m) |
| 81726   | 5812/12"  | 5845    | 1/8" NPT(m) |
| 81795 * | 5812/12"  | 5845    | 1/8" NPT(m) |

\* Includes 81980 locking sleeve.

### Assemblies for Button-Head Couplers with Swivel

Maximum working pressure 4000 psi. Includes 81606 swivel.

| Model | Whip Hose | Coupler        | Thread Size |
|-------|-----------|----------------|-------------|
| 3029  | 5812/12"  | 80933/large    | 1/8" NPT(m) |
| 3034  | 5812/12"  | 81458/standard | 1/8" NPT(m) |
| 3055  | 5861/36"  | 81458/standard | 1/8" NPT(m) |
| 3056  | 5861/36"  | 80933/large    | 1/8" NPT(m) |

### Flexible & Rigid Extension Adapter

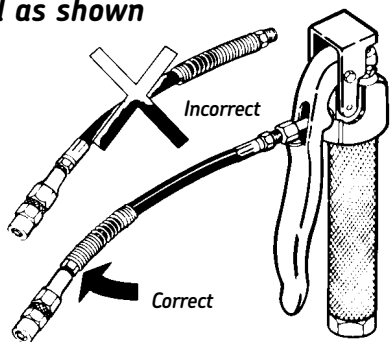
#### Model 5858

Maximum working pressure 5000 psi. Allows operator to switch from flexible to rigid extension with one hand. Overall length 13". 1/8" NPT(m). For use on hand guns or air operated grease control valves.

#### WARNING

Whip Hoses Models 3029, 3034, 5812, 5818, 5861, 81725, 81726, 81795

#### Install as shown



# Grease Accessories



5852

## Hydraulic Couplers

### Model 5852

- 6000 psi maximum operating pressure.
- For all hydraulic type grease fittings.
- Small outside diameter permits easy contact with recessed fittings.
- Built-in ball check prevents leak and lubricant backup.
- Inlet 1/8" NPT(f).
- Bulk part no. 245978

## Hydraulic Coupler Displays

### Model 5852

- One hydraulic coupler in a resealable clamshell.

### Model 5852-2

- Two hydraulic couplers in the same clamshell as the 5852.
- Bulk model no. 245978

### Model 5852-5

- Contains five couplers; reduces cost per unit.

### Model 5852-54 Counter Display

- Contains 54 couplers in a displayable box; best value.



Hydraulic Coupler Displays

## Model 5845 Heavy-Duty

- 7500 psi maximum operating pressure.
- 1 1/16" Hex
- Inlet 1/8" NPT
- Bulk part no. 245976



5848



5845



5883

## Model 5848 Adapter

- 7500 psi maximum operating pressure.
- Built-in swivel allows full 360° circle.
- Locks in any one of eight 45° positions.
- Adjustable coupler section permits contact with fittings in reverse positions.
- Angle body has 1/8" NPT(f) inlet permits addition of pipe extension when required.



81458



10536



80933

## Special Access Coupler

### Model 5883 90° Grease Coupler

- Provides access to difficult to reach fittings.
- Allows for easy lubrication in tight areas.

## Button-Head Couplers & Adapters

### Model 80933

4000 psi maximum operating pressure. For pull-on, push-on or hook-on service. Use with large 7/8" diameter button-head fittings. 7/16"-27 (f) thread.

### Model 81458

Same as 80933 except for 5/8" diameter button-head fittings.

### Model 10460

5000 psi maximum operating pressure. For adapting standard or large button-head couplers to hose with 1/8" NPT connections. 1/8" NPT(f) x 7/16"-27 (m) thread. Use gasket 31138, not included.

### Model 10536

4500 psi maximum operating pressure. For adapting standard or large button-head couplers to hose with 3/8" NPT connections. 3/8" NPT(f) x 7/16"-27 (m) thread. Use gasket 31138, not included.

## WARNING

**MATERIAL USE:** Lincoln swivels are to be used only to transport grease, oil and other lubricants and are designed only for these non-abrasive and noncorrosive purposes. Do not use with abrasive and corrosive materials such as sound-deadening materials which may contain limestone and mica particles. Transport of such materials causes rapid premature wear to critical swivel components and can cause failure of swivel. Failure could expose the user to severe bodily injury, permanent disfigurement or death.

**INSTALLATION & SERVICE:** Tighten all fluid connections securely before using swivel. Never exceed 7500 psi maximum operating pressure. Never alter or modify any part of the swivel. Never attempt to repair or disassemble the swivel while the system is pressurized. Never stop or deflect leaks with hand or body.

**MEDICAL ATTENTION:** Get medical attention immediately if exposed to high pressure fluids. Tell the attending physician what was injected.

## Grease Accessories



5834



5853



62028



\*5884



\*5859



\*5855



81980



\*5849



\*82784

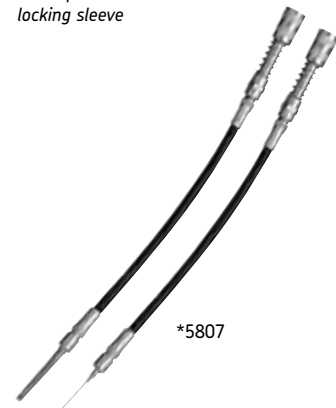


\*83278



58000

\* With quick-connect locking sleeve



\*5807

### Coupler Extensions

#### Model 5834

7500 psi maximum operating pressure. Includes 5845 coupler and 62028 6" extension tube. 1/8" NPT(m) connection.

#### Model 5853

6000 psi maximum operating pressure. Includes 5852 hydraulic coupler and 62028 6" extension tube. 1/8" NPT(m) connection.

### Rigid Extensions

#### Model 62028

6" length. Tough, heavy-wall seamless steel tubing. 1/8" NPT(m) at each end.

#### Model 62061

Same as 62028 except 12" length.

#### Model 62117

Same as 62028 except 18" length.

### Extensions Adapters

#### Model 5884\*

Contains the 5883 90° grease coupler plus a quick-connect locking sleeve for fast access to hard-to-reach lube points.

#### Model 5859 Angle\*

- 90° angle solves problem of contacting so-called "inaccessible" grease fittings.
- Design eliminates need to remove from "deep dish" wheels for lubrication of the tie rod ends and ball joints.
- Use to service cars, truck, machines and farm equipment.

#### Model 5855 Recessed\*

Straight extension. Use to lubricate recessed fittings where obstructions will not permit use of hydraulic coupler. Includes extension and locking sleeve.

#### Model 81980 Locking Sleeve\*

For adapting any 1/8" NPT(m) extension nozzle to a hydraulic coupler.

#### Model 5849 360 Degree\*

7500 psi maximum operating pressure. Includes 5848 360° coupler for full swivel, 2" steel extension tube and locking sleeve.

### Needle Nozzles

#### Model 5803

1/8" NPT(f) thread. Allows operator to contact flush type or hard-to-reach hydraulic type fittings.

#### Model 5806

Same as 5803 except 6" length.

#### Model 82784\*

Same as 5803 except with extension and locking sleeve.

#### Model 83278\*

Use to lubricate U-joints and spindles. Attaches to hydraulic coupler of control valve or grease gun. Includes rubber tip.

### Extension Kit

#### Model 58000

Heavy-duty lube accessory kit contains quick-connect versions of seven of Lincoln's most popular lube accessories. Use with all standard grease guns and dispensing devices. Includes models: 5849, 5855, 5859, 5884, 81795, 82784 and 83278.

### Grease Injection Tool

#### Model 5807\*

- Provides a solution to noisy sealed bearings, joints, chassis pivot points, dry splines, etc.
- Provides a way to apply a long-lasting lubricant into close-fitting areas
- Allows access into difficult-to-reach areas
- Includes a quick-connect coupler to limit grease by-pass
- Includes a threaded protective cap that removes and reattaches safely and easily
- Quickly attaches to all 3- and 4-jaw grease couplers
- For use with hand guns only

### Impact Fitting Cleaner

#### Model 5805

- Clears hardened grease from fittings/joints.
- Includes steel drive cylinder, piston, safety shield, high-pressure hose and 5852 coupler.



5805

## WARNING

Never point needle nozzles, adapters or coupler at any part of the body or another person.

# Packaged Grease Fittings



## Packaged Fittings—U.S. Threads

All the most popular fittings and sizes

### Model 5468 Mini

Ten assorted grease fittings in three popular sizes, blister packed on one card.

#### 5468 Assortment Contents

| Quantity | Description      |
|----------|------------------|
| 6        | 1/4"-28 straight |
| 2        | 1/4"-28 45°      |
| 2        | 1/4"-28 90°      |



5470

### Model 5470 Economy

24 assorted grease fittings in six popular sizes blister packed on one card.

#### Assortment Contents

| Quantity | Description                     |
|----------|---------------------------------|
| 6        | 1/8" NPT straight               |
| 6        | 1/4"-28 straight, short thread  |
| 3        | 1/8" NPT 45° angle              |
| 3        | 1/4"-28 45° angle, short thread |
| 3        | 1/8" NPT 90° angle              |
| 3        | 1/4"-28 90° angle, short thread |



5470



5469

### Model 5469 Deluxe

100 assorted grease fittings in six popular sizes. Sturdy, easy to handle transparent dispenser box has labeled and illustrated compartments.

#### Assortment Contents

| Quantity | Description                     |
|----------|---------------------------------|
| 20       | 1/8" NPT straight               |
| 40       | 1/4"-28 straight, short thread  |
| 10       | 1/4"-28 45° angle, short thread |
| 10       | 1/8" NPT 65° angle              |
| 10       | 1/8" NPT 90° angle              |
| 10       | 1/4"-28 90° angle, short thread |



5191



5291

### 1/4"-28 Taper Thread Packs

#### Short Thread Grease

| Model | Description                     |
|-------|---------------------------------|
| 5191  | Card of (10) straight fittings  |
| 5291  | Card of (10) 45° angle fittings |
| 5491  | Card of (10) 90° angle fittings |



5290

### 1/8" Pipe Thread Packs

#### Grease Fittings

| Model | Description                     |
|-------|---------------------------------|
| 5190  | Card of (10) straight fittings  |
| 5290  | Card of (10) 45° angle fittings |
| 5490  | Card of (10) 90° angle fittings |



5490

## Packaged Fittings—Metric Threads

All the most popular fittings and sizes

### Model 5184 Mini

An assortment of three of the most used 6mm sizes and configurations blister packed on one card.

#### Assortment Contents

| Quantity | Description  |
|----------|--------------|
| 6        | 6mm straight |
| 2        | 6mm 45°      |
| 2        | 6mm 90°      |

### Model 5185 Economy

30 grease fittings in three of the most popular 6mm metric sizes blister packed on one convenient card.

#### Assortment Contents

| Quantity | Description  |
|----------|--------------|
| 16       | 6mm straight |
| 6        | 6mm 45°      |
| 8        | 6mm 90°      |

### Model 5186 Deluxe

100 assorted grease fittings in all the most popular metric sizes. Sturdy, easy to handle dispenser box has labeled and illustrated compartments.

#### Assortment Contents

| Quantity | Description   |
|----------|---------------|
| 40       | 6mm straight  |
| 20       | 6mm 45°       |
| 10       | 6mm 90°       |
| 5        | 8mm straight  |
| 5        | 8mm 45°       |
| 5        | 8mm 90°       |
| 5        | 10mm straight |
| 5        | 10mm 45°      |
| 5        | 10mm 90°      |



5186



5184



# Boxed and Bulk Grease Fittings



## 1/8" NPT

| 100 Pc. Box No. | Bulk No. | Description | Length |
|-----------------|----------|-------------|--------|
| 5000C           | 5000     | Straight    | 21/32" |
| 5003C           | 5003     | Straight    | 1-1/4" |
| 5200C           | 5200     | 45° angle   | 7/8"   |
| 5300C           | 5300     | 65° angle   | 29/32" |
| 5400C           | 5400     | 90° angle   | 27/32" |

## 1/4" NPT

| 100 Pc. Box No. | Bulk No. | Description        | Length  |
|-----------------|----------|--------------------|---------|
| 5050C           | 5050     | 65° angle 1/4" NPT | 1-5/32" |
| 5350C           | 5350     | Straight 1/4" NPT  | 15/16"  |

## 1/4"-28 SAE



| 100 Pc. Box No. | Bulk No. | Description            | Length |
|-----------------|----------|------------------------|--------|
| 5010C           | 5010     | Straight-short thread  | 1/2"   |
| 5013C           | 5013     | Straight-long thread   | 11/16" |
| 5527C           | 5527     | Straight-short thread  | 31/64" |
| 5210C           | 5210     | 45° angle-short thread | 7/8"   |
| 5410C           | 5410     | 90° angle-short thread | 25/32" |

## Metric



| 100 Pc. Box No. | Bulk No. | Description | Length |
|-----------------|----------|-------------|--------|
| 5175C           | 5175     | Straight    | 6mm    |
| 5176C           | 5176     | 45°         | 6mm    |
| 5177C           | 5177     | 90°         | 6mm    |
| 5178C           | 5178     | Straight    | 8mm    |
| 5179C           | 5179     | 45°         | 8mm    |
| 5180C           | 5180     | 90°         | 8mm    |
| 5181C           | 5181     | Straight    | 10mm   |
| 5182C           | 5182     | 45°         | 10mm   |
| 5183C           | 5183     | 90°         | 10mm   |



## Button Head

| 100 Pc. Box No. | Bulk No. | Description        | Length |
|-----------------|----------|--------------------|--------|
| 5701C           | 5701     | 1/8" NPT(m) thread | 25/32" |
| 5706C           | 5706     | 1/4" NPT(m) thread | 53/64" |



## Drive Type

| 100 Pc. Box No. | Bulk No. | Description | Length | Drive Dia. |
|-----------------|----------|-------------|--------|------------|
| 5033C           | 5033     | Straight    | 9/16"  | 3/16"      |
| 5385C           | 5385     | 65° angle   | 13/16" | 3/16"      |
| —               | 5318     | 65° angle   | 49/64" | 1/4"       |
| 5031C           | 5031     | Straight    | 37/64" | 5/16"      |



## IMPORTANT ORDERING INFORMATION

To order **BULK FITTINGS**: specify exact quantity desired. Product will arrive in one package containing that quantity.

To order **100 PC. BOXED FITTINGS**: specify exact quantity of boxes desired. Product will arrive in boxes containing 100 fittings each.

# Fitting Thread Adapters, Bushings, Angle Bodies & Tools

## Metric Thread Adapters

Convert any 1/4"-28 thread grease fitting to metric thread.

### Metric Thread Adapters

| Model   | Thread             |
|---------|--------------------|
| 103307E | 6mm x 1/4"-28 (f)  |
| 103308E | 8mm x 1/4"-28 (f)  |
| 103309E | 10mm x 1/4"-28 (f) |

## Fitting Bushings & Angle Bodies

### Bushings & Angle Bodies

| Model | Description    | Length                    |
|-------|----------------|---------------------------|
| 10461 | Hex bushing    | 1/8" NPT(f) x 1/4" NPT(m) |
| 10787 | Face bushing   | 1/8" NPT(f) x 1/4" NPT(m) |
| 20028 | 45° angle body | 1/8" NPT(f) x 1/8" NPT(m) |
| 20029 | 90° angle body | 1/8" NPT(f) x 1/8" NPT(m) |
| 20026 | 90° angle body | 1/4"-28 (m) x 1/8" NPT(f) |



## Easy-Out Tools

A combination tool used to remove worn or broken fittings and to retap holes for installation of new fittings. Tool has socket wrenches for removing both straight and angle fittings. May also be used to remove old pin-type fittings.



### Model 66953

For tapping 1/4"-28 threads and removal of both 3/8" and 5/16" hex. straight or angle fittings.

### Model 90776

For tapping 1/8" NPT threads and removal of 7/16" hex. straight or angle fittings.

## Fitting Drive Tools

### Model 11485

Use to install straight Drive-Type Fittings only.

### Model 11509

Use to install angle Drive-Type Fittings only.



11509

# Wheel Bearing Packers

## Lincoln Bearing Packers

Flush and pack in one operation eliminating inefficient and messy hand packing.

### Model 224

Universal Bearing Packer forces out old grease while evenly injecting fresh grease. Pack bearing up to 4-1/2" I.D. Connects to standard grease coupler. 4.5" OD.

### Model 816

Servics bearings with 5/8" to 1-1/2" I.D. This versatile, compact unit mounts on work-bench or wall. Bearing is flushed and packed by contacting fitting in packer head with power gun control valve or by high-pressure hand gun. Overall dimension: 4-1/2" high, 4" wide. 3-1/4" OD.

### Model 102891

Bearing packer head only; for bench mounting or attachment to any Lincoln air-operated economy, Series 20 or Series 40 grease pump. Servics bearings 1-3/4" to 9-1/2" O.D. with minimum I.D. of 9/16". Accepts grease through fitting from high-pressure control valve or hand gun. For bench mount use 1/2" pipe flange.

### Model 844

Servics bearings to 9-1/2" O.D. with minimum 9/16" I.D. Includes adapters to service bearings from 1" to 1-3/4" O.D. For use with 120 lb. original refinery container (not included). Includes 84780 universal follower.

Specifications: Maximum pressure 800 psi. 1 ounce per stroke.  
Finish: Drum cover in red enamel, pump head and handle in black.  
Dimensions: Overall height 41-7/8" with standard 120 lb. drum.

### Model 102697 Super Speed Packer

Servics bearings with 5/8" to 1-1/2" I.D. with up to 3-1/4" O.D. on passenger cars, light trucks and farm vehicles. Clamps securely on 25 to 50 pound original refinery container. Primes easily and pumps efficiently even when using heavy greases at low temperatures. Includes flexible follower.

Specifications: 21" overall height.  
Finish: Drum cover in red enamel.

### Model 102929

Same as 102697 except has larger packer head to service bearing to 9-1/2" O.D. with minimum 9/16" I.D. Includes adapter to permit servicing smaller bearings of 1" to 1-3/4" O.D. Includes flexible follower plate.



# PMV Pump Family

## Designed for Exceptional Performance, Long Service Life, Low Maintenance Cost

Lincoln's new PMV family of grease and oil pumps represents 100 years of high-quality engineering, technology and manufacturing. The unique, modular design of these pumps includes precision-machined parts made with durable materials which allows for a longer pump life. Based on Lincoln's proven PowerMaster III air logic pump technology, PMV is a simple design with few moving parts. This translates to exceptional performance, long service life and low maintenance cost.

### PMV Features and Benefits

#### Air Valve Assembly

- Proven design based on the PowerMaster III air logic pump technology
  - More than 25 years of precision pump engineering ensures dependable, quiet performance
- Modular, fastened by four bolts
  - Quick and easy to maintain throughout the service life of the pump
- Precision machined and made from aircraft aluminum
  - Precise, durable and less susceptible to temperature than plastic spools
- Runs without external lubrication
  - Reduces cost of ownership
- No springs, rods, levers or slides
  - Fewer parts to wear out, increasing durability, decreasing repair cost
- Designed to work in a contaminated air supply

#### Air Cylinder

- One-piece cylinder casting contains all ports and passages
  - Simplifies repairs
- One-piece piston
  - No connection to any rods, spools, springs or poppets reduces premature mechanical failures, simplifies repairs
- One O-ring on the piston
  - Reduces leak paths, improves durability

#### Pump Tube

- One-piece, machined gland nut
  - Easy to maintain over the life of the pump
- Divorced pump tube and air motor seal
  - Air motor seal is a separate O-ring which reduces the chance of contamination in the motor

#### Pump Seals

- Made from durable polyurethane
  - Compatible with a wide range of natural and synthetic lubricants

#### Pump Rod

- Hard-chrome plated
  - Allows for superior sealing which extends the life of the rod

#### Outlet Check

- For oil pump models
- Protects pump from system back pressure





# High-Pressure, Portable, Heavy-Duty Grease Pumps

## 9989 50:1 – 25-, 50-lb. Portable with Pail Cover



Package Includes:

- Bare Pump Model No. 85791
- Drum Cover Model No. 275370
- Air Coupler/Nipple Model No. 5874/5875
- Universal Swivel Model No. 81387
- Flexible Follower Model No. 84775
- 7' Grease Hose Model No. 75084
- Straight Swivel Model No. 82399
- Control Valve Model No. 740

## 9917 50:1 – 120-lb. Portable with Caster Base

Package Includes:

- Bare Pump Model No. 85792
- Drum Cover Model No. 46007
- Air Coupler/Nipple Model No. 5874/5875
- Universal Swivel Model No. 81387
- Caster Base No. 80895
- Flexible Follower Model No. 84780
- 7' Grease Hose Model No. 75084
- Straight Swivel Model No. 82399
- Control Valve Model No. 740

## 9917-57 50:1 – 120-lb. Portable without Caster Base



### Accessories (included with 9917, 9989 shown above)

#### ***Follower Plates***

#### **Model 84775**

Deluxe universal follower for use with 25-50 lb. containers for 1", 1-1/4", 1-1/2" diameter pump tubes. All rubber unit ensures complete grease dispensing to the bottom of dented or plastic lined drums; wipes pail or drum clean. Metal cap holds insert firmly in place, ensuring seal and maintaining vacuum.

#### **Model 84780**

Same as 84775 except for use with 120 lb. containers for 1", 1-1/4", 2-1/8" diameter pump tubes. Used with Series 20 and 40 air-operated grease pumps.



84775



84780

#### **Model 81387 Universal High-Pressure Swivel**

1/2"-27(m) x 1/4" NPT(m)

#### **Model 740 Heavy-Duty High-Pressure**

- 7500 psi maximum operating pressure
- Precision-machined, all steel handle, body and guard bracket provides durability and longevity
- Unique, precision control inlet check valve provides ease of handle operation even with increase in pressure
- Knurled handle for positive grip
- Handy trigger guard prevents pinching
- Reversible inlet check seat and hydraulic jaws provide double life
- Balanced design reduces user fatigue
- Lubricant inlet 1/4" NPT(f); outlet 1/8" NPT(f)
- Easily repaired for extended life



740



81387

# High-Pressure, Portable, Heavy-Duty Grease Pumps

## Model 6917 Air-Operated Portable Grease Pump Package

Lincoln's new heavy-duty portable grease pump delivers the same volume and pressure as the more expensive pumps – but at an affordable price.

- Lincoln's time-tested, 2-1/2", 50:1, air-operated, double-acting grease pump ensures dependable, high-output grease delivery.
- Lube the hard-to-reach fittings with the heavy-duty control valve and universal swivel.
- Standard follower wipes 120 lb. drum sides clean and keeps the pump primed.
- Four-wheel dolly maneuvers easily around the shop.



6917

| Model | Ratio | Max. Pressure      | Output/Min Free Delivery     | Base             | Grease Hose         | Control Valve  | Swivel           | Follower             | Add Longer Grease Hose? | Add Hose Reel? |
|-------|-------|--------------------|------------------------------|------------------|---------------------|----------------|------------------|----------------------|-------------------------|----------------|
| 6917  | 50:1  | 7500 psi (517 bar) | 80 cubic in. (1311 cubic cm) | 84192 Band Dolly | 75084 7' Heavy Duty | 740 Heavy Duty | 81387 Heavy Duty | 274327 Std. Follower | Yes                     | Yes            |

## The Industry Standard



917

### Series 20 & 40 • 50:1 Air-Operated • Double Acting

The following models contain Lincoln's high-pressure Series 20 grease pumps.

#### Model 917 120 lb. Drum

Will dispense 45 ounces or 80 cubic inches of NLGI 0-2 grease per minute at 150 psi. Assures positive prime at lowest temperature. Drum cover 46007 finished in Lincoln red; roll-a-round base 80895 base in black; air motor cover in white. Height 43-1/8".

Base 17" square. Drum not included.

#### Model 917-57 120 lb. Drum

Same as 917 without roll-a-round base.

#### Model 346P 120 lb. Drum

Same as 917 except with 674 hand truck which provides convenient transportation for unit. Hand truck has two semi-pneumatic disc wheels and screw-type clamp which locks unit to truck. Drum not included.



346P

# High-Pressure, Portable, Heavy-Duty Grease Pumps



987

## Model 987 25-50 lb. Pail/60 lb. Bulk

For 25-30 lb. refinery containers or 60 lb. bulk. Gasket and air vent in lid assembly makes unit completely dust-proof, leak-proof and spill-proof. Ideal for use in all types of weather; container rust-proofed and finished in Lincoln red. Height 31-3/4"; inside diameter of container 12-1/2".

## Model 989 25-50 lb. Drum

Steel cover has three thumb screws to clamp securely to any original 25-50 lb. refinery container. Carrying handle provides easy portability. Follower plate assures positive prime at lowest temperatures. Cover rust-proofed and finished in Lincoln red. Bucket not included.



989

## Heavy-Duty Portable Grease Pump Assemblies

| Model  | Bare  | Drum Cover | Base | Delivery Kit* | Follower Plate | Drum Size |
|--------|-------|------------|------|---------------|----------------|-----------|
| 917-57 | 82050 | 46007      | NA   | Included      | 84780          | 120 lb.   |
| 987    | 83513 | 90656      | NA   |               | not supplied** | 25-50 lb. |
| 989    | 82716 | 91499      | NA   |               | 84775          | 25-50 lb. |

\*Delivery kits for all units include: 75084 high-pressure hose, 11659 nipple, 740 control valve, 815 air coupler, 82399 straight swivel and 81387 universal swivel.

\*\*Follower plate recommended to assure positive prime at lowest temperatures. Must be ordered separately.

NOTE: Free delivery 80 cu. in. per min.

## Value Series 40:1 Single-Acting Grease Pumps

### Features and Benefits

- Air-powered lubrication at an affordable price
- Portable medium- to light-duty chassis lubrication
- Simple grease plunger/bushing
- Control valve and universal swivel
- High-pressure
- Proven valved piston design
- Easy, one-hand operation
- Built for durability and reliability
- Maximum output: 5 cu. in./2.5 oz. per min.

## Pump Models

| Model                          | 4417                                                                                 | 4459      | 4489 |
|--------------------------------|--------------------------------------------------------------------------------------|-----------|------|
| Container Size                 | 120 lb.                                                                              | 25-50 lb. |      |
| Four Wheel Caster Dolly        | Yes                                                                                  |           | No   |
| Delivery Kit                   | High-Pressure Grease Control Valve and Coupler, Universal Swivel, 7' Connecting Hose |           |      |
| Ratio                          | 40:1                                                                                 |           |      |
| Air Motor Effective Diameter   | 2" / 52 mm                                                                           |           |      |
| Air Inlet Connection           | 1/4" NPTF (female)                                                                   |           |      |
| Lube Outlet                    | SAE-6 O-Ring Port                                                                    |           |      |
| Volume Output/Minute           | 5 in <sup>3</sup> / 82 cm <sup>3</sup>                                               |           |      |
| Max. Air Pressure              | 100 psi / 10.34 bar                                                                  |           |      |
| Minimum Air Pressure           | 40 psi / 2.75 bar                                                                    |           |      |
| Maximum Grease Output Pressure | 4000 psi / 413 bar                                                                   |           |      |
| Flexible Follower              | Included with all models                                                             |           |      |



4417



4459



602003

## Recommended Accessories

Air Line controls are a must for safe and effective pump operation.

| Model No. | Description                               |
|-----------|-------------------------------------------|
| 815       | 1/4"(f) Air Coupler                       |
| 11659     | 1/4"(m) Air Nipple                        |
| 602003    | 1/4" Miniature Air Regulator              |
| 247843    | Air Line Pressure Gauge                   |
| 10462     | 1/4" Pipe Nipple for Regulator attachment |

# 3" PMV Grease Pumps—Stationary and Replacement



| MODEL NO.                           | DESCRIPTION                       |
|-------------------------------------|-----------------------------------|
| <b>50:1 — 3" 25-, 50-lb. Models</b> |                                   |
| 85791                               | Bare Replacement Pump for 9989    |
| <b>50:1 — 3" 120-lb. Models</b>     |                                   |
| 85792                               | Bare Replacement Pump for 9917    |
| V350120DC                           | <b>Stationary Package</b>         |
| V350120000                          | Bare Pump                         |
| K050120DC                           | 120-lb. Stationary Kit            |
| 85826                               | Drum Cover                        |
| 10198                               | (2) Hose Connectors               |
| 80202                               | Elbow Union                       |
| 75060                               | 1/4" x 5' Grease Hose             |
| 273299                              | 3/8" x 5' Air Hose                |
| 84780                               | Follower                          |
| 5874/5875                           | Air Coupler/Nipple                |
| V350120HF                           | <b>Inductor Package</b>           |
| V350120000                          | Bare Pump                         |
| 274932                              | Hoist/Follower Kit                |
| V350120LT                           | <b>Lube Truck Package</b>         |
| V350120000                          | Bare Pump                         |
| K050120LT                           | 120-lb. Lube Truck Kit            |
| 85829                               | 120-lb. Drum Cover with Tie Downs |
| 80202                               | Elbow Union                       |
| 5874/5875                           | Air Coupler/Nipple                |
| 275415                              | Lifting Eye                       |
| <b>50:1 — 3" 400-lb. Models</b>     |                                   |
| V350400000                          | Bare Pump                         |
| V350400DC                           | <b>Stationary Package</b>         |
| V350400000                          | Bare Pump                         |
| K050400DC                           | 400-lb. Drum Cover Kit            |
| 85827                               | Drum Cover                        |
| 10198                               | (2) Hose Connectors               |
| 80202                               | Elbow Union                       |
| 75060                               | 1/4" x 5' Grease Hose             |
| 273299                              | 3/8" x 5' Air Hose                |
| 5874/5875                           | Air Coupler/Nipple                |
| V350400HF (not shown)               | <b>Inductor Package</b>           |
| V350400000                          | Bare Pump                         |
| 275260                              | Hoist/Follower Kit                |
| V350400LT                           | <b>Lube Truck Package</b>         |
| V350400000                          | Bare Pump                         |
| K050400LT                           | 400-lb. Lube Truck Kit            |
| 85829                               | 400-lb. Drum Cover with Tie Downs |
| 80202                               | Elbow Union                       |
| 5874/5875                           | Air Coupler/Nipple                |
| 275415                              | Lifting Eye                       |

## 50:1 3" Grease Pump Specifications

|                          |                                                  |
|--------------------------|--------------------------------------------------|
| Pumping Ratio            | 50:1                                             |
| Air Pressure             | 40 - 150 psi (2.7 - 10.3 bar)                    |
| Max. Output Pressure     | 7500 psi (517 bar)                               |
| Air Inlet                | 3/8 NPTF                                         |
| Material Outlet          | 1/4 NPTF                                         |
| Airmotor Bore Dia.       | 3 in. (76.2 mm)                                  |
| Stroke                   | 3-1/4 in. (82.5 mm)                              |
| Output Per Cycle         | 0.78 cu. in. (12.8 cc)                           |
| Wetted Parts             | Carbon Steel, Brass, Zinc, Polyurethane, Nitrile |
| Free Flow                | 168 in <sup>3</sup> /min. (2753 cc/min)          |
| Overall Length (35 Lb.)  | 27-7/8" (708 mm)                                 |
| Overall Length (120 Lb.) | 36-3/8" (924 mm)                                 |
| Overall Length (400 Lb.) | 42-7/8" (1089 mm)                                |

Decibels less than 85 at all normal operating conditions



## 4.25" PMV Grease Pumps–Stationary



| MODEL NO.                          | DESCRIPTION                       |
|------------------------------------|-----------------------------------|
| <b>50:1 — 4.25" 120-lb. Models</b> |                                   |
| V4501200000 (not shown)            | Bare Pump                         |
| V450120DC                          | Stationary Package                |
| V450120000                         | Bare Pump                         |
| K050120DC                          | 120-lb. Stationary Kit            |
| 85826                              | Drum Cover                        |
| 10198                              | (2) Hose Connectors               |
| 80202                              | Elbow Union                       |
| 75060                              | 1/4" x 5' Grease Hose             |
| 273299                             | 3/8" x 5' Air Hose                |
| 84780                              | Follower                          |
| 5874/5875                          | Air Coupler/Nipple                |
| V350120LT                          | 120-lb. Drum Cover with Tie Downs |
| V450120000                         | Elbow Union                       |
| K050120LT                          | Air Coupler/Nipple                |
| 84829                              | Lifting Eye                       |
| 80202                              | Elbow Union                       |
| 5874/5875                          | Air Coupler/Nipple                |
| 275416                             | Lifting Eye                       |
| <b>50:1 — 4.25" 400-lb. Models</b> |                                   |
| V4504000000                        | Bare Pump                         |
| V450400DC                          | Stationary Package                |
| V450400000                         | Bare Pump                         |
| K050400DC                          | 400-lb. Drum Cover Kit            |
| 85827                              | Drum Cover                        |
| 10198                              | (2) Hose Connectors               |
| 80202                              | Elbow Union                       |
| 75060                              | 1/4" x 5' Grease Hose             |
| 273299                             | 3/8" x 5' Air Hose                |
| 5874/5875                          | Air Coupler/Nipple                |
| V450400HF                          | Inductor Package                  |
| V450400000                         | Bare Pump                         |
| 275260                             | Hoist/Follower Kit                |
| V450400HR                          | Inductor/Runaway Package          |
| V450400000                         | Bare Pump                         |
| 85840                              | Runaway Control                   |
| 275260                             | Hoist/Follower Kit                |
| V450400LT                          | Lube Truck Package                |
| V450400000                         | Bare Pump                         |
| K050400LT                          | 400-lb. Lube Truck Kit            |
| 83115                              | 400-lb. Drum Cover with Tie Rods  |
| 80202                              | Elbow Union                       |
| 5874/5875                          | Air Coupler/Nipple                |
| 275416                             | Lifting Eye                       |

### 50:1 4.25" Grease Pump Specifications

|                                    |                                        |
|------------------------------------|----------------------------------------|
| Pumping Ratio                      | 50:1                                   |
| Air Pressure                       | 40-150 psi (2.7-10.3 bar)              |
| Max. Output Pressure               | 7500 psi (517 bar)                     |
| Air Inlet                          | 3/8 NPTF                               |
| Material Outlet                    | 1/4 NPTF                               |
| Airmotor Bore Dia.                 | 4-1/4 in. (108 mm)                     |
| Stroke                             | 3-1/4 in. (82.5 mm)                    |
| Output Per Cycle                   | 1.47 cu. in. (24.1 cc)                 |
| Wetted Parts Polyurethane, Nitrile | Carbon Steel, Brass, Zinc,             |
| Free Flow                          | 220 in <sup>3</sup> /min (3605 cc/min) |
| Overall Length (120 Lb.)           | 36-7/16" (926 mm)                      |
| Overall Length (400 Lb.)           | 42-15/16" (1091 mm)                    |

Decibels less than 85 at all normal operating conditions

# High-Pressure, Stationary Grease Pumps

**50:1 • Double Acting • Air-Operated**

**Shop/Plant/Lube Truck Applications\***

## Model 918 120 lb. Drum

Equipped with 82050 bare pump assembly, 46007 drum cover, 815 air coupler, 11659 air nipple, 72036 3' air connecting hose, 75060 5' high-pressure grease connecting hose, 84780 deluxe follower plate, 80202 volume elbow union. Height with drum is 39-3/8". Drum not included.



918

## Model 83447 Pump Elevator Assembly

Pump elevator assembly lifts pump assembly clear of drum for easy, one person drum changes. Also helps prevent introduction of foreign material into grease during drum changes. Height with drum is 39-3/8", 67-1/4" with elevator raised. Drum not included.



83447

## Model 926 400 lb. Drum

Equipped with 82054 bare pump assembly, 81523 drum cover, 815 air coupler, 11659 air nipple, 72036 3' air connecting hose, 75060 5' high-pressure grease connecting hose and 80202 volume elbow union. Height with drum is 46". Drum not included.



926

## Model 926-1 400 lb. Drum

Same as 926 except without 81523 drum cover.

**Shop/Garage Applications**

## Model 1418 120 lb. Drum

Equipped with 84667 bare pump assembly, 46007 drum cover, 815 air coupler, 11659 air nipple, 72036 3' air connecting hose, 75060 5' high-pressure grease connecting hose, 84780 deluxe follower plate and 80202 volume elbow union. Height with 120 lb. drum is 41-3/8". Drum not included.



1418

## Model 1426 400 lb. Drum

Equipped with 84668 bare pump assembly, 81523 drum cover, 815 air coupler, 11659 air nipple, 72036 3' air connecting hose, 75060 5' high-pressure grease connecting hose and 80202 volume elbow union. Height with 400 lb. drum is 48". Drum not included.

*NOTE: Deluxe follower plate 83366 is recommended for use when pumping extra-heavy lubricants and must be ordered separately for this model. See page 24.*

## Model 1426-1 400 lb. Drum

Same as 1426 except without 81523 drum cover.

## Model 2740 400 lb. Inductor

Equipped with 84668 bare pump assembly, 274681 primer assembly with follower, air powered hoist, 815 air coupler, 11659 nipple, 274728 7' air hose, 75084 7' grease hose, 602003 air regulator for hoist, and 274843 air gauge. Raised height is 97".



2740

## Grease Pumps

| Model | Description        | Bare Pump | Free Delivery (per min.) | Ratio | Drum Size | Air Inlet NPT | Material Outlet NPT |
|-------|--------------------|-----------|--------------------------|-------|-----------|---------------|---------------------|
| 918   | Shop/garage        | 82050     | 80 cu. in.               | 50:1  | 120 lb    | 1/4" (f)      | 1/4" (f)            |
| 926   | Shop/garage        | 82054     | 80 cu. in.               | 50:1  | 400 lb.   | 1/4" (f)      | 1/4" (f)            |
| 1418  | High-volume shop   | 84667     | 90 cu. in.               | 50:1  | 120 lb.   | 1/4" (f)      | 1/4" (f)            |
| 1426  | High-volume shop   | 84668     | 90 cu. in.               | 50:1  | 400 lb.   | 1/4" (f)      | 1/4" (f)            |
| 2740  | Pump with inductor | 84668     | 90 cu. in.               | 50:1  | 400 lb.   | 1/4" (f)      | 1/4" (f)            |

# High-Pressure Grease Pump Accessories



46007

## Drum Covers

### Model 46007

Drum cover for 120 lb. or 16-gallon open-top refinery containers for all series 20, 25 and 40 pumps.



81523

### Model 81523

Drum cover for 400 lb. or 55-gallon open-top refinery containers for all series 20, 25 and 40 pumps.



84775

## Follower Plates

Recommended when pumping lubricants that will not seek their own level.

### Model 84775

Deluxe universal follower for use with 25-50 lb. containers for 1", 1-1/4", 1-1/2" diameter pump tubes. All rubber unit ensures complete grease dispensing to the bottom of dented or plastic lined drums; wipes pail or drum clean. Metal cap holds insert firmly in place, ensuring seal and maintaining vacuum.



83366

### Model 84780

Same as 84775 except for use with 120 lb. containers for 1", 1-1/4", 2-1/8" diameter pump tubes. Used with Series 20 and 40 air-operated grease pumps.

### Model 83366

Deluxe pressed steel follower plate for 400 lb. drums includes a seal in the hub to prevent channeling of grease past the pump tube.



84191

## Drum Dollies

### Model 84191 25-50 lb. Band Dolly

Band-type dolly for any original 25-50 lb. refinery containers; caster 66060.



84377

### Model 84192 120 lb. Band Dolly

Band-type dolly for use with 120 lb. refinery containers; caster 66060.



84941

### Model 84377 Drum Dolly

Use with any 400 lb. drum. ID 23-1/4", height 5-1/4", hard rubber wheels: 1" wide, 2-1/2" dia.



80895



66060

### Model 674 Hand Truck

All steel, rugged construction with 6" dia. wheels. Finished in Lincoln red. 41" high x 15" wide. For use with an 120 lb. or 16-gallon drum.

### Model 80895 Roll-A-Round Base

Use with 120 lb. refinery containers. Four ball-bearing swivel casters and screw clamps.



674



80202

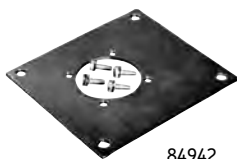
## Accessories

### Model 66060 2-1/2" Caster for Roll-A-Round Base Units

Standard equipment on Lincoln drum and band dollies.

### Model 84941

Eye bolt kit for all series 20, 25 and 40 pumps, makes drum changing easy. Two part kit screws directly onto pump for lifting with pump elevator.



84942

### Model 84942 Flange Mount Kit

For mounting Series 24 and 40 oil pumps to custom made tanks/lube trucks.

### Model 80202 Volume Elbow

For use in stationary installations with high-pressure Lubriguns. 1/4" NPT(m) inlet; 1/4" NPT(f) outlet.

# High-Pressure Grease Pump Accessories



## PowerMaster Pump Features

- Gives years of dependable trouble-free operation.
- Costs much less to operate—costs much less to maintain.
- High-volume output—air motor has extra-long stroke for powerful, uniform delivery on both up and down strokes.
- Shovel-type pump tube used to add mechanical priming to normal suction when needed.
- Sturdy construction—plunger and bushing of hardened steel for longer life, greater wear resistance.
- Plunger, bushing and air valve mating parts are micro-lapped to close tolerances. Prevents by-passing of lubricant and bleeding of air. Eliminates need to replace washers and packings.
- Simplified maintenance. Modular design of pump tube allows for easy disassembly. Air motor piston and cylinder...no oiling required, minimum friction, no leather cups.



81538



81412



83369

## Accessories

### Drum Covers

#### Model 81538

Standard 16-gallon drum cover for mounting PowerMaster II and III drum pumps to full open drums.

#### Model 81412

Standard 55-gallon drum cover for mounting PowerMaster II & III Series drum pumps on full open drums.

### Follower Plates

Recommended when pumping lubricants that will not seek their own level.

#### Model 83369

For 400 lb. drums. Diameter 21-5/8".

#### Model 84780

For 120 lb. drums.

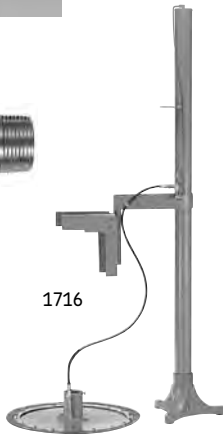
### Air Motor Muffler

#### Model 66764

For use on pump stations that incorporate the PowerMaster II air motor. 3/4" NPT(m). Two required per air motor.



66764



1716

## Model 1716 Pump Hoist

For use with all PowerMaster II Series 1900 pumps. Air-operated single post pump hoist for 55-gallon drums performs several functions in applications of low- to medium-viscosity materials. Facilitates drum changeovers. Includes follower and wiper which uses normal suction to help maintain pump prime.

## Specifications

| Model | Height     |                 | Operating Air Pressure psi / bar | Beam      |          | Lift Capacity   |
|-------|------------|-----------------|----------------------------------|-----------|----------|-----------------|
|       | Lowered    | Raised          |                                  | Length    | Rotation |                 |
| 1716  | 73" / 1.9m | 110-1/2" / 2.8m | 40-200 / 3-14                    | 19" / .5m | 360°     | 400 lbs / 182kg |

## Series 1900 PowerMaster High-Pressure Grease Pumps

| Model | Ratio | Pump Tube Type | Air Motor | Diameter in. / mm | Pump Tube | Material Outlet | Output per cycle cu. in / cc | Approx. Cycles per gal / liter |
|-------|-------|----------------|-----------|-------------------|-----------|-----------------|------------------------------|--------------------------------|
| 1903  | 40:1  | 55-gal         | 82730     | 4-1/4 / 108       | 82792     | 3/4" NPTF       | 2.8 / 46                     | 83 / 22                        |
| 1904  | 75:1  | 55-gal         | 82730     | 4-1/4 / 108       | 82793     | 3/4" NPTF       | 1.6 / 26                     | 144 / 39                       |
| 1908  | 75:1  | 16-gal         | 82730     | 4-1/4 / 108       | 82883     | 3/4" NPTF       | 1.6 / 26                     | 144 / 39                       |
| 1910  | 50:1  | 55-gal         | 82730     | 4-1/4 / 108       | 83271     | 3/4" NPTF       | 2.3 / 38                     | 101 / 26                       |

| Model | Gallons / Liters per Minute |          |          | Min. ID Air Supply Hose in. / mm | Air Consumption Per Cycle |                            |              |                             |
|-------|-----------------------------|----------|----------|----------------------------------|---------------------------|----------------------------|--------------|-----------------------------|
|       | 30 CPM                      | 50 CPM   | 70 CPM   |                                  | SCFM@70 psi               | M <sup>3</sup> /min.@5 bar | SCFM@100 psi | M <sup>3</sup> / min.@7 bar |
| 1903  | .4 / 1.4                    | .6 / 2.3 | .8 / 3.2 | 1/2" / 12                        | .5                        | .014                       | .62          | .017                        |
| 1904  | .2 / .8                     | .3 / 1.3 | .5 / 1.8 | 1/2" / 12                        | .5                        | .014                       | .62          | .017                        |
| 1908  | .2 / .8                     | .3 / 1.3 | .5 / 1.8 | 1/2" / 12                        | .5                        | .014                       | .62          | .017                        |
| 1910  | .3 / 1.1                    | .5 / 1.9 | .7 / 2.6 | 1/2" / 12                        | .5                        | .014                       | .62          | .017                        |

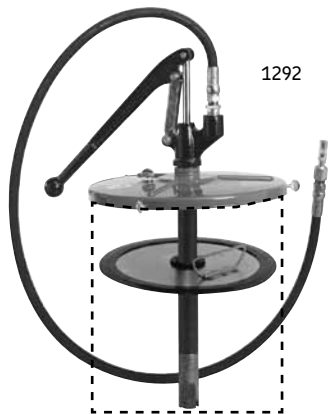
\*All PowerMaster pumps include 3/4" NPTF(m) x 1/2" NPTF(f) bushing in the material outlet.

Full range of Series II and Series III PowerMaster pumps available. See your Lincoln representative.

# High-Pressure Portable/Manual Pumps

## Manual Bucket Pumps

These quality-built Lincoln bucket pumps dispense high-pressure lubrication in any weather—even at 0°F. Select from pump units developing 2500 to 5000 psi for normal lubrication service or lubrication of trac-roll bearings.



### Model 1292 Grease Pump

Unit clamps on any 25-50 lb. refinery container in 60 seconds. Includes 275184 flexible follower. Dimensions: 21-1/2"h. x 12-1/4"w. Tube size 1-1/4".

### Model 1272

Large 30 lb. lubricant capacity with easy pumping action, develops a 3500 lb. maximum pressure to lubricate the most closely fitted bearings. Automatic pressure release prevents nozzle drippage, waste and mess. Pump and lid assembly easily removed as a single unit for filling. Order 7' hose and coupler assembly (81768) separately. Dimensions: 28"h x 14"w x 9"dia.

### Model 1275

All purpose pump dispenses both lubricants and greases. Especially useful for lubrication of trac-roller bearings. Handle slot pin switches for high pressure 5000 psi or high volume, low pressure 2000 psi delivery. 40 lb. capacity steel container filled through pivot cover opening in lid. May also be used for fast, clean refilling of transmissions, differentials, gear cases and final drives. Order 5' hose (79060) and coupler (80933) separately. Dimensions: 23-1/2"h x 11-3/8"w x 14-5/8" long.



1275 shown with optional hose and coupler assembly



## Delivery Hose Assemblies for Bucket Pumps

2250 psi maximum operating pressure

| Model                                               | Length | Swivel | Coupler Extension |
|-----------------------------------------------------|--------|--------|-------------------|
| <b>FOR CONTACTING HYDRAULIC FITTINGS</b>            |        |        |                   |
| 81768                                               | 7'     | 80924  | 5834              |
| <b>FOR CONTACTING STANDARD BUTTON-HEAD FITTINGS</b> |        |        |                   |
| 81673                                               | 7'     | 80924  | 81458             |
| <b>FOR CONTACTING LARGE BUTTON-HEAD FITTINGS</b>    |        |        |                   |
| 81168                                               | 7'     | 80924  | 80933             |

## Manual Grease Pumps

| Model                                                                             | Cont. Size  | Max. Pressure | Coupler Acces. | Hose        | Follower     | Output                           |
|-----------------------------------------------------------------------------------|-------------|---------------|----------------|-------------|--------------|----------------------------------|
| <b>FOR USE WITH ORIGINAL REFINERY CONTAINERS—SUPPLIED W/BUCKET COVER ASSEMBLY</b> |             |               |                |             |              |                                  |
| 1292                                                                              | 25–50 lb.   | 2500 psi      | 5852           | 5 ft. 79060 | 275184       | .303 oz./stroke <sup>1</sup>     |
| <b>SELF-CONTAINED MODELS</b>                                                      |             |               |                |             |              |                                  |
| 1275                                                                              | 40 lb. bulk | 5000 psi      | none           | none        | not supplied | .37 oz./stroke high <sup>2</sup> |
| 1272                                                                              | 30 lb. bulk | 3500 psi      | none           |             |              | .28 oz./stroke low               |

<sup>1</sup>Using no. 1 multi-purpose grease at 80°F

<sup>2</sup>Using no. 1 cup grease at 70°F

### WARNING

For safe and proper use, always consult instructions accompanying product. See **Safety Warning Information** for appropriate warnings.

# High-Pressure Portable/Manual Pumps



1296

## Filler Pumps—Portable & Stationary

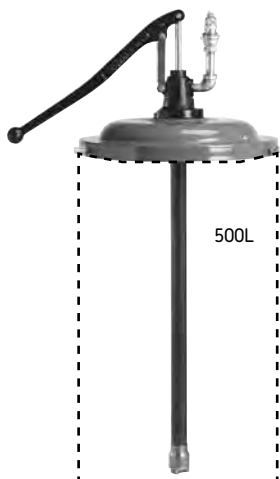
- Fast (less than a minute), positive gun refilling with simple pumping action
- Filler socket assembly eliminates mess, waste and air pockets

### Model 1296 Clamp-On Carry

Clamps to any original 25-50 lb. refinery container. Handles medium- and light-pressure lubricants in any weather. Includes pump, filler socket, 274790 flexible follower plate and ribbed steel drum cover. Rust resistant. Tube size 1-1/2".

### Model 500L Stationary 120 lb. Drum

For use with original refinery drums with maximum head diameter of 14-9/16" and overall height of 26-5/8". Handles all high-pressure lubricants. Includes pump, filler socket and drum cover with one set of adjusting screws to accommodate variations in drum diameter. Red enamel finish; pump head and handle in black. Delivers 1 oz. per stroke.



500L

## Filler pumps

| Model | Container Size | Follower Plate | Filler Socket** | Dimensions                |
|-------|----------------|----------------|-----------------|---------------------------|
| 1296  | 25-50 lb.      | 274790         | 274712          | 20"h x 12-1/4"w           |
| 500L  | 120 lb.        | none*          | 80133           | 26-5/8" h x 14-9/16" dia. |

\* For pumping extra heavy lubricants, order follower plate 84780 for 500L pump.

\*\*Requires 91108 filler nipple on receiving tool.



80133

### Model 80133 Filler Socket Assembly

Convert guns and pumps for fast, convenient, economical loading. For attaching to filler pumps that are not Lincoln models; 3/8" NPT(f).



91108

### Model 91108 Filler Nipple

Enables any grease gun to be loaded using a Lincoln filler pump or any filler pump with a 80133 filler socket assembly.



# 3" PMV Oil Pumps



| MODEL NO.              | DESCRIPTION                                    |
|------------------------|------------------------------------------------|
| <b>5:1 — 3" MODELS</b> |                                                |
| <b>V406000000</b>      | <b>Bare Pump</b>                               |
| <b>V40600SSU</b>       | <b>Stub/Universal Pump</b>                     |
| V406000000             | Bare Pump                                      |
| K40600SSU              | Stub/Universal Kit                             |
| 85824                  | Bung Bushing                                   |
| 5874/5875              | Air Coupler/Nipple                             |
| 72024A                 | 3/8" x 2' Air Hose                             |
| 73024                  | 1/2" x 2' Fluid Hose                           |
| 241584                 | 90° Swivel                                     |
| <b>V305055BB</b>       | <b>55-Gallon Pump</b>                          |
| V305000000             | Bare Pump                                      |
| K000055BB              | Stub/Universal Kit                             |
| 85824                  | Bung Bushing                                   |
| 5874/5875              | Air Coupler/Nipple                             |
| 273299                 | 3/8" x 5' Air Hose                             |
| 73060                  | 1/2" x 5' Fluid Hose                           |
| 85807                  | Down Tube                                      |
| 241584                 | 90° Swivel                                     |
| <b>V305016DC</b>       | <b>16-Gallon Pump</b>                          |
| <b>V305000000</b>      | <b>Bare Pump</b>                               |
| K000016DC              | Drum Cover Kit                                 |
| 85826                  | Drum Cover                                     |
| 85824                  | Bung Bushing                                   |
| 5874/5875              | Air Coupler/Nipple                             |
| 273299                 | 3/8" x 2' Air Hose                             |
| 73060                  | 1/2" x 5' Fluid Hose                           |
| 85806                  | Suction Tube                                   |
| <b>V305275BB</b>       | <b>275-Gallon Pump</b>                         |
| V305000000             | Bare Pump                                      |
| K000275BB              | 275-Gallon Pump Mount Kit                      |
| 85824                  | Bung Bushing                                   |
| 5874/5875              | Air Coupler/Nipple                             |
| 273299                 | 3/8" x 5' Air Hose                             |
| 73060                  | 1/2" x 5' Fluid Hose                           |
| 85949                  | Universal Suction Tube                         |
| <b>V30500SWM</b>       | <b>Wall Mount Pump</b>                         |
| V305000000             | Bare Pump                                      |
| 84945                  | Remote Suction Kit                             |
| 275398                 | Wall Mount Kit                                 |
| 5874/5875              | Air Coupler/Nipple                             |
| 273299                 | 3/8" x 5' Air Hose                             |
| 73060                  | 1/2" x 5' Fluid Hose                           |
| 241584                 | 90° Swivel                                     |
| 275413                 | Wall Mount Assembly                            |
| <b>V305055LT</b>       | <b>55-Gallon Lube Truck Pump</b>               |
| V305000000             | Bare Pump                                      |
| K000055LT              | Drum Cover and Hose Kit                        |
| 83115                  | 400-lb. Drum Cover with Tie Rods               |
| 85807                  | 85807                                          |
| 273299                 | 3/8" x 5' Air Hose                             |
| 73060                  | 1/2" x 5' Fluid Hose                           |
| 241584                 | 90° Swivel                                     |
| 275413                 | Wall Mount Assembly                            |
| <b>V410055LT</b>       | <b>55-Gal. Lube Truck Pump with Drum Cover</b> |
| V410000000             | Bare Pump                                      |
| K000055LT              | Drum Cover and Hose Kit                        |
| 83115                  | 400-lb. Drum Cover with Tie Rods               |
| 85807                  | Down Tube                                      |
| 275415                 | Lifting Eye                                    |
| 5874/5875              | Air Coupler/Nipple                             |
| 273299                 | 3/8" x 5' Air Hose                             |

# 4.25" PMV Oil Pumps



| MODEL NO.                  | DESCRIPTION                                |
|----------------------------|--------------------------------------------|
| <b>6:1 — 4.25" Models</b>  |                                            |
| V406000000                 | Bare Pump                                  |
| V40600SSU                  | Stub Pump                                  |
| V406000000                 | Bare Pump                                  |
| K40600SSU                  | 6:1 Stub Kit                               |
| 5874/5875                  | Air Coupler/Nipple                         |
| 72024A                     | 3/8" x 2' Air Hose                         |
| 73024                      | 1/2" x 2' Fluid Hose                       |
| 241584                     | 90° Swivel                                 |
| V40600SWM                  | Wall Mount Pump                            |
| V406000000                 | Bare Pump                                  |
| 84945                      | Remote Suction Kit                         |
| 275398                     | Wall Mount Kit                             |
| 5874/5875                  | Air Coupler/Nipple                         |
| 273299                     | 3/8" x 5' Air Hose                         |
| 73060                      | 1/2" x 5' Fluid Hose                       |
| 241584                     | 90° Swivel                                 |
| 275413                     | Wall Mount Assembly                        |
| <b>10:1 — 4.25" Models</b> |                                            |
| V410000000                 | 10:1 Bare Pump                             |
| V41000SSU                  | 10:1 Stub/Universal Pump                   |
| V410000000                 | Bare Pump                                  |
| K00000SSU                  | Stub/Universal Kit                         |
| 85824                      | Bung Bushing                               |
| 5874/5875                  | Air Coupler/Nipple                         |
| 72024A                     | 3/8" x 2' Air Hose                         |
| 73024                      | 1/2" x 2' Fluid Hose                       |
| 241584                     | 90° Swivel                                 |
| V410055DC                  | 55-Gallon Pump with Drum Cover             |
| V410000000                 | Bare Pump                                  |
| K000055DC                  | 55-Gallon Drum Cover Kit                   |
| 85827                      | Drum Cover                                 |
| 5874/5875                  | Air Coupler/Nipple                         |
| 273299                     | 3/8" x 5' Air Hose                         |
| 73060                      | 1/2" x 5' Fluid Hose                       |
| 85807                      | Suction Tube                               |
| 241584                     | 90° Swivel                                 |
| V410055BB                  | 55-Gallon Pump with Bung Bushing           |
| V410000000                 | Bare Pump                                  |
| K000055BB                  | 55-Gallon Bung Mount Kit                   |
| 85824                      | Bung Bushing                               |
| 5874/5875                  | Air Coupler/Nipple                         |
| 273299                     | 3/8" x 5' Air Hose                         |
| 85807                      | Down Tube                                  |
| 241584                     | 90° Swivel                                 |
| V41000SWM                  | Wall Mount Pump                            |
| V410000000                 | Bare Pump                                  |
| 84945                      | Remote Suction Kit                         |
| 275398                     | Wall Mount Kit                             |
| 5874/5875                  | Air Coupler/Nipple                         |
| 273299                     | 3/8" x 5' Air Hose                         |
| 73060                      | 1/2" x 5' Fluid Hose                       |
| 241584                     | 90° Swivel                                 |
| 275413                     | Wall Mount Assembly                        |
| V410055LT                  | 55-Gal. Lube Truck Pump with Drum Cover    |
| V410000000                 | Bare Pump                                  |
| K000055LT                  | Drum Cover and Hose Kit                    |
| 83115                      | 400-lb. Drum Cover with Tie Rods           |
| 85807                      | Down Tube                                  |
| 275415                     | Lifting Eye                                |
| 5874/5875                  | Air Coupler/Nipple                         |
| 273299                     | 3/8" x 5' Air Hose                         |
| V410055LB                  | 55-Gal. Lube Truck Pump with Bung Bushing  |
| V410000000                 | Bare Pump                                  |
| K000055LB                  | 55-Gallon Lube Truck Kit with Bung Bushing |
| 85824                      | Bung Bushing                               |
| 83131                      | Tie Rod Kit                                |
| 85807                      | Suction Tube                               |
| 5874/5875                  | Air Coupler/Nipple                         |
| 273299                     | 3/8" x 5' Air Hose                         |

**6:1 PUMPS FOR STUB OR WALL MOUNT ONLY. NOT FOR USE WITH BUNG BUSHINGS.**

# PMV Pump Specifications

## 5:1 3" Oil Pumps

|                                    |                              |
|------------------------------------|------------------------------|
| Pumping Ratio                      | 5:1                          |
| Air Pressure                       | 40-150 psi<br>(2.7-10.3 bar) |
| Max. Output Pressure               | 750 psi (51 bar)             |
| Air Inlet                          | 3/8 NPTF                     |
| Material Outlet                    | 1/2 NPTF                     |
| Material Inlet                     | 1-1/2 NPTF                   |
| Airmotor Bore Dia.                 | 3 in. (76.2 mm)              |
| Stroke                             | 3-1/4 in. (82.5 mm)          |
| Output Per Cycle                   | 6.7 cu. in. (110 cc)         |
| Cycles/Gal (Liter)                 | 34.5 (9.1)                   |
| Wetted Parts Polyurethane, Nitrile | Carbon Steel, Brass, Zinc,   |
| Free Flow                          | 7 gpm (26.5 lpm)             |
| Overall Length (Stub)              | 17-3/8" (442 mm)             |

Decibels less than 85 at all normal operating conditions

## 10:1 4.25" Oil Pumps

|                                    |                              |
|------------------------------------|------------------------------|
| Pumping Ratio                      | 10:1                         |
| Air Pressure                       | 40-150 psi<br>(2.7-10.3 bar) |
| Max. Output Pressure               | 1500 psi (103 bar)           |
| Air Inlet                          | 3/8 NPTF                     |
| Material Outlet                    | 1/2 NPTF                     |
| Material Inlet                     | 1-1/2 NPTF                   |
| Airmotor Bore Dia.                 | 4-1/4 in. (108 mm)           |
| Stroke                             | 3-1/4 in. (82.5 mm)          |
| Output Per Cycle                   | 7.2 cu. in. (118 cc)         |
| Cycles/Gal (Liter)                 | 32.1 (8.5)                   |
| Wetted Parts Polyurethane, Nitrile | Carbon Steel, Brass, Zinc,   |
| Free Flow                          | 5 gpm (18.4 lpm)             |
| Overall Length                     | 17-7/16" (443 mm)            |

Decibels less than 85 at all normal operating conditions

## 6:1 4.25" Oil Pumps

|                                    |                               |
|------------------------------------|-------------------------------|
| Pumping Ratio                      | 6:1                           |
| Air Pressure                       | 40-150 psi<br>(2.7 -10.3 bar) |
| Max. Output Pressure               | 900 psi (62 bar)              |
| Air Inlet                          | 3/8 NPTF                      |
| Material Outlet                    | 1/2 NPTF                      |
| Material Inlet                     | 1-1/2 NPTF                    |
| Airmotor Bore Dia.                 | 4-1/4 in. (108 mm)            |
| Stroke                             | 3-1/4 in. (82.5 mm)           |
| Output Per Cycle                   | 11.9 cu. in. (195 cc)         |
| Cycles/Gal (Liter)                 | 19.4 (5.1)                    |
| Wetted Parts Polyurethane, Nitrile | Carbon Steel, Brass, Zinc,    |
| Free Flow                          | 7 gpm (26.5 lpm)              |
| Overall Length                     | 18-7/8" (480 mm)              |

Decibels less than 85 at all normal operating conditions

NOTE:

6:1 pumps for stub or wall mount only. Not for use with bung bushings. Use the suction kit and wall mount bracket that are packaged with the pump assembly model.

# Medium-Pressure, Stationary Oil Stub Pumps

## 3:1–5:1 • Motor Oil, ATF, Gear Lube and Other Fluid Lubricants

Now you can build your 3:1 ratio or 5:1 ratio oil pump with a stub pump plus suction kit or you can order complete models. You make the choice.



282398

### Series 25 Pumps

This 2" diameter, 25 cubic inch displacement stub pump family is based on our 3:1 ratio 282396 bare stub pump.

### Model 282398

3:1 pressure ratio stub pump assembly comes complete with 282396 bare stub pump, 84935 pump cover kit, 73024 oil connecting hose, 72024 air connecting hose, 241584 90° volume union elbow, 815 air coupler, 11659 air nipple and 84538 bung bushing. Delivers a uniform six gallons of product per minute free delivery. Ideal for dispensing fluids from drums, tanks or remote standpipe mount.



84538



84934

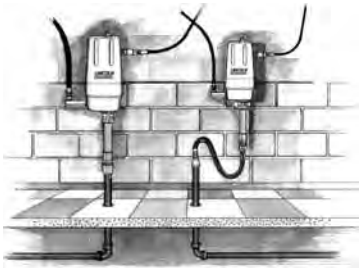
### Series 40 Pumps

This industry proven 2-1/2" diameter, 40 cubic inch displacement stub pump family is based on the Lincoln 5:1 ratio 84933 bare stub pump.

### Model 84934

5:1 pressure ratio stub pump assembly comes complete with 84933 bare stub pump, 85935 pump cover kit, 73024 oil connecting hose, 72024 air connecting hose, 241584 90° volume union elbow, 815 air coupler, 11659 air nipple and 84538 bung bushing. Delivers a uniform six gallons of product per minute free delivery.

## Versatile Stub Pump Mounting Options



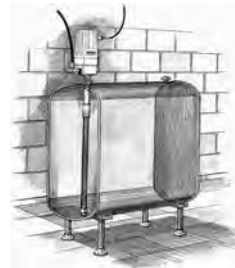
**Standpipe and wall mount assembly to remote bulk tanks**

3:1 (282398) or 5:1 (84934) pump, wall mount kit (84940), low level cut-off (84946) or foot valve (85765).



**Wall mount to any size drum**

3:1 (282398) or 5:1 (84934) pump, wall mount kit (84940), suction kit (84945) and low level cut-off (84946) or foot valve (85765).



**Above ground tank**

(275-gallon tank shown) 3:1 (282398) or 5:1 (84934) pump and universal suction kit (85949).



**55-gallon drum mount using bung bushing**

3:1 (282398) or 5:1 (84934) pump and 55-gallon drum suction (85755).



**16-gallon drum mount using drum cover**

3:1 (282398) or 5:1 (84934) pump, drum cover (46007) and 16-gallon drum suction kit (85716).



**55-gallon drum mount on lube truck using drum cover**

3:1 (282398) or 5:1 (84934) pump, eyebolt kit (84941), drum cover/tie-down kit (83115) and 55-gallon drum suction kit (85755).

## Medium-Pressure, Stationary Oil Pumps

### 3:1–5:1 • Motor Oil, ATF, Gear Lube and Other Fluid Lubricants

#### Shop/Garage/Lube Truck\* Applications —16-Gallon Drums

##### Model 2437

Complete with pump, 73060 lubricant connecting hose, 241584 volume elbow, 72060 air connecting hose, 815 air coupler, 11659 air nipple.

##### Model 83447

Pump elevator assembly lifts pump assembly clear of drum for easy, one person drum changes. Helps prevent introduction of foreign material into grease during drum changes. Height with drum is 39-3/8", 67-1/4" with elevator raised. Drum not included.



#### 55-Gallon Drums

##### Model 2424

Comes complete with 282133 pump, 84538 2" NPT(m) bung bushing, to fit original 55-gallon bung opening drums, 241584 volume union elbow, 815 air coupler, 11659 air nipple, 73060 lubricant connecting hose and 72060 air hose.

#### 250-/275-Gallon Tanks

##### Model 284168

Comes complete with 282396 pump and 85949 universal suction tube kit, 84538 bung bushing, air and lubricant connecting hose. Pumps oil, gear lube, ATF, etc. from tanks, drums.



\*For lube truck applications, contact your Lincoln distributor.

All models based on the 282396 series 25 3:1 bare oil pump which delivers 6 gpm free flow plus a suction tube.

### Series 25 Oil Pumps

| Model  | Description                     | Bare Pump No. | Free Delivery | Ratio | Drum Size       | Air Inlet | Material Outlet | Use/ Location |
|--------|---------------------------------|---------------|---------------|-------|-----------------|-----------|-----------------|---------------|
| 282133 | Bare drum pump                  | 282396        | 6 gallons     | 3:1   | 55-gallon       | 1/4" NPT  | 1/2" NPT        | replacement   |
| 282396 | Bare stub pump                  | 282396        | 6 gallons     | 3:1   | stub/universal  | 1/4" NPT  | 1/2" NPT        | universal     |
| 2424   | Stationary                      | 282133        | 6 gallons     | 3:1   | 55-gallon       | 1/4" NPT  | 1/2" NPT        | shop          |
| 2437   | Stationary w/ suction kit 85716 | 282396        | 6 gallons     | 3:1   | 16-gallon       | 1/4" NPT  | 1/2" NPT        | shop          |
| 282398 | Stub pump assemb.               | 282396        | 6 gallons     | 3:1   | stub/universal  | 1/4" NPT  | 1/2" NPT        | universal     |
| 284168 | Stationary tank                 | 282396        | 6 gallons     | 3:1   | 250-/275-gallon | 1/4" NPT  | 1/2" NPT        | shop          |

All models based on the 84933 Series 40 5:1 bare oil pump which delivers 6 gpm free flow plus a suction tube.

### Series 40 Oil Pumps

| Model  | Description                             | Bare Pump No. | Free Delivery | Ratio | Drum Size        | Air Inlet | Material Outlet | Use/ Location |
|--------|-----------------------------------------|---------------|---------------|-------|------------------|-----------|-----------------|---------------|
| 84933  | bare stub pump                          | 84933         | 6 gallons     | 5:1   | stub/universal   | 1/4" NPT  | 1/2" NPT        | universal     |
| 285133 | bare pump w/ tube                       | 84933         | 6 gallons     | 5:1   | 55-gallon        | 1/4" NPT  | 1/2" NPT        | replacement   |
| 2524   | stationary 55 gal.                      | 84933         | 6 gallons     | 5:1   | 55-gallon        | 1/4" NPT  | 1/2" NPT        | shop          |
| 2537   | stationary 16 gal. w/ suction kit 85716 | 84933         | 6 gallons     | 5:1   | 16-gallon        | 1/4" NPT  | 1/2" NPT        | shop          |
| 84934  | stub pump assembly                      | 84933         | 6 gallons     | 5:1   | stub/universal   | 1/4" NPT  | 1/2" NPT        | universal     |
| 285168 | stationary tank                         | 84933         | 6 gallons     | 5:1   | 250- or 275-gal. | 1/4" NPT  | 1/2" NPT        | shop          |

# Medium-Pressure Pump Accessories

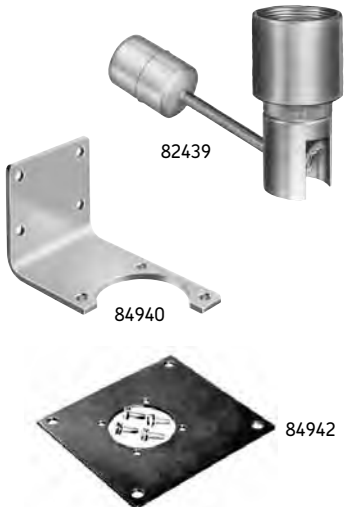
## Series 25 & 40

### Bung Bushing / Low Level Cut-Off / Foot Valves



| Model | Description       | Threaded Connection | Notes                                                  |
|-------|-------------------|---------------------|--------------------------------------------------------|
| 84538 | Pump bung bushing | 2" (m)              | Mounts series 25 or 40 pump to 2" oil drum opening     |
| 85824 | Bung bushing      | 2" NPTF (m)         | Mounts PMV pumps to 55 gal. drum or custom-built tanks |
| 82439 | Low-level cutoff  | 1-1/2" NPT(m)       | Used with "new oil" oil pumps                          |
| 84946 | Low-level cutoff  | 1" NPT(m)           | Used with "new oil" oil pumps                          |
| 85765 | Foot valve        | 1" NPT(f)           | Used with "new oil" oil pumps                          |

### Wall Mount Kit



| Model | Description                     | Notes                                          |
|-------|---------------------------------|------------------------------------------------|
| 84940 | Wall-mount kit-Series 25 & 40   | Used with 84945 Suction Kit                    |
| 84942 | Flange-mount kit-Series 25 & 40 | Mounts pump to custom made tanks (lube trucks) |

### Suction Kits

| Model | Description                      | Threaded Connection | Notes                                                   |
|-------|----------------------------------|---------------------|---------------------------------------------------------|
| 84945 | Remote suction kit               | 1" NPT(f)           | Includes 5' oil hose, bung bushing and 1" x 32" pipe    |
| 85716 | 16-gal. drum suction kit         | 1" NPT(m)           | Adapts any series 25 or 40 oil pump to 16-gallon drum   |
| 85755 | 55-gal. drum suction kit (steel) | 1" NPT(m)           | Adapts any series 25 or 40 oil pump to 55-gallon drum   |
| 85949 | Universal suction kit            | 1" NPT(m)           | Adapts any series 25 or 40 oil pump to drum or tank use |

### Pump Covers



| Model | Description | Notes                |
|-------|-------------|----------------------|
| 84935 | Pump cover  | Series 20 pumps      |
| 85935 | Pump cover  | Series 25 & 40 pumps |

### Hose



| Model | Description                   | Threaded Connection | Notes                          |
|-------|-------------------------------|---------------------|--------------------------------|
| 72036 | 3' low-pressure connecting    | 1/4" NPT(m)         | Max working pressure: 250 psi  |
| 72060 | 5' low-pressure connecting    | 1/4" NPT(m)         | Max working pressure: 250 psi  |
| 73036 | 3' medium-pressure connecting | 1/2" NPT(m)         | Max working pressure: 1000 psi |
| 73060 | 5' medium-pressure connecting | 1/2" NPT(m)         | Max working pressure: 1000 psi |

### Eye Bolt Kit

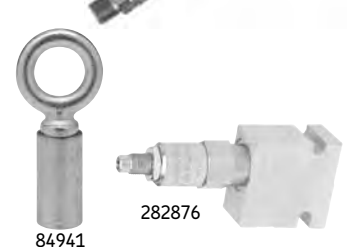
#### Model 84941

Eye bolt kit for all series 20, 25 and 40 pumps, makes drum changing easy. Two part kit screws directly onto pump for lifting with pump elevator.

### Thermal Pressure Relief Valve

#### Model 282876

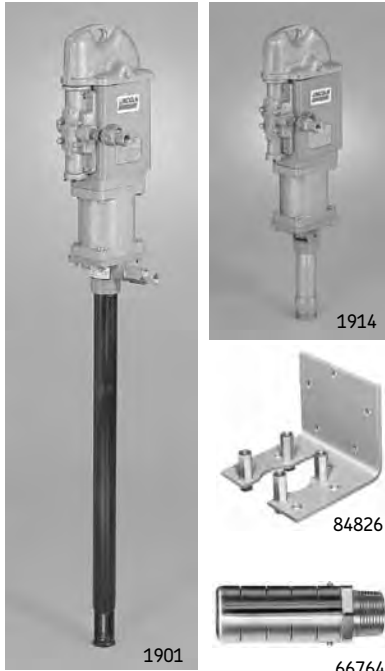
Protect lube system components from high-pressure spikes caused by temperature change in a closed fluid network.



| Model  | Application                  | Pre-Set Relief Pressure | Port Size |
|--------|------------------------------|-------------------------|-----------|
| 282876 | Diaphragm Pumps,<br>3:1, 5:1 | 1000 psi (68 bar)       | 1/2" NPT  |
| 282902 |                              | 150 psi (10 bar)        |           |
| 275197 |                              | 500 psi (34 bar)        |           |
| 282597 |                              | 1500 psi (105 bar)      |           |



# Medium-Pressure, Stationary, HD PowerMaster® II Pumps



## Motor Oil, ATF, Gear Lube and Other Solutions

### PowerMaster Pump Features

- Gives years of dependable trouble-free operation.
- Costs much less to operate—costs much less to maintain.
- High-volume output—air motor has extra-long stroke for powerful, uniform delivery on both up and down strokes.
- Pump outlet body of all-steel construction designed to withstand pulsation and extreme pressure. All wearing parts are tough, heat-treated steel.
- Trouble-free, positive performance. Air motor operation has no springs to wear out, rust or lose tension. Air valve is stall-proof, leak-proof and pre-lubricated. Double-acting mechanisms ensure dependable low-surge operation with minimum air consumption.
- Simplified maintenance. Modular design of pump tube allows for easy disassembly. Air motor piston and cylinder...no oiling required, minimum friction, no leather cups.

### Model 84826 Universal Wall Mounting Bracket

For PowerMaster II or III air motor assemblies.

### Air Motor Muffler

#### Model 66764

For use on pump stations that incorporate the PowerMaster II air motor. 3/4" NPT(m). Two required per air motor.

## Ball Type Medium-Pressure Pumps

| Model | Ratio | Pump Tube Type | Air Motor | Diameter in. / mm | Pump Tube | Material Outlet** | Output per cycle cu. in / cc | Approx. Cycles per gal / liter |
|-------|-------|----------------|-----------|-------------------|-----------|-------------------|------------------------------|--------------------------------|
| 1901  | 12:1  | 55-gal         | 82730     | 4-1/4" / 108      | 82790     | 3/4" NPTF         | 9 / 148                      | 26 / 7                         |
| 1952  | 6:1   | 55-gal         | 82895     | 3" / 76           | 82790     | 3/4" NPTF         | 9 / 148                      | 26 / 7                         |

## Medium-Pressure Stub Pumps

| Model | Ratio | Pump Tube Type | Air Motor | Diameter in. / mm | Pump Tube | Material Outlet** | Output per cycle cu. in / cc | Approx. Cycles per gal / liter |
|-------|-------|----------------|-----------|-------------------|-----------|-------------------|------------------------------|--------------------------------|
| 1914  | 12:1  | stub           | 82730     | 4-1/4" / 108      | 84335     | 3/4" NPTF         | 9 / 148                      | 26 / 7                         |

\* Not to be used with meters. \*\* All PowerMaster pumps include 3/4" NPTF(m) x 1/2" NPTF(f) bushing in the material outlet.

NOTE: Model number with "-1" indicates model including bung bushing (ex., 1935-1).

Model number with "-2" indicates model including drum cover (ex., 1935-2).

Full range of Series II and Series III PowerMaster pumps available. See your Lincoln representative.



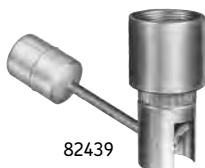
### Model 83132 Bung Bushing

Screws in bung opening of 400 lb. drums and custom-built tanks to secure any PM II & III pumps. Plated to resist rust. Threaded 2" NPT(m).



### Model 84945 Suction Kit

For transfer of product from drums, bulk tanks or reservoirs. Includes bung bushing suction tube, hose and coupling assembly.



### Model 82439 Low-Level Cutoff

Automatically shuts off flow of oil; keeps supply lines primed. Recommended when dispensing oil through metering devices to conform with standards of the National Conference of Weights and Measures. Assembles to 1-1/2" NPT standpipe which assembles to pump.



### Model 84946 Low-Level Cutoff

Same as 82439, except 1" NPT.

### Thermal Pressure Relief Valve Model 282876

Protect lube system components from high-pressure spikes caused by temperature change in a closed fluid network.

| Model  | Application               | Pre-Set Relief Pressure | Port Size |
|--------|---------------------------|-------------------------|-----------|
| 282876 | Diaphragm Pumps, 3:1, 5:1 | 1000 psi (68 bar)       | 1/2" NPT  |

# Medium-Pressure, Portable/Manual Fluid Pumps

## Medium-Pressure • Gear Lube and ATF

### Air-Operated Mobile Gear Lube Dispensers

Fast, clean refilling using efficient Lincoln air-operated pumps.

- 3:1 (2435) and 5:1 (2535) pump ratios delivers gear oil with minimum consumption.
- Air expeller built into pump tube prevents air from registering through meter.
- Large replaceable swivel casters provide ease of maneuverability (mobile models).
- Baked on enamel finish retards rust and corrosion.
- Includes air coupler 815 and 780 shut-off valves. Drum not included.



### Manual Gear Lube Dispensers

These quality manually operated pumps provide fast, clean refilling of differentials, gear cases and final drives.

- Cast iron pump outlet body and handle (except 1293) provide durability and longevity.
- Metered models have air expeller built into pump tube (prevents air from registering on meter).
- Large replaceable swivel casters provide ease of maneuverability (mobile models).
- Baked enamel finish helps prevent rust and corrosion.
- Self-contained units and sealed models prevent contamination or spillage of product being dispensed.
- Smooth, easy pumping action (no crank or gears) dispenses all types of gear lubricants, even in the coldest weather.



### ATF Dispensers

Provides fast, clean refilling of all types of transmissions. Ideal for passenger vehicles, light trucks and vans.

- Cast iron pump outlet body and handle provide durability and longevity.
- Air expeller built into pump tube prevents air from registering through meter.
- Large replaceable swivel casters provide ease of maneuverability (mobile models).
- Baked-on enamel finish retards rust and corrosion.
- Smooth, easy pumping action for positive fluid dispensing, even in the coldest weather.

### WARNING

For safe and proper use of pumps, always consult instructions accompanying product. See Safety Warning Information for appropriate warnings.



1253

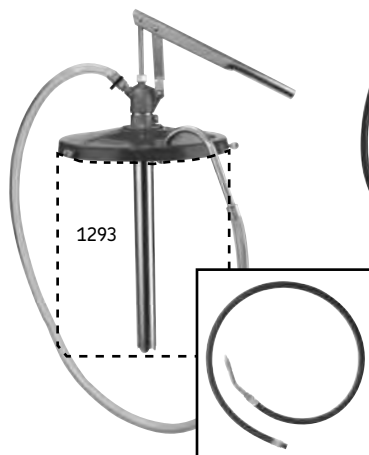


527

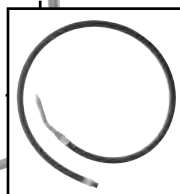
Note:  
Specifications  
on page 37.



1254



1293



82757



MV6410

# Medium-Pressure, Portable/Manual Fluid Pumps

## Air-Operated Mobile Gear Lube Dispensers

| Model  | Container | Meters       | Style      | Base               | Hose Length   | Pump Tube | Nozzle | Output |
|--------|-----------|--------------|------------|--------------------|---------------|-----------|--------|--------|
| 2435   | 120 lb.   | 870 (pint)   | Drum cover | 80895 roll-a-round | 5 ft. (73060) | 25-3/4"   | 780    | 6 gpm  |
| 2535   | 120 lb.   | 870 (pint)   | Drum cover | 80895 roll-a-round | 5 ft. (73060) | 25-3/4"   | 780    | 6 gpm  |
| 2435LN | 120 lb.   | 2873 (liter) | Drum cover | 80895 roll-a-round | 5 ft. (73060) | 25-3/4"   | 780    | 6 gpm  |

## Manual Gear Lube Dispensers

|        |             |               |                       |                       |               |               |       |    |
|--------|-------------|---------------|-----------------------|-----------------------|---------------|---------------|-------|----|
| 535    | 120 lb.     | (pints)       | 15" ID drum cover     | 80895 roll-a-round    | 5 ft. (74560) | 25-3/4"       | 80599 | *  |
| 535LN  | 120 lb.     | 2873 (liters) | 15" ID drum cover     | 80895 roll-a-round    | 5 ft. (74560) | 25-3/4"       | 80599 | *  |
| 535-58 | 120 lb.     | (pints)       | 15" ID drum cover     | none                  | 5 ft. (74560) | 25-3/4"       | 80599 | *  |
| 549    | 120 lb.     | none          | 15" ID drum cover     | 80895 roll-a-round    | 5 ft. (74560) | 25-3/4"       | 80599 | *  |
| 549-58 | 120 lb.     | none          | 15" ID drum cover     | none                  | 5 ft. (74560) | 25-3/4"       | 80599 | *  |
| 1253   | 30 lb. bulk | (pints)       | self cont. handle     | Int. 9"dia / 13-3/4"w | 5 ft. (74560) | 17" below rim | 80599 | *  |
| 1253LN | 30 lb. bulk | 2873 (liters) | self cont. handle     | Int. 9"dia / 13-3/4"w | 5 ft. (74560) | 17" below rim | 80599 | *  |
| 1254   | 30 lb. bulk | none          | self cont. handle     | Int. 9"dia / 13-3/4"w | 5 ft. (74560) | 13" below rim | 80599 | *  |
| 1293   | 30 lb. bulk | none          | 12" ID clamp-on carry | none                  | 5 ft. (74560) | 13" below rim | 80999 | ** |

## Model 82757 Hose/Nozzle Kit

Hose and nozzle upgrade kit for model 1293. Includes 80999 nozzle assembly and 5' 74560 hose. Order separately.

## ATF Dispensers

|      |         |          |                   |                    |               |                   |       |     |
|------|---------|----------|-------------------|--------------------|---------------|-------------------|-------|-----|
| 527  | 120 lb. | none     | 15" ID drum cover | 80895 roll-a-round | 7 ft. (91265) | 25-3/4" below rim | 93547 | *** |
| 527A | 120 lb. | (quarts) | 15" ID drum cover | 80895 roll-a-round | 7 ft. (91265) | 25-3/4" below rim | 93547 | *** |

\* 1 pt. per 7 strokes using SAE 90 Gear Lubricator at 70°F

\*\* 1 oz. per stroke using SAE 90 at 70°F

\*\*\* 8 strokes per quart

### ATF Refill System

#### Model MV6410

- 1-gallon (5-liter) capacity reservoir
- Integrated manual pressure pump
- Conveniently located ON/OFF switch
- Quick-change accessory coupler with auto-shutoff valve
- Custom-molded adapter storage case



### Drum Transporters

#### Model 674 Hand Truck

All steel, rugged construction with 6" dia. wheels. Finished in Lincoln red. 41" high x 15" wide. For use with an 120 lb. or 16-gallon drum.

#### Model 80895 Roll-A-Round Base

Use with 120 lb. refinery containers. Four ball bearing swivel casters and screw clamps.

### Drum Dollies

#### Model 84191 25-50 lb. Band Dolly

Band-type dolly for any original 25-50 lb. refinery containers.

#### Model 84192 120 lb. Band Dolly

Band-type dolly for use with 120 lb. refinery containers.

#### Model 84377 Drum Dolly

Use with any 400 lb. drum. ID 23-1/4", height 5-1/4", hard rubber wheels: 1" wide, 2-1/2" dia.



# Bulk Oil Systems

## Bulk Oil Systems

### 3:1 and 5:1 Ratio Pump Packages

Lincoln pump 3:1 and 5:1 ratio packages include 600003 regulator, 600401 gauge, 815 coupler and 11659 nipple. Control valve, inline meter or handheld metering control valve must be ordered separately (except model 4283).



### Model 4283 5:1 with 50' Reel & Meter

Deluxe assembly including 84934 5:1 ratio pump with bung bushing, universal suction tube with foot valve to fit any size container up to 275 gallons. Includes 1/2" x 50' oil hose reel 94354 with 2' connecting hose. 967 electronic meter totalizes in liters and gallons with quart, gallon or pint readout.

*NOTE: Pipe, fittings and hardware for installation of overhead reel assembly supplied by others.*

### Reel • Pump • Meter Packages

Lincoln puts all the components you specify in one easy-to-order package.

### RPM Packages

| Model | Pump Kit/<br>Ratio | Reel/30' | Electronic Meter        | Air Regulator | Air Gauge |
|-------|--------------------|----------|-------------------------|---------------|-----------|
| RPM7  | 282398/3:1         | 94334    | 980 manual universal    | 600003        | 600401    |
| RPM8  | 282398/3:1         | 94334    | 982 automatic universal | 600003        | 600401    |
| RPM10 | 84934/5:1          | 94334    | 982 automatic universal | 600003        | 600401    |

*NOTE: Always consult fluid/solution manufacturer specifications AND local fire code(s) before installing any pump into service. Most modern automotive fluid/solutions include some type of "additive package" which may not be compatible with the typical applications listed below. Some fluids or solutions are considered flammable and/or combustible in which case the dispensing pump should be properly grounded. (Order air coupler and 4283 air nipple separately)*

### Model 4493 Value Series Pump, Reel and Meter Package

- Configured for above-ground tank installations.
- For use with natural and synthetic oils, automatic transmission fluid, gear oil, antifreeze or hydraulic oil throughout the shop.
- Fast, reliable dispensing with the 4491/six GPM free delivery pump.
- Easy handling, dependable service with the 94000 Series hose reel's heavy-gauge steel base, brass bushings and extra-wide hose guide.
- Accurate and easy dispensing with the 980 electronic oval gear meter with flexible extension.
- Package includes 4491/3.5:1 pump, 94334 reel with 30' x 1/2" hose, ball stop, 980 electronic meter (measures in quarts), air line regulator and gauge, air coupler and nipple, 2' fluid connecting hose from pump to reel and adapter union.



4493 System for mounting pump and reel on tank

# Value Series 1:1 & 3.5:1 Transfer and Dispensing Pumps



4475



4480

## Features and Benefits—Designed for Value

- Proven horizontal, valved-piston motor design for simplicity and reliability
- Provides quick dispense, fill or transfer with high-volume output
- Built-in muffler for quiet operation
- Cost-effective solution for oil distributors who need to supply pumps for customers who purchase bulk oil in tanks or drums
- Available as stub pump, 16-/55-gallon pump or 250- to 275-gallon tank pump
- Motor's single-stroke action delivers cost effective, high performance and high flow
- Provides quick dispense and fill of ATF, oil, gear lube and other fluid lubricants with the speed of many higher-priced pumps
- Ideal for use with one or two overhead reels in applications such as medium-to-light vehicle service facilities, car dealerships, small contractors, farmers and agriculture equipment dealers

## Specifications

| Pump Ratio | Output/Stroke                             | Delivery Output | Pneumatic Inlet Pressure Max. | Pneumatic Inlet Pressure Min. | Operating Temp. Range       | Weight (Empty) | Pneum. Port Inlet | Material Port Outlet | Rec'd. Fluids                                          |
|------------|-------------------------------------------|-----------------|-------------------------------|-------------------------------|-----------------------------|----------------|-------------------|----------------------|--------------------------------------------------------|
| 3.5:1      | 5.6 in <sup>3</sup><br>91 cm <sup>3</sup> | 6 GPM           | 120 psig<br>8.3 bar           | 20 psig<br>1.4 bar            | 30°F - 120°F<br>-1°C - 49°C | 14 lbs.        | 1/4-18 NPTF       | 1/2 NPTF             | Motor oils, transmission fluid, petroleum-based fluids |

## Pump Models

| Model No. | Application              | Mounting                 | Down Tube Length |
|-----------|--------------------------|--------------------------|------------------|
| 4490      | 16-55 gallon             | 2" NPT male bung adapter | 36.5"            |
| 4491      | 250-275-gallon oval tank | 2" NPT male bung adapter | 47.0"            |
| 4492      | Stub                     | 1.5" NPT male            | N/A              |

## Model 4475 Series Pump

The Model 4475 pump is a reciprocating-piston, low-pressure single action pump. Air powers the pump's piston on the dispensing, or working, stroke. An internal spring returns the piston and resets it for the working stroke. It pumps continuously when the dispensing (fluid outlet) valve is open and 20-120 psig air is supplied to the pump.

## Specifications

| Model No. | Description | Material Outlet                    | Operation                                             | Pump Tube Length | Attachment                                                   | Effective Pump Ratio                                   | Inlet Air Pressure                               | Output/Stroke                                | Free Delivery        |
|-----------|-------------|------------------------------------|-------------------------------------------------------|------------------|--------------------------------------------------------------|--------------------------------------------------------|--------------------------------------------------|----------------------------------------------|----------------------|
| * 4475    | Bare Pump   | 1/2" NPTF                          | Pneum. pressure delivery stroke, spring return stroke | 34"<br>(86 cm)   | 2" Bung, adj. for 55- & 16-gal. drums, bench & portable tank | Approx. 0.7:1 to 0.8:1 depending on inlet air pressure | Max: 120 psi (8.3 bar)<br>Min: 20 psig (1.4 bar) | 2.9 in <sup>3</sup><br>(48 cm <sup>3</sup> ) | Up to 4 gpm (15 lpm) |
| * 4480    | Spigot Pump | Spigot extension with on/off valve |                                                       |                  |                                                              |                                                        |                                                  |                                              |                      |

\* Bung bushing 261102, 261103, 261104



602003

## Recommended Accessories

Air Line controls are a must for safe and effective pump operation.

| Model  | Description                               |
|--------|-------------------------------------------|
| 815    | 1/4" (f) Air Coupler                      |
| 11659  | 1/4" (m) Air Nipple                       |
| 602003 | 1/4" Miniature Air Regulator              |
| 247843 | Air Line Pressure Gauge                   |
| 10462  | 1/4" Pipe Nipple for Regulator attachment |

# Stationary, Manual Transfer Pumps

## 1:1 Piston Transfer Pumps

| Model | Pump Description | Pump Body          | Wetted or Soft Parts | Pump Inlet/Outlet NPT | Max. Free Delivery GPM | Air Inlet NPT(F) | Max. Rec. Inlet Air Pressure | Max. Susp. Solids Dia. | Typical Automotive Use        |
|-------|------------------|--------------------|----------------------|-----------------------|------------------------|------------------|------------------------------|------------------------|-------------------------------|
| 84829 | stub             | alum/steel/plastic | Buna-N               | 1" / 3/4"             | 14 gpm                 | 1/4"             | 150 psi                      | NA                     | Universal/new oil transfer    |
| 82230 | 55-gal. drum     | alum/steel         | Buna-N               | 3/4" – 1 1/2" A.N.    | 20 gpm                 | 1/8"             | 150 psi                      | NA                     | 55-gal. drum/new oil transfer |



82230



84829

### Model 84829 Universal

Stub pump design provides the versatility to transfer and dispense controlled amounts of lubricant using an oil spigot, control valve or meter. Adaptable for 16- or 55-gal. containers as well as bulk tank or standpipe installations. Delivers 12.5 cu. in. per cycle. Includes suction tube, bung bushing, air coupler and air nipple. Includes 241937 extension tube.

### Model 82230

Transfer pump quickly transfers fluids directly from 55-gallon drums. 2" bung bushing adjusts to varied drum lengths. Designed to stall against lubricant pressure. Empties a 55-gallon drum in less than three minutes and has adjustable air flow lever.

### Model 1326 Diaphragm Action

Neoprene seals resist wear from abrasive fluids. Double acting diaphragm delivers one full gallon per eight strokes. 8' hose with discharge nozzle.

### Transfer Pump

| Model | Drum Size                        | Bung Bushing | Output            |
|-------|----------------------------------|--------------|-------------------|
| 1326  | 16- to 55-gal. w/2" bung opening | 2" NPT(m)    | 1 pint per stroke |

### Model 1335\*

This close tolerance pump utilizes brass rings for extreme durability and expanded fluid compatibility. Telescoping pick-up tube for 16- through 55-gallon drums with standard 2" bung openings. Bung opening tool built into pump head to open sealed refinery container. Provides 8.5 fl. oz. per full stroke.

### Model 1340\* Lever Action Barrel Pump

Extended pump body improves top-of-barrel clearance while providing excellent flow per stroke (14.0 fl oz. minimum per stroke).

- Pumps non-corrosive automotive, agricultural and industrial fluids\*
- Removable non-drip spout allows for threaded hose connection
- Telescoping pick-up tube for 16- to 55-gallon drums
- Two-tier threaded bung fits standard 2" and 1.5" drums

\* For use with non-corrosive fluids, automotive, agricultural and industrial fluids such as motor oil, transmission fluid, gear oil, engine coolant, silicone oils, and more. (Not suitable for gasoline)



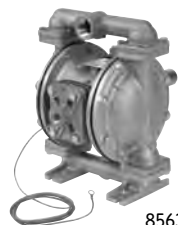
1335



1326



1340



85634

## 1:1 Air-Operated Diaphragm Pump Line

| Model Number | Pump Description | Pump Body | Wetted or Soft Parts | Pump Inlet/Outlet NPT | Max. Free Delivery GPM | Air Inlet NPT(F) | Max. Rec. Inlet Air Pressure | Max. Susp. Solids | Application      |
|--------------|------------------|-----------|----------------------|-----------------------|------------------------|------------------|------------------------------|-------------------|------------------|
| 85632        | 1/2"             | Aluminum  | Teflon®              | 1/2" / 1/2"           | 15                     | 1/4"             | 100 psi                      | 1/8"              | New oil, AF      |
| 85627        | 1"               | Aluminum  | Buna-N               | 1" / 1"               | 45                     | 1/2"             | 125 psi                      | 1/4"              | New/used oil, AF |

### U.L. Listed

|       |       |          |        |         |    |      |          |      |                            |
|-------|-------|----------|--------|---------|----|------|----------|------|----------------------------|
| 85634 | 1" UL | Aluminum | Buna-N | 1" / 1" | 45 | 1/2" | 50 psi * | 1/4" | Used oil, diesel, kerosene |
|-------|-------|----------|--------|---------|----|------|----------|------|----------------------------|

### Dual Inlet

|       |         |          |        |             |    |      |          |      |                  |
|-------|---------|----------|--------|-------------|----|------|----------|------|------------------|
| 85636 | 1/2" UL | Aluminum | Buna-N | 1/2" / 1/2" | 15 | 1/4" | 125 psi* | 1/8" | Antifreeze/Water |
|-------|---------|----------|--------|-------------|----|------|----------|------|------------------|

\* 50 psi flammable liquids, 125 psi others.



# Rotary Drum Pumps



## Model 1384

- Durable cast iron pump head
- Internal check assures immediate restart
- Low friction design reduces operator input
- Unbeatable performance and durability
- Fluid types – Oils, diesel, kerosene, coolant, non-corrosive materials, petroleum-based fluids, hydraulic oils, ATF
- Fit 16- and 55-gallon drums with standard 2" bung bushing
- Threaded  $\frac{3}{4}$ " FNPT (male) outlet
- Fully serviceable



## Model 1385

- Fluid types – Oils, diesel, kerosene, coolant, non-corrosive materials, petroleum-based fluids, hydraulic oils, ATF
- 10 gallons/minute at 120 RPM low viscous, 7 gallons/minute at 80 RPM oil
- Approximately 1 gallon per 12 revolutions
- Internal check prevents drain-back and assures immediate restart
- Seal-tight telescoping pick-up tube with strainer for 16- to 55-gallon drums with 2" bung bushing

## Model 1385-H (with Hose)

Same as Model 1385 except includes heavy-duty 8' x 3/4" anti-static hose with non-sparking aluminum nozzle.



## Model 1387 (Fuel)

- Fluid types- Gasoline, diesel, kerosene, coolant, non-corrosive materials, medium-viscosity petroleum-based fluids, hydraulic oils, ATF
- Heavy-duty 8' x 3/4" anti-static hose with non-sparking aluminum nozzle
- Flame arrestor and anti-siphoning vacuum break
- Seal-tight telescoping pick-up tube with strainer for 16- to 55-gallon drums with 2" bung bushing
- 10 gallons/minute (38 LPM) at 110 RPM
- FM approved



# Portable Oil Drains

**Choose the fluid handling equipment that fits your needs.**

**Traditional Drain:** the traditional method for handling used fluids allows gravity to drain fluids from vehicle(s) into a portable or mobile fluid drain and then gravity allowing those fluids to drain into a used fluid storage tank.

**Drain & Evacuate:** instead of gravity draining fluids into a storage tank, fluids are evacuated from the fluid drain into the tank with a suction pump system.



## Standard Oil Drains

### Model 613

Used with 16-gallon (120 lb.) open-top drum (66493 drum not included). Convenient float gauge shows when drum is full. Includes 17" square rolling base 80895 with 2-1/2" ball bearing caster wheels and 14" drain bowl 91197 (without lid).

Order suction pick-up tube and fluid nipple Kit 247748 for easy evacuation through drum cover using a used-oil evacuation pump. Order evacuation pump 4100 and fluid coupler 244390 separately.



### Model 3644

Used with 16-gallon (120 lb.) open-top drum. (66493 drum not included). Float gauge shows when drum is full. Includes 17" square rolling base 80895 with 2-1/2" caster wheels. 20" diameter drain bowl 3609 is adjustable from 42-3/4" to 70".



### Model 66493 120 lb. Drum

16-gallon (120 lb.) drum with 3/4" NPT(f) threaded hole near bottom/side of drum for drain valve or spigot (70526 – sold separately.)



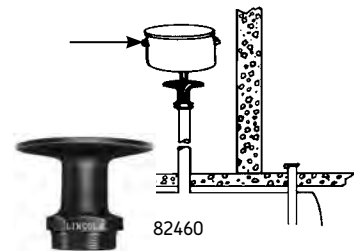
## Pedestal-Style Oil Drain

### Model 3605

Lightweight, easy to position and maneuver. Latch trigger automatically locks drain bowl at any height. Reversible for double life! Bowl cover lid hinged for splash guard extends to catch oil flowing from hard to reach drain plugs. Spring actuated valve in drain bowl to prevent leakage. Includes 82460 drain adapter bushing for draining bowl. Includes large 13-1/2", 4-1/2-gallon bowl assembly 83386.

### Model 82460 Drain Adapter

Used with 3605 to drain bowl. When bowl is set into drain adapter bushing a pin automatically releases spring loaded valve. Adapter bushing assembles to a 2" NPT used oil tank stand pipe or screws directly into a 2" 55-gallon drum opening.



## Truck Oil Drain

### Model 84714 20 Gallon Cart

Ideal oil drain for RV, truck, heavy equipment maintenance and repair. Low profile, large 20-gallon capacity cart. 42" T-handle for easy cart positioning. Used oil transfer by either gravity or suction evacuation. Order drain valve or suction evacuation pump and fluid couplings separately. Two stationary rear wheels and one front wheel caster with grab handle for ease of under vehicle positioning. Metal grating, two baffles and continuous side splash guards to prevent oil spillage during vehicle draining and cart movement. Maximum height is 8.65".



# Suction and Drain Accessories



3608

## **Drain Bowls**

### **Model 3608**

Large 20" bowl used on 3643 or to update an existing 3613 to a 20" drain bowl.



82786

### **Model 3609**

Large 20" bowl used on 3644 or to update an existing 613 to a 20" drain bowl.

### **Model 91197**

Standard 14" bowl used on 613 and 3613 used-oil drains.

### **Model 82786**

Same as 91197 but includes lid.



83386

### **Model 83386**

Standard 13-1/2" bowl used on 3605 used-oil drains. Large 4-1/2-gallon capacity.



3610

## **Funnel & Drain Adapters**

### **Model 3610**

24-1/2" diameter. Use when larger draining area is required. 3610 molded plastic drain pan rests securely on top of used-oil drains. Can be used with pedestal or portable drain devices with 6" or larger drain.

### **Model 275296**

Funnel assembly for use with 3614.

### **Model 70526 Drain Spigot**

Used fluid drain valve for use with 613. 1/2" NPT(m) connection.



275296

# Pressurized Fluid Recovery & Accessories

## Handling / Recovery / Accessories

**Drain & Pressurize:** this new concept in used fluid handling employs the benefits of the drain & evacuate system without an evacuation pump—the fluid drain is pressurized to evacuate the used fluid.

### Pressurized Evacuation Drains

#### Model 3624 26-Gallon Tank

Pressurized waste oil tank and bowl made from high-strength polyethylene—no dents or corrosion. Built-in oil filter drain, tool tray and sight gauge. Very stable and easy to maneuver. Includes pop-off valve and fixed air regulator for safety. Compatible with all lubrication fluids.

#### Model 3614 20-Gallon Tank

This new model simplifies the used fluid evacuation process by allowing the technician to drain, transfer and evacuate used oils with virtually no chance of spillage. Extra large 18-inch offset bowl easily catches fluid without repositioning the tank. Telescopic (44 to 72 inch range) bowl height adjustment allows for greater flexibility. Low profile design is extremely stable and easy to maneuver. Large 20-gallon (75 L) capacity averages 15-20 vehicles before tank evacuation. Special valve design allows evacuation with bowl set at any height.

### Closed-Loop Pressurized Evacuation Drains

Drain & Pressurize (Closed-loop): the newest Lincoln used fluid handling concept takes the standard drain and pressurized system to a new level by eliminating used fluid spills while evacuating the mobile drain unit.



3624



3614



3618



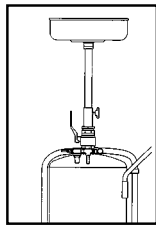
3617



3601

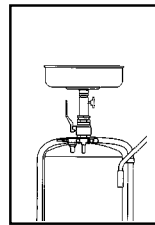


237105



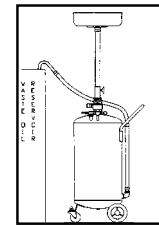
#### To Drain Oil

With valve fully open, (valve handle in vertical position), raise drain bowl to desired height and lock in place. Drain oil into bowl/tank assembly.



#### To Transport Tank

With valve fully open, (valve handle in vertical position), lower drain bowl to desired height. Always use the tank handle to transport the tank assembly.



#### To Evacuate Oil

Raise drain bowl and lock in place (valve handle in horizontal position) and place nozzle securely into collection reservoir. Connect air inlet nipple and discharge oil. Disconnect air supply when oil is no longer discharging into reservoir.

### Non-Pressurized Evacuation Drains

#### Model 3618 Used Fluid Drain

Designed for use in shops with diaphragm pump or centralized evacuation systems, the drains were built to perform under heavy use. Drain has a male 3/4 inch cam and groove connector located on top of the tank to provide a quick, clean connection to a shop's used fluid evacuation system and to reduce the chance of spills. Other features include a 20-gallon (75-liter) capacity tank, heavy-duty steel construction and an extra-large 18-inch offset drain bowl with oil filter screen.

#### Model 3617 Used Antifreeze Drain

Same as Model 3618 except for antifreeze use only.

#### Model 3601 Value Series Used Oil Receiver

Designed to provide an affordable option to draining, transferring and evacuating used oil quickly and safely. All-steel design includes reinforced caster supports for durability and dependability. 18-gallon tank includes a preset air regulator that allows the use of standard shop air up to 150 psi. 14-inch telescoping bowl with a height adjustment range of 45 to 72 inches. Reinforced dispensing hose doubles as a sight gauge to prevent overfilling. Includes safety valve.

### Evacuation Coupler & Nipple Kit

#### Model 237105 Suction Hose

For use in high-volume transfer and evacuation systems, 1" NPT(m) threads x 7'.

### Fluid Couplers & Nipples

#### Model 241408 Coupler & Model 241409 Nipple

For use in high-volume transfer applications, both models have 1" NPT(f) thread.



241408



241409

# Mityvac Fluid Evacuation Equipment

## Fluid Evacuators

These portable units are designed for convenient evacuation of fluids from virtually any type of reservoir or tank. With capacities ranging from 1.9 quarts (1.8 liters) up to 2.3 gallons (8.8 liters), they are perfect for draining coolants from machinery, or for use when changing fluids (oil, lubricants, hydraulic fluids, etc.) on motorized equipment.



MV7300

### Model MV7300 Pneumativac

The larger capacity model MV7300 fluid evacuator holds up to 2.3 gallons (8.8 liters) of fluid. It uses standard compressed shop-air and a powerful venturi vacuum to quickly and conveniently evacuate reservoirs with no manual effort.

Capacity: 2.3 gallons (8.8 liters)

Weight: 7.5 lbs. (3.4 kg)

Size: 25.6" (650mm) tall x 13" (330mm) wide x 9.5" (240mm) deep

### Model MV7400 Fluid Evacuator

The model MV7400 fluid evacuator is a manually operated unit that requires no electricity or compressed air. The unit is extremely lightweight, and features durable, chemical resistant construction, a large stable base and three evacuation tubes with adapters.

Capacity: 1.9 gallons (7.3 liters)

Weight: 5.5 lbs. (2.5 kg)

Size: 25" (725mm) tall x 7.5" (190mm) diameter



MV7400

### Model MV7201 Fluid Evacuator Plus

The Fluid Evacuator Plus has a reversing valve that allows the unit to be used for evacuating or dispensing fluids. It has a large 2.3-gallon (8.8) liter reservoir, and operates without electricity or compressed air. The unit features durable, chemical resistant construction, a large stable base, and three evacuation tubes with adapters.

Capacity: 2.3 gallons (8.8 liters)

Weight: 10 lbs. (4.5 kg)

Size: 25.6" (650mm) tall x 13" (330mm) wide x 9.5" (240mm) deep



MV7201

## Suction Guns

### Model 615

Holds up to 18 ounces of fluid. Flexible nozzle for transmission, differential or oil filter service. Precision follower fitted to barrel for superior suction and is impervious to oil, grease and water. Finished in rust-resistant, powder coated blue paint.



615



# Installed Fluid Evacuation & Disposal Systems

Don't waste valuable time waiting on gravity to empty waste oil drains. Lincoln installed systems provide the fast, profitable, safe way to get rid of waste oils and other fluids when gravity draining is not possible or practical. Quickly pump out fluids from rolling drain pans, portable oil drains, differentials and trans axles.

## Basic Fluid Evacuation Pumping System

Lincoln's Basic Fluid Evacuation and Disposal System features a 1" U.L. Listed corrosion-resistant aluminum double diaphragm pump that creates a powerful suction to drain used fluids quickly, and transfers them through a completely enclosed system to any type of remote storage tank. Provides clean, safe disposal of waste fluids with no drips, no spills. Pump is air-operated and can be easily mounted on any convenient wall surface. One basic system can serve multiple bays with the addition of hardware.



4100

### Model 4100

Includes rugged, heavy-duty, 1" U.L. Listed air-operated double diaphragm self-priming pump 85634, 1" x 5' fluid hose 237105, 3' air hose 72036, airline filter 600104, regulator 600004, 3/4" x 5' fluid inlet hose 68620 and other air couplings for easy outlet installation.

Note: Include (1) 241408 coupler and (1) 241409 nipple per receiver



4105

### Model 4105 Portable Drain Adapter Kit

Includes 1" x 7' suction hose 237105, quick disconnect coupler 241408, nipple 241409 and mounting hardware for hookup to side port of 16-gal. drum 66493 or truck oil drain 84714.



4110

### Model 4110 Differential & Transaxle Kit

Includes suction hose, fittings and two interchangeable wands for all vehicle makes and models that allow you to drain fluids through plug openings.

### Model 84700 Rolling Drain Pan

Designed for pit installation, 30-gallon capacity 84700 features quarter-turn ball valve drain on front or back of unit for multiple drain hook-up 1½" NPT. Infinite-adjustable axles fits pits 36" to 49½" wide. Polyurethane wheels for smooth, quiet operation, dust cap, chain and splash guard assemblies included.



84700

### Model 92572 Splash Guard Assembly

Included with 84700 drain pan. Mounts to either side to deflect oil from side draining engine oil pans.

### Model 85255 Wall Mount Bracket

Wall mount bracket for 1/4" to 1/2" air-operated diaphragm pumps

### Model 84817 Wall Mount Bracket

Wall mount bracket for 1/2" to 2" air-operated diaphragm pumps



84817

### Used Fluid Overfill Warning Valves

Float rises with used fluid to activate "whistle" warning at prescribed level.



84816

### Model 84815 Single Wall

For single wall tanks & drums in used fluid systems and above ground tanks.

### Model 84824 Double Wall

Same as 84815 except for double walled tanks and above ground tanks.



84815

### Model 84816 4-Way Valve

Four port, two position valve used in waste fluid systems. Enables one pump to pump into and out of drum or tank.

# Lube Dispensing Stations

## Model 84951 Oil Bar

Modular 3 spigot capable steel oil bar for use with dispensing motor oil, ATD and other fluids. Unit includes a removable tray for disposal of spillage and knock-outs for mounting inline digital meters.



84951  
(shown with two  
277564 spigots  
and one 812 meter)

## Model 277564 Locking Spigot

Spring-loaded oil spigot for use with oil pumps to dispense fluids into fill cans. The unit has a latching-style lever to lock the spigot open while dispensing. Recommended when used in conjunction with a Lincoln fluid inventory management system. 3/4" MPT (M) and 1/2" NPT (F).

## Model 277565 Nonlocking Spigot

Spring-loaded oil spigot for use with oil pumps to dispense fluids into fill cans. 3/4" NPT (M) and 1/2" NPT (F).

## Model 277566 15PM Flow Control Valve

Flow control valve that provides precision flow control in one direction and automatically allows unrestricted free flow in opposite direction. Two-step needle allows fine adjustment at low flow with first three turns of adjusting knob. Next three turns give full-open needle position and conventional throttling control. 1/2" - 14 NPTF; flow range: 15 GPM; maximum pressure: 2000 psi.



277564

## Model 812 Universal Digital Inline Meter

Measures in quarts, gallons or liters. Resettable and non resettable accumulative totals. 1000 psi max, 1/2" inlet/outlet, 8 GPM max.



277566



812

# Lincoln's Fluid Reel (LFR) Series

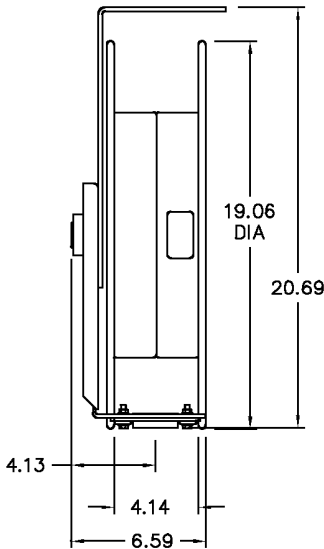
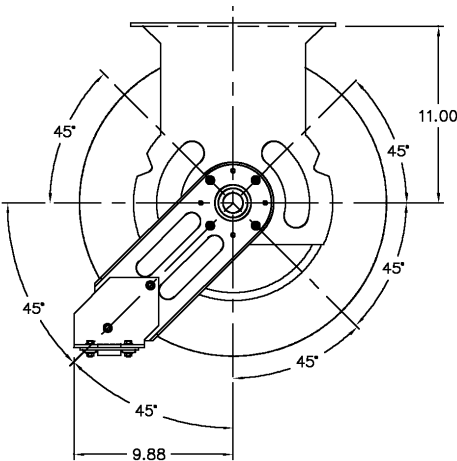


Lincoln's Fluid Reel Series (LFR) incorporates both new and proven design features and capabilities.

- Advanced design provides consistent, repetitive performance.
- Top-of-the-line features in our most popular reel.
- Engineered for durability and reliability.
- Low-, medium- and high-pressure models available.

## Features

- Low-pressure, fully-ported swivel designed to be corrosion resistant when used for air and water-based solutions.
- Medium-pressure, fully-ported swivel provides unrestricted flow, dispensing higher volumes of fluid.
- High-pressure swivel includes quick-disconnect for easy hose attachment.
- Two hose clamps perfectly spaced to prevent the hose from locking in the fully extended position.
- Easily accessible—yet fully contained—power springs designed for optimum performance at various operating pressures.
- Dual needle bearings reduce the stress on the spring, providing smooth, balanced operation during both hose extension and retraction.
- Rounded edges on hose guide face enhances safety.
- Electroless nickel plated, corrosion-resistant, low-pressure axle prevents contamination of fluid and restriction of flow.
- Double ratchet teeth provide solid latch to lock hose in multiple usable positions.
- Mounting base accepts Lincoln No. 82206 mounting pattern and is slotted at both ends for easy installation.
- Powder-coat finish creates a corrosion-resistant reel that stands up to the elements.



| Pressure Application | Hose Diameter | Max. Working Pressure<br>psi (bar) |
|----------------------|---------------|------------------------------------|
| High                 | 1/4"          | 5,000 (340)                        |
|                      | 3/8" & 1/2"   | 4,000 (272)                        |
| Medium               | 1/2"          | 1,500 (102)                        |
| Low                  | 1/4" & 3/8"   | 250 (17)                           |
|                      | 1/2"          | 200 (13.6)                         |

| Assembly Models: |             |               |                                      |                                          |   |    |
|------------------|-------------|---------------|--------------------------------------|------------------------------------------|---|----|
|                  | 94          | 5             | 5                                    | 2                                        | G | BK |
| Pressure         | Hose Length | Hose Diameter | Valve                                | Color                                    |   |    |
| 5 – High         | 5 – 50'     | 2 – 1/4"      | G – 740                              | (blank) – Red                            |   |    |
| 3 – Medium       | 3 – 30'     | 3 – 3/8"      | H – 3050                             | -BK – Black                              |   |    |
| 1 – Low          | 6 – 60'     | 4 – 1/2"      | A – Air Coupler/Tire<br>W – Bibbcock | -MB – Sapphire-Blue<br>-RB – Signal Blue |   |    |

NOTE: Not all models are available outside the standard red.

# Lincoln's Fluid Reel (LFR) Series

## Bare Reel Specifications



| Model   | Application         | Hose Capacity |         |             | Max. Working Pressure Bare Reel, psi | Inlet/Outlet (f) |
|---------|---------------------|---------------|---------|-------------|--------------------------------------|------------------|
|         |                     | Rating        | Type    | Max. Length |                                      |                  |
| 94100** | Air, A-F, Water, WW | RMA           | Class A | 60'         | 1000*                                | 1/2" NPTF        |
| 94300** | Oil                 | SAE100R3      | 73      | 60'         | 4000*                                | 1/2" NPTF        |
| 94500** | Grease              | SAE100R2      | 75, 76  | 50'         | 8000*                                | 3/8" NPTF        |

\* Note: Actual working pressure of the reel should not exceed pressure rating of the installed hose.  
60' hose should be used on installations allowing for a 10' to 12' hose hand down.

## High-Pressure Reels and Assemblies Grease Reel and Hose Assemblies

| Model    | Description | Included with Reel Assemblies |                 |               |           |                        |
|----------|-------------|-------------------------------|-----------------|---------------|-----------|------------------------|
|          |             | Bare Reel Model               | Connecting Hose | Delivery Hose | Ball Stop | Control Valve or Meter |
| 94532    | 1/4" x 30'  | 94500                         | 75024           | 75360         | 85515     | NA                     |
| 94552    | 1/4" x 50'  | 94500                         | 75024           | 75600         | 85515     | NA                     |
| 94553 ** | 3/8" x 50'  | 94500                         | 76024B          | 76600B        | 85516     | NA                     |



## Grease Assemblies with Universal Swivel & Control Valve

|        |            |       |        |        |       |              |
|--------|------------|-------|--------|--------|-------|--------------|
| 94532G | 1/4" x 30' | 94500 | 75024  | 75360  | 85515 | 81387 & 740  |
| 94552G | 1/4" x 50' | 94500 | 75024  | 75600  | 85515 | 81387 & 740  |
| 94553H | 3/8" x 50' | 94500 | 76024B | 76600B | 85516 | 81729 & 3050 |

## Medium-Pressure Reels and Assemblies Oil Reel and Hose Assemblies

|          |            |       |       |       |       |    |
|----------|------------|-------|-------|-------|-------|----|
| 94334 ** | 1/2" x 30' | 94300 | 73024 | 73360 | 85517 | NA |
| 94354 ** | 1/2" x 50' | 94300 | 73024 | 73600 | 85517 | NA |
| 94364    | 1/2" x 60' | 94300 | 73024 | 73720 | 85517 | NA |

## Low-Pressure Reels and Assemblies Air, Water, A-F, WW Reel and Hose Assemblies



|          |            |        |       |        |       |    |
|----------|------------|--------|-------|--------|-------|----|
| 94132    | 1/4" x 30' | 94100  | 74024 | 72360  | 85515 | NA |
| 94133    | 3/8" x 30' | 94100  | 74024 | 72360A | 85516 | NA |
| 94152    | 1/4" x 50' | 94100  | 74024 | 72600  | 85515 | NA |
| 94153 ** | 3/8" x 50' | 94100  | 74024 | 72600A | 85516 | NA |
| 94154 ** | 1/2" x 50' | 94100  | 74024 | 74600  | 85517 | NA |
| 94163    | 3/8" x 60' | 94100  | 74024 | 72720A | 85516 | NA |
| 94153M * | 1/2" x 50' | 94100M | 74024 | 72600A | 85516 | NA |
| 94154M * | 1/2" x 50' | 94100M | 74024 | 74600  | 85517 | NA |

\* "M" models denote a high spring for use when using a metered control handle.

## Air Assemblies with Air Coupler and Tire Chuck

|        |            |       |       |        |       |                 |
|--------|------------|-------|-------|--------|-------|-----------------|
| 94132A | 1/4" x 30' | 94100 | 74024 | 72360  | 85515 | 815/11659/66951 |
| 94133A | 3/8" x 30' | 94100 | 74024 | 72360A | 85516 | 815/11659/66951 |
| 94152A | 1/4" x 50' | 94100 | 74024 | 72600  | 85515 | 815/11659/66951 |
| 94153A | 3/8" x 50' | 94100 | 74024 | 72600A | 85516 | 815/11659/66951 |
| 94154A | 1/2" x 50' | 94100 | 74024 | 74600  | 85517 | 815/11659/66951 |

## Water Assemblies with Water/Antifreeze Bibbcock

|        |            |       |       |        |       |              |
|--------|------------|-------|-------|--------|-------|--------------|
| 94132W | 1/4" x 30' | 94100 | 74024 | 72360  | 85515 | 846 Bibbcock |
| 94133W | 3/8" x 30' | 94100 | 74024 | 72360A | 85516 | 846 Bibbcock |
| 94152W | 1/4" x 50' | 94100 | 74024 | 72600  | 85515 | 846 Bibbcock |
| 94153W | 3/8" x 50' | 94100 | 74024 | 72600A | 85516 | 846 Bibbcock |
| 94154W | 1/2" x 50' | 94100 | 74024 | 74600  | 85517 | 846 Bibbcock |

NOTE: \*\* Denotes that these models are available in black (-BK), sapphire blue (-MB) and signal blue (-RB) in addition to the standard Lincoln red. Add the paint suffix to the end of the existing part number (e.g. 94100-BK)

# Dual Support Hose Reel

## *The 75' Dual Support Hose Reel – Exceptional Stability for Rugged, Demanding Applications*



### Features and Benefits

- The 75' Dual Support Hose Reel is designed based on the proven 94000DS series reels with the added feature of greater hose length
- The heavy-duty reel includes a dual arm and dual pedestal that gives the needed foundation for demanding environments
- Dual support from base to axle to roller outlet provides stability for applications with heavy vibration and impact
- Easy to install
- Assembled reels come with 75' delivery hose, ball stop and 2' inlet hose
- For use in high ceiling, fleet and municipalities, mining workshops and applications requiring shared reel banks
- Special 5-year warranty

### Specifications

| Model No. | Description | Hose       | Application | Working Pressure | Inlet/Outlet |
|-----------|-------------|------------|-------------|------------------|--------------|
| 94100DS   | Bare Reel   | N/A        | Air & Water | 1000 psi         | 1/2" NPTF    |
| 94200DS   | Bare Reel   | N/A        | Air & Water | 1000 psi         | 1/2" NPTF    |
| 94300DS   | Bare Reel   | N/A        | Oil         | 4000 psi         | 1/2" NPTF    |
| 94400DS   | Bare Reel   | N/A        | Oil         | 4000 psi         | 1/2" NPTF    |
| 94500DS   | Bare Reel   | N/A        | Grease      | 8000 psi         | 3/8" NPTF    |
| 94600DS   | Bare Reel   | N/A        | Grease      | 8000 psi         | 3/8" NPTF    |
| 94163DS   | Assembled   | 3/8" x 60' | Air & Water | 300 psi          | 1/2" NPTF    |
| 94154DS   | Assembled   | 1/2" x 50' | Air & Water | 300 psi          | 1/2" NPTF    |
| 94273DS   | Assembled   | 3/8" x 75' | Air & Water | 300 psi          | 1/2" NPTF    |
| 94274DS   | Assembled   | 1/2" x 75' | Air & Water | 300 psi          | 1/2" NPTF    |
| 94354DS   | Assembled   | 1/2" x 50' | Oil         | 2000 psi         | 1/2" NPTF    |
| 94474DS   | Assembled   | 1/2" x 75' | Oil         | 2000 psi         | 1/2" NPTF    |
| 94553DS   | Assembled   | 3/8" x 50' | Grease      | 4000 psi         | 3/8" NPTF    |
| 94673DS   | Assembled   | 3/8" x 75' | Grease      | 4000 psi         | 3/8" NPTF    |

# Value Series Hose Reels/Mini Workbench Reel



## WARNING

Reels used with hazardous fluids or fuels, hose with static grounding wire must be used. For aircraft fuels, a separate static grounding cable must be furnished by the user. Consult federal and local codes for details.

## Air Reel – Value Series

Lincoln's Value Series air hose reels are constructed of durable, heavy-gauge steel and rubber air hoses. The slotted mounting base allows for easy attachment to ceilings, walls and work benches. Features include five-position adjustable outlet roller arm, spring-powered automatic recoil, angled hose guide for smooth, parallel hose pull-out and retraction and an eight-position ratchet gearing that locks the reel at the desired hose length.

### Model 83753

3/8" x 50' assembled air hose reel includes bare hose reel, 50' delivery hose and ball stop.

### Model 83754

1/2" x 50' assembled air hose reel includes bare hose reel, 50' delivery hose and ball stop.

## Specifications

| Part No. | Assembly Description | Inlet/Outlet Connection | Max. Pressure | Maximum Air Flow |
|----------|----------------------|-------------------------|---------------|------------------|
| 83753    | 50' of 3/8" air hose | 1/4" NPT                | 300 psi       | 25 cfm           |
| 83754    | 50' of 1/2" air hose | 1/2" NPT                | 300 psi       | 35 cfm           |

## Replacement Hose

| Model  | Assembly Description | Inlet/Outlet Connection | Maximum Pressure: | Maximum Air Flow |
|--------|----------------------|-------------------------|-------------------|------------------|
| 275173 | 50' of 1/2" air hose | 1/2" NPT                | 300 psi           | 35 cfm           |
| 275172 | 50' of 3/8" air hose | 1/4" NPT                | 300 psi           | 25 cfm           |

## Replacement Swivels

| Model | Swivel |
|-------|--------|
| 83753 | 279135 |
| 83754 | 279136 |

## Ball Stops

| Model | Description | Hose Type         | Hose OD         |
|-------|-------------|-------------------|-----------------|
| 85515 | Adjustable  | 72                | 5/8"            |
| 85516 | Adjustable  | 72A & 74          | 11/16" – 23/32" |
| 85517 | Adjustable  | 73, 74, 76A & 76B | 27/32" – 31/32" |
| 84347 | Adjustable  | 78 & 78B          | 11/32"          |
| 84122 | Adjustable  | NA                | 1-3/4" – 1-7/8" |
| 84257 | Adjustable  | NA                | 1-1/2" – 1-5/8" |



85515

## Mini Workbench Reel

**Lincoln's smallest reel excels in the tightest places.**

- Compact size allows for easy installation under workbenches or in cabinets
- Narrow 5-1/4" width and 14" spool makes this the most narrow reel in its class
- 1" quality spring provides reliable, consistent performance and retractability
- 5-year warranty
- Integrated swivel stem and shaft design means easy servicing by simply removing the swivel body
- High gloss, UV-resistant powder coat finish reduces scuffs and impact marks



81133

## Specifications

| Model | Pressure | Fluid     | Diameter | Length |
|-------|----------|-----------|----------|--------|
| 81133 | Low      | Air/Water | 3/8"     | 35'    |
| 81323 | Medium   | Oil       | 3/8"     | 25'    |



# Heavy-Duty Series Hose Reels

The Heavy-Duty Series reels are the finest Lincoln lube reels ever designed. Years of engineering, testing and experience preceded their introduction. The quality and reliability the professional expects from Lincoln is not only met but exceeded in form and function by the HD Series. Value, long-life and top performance were the criteria demanded before these incredible reels were released.

You should expect the best from Lincoln... the HD Series reel delivers it.

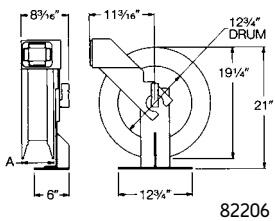


82206

## Features

- All bare reels rated for high, medium and low pressure
- Reel assemblies available in standard 30', 40' and 50' hose lengths
- Dual needle roller bearings
- Ball bearing inlet swivel design
- Quick disconnects on delivery and connecting hose
- Spring canister with seals
- Thirteen position roller outlet arm
- Delrin rollers
- Quarter-inch thick steel welded base and roller outlet arm
- Reel sheaves are rolled
- Components individually powder painted for long life and scratch resistance
- All reel assemblies factory assembled and pressure tested to insure a quality leak-free installation every time
- Basic reel assemblies can be ordered with one model number; include delivery hose, ball stop and connecting hose
- Complete reel assemblies with meter, control valve or air coupler are also available as one model number
- Backed by a five-year limited warranty. See your Lincoln representative for details

## Bare Reel Specifications



82206

| Model | Lincoln Reel Application | Hose Capacity |         |        | Working Pressure | Sheave Width | Inlet/Outlet |
|-------|--------------------------|---------------|---------|--------|------------------|--------------|--------------|
|       |                          | Rating        | Type    | Length |                  |              |              |
| 82206 | Heavy-duty long length   | SAE100R2      | 75      | 50'    | 8000*            | 5-1/2"       | 1/2" NPTF    |
|       |                          | SAE100R2      | 76A     | 50'    | 8000*            | 5-1/2"       | 1/2" NPTF    |
|       |                          | SAE100R2      | 76B     | 50'    | 8000*            | 5-1/2"       | 1/2" NPTF    |
|       |                          | SAE100R3      | 73      | 50'    | 8000*            | 5-1/2"       | 1/2" NPTF    |
|       |                          | SAE100R1      | 78      | 50'    | 8000*            | 5-1/2"       | 1/2" NPTF    |
|       |                          | RMA           | Class A | 50'    | 8000*            | 5-1/2"       | 1/2" NPTF    |

\* Note: Actual working pressure of the reel should not exceed pressure rating of the installed hose.

## High-Pressure Reels & Assemblies

### Basic Grease Assemblies\* Less Hose End Control

| Basic Reel | Bare Reel | Delivery Hose | Hose Size  | Connecting Hose | Ball Stop | Control Valve |
|------------|-----------|---------------|------------|-----------------|-----------|---------------|
| 85003-30   | 82206     | 75360         | 30' x 1/4" | 75024           | 85516     | NA            |
| 85004      | 82206     | 75480         | 40' x 1/4" | 75024           | 85516     | NA            |
| 85004-50   | 82206     | 75600         | 50' x 1/4" | 75024           | 85516     | NA            |
| 85006-30B  | 82206     | 76360B        | 30' x 3/8" | 76024B          | 85517     | NA            |
| 85004-50B  | 82206     | 76600B        | 50' x 3/8" | 76024B          | 85517     | NA            |
| 85008-50A  | 82206     | 76600A        | 50' x 1/2" | 76024A          | 85517     | NA            |

## Medium-Pressure Reels & Assemblies

### Basic Fluid Lubricant, Antifreeze & WW Fluid Assemblies\* Less Hose End Control

| Basic Reel | Bare Reel | Delivery Hose | Hose Size  | Connecting Hose | Ball Stop | Control Valve |
|------------|-----------|---------------|------------|-----------------|-----------|---------------|
| 83463      | 82206     | 73240         | 20' x 1/2" | 73024           | 85517     | NA            |
| 83463-30   | 82206     | 73360         | 30' x 1/2" | 73024           | 85517     | NA            |
| 83464      | 82206     | 73480         | 40' x 1/2" | 73024           | 85517     | NA            |
| 83464-50   | 82206     | 73600         | 50' x 1/2" | 73024           | 85517     | NA            |
| 85009-50   | 82206     | 78600         | 50' x 5/8" | 73024           | 84347     | NA            |

## Low-Pressure Reels & Assemblies

### Basic Air, Water\* Less Hose End Control

| Basic Reel | Bare Reel | Delivery Hose | Hose Size  | Connecting Hose | Ball Stop | Control Valve |
|------------|-----------|---------------|------------|-----------------|-----------|---------------|
| 85232      | 82206     | 72360         | 30' x 1/4" | 72024           | 85515     | NA            |
| 85011      | 82206     | 72600         | 50' x 1/4" | 72024           | 85515     | NA            |
| 85002A     | 82206     | 72480A        | 40' x 3/8" | 72024A          | 85516     | NA            |
| 85001      | 82206     | 72600A        | 50' x 3/8" | 72024A          | 85516     | NA            |
| 85012      | 82206     | —             | 60' x 3/8" | 72024A          | 85516     | NA            |
| 85005      | 82206     | 74480         | 40' x 1/2" | 74024           | 85517     | NA            |
| 85010-50   | 82206     | 74600         | 50' x 1/2" | 74024           | 85517     | NA            |

See pages 57-65 for meter, valve, or air coupler options for end of delivery hose.



83464-50

# High-Flow Reels/Ball Stops

**Extra-Heavy-Duty Reels for Applications that Require High Product Flow and/or Longer Hose such as Service Trucks, Lube Trucks, Transit Facilities and Large Fleet Shops.**



84275

## Model 84275

Extra-heavy-duty dual reel sheave support base design and large hose capacity make this 1/2" (inlet/outlet) reel the ideal high-pressure reel for grease, petroleum oils, air and water.



84672

## Model 84672

Extra-heavy-duty high flow design makes this 3/4" inlet/outlet reel the perfect medium-pressure reel for petroleum oils, used fluid evacuation, air and water service.



84673

## Model 84673

Extra-heavy-duty dual reel sheave support base, high flow design and large hose capacity make this 3/4" inlet/outlet reel the ideal medium-pressure reel for petroleum oils, used fluid evacuation, air and water service.

## Model 84432

Dual reel sheave support base design and high-flow swivel make this 1" inlet/outlet reel the ideal low-pressure/volume reel. This reel is suitable for gasoline, diesel fuel, fuel oil, air and water. Not suitable for ceiling or wall mounted applications.



84432

## High-Flow Reel Specifications

| Model | Designation                     | HOSE CAPACITY           |                                     |                   | Inlet/Outlet NPTF | Working Pressure psi | Sheave Width | INSTALLATION |         |
|-------|---------------------------------|-------------------------|-------------------------------------|-------------------|-------------------|----------------------|--------------|--------------|---------|
|       |                                 | SAE                     | Type                                | Length            |                   |                      |              | Width        | Depth   |
| 84275 | Extra-heavy-duty large capacity | 100R1<br>100R2<br>100R3 | 78<br>75/76A/76B<br>73              | 75'<br>75'<br>75" | 1/2"              | 5000                 | 10"          | 13-1/8"      | 12-3/4" |
| 84672 | Extra-heavy-duty high flow      | 100R1<br>100R3<br>100R6 | 3/4"ID x 1-1/4"OD<br>73<br>74       | 30'<br>50'<br>50" | 3/4"              | 2000                 | 5-1/2"       | 9-15/16"     | 12-3/4" |
| 84673 | Large capacity                  | 100R1<br>100R1          | 3/4"ID x 1-1/4"<br>78               | 75'<br>75"        | 3/4"              | 2000                 | 10"          | 14-1/2"      | 12-3/4" |
| 84432 | Heavy-duty volume               | 100R3                   | 1"OD<br>low pressure                | 50'               | 1"                | 300                  | 8"           | 15-3/4"      | 24-1/4" |
| 89010 | Super-duty high flow            | 100R3                   | 1-1/4"ID x 1-3/4"OD<br>low pressure | 50'               | 1-1/4"            | 500                  |              | 22-1/8"      | 26-1/4" |

# Hose/Hose Adapters for Reels

Lincoln high-, medium- & low-pressure hoses—every size for every application

## High-Pressure Hose—Grease

| Model  | Size | Hose Type/SAE | Inches |       | Thread     | Max Pressure psi (bar) Working |
|--------|------|---------------|--------|-------|------------|--------------------------------|
|        |      |               | ID     | OD    |            |                                |
| 75024  | 2'   | 75/100R2A     | 1/4    | 11/16 | 1/2"-27(f) | 5000 (340)                     |
| 75060  | 5'   | 75/100R2A     | 1/4    | 11/16 | 1/2"-27(f) | 5000 (340)                     |
| 75084  | 7'   | 75/100R2A     | 1/4    | 11/16 | 1/2"-27(f) | 5000 (340)                     |
| 75120  | 10'  | 75/100R2A     | 1/4    | 11/16 | 1/2"-27(f) | 5000 (340)                     |
| 75168  | 14'  | 75/100R2A     | 1/4    | 11/16 | 1/2"-27(f) | 5000 (340)                     |
| 75240  | 20'  | 75/100R2A     | 1/4    | 11/16 | 1/2"-27(f) | 5000 (340)                     |
| 75360  | 30'  | 75/100R2A     | 1/4    | 11/16 | 1/2"-27(f) | 5000 (340)                     |
| 75480  | 40'  | 75/100R2A     | 1/4    | 11/16 | 1/2"-27(f) | 5000 (340)                     |
| 75600  | 50'  | 75/100R2A     | 1/4    | 11/16 | 1/2"-27(f) | 5000 (340)                     |
| 76024B | 2'   | 76B/100R2     | 3/8    | 27/32 | 1/2"NPT(f) | 4000 (272)                     |
| 76120B | 10'  | 76B/100R2     | 3/8    | 27/32 | 1/2"NPT(f) | 4000 (272)                     |
| 76360B | 30'  | 76B/100R2     | 3/8    | 27/32 | 1/2"NPT(f) | 4000 (272)                     |
| 76600B | 50'  | 76B/100R2     | 3/8    | 27/32 | 1/2"NPT(f) | 4000 (272)                     |
| 76900B | 75'  | 76B/100R2     | 3/8    | 27/32 | 1/2"NPT(f) | 4000 (272)                     |
| 76024A | 2'   | 76B/100R2     | 1/2    | 27/32 | 1/2"NPT(f) | 4000 (272)                     |
| 76600A | 50'  | 76B/100R2     | 1/2    | 27/32 | 1/2"NPT(f) | 4000 (272)                     |

## Medium-Pressure Hose—Oil, Gear Lube & Antifreeze

|         |     |            |     |       |            |            |
|---------|-----|------------|-----|-------|------------|------------|
| 73024   | 2'  | 73/100R3   | 1/2 | 13/16 | 1/2"NPT(m) | 1500 (102) |
| 73036   | 3'  | 73/100R3   | 1/2 | 13/16 | 1/2"NPT(m) | 1500 (102) |
| 73060   | 5'  | 73/100R3   | 1/2 | 13/16 | 1/2"NPT(m) | 1500 (102) |
| 73120   | 10' | 73/100R3   | 1/2 | 13/16 | 1/2"NPT(m) | 1500 (102) |
| 73240   | 20' | 73/100R3   | 1/2 | 13/16 | 1/2"NPT(m) | 1500 (102) |
| 73360   | 30' | 73/100R3   | 1/2 | 13/16 | 1/2"NPT(m) | 1500 (102) |
| 73480   | 40' | 73/100R3   | 1/2 | 13/16 | 1/2"NPT(m) | 1500 (102) |
| 73600   | 50' | 73/100R3   | 1/2 | 13/16 | 1/2"NPT(m) | 1500 (102) |
| 73720   | 60' | 73/100R3   | 1/2 | 13/16 | 1/2"NPT(m) | 1500 (102) |
| 73900   | 75' | 73/100R3   | 1/2 | 13/16 | 1/2"NPT(m) | 1500 (102) |
| 1230120 | 10' | 1230/100R2 | 3/4 | 1-1/4 | 3/4"NPT(m) | 2250 (153) |

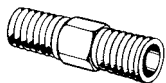
## Low-Pressure Hose—Air & Water

|        |     |             |     |       |            |             |
|--------|-----|-------------|-----|-------|------------|-------------|
| 72024  | 2'  | RMA Class A | 1/4 | 5/8   | 1/4"NPT(m) | 250 (17.01) |
| 72036  | 3'  | RMA Class A | 1/4 | 5/8   | 1/4"NPT(m) | 250 (17.01) |
| 72060  | 5'  | RMA Class A | 1/4 | 5/8   | 1/4"NPT(m) | 250 (17.01) |
| 72120  | 10' | RMA Class A | 1/4 | 5/8   | 1/4"NPT(m) | 250 (17.01) |
| 72240  | 20' | RMA Class A | 1/4 | 5/8   | 1/4"NPT(m) | 250 (17.01) |
| 72360  | 30' | RMA Class A | 1/4 | 5/8   | 1/4"NPT(m) | 250 (17.01) |
| 72600  | 50' | RMA Class A | 1/4 | 5/8   | 1/4"NPT(m) | 250 (17.01) |
| 72024A | 2'  | RMA Class A | 3/8 | 23/32 | 3/8"NPT(m) | 250 (17.01) |
| 72360A | 30' | RMA Class A | 3/8 | 23/32 | 3/8"NPT(m) | 250 (17.01) |
| 72480A | 40' | RMA Class A | 3/8 | 23/32 | 3/8"NPT(m) | 250 (17.01) |
| 72600A | 50' | RMA Class A | 3/8 | 23/32 | 3/8"NPT(m) | 250 (17.01) |
| 72720A | 75' | RMA Class A | 3/8 | 23/32 | 3/8"NPT(m) | 300 (20.68) |
| 72900A | 75' | RMA Class A | 3/8 | 23/32 | 3/8"NPT(m) | 300 (20.68) |
| 74024  | 2'  | RMA Class A | 1/2 | 27/32 | 1/2"NPT(m) | 200 (13.61) |
| 74060  | 5'  | RMA Class A | 1/2 | 27/32 | 1/2"NPT(m) | 200 (13.61) |
| 74480  | 40' | RMA Class A | 1/2 | 27/32 | 1/2"NPT(m) | 200 (13.61) |
| 74600  | 50' | RMA Class A | 1/2 | 27/32 | 1/2"NPT(m) | 200 (13.61) |
| 74900  | 75' | RMA Class A | 1/2 | 7/8   | 1/2"NPT(m) | 300 (20.68) |
| 275172 | 50' | RMA Class C | 3/8 | 23/32 | 1/4"NPT(m) | 300 (20.68) |
| 275173 | 50' | RMA Class C | 1/2 | 27/32 | 1/2"NPT(m) | 300 (20.68) |

## Hose Accessories Nipples, Couplers & Bushings for Lincoln Grease Hose

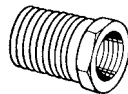
### Nipples

| Model | Thread                    |
|-------|---------------------------|
| 10198 | 1/4" NPT(m) x 1/2"-27 (m) |
| 10199 | 1/8" NPT(m) x 1/2"-27 (m) |
| 10202 | 1/2"-27(m) x 1/2"-27(m)   |
| 12957 | 1/2" NPT(m) x 1/2"-27 (m) |
| 11197 | 1/2" NPT(m) x 1/2" NPT(m) |



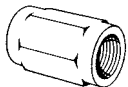
### Reducing Couplings

|       |                           |
|-------|---------------------------|
| 11852 | 1/8" NPT(f) x 1/2"-27 (f) |
| 10522 | 1/4" NPT(f) x 1/2"-27 (f) |
| 67171 | 3/4" NPT(m) x 1/2" NPT(f) |



### Bushings

|       |                           |
|-------|---------------------------|
| 10200 | 1/8" NPT (f) x 1/2"-27(m) |
| 10204 | 1/4" NPT(f) x 1/2"-27 (m) |
| 12287 | 1/2"-27(f) x 1/2" NPT(m)  |



## Lincoln High-Pressure Replacement Hose Cross Reference

| Model    | Original Threads          | Replacement                                   |
|----------|---------------------------|-----------------------------------------------|
| Alemite  | 1/2"-27(f) x 1/2"-27(f)   | Any Type 75 Hose                              |
| Aro      | 1/8" NPT(m) x 1/8" NPT(f) | Any Type 75 Hose, 10199 Nipple, 10200 Bushing |
| Balcrank | 1/8" NPT(m) x 1/8" NPT(f) | Any Type 75 Hose                              |
| Graco    | 1/4" NPT(m) x 1/4" NPT(m) | Any Type 75 Hose, Two (2) 10198 Bushing       |

## Power Cord and Light Reels

**Introducing Lincoln's New Line of Power Cord and Light Reels. Designed for Light-, Medium- and Heavy-Duty Applications in Home, Shop and Factory Environments.**



### Power Cord Reels

- Clear triple tap illuminates when receiving power
- Overload protection
- Adjustable cord stop with anti-kink cord spring
- 4 ft. connection lead
- 125 VAC input voltage
- cUL listed

### Model 91025 Light Duty

- 30' 16/3 SJTOW cord - cold weather compatible, grease, oil and water resistant
- Steel housing
- Hardware included for wall or ceiling mounting
- 10 amp rating



### Model 91029 Medium Duty

- 50' 14/3 SJTOW cord - cold weather compatible, grease, oil and water resistant
- Heavy-duty flame resistant ABS housing
- Wall, ceiling or bench mounted with three fixed-angle positions
- 12 amp rating



### Fluorescent Light Reels

- Super bright 13W fluorescent PCB electronic bulb
- Soft PVC handle and top cap for superior impact protection
- Fully enclosed safety switch
- Shatter-proof design light extension with polycarbonate clear tube
- Steel wire hooks for hanging light while you work
- Steel retraction spring for positive reel winding
- Adjustable cord stop with anti-kink cord spring
- cUL listed
- 125 VAC input voltage
- 4 ft. connection lead

### Model 91024 Light Duty

- 30' 18/2 SJTOW cord - cold weather compatible, grease, oil and water resistant
- Steel housing
- Hardware included for wall or ceiling mounting.



### Model 91026 Medium Duty

- 50' 18/2 SJTOW cord - cold weather compatible, grease, oil and water resistant
- Heavy-duty flame resistant ABS housing
- Wall, ceiling or bench mounted with three fixed-angle positions
- 12 amp rating

91026

# Power Cord and Light Reels

91027



## LED Light Reels

- 50' 18/2 SJTOW cord - cold weather compatible, grease, oil and water resistant
- Soft PVC handle and top cap for superior impact protection
- Fully enclosed safety switch
- Wall, ceiling or bench mounted with three fixed-angle positions
- Shatter-proof design light extension with polycarbonate clear tube
- Steel retraction spring for positive reel winding
- Adjustable cord stop with anti-kink cord spring
- cUL listed
- 125 VAC input voltage
- 4 ft. connection lead

91028



## Model 91027 Medium Duty

- 30 super bright premium white LEDs
- Curved chrome plated panel focuses the light intensity on work area
- Steel wire hooks for hanging light while you work

## Model 91028 Medium Duty

- 60 super bright premium white LEDs
- 360° rotating plastic hook

91030



## Heavy-Duty Reels

- Spring retractable with latch
- Compact for critical space requirements
- Durable abrasion and corrosion resistant baked-on powder coat finish
- Wall, ceiling or bench mount
- Engineered for industrial use
- All models supplied with cord are complete with approximately 4 foot pigtail and three-prong plug
- Adjustable cord stop
- cUL listed

91032



## Model 91030

- Single receptacle
- 50' 16/3 SJTOW cord - cold weather compatible, grease, oil and water resistant
- 13 amp rating

## Model 91031

- Single receptacle
- 45' 12/3 SJEOW cord
- 20 amp rating

91033



## Model 91032

- Duplex outlet box with GFCI (F)
- 45' 12/3 SJEOW cord
- 20 amp rating

## Model 91033

- Fluorescent light
- 50' 16/2 SJTOW cord - cold weather compatible, grease, oil and water resistant

## Model 91034

- Fluorescent light and outlet
- 50' 16/3 SJTOW cord - cold weather compatible, grease and oil resistant
- 10 amp rating

91034



# Control Valves & Swivels—Grease

**Lincoln Control Valves, Meters and Accessories Provide the Durability and Precision You Need for Your Lubrication Systems.**



740

## Model 740 Heavy-Duty High-Pressure

- 7500 psi maximum operating pressure
- Precision-machined, all steel handle, body and guard bracket provides durability and longevity
- Unique, precision control inlet check valve provides ease of handle operation even with increase in pressure
- Knurled handle for positive grip
- Handy trigger guard prevents pinching
- Reversible inlet check seat and hydraulic jaws provide double life
- Balanced design reduces user fatigue
- Lubricant inlet 1/4" NPT(f); outlet 1/8" NPT(f)
- Easily repaired for extended life

## Model 3050 Volume High-Pressure

Same as 740 except with 3/8" NPT(f) lubricant inlet for use with Lincoln volume high-pressure swivels and hose.

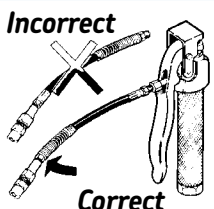
## Model 82157 Repair Parts Kit

For control valves 740 and 3050.

### WARNING

Whip Hoses Models  
3029, 3034, 5812,  
5818, 5861, 81725,  
81726, 81795

Install as shown.



### WARNING

For safe and proper use, always consult instructions accompanying product. See Safety Warning Information for appropriate warnings.

## High-Pressure Grease Control Valve

| Model | Description                              | Thread Size | Extension  | Coupler | Valve |
|-------|------------------------------------------|-------------|------------|---------|-------|
| 740   | Hi-Pressure Control Valve<br>1/4" NPT(f) | 1/4" NPT(f) | Rigid Tube | 5845    | 82393 |
| 3050  | Volume                                   | 3/8" NPT(f) | Rigid Tube | 5845    | 81495 |

## High-Pressure Control Valve No Extension

| Model | Description | Thread Size |
|-------|-------------|-------------|
| 82393 | Heavy-Duty  | 1/4" NPT(f) |
| 81495 | Volume      | 3/8" NPT(f) |

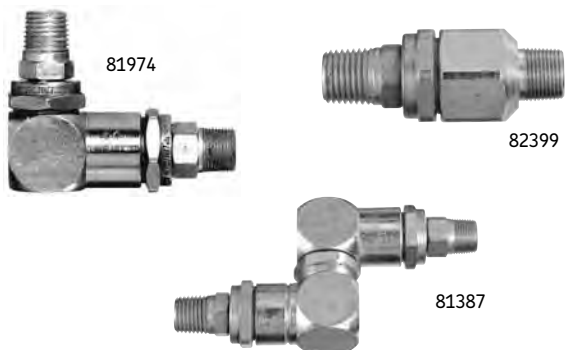
## Swivels

### Volume High-Pressure Swivels

| Model | Description | Thread Size               |
|-------|-------------|---------------------------|
| 81728 | Straight    | 1/2" NPT(m) x 3/8" NPT(m) |
| 82072 | Straight    | 1/2" NPT(m) x 1/2" NPT(m) |
| 82087 | 90° Angle   | 1/2" NPT(m) x 1/2" NPT(m) |
| 81729 | Universal   | 1/2" NPT(m) x 3/8" NPT(m) |
| 82073 | Universal   | 1/2" NPT(m) x 1/2" NPT(m) |

### Model 82158 Repair Kit

Repair Parts Kit for 81387 standard universal swivel.



## High-Pressure Swivels

| Model  | Description | Thread Size               |
|--------|-------------|---------------------------|
| *81606 | Straight    | 1/8" NPT(f) x 1/8" NPT(m) |
| *81703 | Straight    | 1/8" NPT(m) x 1/8" NPT(m) |
| 82080  | Straight    | 1/2"-27 (m) x 1/2"-27 (m) |
| 82399  | Straight    | 1/2"-27 (m) x 1/4" NPT(m) |
| 83938  | Straight    | 1/4" NPT(m) x 1/4" NPT(m) |
| 81386  | 90° Angle   | 1/2"-27 (m) x 1/8" NPT(m) |
| 81723  | 90° Angle   | 1/8" NPT(m) x 1/8" NPT(f) |
| 81974  | 90° Angle   | 1/2"-27 (m) x 1/4" NPT(m) |
| 82251  | 90° Angle   | 1/8" NPT(m) x 1/8" NPT(m) |
| 81387  | Universal   | 1/2"-27 (m) x 1/4" NPT(m) |
| 82252  | Universal   | 1/8" NPT(m) x 1/8" NPT(m) |
| 83594  | Universal   | 1/4" NPT(m) x 1/4" NPT(m) |

\*Whip Hose only; max. pressure 4500psi

## Model 85021 Kit

Consists of 740 control valve and 81387 universal "z" swivel.



# Control Valves—Fluid Lubricants



## Heavy-Duty Fluid Control Valves

These new fluid control valves provide all the benefits of the latest design technology and offer all the features and components for a low-cost solution for your fluid dispensing needs.

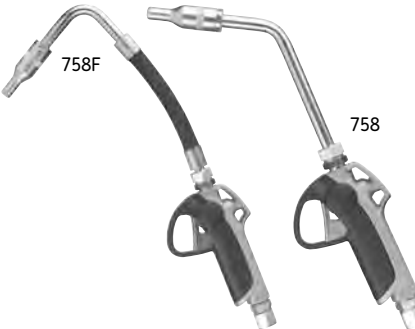
- Rugged aluminum construction
- Dispenses all automotive fluids: motor oils, gear oils, transmission fluid and antifreeze
- All indoor and outdoor applications

### Model 712 Series

Oil control gun with semi-automatic nozzle operation. Inlet 3/4" NPT(f).

### Model 780

Gear oil shut-off valve for use with fluid lubricant pumps. Includes shut-off valve with built-in swivel and 82070 non-drip nozzle extension. Inlet 1/2" NPT(f).



### Model 769

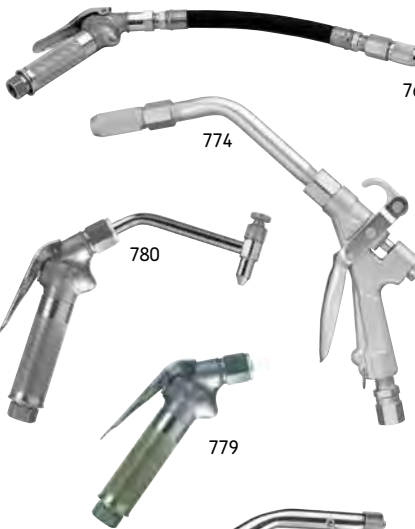
Includes 780 valve with built-in swivel, flexible extension and 277814 nozzle.

### Model 758

Includes 260381 rigid extension. Inlet/outlet 1/2" NPT(f). Can be locked in open position for continuous dispensing. Trigger guard prevents accidental dispensing. 1015 psi (70 bar) maximum operating pressure. 7.5 GPM flow.

### Model 758F

Same as 758 except with flexible extension.



## Heavy-Duty Volume

### Model 774

Includes 82906 shut-off valve and 242503 pipe extension and 277814 automatic nozzle.

### Model 775

Includes 82906 shut-off valve and 82932 rigid extension nozzle.

### Model 776

Includes 82906 shut-off valve and 12" flexible hose and 277814 non-drip nozzle with manual shut-off.

### Model 779

Gear oil shut-off valve for use with fluid lubricant pumps.

### Model 282930

High-flow valve rated up to 15 gpm and 1500 psi. Includes flexible extension and manual nozzle.

### Model 282951

Same as Model 282930 without the nozzle.



## Oil Control Valves

| Model No. | Max. Flow Rate | Inlet Thread Size | Extension      | Nozzle     |
|-----------|----------------|-------------------|----------------|------------|
| 712F      | 12 GPM         | 3/4 NPT(f)        | Flex Hose      | 276281     |
| 712R      | 12 GPM         | 3/4 NPT(f)        | Rigid Pipe     | 276282     |
| 758       | 7.5 GPM        | 1/2 NPT(f)        | Rigid Assembly | 260381     |
| 758F      | 7.5 GPM        | 1/2 NPT(f)        | Flex Assembly  | 260380     |
| 774       | 5 GPM          | 1/2 NPT(f)        | Rigid Pipe     | 277814     |
| 775       | 5 GPM          | 1/2 NPT(f)        | Rigid Pipe     | 82932      |
| 776       | 5 GPM          | 1/2 NPT(f)        | Flex Hose      | 277814     |
| 780       | 5 GPM          | 1/2 NPT(f)        | Rigid Pipe     | 82070      |
| 799       | 5 GPM          | 1/2 NPT(f)        | None           | None       |
| 282930    | 15 GPM         | 3/4 NPT(f)        | Flex Hose      | 282941 Kit |

### Model 66584 Strainer

For use with 775, 776, 82906. #30 mesh, 9/16" OD.

# Metering Control Valves—Fluid Lubricants

## Electronic Lube Meters

### Features

- Dispense motor oil, ATF and gear lube
- One model can dispense pints, quarts, liters or gallons
- Automatic non-drip nozzle
- Narrow nozzle fits into small I.D. ATF fill tubes
- Easy to read digital display for accurate bulk dispensing
- .01 increment readout for precise measurement
- Includes inline swivel, rigid extension, automatic non-drip nozzle and inline containment filter

## Electronic Lube Meters

Totalizing liters or gallons. 1/2" NPT(f).

| Model    | Lock-On / Lock Open        | Extension | PSI  | GPM  |
|----------|----------------------------|-----------|------|------|
| 905*     | Rigid/70°/Auto nozzle      | Yes       | 1000 | 5.0* |
| 905SF**  | For water-based solutions  | Yes       | 1000 | 5.0  |
| 912EF*** | Flexible                   | Yes       | 1500 | 12.0 |
| 912ER*** | Rigid                      | Yes       | 1500 | 12.0 |
| 954      | Flexible with auto nozzle  | Yes       | 1500 | 6.0  |
| 967      | Flexible w/ 84799 nozzle   | Yes       | 1500 | 4.0  |
| 980      | Flexible 90° w/ Manual tip | Yes       | 1500 | 8.0  |
| 981      | Rigid/30°/Auto tip         | Yes       | 1500 | 8.0  |
| 982      | Flexible w/ Auto tip       | Yes       | 1500 | 8.0  |

\* 8.0 gpm without nondrip nozzle. \*\* Models 905 and 905SF offers preset mode. \*\*\*3/4" NPT  
 Model 905 – ATF, hydraulic fluid, motor oils, gear oils  
 Model 905SF – Antifreeze, windshield washer solution, brake fluid

## Electronic High Flow Control Valve

| Model  | Measure      | Extension | PSI  | GPM |
|--------|--------------|-----------|------|-----|
| 280690 | Programmable | Flexible  | 1500 | 15  |

## Mechanical Lube Meters

Totalizing in meters. 3-1/2" diameter, inlet/outlet 1/2" NPT(f).

| Model                                                 | Dial Totals             | Graduation  | Extension          | PSI  | GPM |
|-------------------------------------------------------|-------------------------|-------------|--------------------|------|-----|
| <b>Oils, ATF and Antifreeze</b>                       |                         |             |                    |      |     |
| 867*                                                  | 16 gallons              | 1/16 gallon | 10" flex w/ 84799  | 1000 | 4.0 |
| 876*                                                  | 16 quarts               | 1/4 quart   | 4" rigid w/ 93548  | 1000 | 4.0 |
| 877*                                                  | 16 quarts               | 1/4 quart   | 10" flex w/ 84799  | 1000 | 4.0 |
| 883*                                                  | 16 quarts               | 1/4 quart   | 20" flex w/ 84799  | 1000 | 4.0 |
| 68410                                                 | 16 quarts               | 1/4 quart   | None               | 1000 | 4.0 |
| 899*                                                  | 10 liters               | 1/10 liter  | 10" flex w/ 84799  | 1000 | 4.0 |
| <b>Gear Lube</b>                                      |                         |             |                    |      |     |
| 878                                                   | 8 pints                 | 1/16 gallon | 7" rigid w/ nozzle | 1000 | 4.0 |
| 881                                                   | 10 liters               | 1/10 liter  | 7" rigid w/ nozzle | 1000 | 4.0 |
| <b>Pre-set Countdown for Oils, ATF and Antifreeze</b> |                         |             |                    |      |     |
| 3866*                                                 | 16 quarts/<br>10 liters | 1/2 gallon  | Rigid w/ 93548     | 1000 | 4.0 |
| 3867*                                                 | 60 quarts               | 1 quart     | Rigid w/ 93548     | 1000 | 4.0 |
| 3868*                                                 | 60 gallons              | 1 gallon    | Rigid w/ 93548     | 1000 | 4.0 |
| 3942*                                                 | 60 liters               | 1 liter     | Rigid w/ 93548     | 1000 | 4.0 |

\* Includes 90464 swivel.



## Accessories—Fluid Lubricants

### **Non-Drip Nozzles & Assemblies**

#### **Model 93547 Nozzle**

1/4" NPT(f) inlet automatic non-drip nozzle with manual closure feature. For packaged version, please use model 84799.



#### **Model 93548 Nozzle**

Same as 93547 with 1/2" NPT(m) inlet.

#### **Model 85799 Nozzle**

Same as 84799 with 1/2" NPT (f) inlet.



#### **Model 277814 Nozzle**

1/2" NPT(f), features manual shut-off.



#### **Model 82258 Assembly**

1/2" x 1/4" NPT(m), 10" hose (91241) and 1/4" NPT(f) automatic non-drip nozzle (93547).

### **Control Valve Accessories**

#### **Model 276281**

Flexible extension with semi-auto nozzle (712) 3/4" NPT(f).



#### **Model 276283**

Rigid extension with semi-auto nozzle (712) 3/4" NPT(f).



### **Electronic Meter Accessories**

#### **Model 260380**

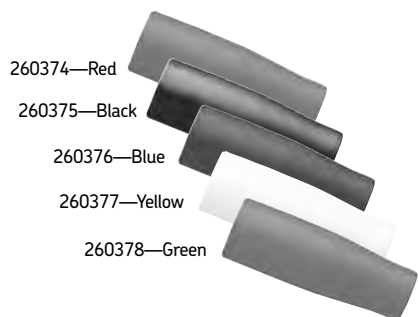
Flexible extension with non-drip valve for fluid dispensing in hard-to-reach areas.

#### **Model 260381**

Rigid extension with non-drip valve.

### **Colored Swivel Guards**

Attach these flexible swivel guards to separate meters to differentiate between fluids. Available in red, black, blue, yellow and green.



### **Meter Accessories**

#### **Model 242911 Shroud Protector**

Universal shock protector for all 3-1/2" diameter Lincoln electronic lube meters. Heavy-duty rubber cover fits easily over meter face. Order as separate accessory.



#### **Model 90464 Swivel**

Straight oil meter swivel, 1/2" NPT(m) x 1/2" NPT(f). 1000 psi (68 bar) maximum working pressure.

## Inline/Volume Meters



961

### Model 961 High-Volume Gallons

U.L. approved for gasoline and diesel fuels. Meters light-weight petroleum-base products by pump or gravity flow. Volume flow of 6 to 38 gpm. Calibrated in U.S.gallons; 1/10 gallon graduations. Straight readout to 999.9 gallons; reset knob on meter body. Non-reset totalizer on meter face. 50 psi max. pressure. 6-1/4" h, 7-1/8" w; 5-1/2 lbs. 1" NPT(f) inlet/outlet.

*NOTE: For consumer use only. Not intended for measurement where resale is contemplated.*

### Model 964 Liters

Same as 961, except meter is calibrated in liters. Straight readout to 999.9 liters. Maximum working pressure: 3.5 kilograms per square centimeter.



962

### Model 962 Volume Gallons

For oils and ATF up to SAE 40 weight. Calibrated in U.S. gallons; 1/10 gallon graduations. Straight readout to 999.9 gallons; reset knob on meter body. Non-reset totalizer on 6" diameter dial face. 1000 psi max. pressure. 1" NPT(f) inlet/outlet.

*NOTE: For consumer use only. Not intended for measurement where resale is contemplated.*

### Model 963 Liters

Same as 962, except meter is calibrated in liters.

### Model 870 Pints

Dial diameter 3-1/2"; inlet 1/2" NPT(f). 1000 psi maximum working pressure.



870

### Model 871 Quarts

Calibrated and totalizes in quarts. Total measure on dial is 4 quarts.

### Model 873 Liters

Calibrated and totalizes in liters. Total measure on dial is 10 liters.



857

### Model 857

Calibrated in quarts. Large electronic display to 999.9.

### Model 2873 Liters

Calibrated in liters. Total on dial is 4 liters.

### Model 812 Universal Digital Inline Meter

Measures in quarts, gallons and liters. Resettable and non-resettable accumulative totals. 1000 psi max., 1/2" inlet/outlet, 8GPM max.



812

### Model 813 Universal Digital Inline Meter

Same as Model 812 but with 3/4" inlet/outlet, 0.8 to 21GPM range.

## Inline Lube Meters

| Model | Totalizing | Totals       | Graduation  | Max. psi |
|-------|------------|--------------|-------------|----------|
| 857   | Yes        | 999.9 qt.    | .05 quart   | 1000     |
| 870   | Yes        | 8 pints      | 1/4 pint    | 1000     |
| 871   | Yes        | 4 quarts     | 1/4 quart   | 1000     |
| 873   | Yes        | 10 liters    | 1/10 liter  | 1000     |
| 961   | Yes        | 999.9 gal.   | 1/10 gallon | 50       |
| 962   | Yes        | 999.9 gal.   | 1/4 pint    | 1000     |
| 963   | Yes        | 999.9 ltr.   | 1/10 liters | 1000     |
| 964   | Yes        | 999.9 ltr.   | 1/10 liters | 50       |
| 2873  | No         | 4 liters     | 1/10 liter  | 1000     |
| 812   | Yes        | 9999.9 units | .01 units   | 1000     |
| 813   | Yes        | 9999.9 units | .01 units   | 1500     |

# Air & Water Control Valves

## Blow Guns

### Model 840



840

- Handy thumb-button design provides ease of operation
- Brass stem and synthetic packaging for service life
- Addition of air nipple permits quick connect or disconnect
- Inlet 1/4" NPT(f); outlet 7/64" diameter

### Model 950



960

- Same as 840, except with air restricter
- Nozzle inlet pressure 30 psi maximum complies with Federal Safety Regulation 50-204.8 and OSHA 1910 242.B.

### Model 960

- Light-weight cast aluminum pistol grip
- Inlet 1/4" NPT(f); outlet 7/64" diameter; height 5-3/4"
- Nozzle inlet pressure 30 psi maximum complies with Federal Safety Regulation 50-204.8 and OSHA 1910 242.B.

### Model 940



5980

- Same as 960 less air restricter
- When used for large cleaning requirement or chip cleaning, regulated air pressure must not exceed Federal recommended maximum.

### Model 5980

- Thumb control provides comfort and ease of operation
- Inlet 1/4" NPT(f); outlet 1/8" NPT(f) outlet

### Model 5990 Rubber Tip for Blow Guns



5990

- Rubber tip will not scratch surfaces.
- Fits 840, 940 and 5980 blow guns, as well as many competitive models.
- 1/8" NPT(m) threads.

## Air & Water Accessories

### Model 846 Water Bibbcock

For attaching to water service hose.



846

- 1/4" NPT(f) inlet.
- Thumb-action trigger. Built-in strainer filters out contaminants.

### Model 845 Water Bibbcock

Same as 846 except inlet 3/4"-11-1/2" AN connects to standard lawn hose.



815



66951

## Air/Water Accessories

| Model | Description            | Style                          |
|-------|------------------------|--------------------------------|
| 815   | 1/4"(f) Air Coupler    | Lincoln "Long Stem"            |
| 845   | Inlet 3/4" -11-1/2" AN | Connects to standard lawn hose |
| 846   | 1/4"(f) Water Bibbcock | Low-pressure water             |
| 11659 | 1/4"(m) Air Nipple     | Lincoln "Long Stem"            |
| 66951 | 1/4"(f) Tire Chuck     | Standard tire chuck            |



11659

## Airline Sprayers/Valves



### **Air-Operated Sprayers** **Model 939**

- Adjustable suction control varies fluid volume as needed.
- Strainer assembly in suction hose keeps out contaminants while assuring uninterrupted flow of fluid.
- 6' vinyl suction hose permits use with most any container from gallon jug to 400 lb. drum.
- Convenient addition of air coupler nipple permits quick coupling to any air hose.
- Rust and corrosion resistant—pistol grip handle includes brass stem and synthetic packing.
- Use with solvents or detergent solutions. Compatible with vinyl, aluminum and carbon steel.
- Standard air inlet 1/4" NPT(f).
- Powerful spray. Maximum operating pressure 200 psi.



### **Model 5983**

- Use with solvents or detergent solutions.
- 1/4" NPT(f) inlet.
- Maximum operating pressure 150 psi.



### **Tire Accessories**

#### **Model 80423 Tire Inflator**

- 12" hose extension provides extra-reach capacity.
- Tapered chuck nut allows inflator to fit wheel covers on cars and light trucks.
- Dual chuck permits use of gauge on trucks with dual tires.
- Includes 11659 nipple for use with 815 coupler. 200 psi maximum inlet pressure. 0-120 psi scale in 2 psi graduations.

#### **Model 66951 Air Chuck**

For inflating tire. 1/4" NPT(f) inlet.

### **Self-Coiling Air Hose**

#### **Model 84606**

- Tough abrasive resistant material provides long service life.
- Coiled spring guards prevent kinking.
- 1/4" I.D. x 25' long—extra length for those hard-to-reach places.
- Working pressures up to 200 psi. 1/4" NPT(m) fittings each end.

*Note: Blow guns on page 62.*



66951



84606



# Air Couplers & Nipples



815 1/4" (f)



11659 1/4" (m) 11660 1/8" (m)



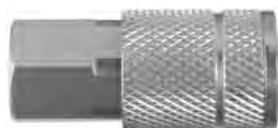
11661 1/4" (f)



13329 1/4" (f)



13331 1/4" (f)



5874 3/8" (f)



5875 3/8" (m)



5876 3/8" (f)



815 Cut-away  
1/4" (f)

**Coupler and nipple can be joined without user pulling back on sleeve. A true quick-connect design!**

Lincoln air couplers provide split-second coupling of grease guns, impact wrenches, paint sprayers and other air-operated equipment. Air flow products from Lincoln have the features and durability you demand for your business.

- Positive action locking mechanism so coupler cannot be detached accidentally.
- Extra large air passage insures greater air flow.
- Automatic air check valve shuts off air instantly when uncoupled, providing leak-proof seal.
- Corrosion-resistant steel plug and stainless steel check and check spring for long service life.
- Free swiveling action prevents curling or kinking of air hose.

## Lincoln-Style Couplers & Nipples for 1/4" ID

### Models 815, 11659, 11660, 11661

250 psi maximum operating pressure. Extra-long stem of nipple and coupler body assures long service life, easy connections under severe operating conditions. Maximum air flow 52 scfm at 100 psi.

815 Length 2-1/2" (65mm); diameter 1-1/16" (37mm); weight 4-1/2" ounces (126g).

NOTE: 11659 is available non-packaged for bulk orders as 238394.

## ARO-Style Couplers & Nipples for 1/4" ID

### Models 5862, 13329, 13331

Fits ARO style nipples for 1/4" ID hose. 300 psi maximum operating pressure. 1/4" (f) NPT inlet. Maximum airflow 38 scfm at 100 psi. Length 2"; diameter 1-1/8"; weight 4 ounces.

## Universal Coupler

### Model 5862

Fits all Automotive/Tru-Flate, ARO, and Industrial/Milton-style nipples for 1/4" ID hose 300 psi maximum operating pressure. 1/4" (f) NPT inlet. Maximum airflow 38 scfm at 100 psi. Length 2"; diameter 1-1/8"; weight 4 ounces.

Coupler and nipple can be joined without user pulling back on sleeve. A true quick-connect design!



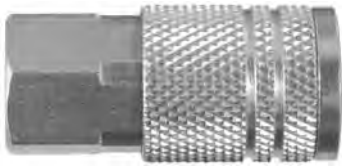
5862

## Automotive/Tru-Flate-Style Couplers & Nipples for 3/8" ID

### Models 5874, 5875, 5876

300 psi maximum operating pressure. Maximum air flow 100 scfm at 100 psi. Length 2-3/8"; diameter 1"; weight 4.8 ounces.

## Air Couplers & Nipples



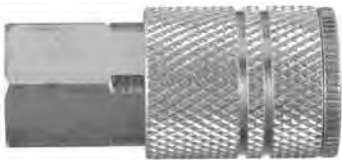
632004  $\frac{1}{4}$ " (f)



630104  $\frac{1}{4}$ " (m)



630204  $\frac{1}{4}$ " (f)



642006  $\frac{3}{8}$ " (f)



640104  $\frac{3}{8}$ " (m)



640204  $\frac{3}{8}$ " (f)



652008  $\frac{1}{2}$ " (f)



650108  $\frac{1}{2}$ " (m)



650208  $\frac{1}{2}$ " (f)

### **Industrial/Milton-Style Couplers & Nipples for 1/4" ID (63 Series)**

#### **Models 632004, 630104, 630204**

Maximum operating pressure 250 psi (17 bar). Maximum air flow 45 scfm at 100 psi. Length 1-3/4" (44mm); diameter 1-1/8" (29mm); weight 3 ounces (84g).

### **Industrial-Style Couplers & Nipples for 3/8" ID (64 Series)**

#### **Models 642006, 640104, 640204, 640106, 640206**

Maximum operating pressure 250 psi. Maximum air flow 108 scfm at 100 psi. Length 2-1/16" (52mm); diameter 1-5/16" (49mm); weight 6 ounces (168g).

### **Industrial-Style Couplers & Nipples for 1/2" ID (65 Series)**

#### **Models 652008, 650108, 650208**

Maximum operating pressure 200 psi (14 bar). Maximum air flow 176 scfm at 100 psi. Length 2-3/4" (70mm); diameter 1-1/2" (38mm); weight 9 ounces (252g).

#### **KEY**

|               |                    |                   |                    |
|---------------|--------------------|-------------------|--------------------|
| <b>xx</b>     | <b>x</b>           | <b>x</b>          | <b>xx</b>          |
| <b>Series</b> | <b>0 = nipple</b>  | <b>1 = male</b>   | <b>thread size</b> |
|               | <b>2 = coupler</b> | <b>2 = Female</b> | <b>IN 1/16"</b>    |

# DEF Equipment

## Lincoln's Heavy-Duty Answer to the EPA's New Emission Regulations

Power, Durability and Reliability for Stationary, Installed and Portable Service Applications in Heavy-Duty Shops



85700-50



85622

### Hose Reels

- DEF-specific reels are smaller and easier to operate
- Designed for versatile installation options
- Steel reel with stainless steel fluid paths

| Model No. | Description                                      |
|-----------|--------------------------------------------------|
| 85700-30  | 1/2" x 30' DEF hose on reel                      |
| 85700-50  | 1/2" x 50' DEF hose on reel                      |
| 277265    | 1/2" x 2' Reel inlet hose with 1/2" BSPP threads |
| 277266    | 1/2" x 30' Hose with 1/2" BSPP threads           |
| 277267    | 1/2" x 50' Hose with 1/2" BSPP threads           |



277280



277281

### Air-Operated Diaphragm Pump

- Environmentally friendly - no motors, seals or packing to leak
- Self-priming

### IBC Tote

- Electric or air operated
  - Electric - 277280
  - Air-operated diaphragm pump with wall mount (custom BOM per installation requirements)
- 275/330 gallon
- Dispense at tote 1/2" x 30' Hose with 1/2" BSPP threads
- Pipe to reels

### 55-Gallon Drum

- Electric
  - Portable - 277281
  - Stationary - 277280
- Air Operated
  - Stationary - Air-operated diaphragm pump (custom BOM per installation requirements)

### AC Electric Pump - Model 272251

- High-wattage motor works harder with less effort.
- 110 VAC or 12 VDC stainless steel rotary vane pump, small compact
- Self priming, continuous duty, 1/2 Hp, 3450 RPM
- 8 GPM flow rate, 29 PSI maximum pressure



277250

# DEF Equipment

## Meters/Dispense Valves

### Model 277255 S.S. Automatic Nozzle

- 3/4" BSPP threads
- 50 psi maximum pressure



### Model 277256 DEF Meter

- 2 to 20 GPM flow range
- ± 0.5% accuracy
- 3/4" female BSPP inlet/outlet
- 120 psi maximum pressure
- LCD display



277256



277538

### Model 277538 Metered Control Valve

- 0.26 to 9 GPM flow range
- ± 0.5% accuracy
- 1/2" female BSP threads
- 145 psi maximum pressure
- Resettable totalizer and non-resettable total on 2 line LCD register

## Accessories

- Couplers
  - Disposable drums and totes
  - Returnable drums and totes
  - 3/4" BSPP female threads
- Dip Tubes
  - Drums
  - 275 gal. totes
  - 330 gal. totes



277230



277233



277219



277235  
277236  
277237

| Model No. | Description                                                                      |
|-----------|----------------------------------------------------------------------------------|
| 277230    | Coupler, 3/4" hose barb for colder-style drum insert                             |
| 277219    | Coupler, 3/4" hose barb for micro-matic drum insert                              |
| 277232    | Coupler, 3/4" male BSPP                                                          |
| 277233    | Drum insert, 2" buttress thread                                                  |
| 277234    | Drum insert, 2" NPS (ISO G2) thread, colder style for plastic 55-gallon drums    |
| 277235    | Dip tube, 35.5" long for 55 gallon drums, colder style for 275-/330-gallon totes |
| 277236    | Dip tube, 39.0" long for 275 gallon IBCs                                         |
| 277237    | Dip tube, 39.0" long for 330 gallon IBCs                                         |
| 277238    | Torque socket tool for drum inserts                                              |
| 277239    | Air filter, 1/2" NPT(M), 70 micron - recommended for colder-style coupler        |
| 277254    | 3/4" x 12' hose with 3/4" BSPP threaded fittings                                 |
| 277258    | 3/4" x 6' hard wall suction hose with 3/4" BSPP stainless fittings + hose barb   |
| 277633    | 1/2" x 5' hose with 1/2" BSPP threads                                            |
| 277635    | 3/4" x 6' suction hose with hose barb                                            |

# Air Controls and Accessories

## Lincoln Regulators, Filters & Lubricators

A well-planned compressed air system ensures minimum pressure loss in the system and the removal of contaminants: water, compressor oil, etc. An inefficient system results in higher costs per unit of compressed air, improper or erratic tool operation, shortened component life and reduced capacity. Lincoln provides individual components and combined component systems to give you the highest quality for your compressed air tool operations.

Changes in air pressure can affect the performance of air-powered equipment. Most equipment will operate beyond recommended pressure, but this causes excess torque, force and wear and wastes compressed air. Lincoln air regulators eliminate this problem by providing the consistent pressure required for each tool, ensuring maximum life and working efficiency for your pneumatic equipment.

Air filters are essential for proper performance of air powered tools, equipment and machinery. Lincoln filters are designed to minimize water vapor and contaminants in the air supply. Install a large filter in the main distribution line immediately after the compression accumulator tank. Another smaller filter should be placed inline within 20 feet of the equipment it will protect. This ensures the removal of solid particles at point of use and most condensed moisture.

Most air-operated tools, equipment and components of air systems require oil lubrication for proper function and to ensure long service life. Lincoln air line lubricators are designed to meter precise amounts of lubricant into the air supply, improving the efficiency of cylinders, valves and air motors. Lubrication is automatically provided in a nearly constant oil-to-air ratio over a wide range of air flows. Air passing through the operated device is a very fine mist that can be carried over a long distance, serving more than one tool at a time.



### Miniature Units

#### Model 600003 Miniature Regulator

All brass construction with Buna N diaphragm. For 1/4" pipe size. Maximum supply pressure 300 psig. Reduced pressure range: 0-125 psig. Operating temperature range: -40° to 180°F. Diameter 1-3/8", height 2-3/4", weight 1/2 lb.

#### Model 600103 Miniature Filter

All brass construction with porous bronze filter (20 micron) element and shatter proof polycarbonate bowl. For 1/4" pipe size. Maximum supply pressure 200 psi. Maximum operating temperature 120°F. Diameter 1-9/16", height 4", weight 3/8 lb.

#### Model 600203 Miniature Lubricator

All brass construction with shatterproof polycarbonate bowl. For 1/4" pipe size. Maximum supply pressure 200 psi. Maximum operating temperature 120°F. Oil viscosity limitation not over 800 S.S.U. (SAE #30 not under 85°F). Diameter 1-9/16", height 4-3/8", weight 1-4 lb.

### Gauges



#### Model 66100 Gauge

Registers pressures up to 200 psi. Dial diameter 2". 1/4" NPT(m) bottom connection. Calibrated both in psi and kg/cm<sup>2</sup>.

#### Model 66101 Gauge

Same as 66100 except 1/8" NPT(m) bottom connection.

#### Model 600401 Gauge

Same as 66100 except with 1/4" NPT center back connection.

#### Model 66111

Same as 66100 except registers to 5000 psi.

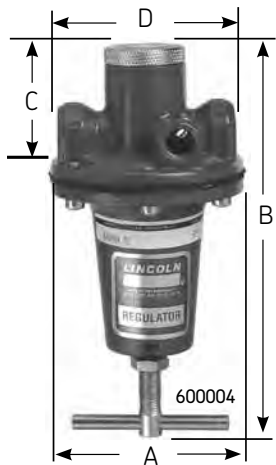


### Air Line Equipment Accessories—Pressure Gauges

Available in 1/8" NPT and 1/4" NPT back connection.

| Model  | For Regulator Sizes | Gauge Dia. | Connection | Pressure Range     |
|--------|---------------------|------------|------------|--------------------|
| 247843 | 1/4" and 3/8"       | 1-1/2"     | 1/8" NPT   | 0 to 160 / 0 to 11 |
| 247844 | 1/2", 3/4" and 1"   | 2"         | 1/4" NPT   |                    |
| 247863 |                     |            |            | 0 to 300 / 0 to 20 |

# Regulators, Filters and Lubricators



## Regulators

Die-cast zinc construction with stainless steel strainer and renewable brass seat. Diaphragm and disc are oil-resistant Buna-N. Secondary pressure side gauge connections are 1/4" NPTF and are sealed with removable pipe plugs. Maximum supply pressure is 300 psi (20 bar) for all sizes listed. Operating range 0-250 psi (0-17 bar). Operating temperature range: 40°-120°F (4°-49°C).

| Model  | Pipe Size inches | A in. (mm)    | B in. (mm) | C in. (mm) | D in. (mm)  | Weight lbs. / kg |
|--------|------------------|---------------|------------|------------|-------------|------------------|
| 600004 | 1/4              | 3 (75)        | 6 (150)    | 1-3/8 (35) | 2-3/8 (70)  | 1.8 (0.8)        |
| 600006 | 3/8              | 3 (75)        | 6 (150)    | 1-3/8 (35) | 2-3/8 (70)  | 1.8 (0.8)        |
| 600008 | 1/2              | 3-9/16 (90)   | 7 (175)    | 1-1/2 (38) | 3-1/4 (79)  | 2.8 (1.3)        |
| 600012 | 3/4              | 4-11/16 (119) | 10 (254)   | 1-7/8 (48) | 4-3/8 (111) | 6.2 (2.8)        |
| 600016 | 1                | 4-11/16 (119) | 10 (254)   | 1-7/8 (48) | 4-3/8 (111) | 6.2 (2.8)        |



## 82413 Control Assembly

Includes 66100 Gauge and 600004 Regulator. Inlet and outlet 1/4" NPTF.

## Filters

Construction of die-cast zinc with 40 micron filter element of porous bronze. Metal bowl with sight glass. Maximum supply pressure 250 psi (17 bar). Maximum temperature 150°F (65°C).



| Model  | Pipe Size in. | Capacity oz (cc) | A in. (mm)   | B in. (mm)  | C in. (mm)  | D in. (mm)   | Weight lbs. / kg |
|--------|---------------|------------------|--------------|-------------|-------------|--------------|------------------|
| 600104 | 1/4           | 5 (148)          | 2-15/16 (75) | 5-5/8 (143) | 5-1/8 (130) | 2-1/2 (64)   | 1.8 (0.8)        |
| 600106 | 3/8           | 5 (148)          | 2-15/16 (75) | 5-5/8 (143) | 5-1/8 (130) | 2-1/2 (64)   | 1.8 (0.8)        |
| 600108 | 1/2           | 8 (237)          | 3-3/4 (95)   | 6-1/4 (159) | 5-5/8 (143) | 3-1/4 (83)   | 2.8 (1.3)        |
| 600112 | 3/4           | 16 (473)         | 4-7/8 (124)  | 8-3/4 (222) | 7-3/4 (197) | 4-9/16 (116) | 6.3 (2.9)        |
| 600116 | 1             | 16 (473)         | 4-7/8 (124)  | 8-3/4 (222) | 7-3/4 (197) | 4-9/16 (116) | 6.3 (2.9)        |



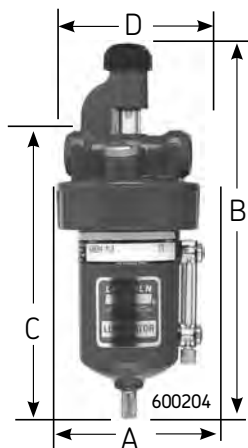
## 600301 Automatic Drain Conversion Kit

Converts manual drain filter to automatic drain. Increases filter efficiency and eliminates problem of manual draining.

## Lubricators

Constructed of die-cast zinc. Metal bowl with sight glass. Maximum supply pressure 250 psi (17 bar). Maximum temperature 150°F (65°C). Oil viscosity maximum not over 800 S.S.U. (SAE 30, not under 85°F/29°C).

Note: Oil adjustment may be made tamper-proof by removing "Dial Set" knob on all models. All sizes may be filled while under pressure.



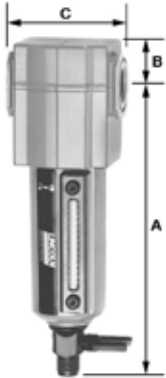
| Model  | Pipe Size in. | Capacity oz (cc) | A in. (mm)   | B in. (mm)   | C in. (mm)  | D in. (mm)   | Weight lbs. / kg |
|--------|---------------|------------------|--------------|--------------|-------------|--------------|------------------|
| 600204 | 1/4           | 5 (148)          | 2-15/16 (75) | 7-5/8 (194)  | 5-5/8 (143) | 2-1/2 (64)   | 2.2 (1)          |
| 600206 | 3/8           | 5 (148)          | 2-15/16 (75) | 7-5/8 (194)  | 5-5/8 (143) | 2-1/2 (64)   | 2.2 (1)          |
| 600208 | 1/2           | 8 (237)          | 3-3/4 (95)   | 8-1/8 (206)  | 5-1/4 (146) | 3-1/4 (83)   | 3.3 (1.5)        |
| 600212 | 3/4           | 16 (473)         | 4-7/8 (124)  | 10-1/2 (267) | 7-7/8 (200) | 4-9/16 (116) | 4.2 (1.9)        |
| 600216 | 1             | 16 (473)         | 4-7/8 (124)  | 10-1/2 (267) | 7-7/8 (200) | 4-9/16 (116) | 4.2 (1.9)        |



# AirCare™ Air Preparation Systems

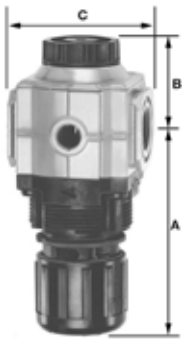
## Lincoln's MODULAR AirCare™ Regulators, Filters and Lubricators

- Modular components snap into place for quick assembly and service
- Wide selection of sizes, styles and capacities to meet specific application requirements



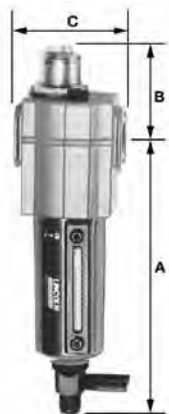
### Modular Air Line Filters

| Model No. | Max. Air Supply psi / bar | Operating Temperature Range - F / C | Material of Construction |           | Element                |               |
|-----------|---------------------------|-------------------------------------|--------------------------|-----------|------------------------|---------------|
|           |                           |                                     | Body                     | Bowl      | Material               | Particle Size |
| 602104    | 250 / 17                  | 0 to 150 / -18 to 65                | Zinc                     | Zinc*     | Sintered Polypropylene | 40µ           |
| 602106    |                           |                                     |                          |           |                        |               |
| 602108    |                           | 0 to 175                            | Aluminum                 | Aluminum* |                        |               |
| 602109    |                           |                                     |                          |           |                        |               |



### Modular Air Line Regulators

| Model No. | Max. Air Supply psi / bar | Operating Temperature Range | Material of Construction |          |               |             | Secondary (Gauge) Connections - in. |
|-----------|---------------------------|-----------------------------|--------------------------|----------|---------------|-------------|-------------------------------------|
|           |                           |                             | Body                     | Bonnet   | Valve Seals   | Bottom Plug |                                     |
| 602004    | 300 / 20                  | 0° to 150°F / -18° to 65°C  | Zinc                     | Acetal   | Brass Nitrile | Acetal      | 1/8 NPT (F)                         |
| 602005    |                           |                             |                          |          |               |             |                                     |
| 602006    |                           | 0° to 175°F / -18° to 79°C  | Aluminum                 | Aluminum |               |             |                                     |
| 602007    |                           |                             |                          |          |               |             |                                     |
| 602008    |                           |                             |                          |          |               |             |                                     |
| 602009    |                           |                             |                          |          |               | 1/4 NPT (F) |                                     |



### Modular Air Line Lubricators

| Model No. | Max. Air Supply psi / bar | Operating Temperature Range - F / C | Material of Construction |           |                 | Recommended Lubricants                                             |
|-----------|---------------------------|-------------------------------------|--------------------------|-----------|-----------------|--------------------------------------------------------------------|
|           |                           |                                     | Body                     | Bowl      | Sight feed Dome |                                                                    |
| 602204    | 250 / 17.2                | 0 to 150 / -18 to 65                | Zinc                     | Zinc      | Transp. Nylon   | Misting type oil 50 to 200 SSU (ISO Grade 7 to 46) at 100°F (38°C) |
| 602206    |                           |                                     |                          |           |                 |                                                                    |
| 602208    |                           | 0 to 175 / -18 to 79                | Aluminum                 | Aluminum* |                 |                                                                    |

\* Transparent nylon liquid level indicator lens.



### Integrated/Modular Filter/Regulator with Gauge

Can be used with other AirCare Modular Components.

| Model No. | Max. Air Supply psi / bar | Operating Temperature Range - F / C | Element Particle Size | Outlet Pressure Adj. Range psi/bar |
|-----------|---------------------------|-------------------------------------|-----------------------|------------------------------------|
| 602134    | 250 / 17                  | 0 to 150 / -18 to 65                | 40µ                   | 5 to 150 / 0.3 to 10               |
| 602136    |                           |                                     |                       |                                    |
| 602138    |                           | 0.3 to 10 / -18 to 79               |                       |                                    |

# AirCare™ Air Preparation Systems

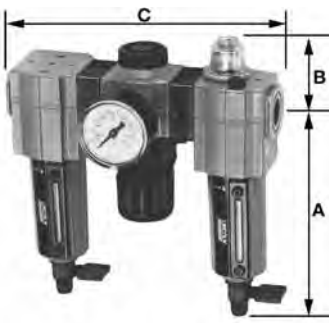
| Model No. | Drain Type | Port Size PTF | Dimensions - in. / mm |           |           |           | Weight lbs. / kg |
|-----------|------------|---------------|-----------------------|-----------|-----------|-----------|------------------|
|           |            |               | A                     | B         | C         | Dia.      |                  |
| 602104    | Manual     | 1/4           | 5.27 / 134            | 0.75 / 19 | 1.98 / 50 | 1.91 / 48 | 1.1 / 0.5        |
| 602106    |            | 3/8           |                       |           |           |           |                  |
| 602108    | Automatic  | 1/2           | 6.95 / 177            | 1.00 / 25 | 3.15 / 80 | 2.89 / 74 |                  |
| 602109    |            |               | 6.35 / 161            |           |           |           |                  |

| Model No. | Outlet Pressure Adj. Range psi/bar | Connections NPT-Female in. | Dimension - in. / mm |           |           |           | Adjuster | Weight      |
|-----------|------------------------------------|----------------------------|----------------------|-----------|-----------|-----------|----------|-------------|
|           |                                    |                            | A                    | B         | C         | D         |          |             |
| 602004    | 5 to 150 / 0.3 to 4                | 1/4                        | 4.0 / 102            | 1.31 / 33 | 2.0 / 50  | 3.2 / 83  | T-Handle | 0.8 / 0.4   |
| 602005    |                                    |                            | 2.88 / 73            |           |           |           | Knob     |             |
| 602006    |                                    | 3/8                        | 4.0 / 102            |           |           |           | T-Handle |             |
| 602007    |                                    |                            | 2.88 / 73            |           |           |           | Knob     |             |
| 602008    | 10 to 250 / 0.7 to 16              | 1/2                        | 5.95 / 151           | 1.69 / 43 | 3.15 / 80 | 5.1 / 130 | T-Handle | 1.77 / 0.80 |
| 602009    | 5 to 150 / 0.3 to 4                |                            | 5.0 / 127            |           |           |           | Knob     |             |

| Model No. | Connections NPT-Female | Bowl Capacity ozs. / ml | Dimension - in. / mm |           |           |           | Weight lbs. / kg |
|-----------|------------------------|-------------------------|----------------------|-----------|-----------|-----------|------------------|
|           |                        |                         | A                    | B         | C         | D         |                  |
| 602204    | 1/4                    | 2.0 / 58                | 5.27 / 134           | 1.63 / 41 | 1.98 / 50 | 1.91 / 48 | 1.1 / 0.5        |
| 602206    | 3/8                    |                         |                      |           |           |           |                  |
| 602208    | 1/2                    | 7.0 / 207               | 6.95 / 177           | 2.12 / 53 | 3.15 / 80 | 2.89 / 74 | 1.6 / 0.7        |

| Model No. | Drain Type | Port Size PTF | Dimension - in. / mm |            |           |            | Weight lbs. / kg |
|-----------|------------|---------------|----------------------|------------|-----------|------------|------------------|
|           |            |               | A                    | B          | C         | D          |                  |
| 602134    | Manual     | 1/4           | 5.27 / 134           | 2.89 / 73  | 1.98 / 50 | 3.29 / 83  | 1.2 / 0.5        |
| 602136    |            | 3/8           |                      |            |           |            |                  |
| 602138    |            | 1/2           | 6.95 / 177           | 4.98 / 127 | 3.15 / 80 | 5.10 / 130 |                  |

# AirCare™ Air Preparation Systems



## Modular Air Line Combination Units

Filter-Regulator with Gauge-Lubricator

| Model No. | Max. Air Supply psi / bar | Operating Temperature Range - F / C | Element Particle Size | Outlet Pressure Adj. Range psi/bar | Lubricator Bowl Capacity ozs. / ml |
|-----------|---------------------------|-------------------------------------|-----------------------|------------------------------------|------------------------------------|
| 85387-4   | 250 / 17                  | 0 to 150 / -18 to 65                | 40μ                   | 5 to 150 / 0.3 to 10               | 2.0 / 58                           |
| 85387-6   |                           | 0 to 175 / -18 to 79                |                       |                                    | 7.0 / 207                          |
| 85387-8   |                           |                                     |                       |                                    |                                    |

\* Transparent nylon liquid level indicator lens.



## Modular Air Line Combination Units

Filter-Regulator with Gauge

| Model No. | Max. Air Supply psi/bar | Operating Temperature Range - F / C | Element Particle Size | Outlet Pressure Adj. Range psi/bar |
|-----------|-------------------------|-------------------------------------|-----------------------|------------------------------------|
| 85388-4   | 250 / 17                | 0° to 150°F / -18° to 65°C          | 40μ                   | 5 to 150 / 0.3 to 10               |
| 85388-8   |                         | 0° to 175°F / -18° to 79°C          |                       |                                    |

\* Transparent nylon liquid level indicator lens.



## Modular Air Line Combination Units

Filter-Lubricator

| Model No. | Max. Air Supply psi / bar | Operating Temperature Range - F / C | Element Particle Size | Lubricator Bowl Capacity ozs. / ml |
|-----------|---------------------------|-------------------------------------|-----------------------|------------------------------------|
| 85389-8   | 250 / 17.2                | 0 to 175 / -18 to 79                | 40μ                   | 7.0 / 207                          |

\* Transparent nylon liquid level indicator lens.



## High-Capacity Air Line Filters

| Model No. | Max. Air Supply psi/bar | Operating Temperature Range - F / C | Material of Construction |                                | Element         |               |
|-----------|-------------------------|-------------------------------------|--------------------------|--------------------------------|-----------------|---------------|
|           |                         |                                     | Body                     | Bowl                           | Material        | Particle Size |
| 602112    | 250 / 17.2              | 0 to 175 / -18 to 79                | Aluminum                 | Aluminum* w/ Pyrex sight glass | Sintered Bronze | 50μ           |
| 602113    |                         |                                     |                          |                                |                 |               |
| 602116    |                         |                                     |                          |                                |                 |               |
| 602117    |                         |                                     |                          |                                |                 |               |

\* Pyrex liquid level indicator.

# AirCare™ Air Preparation Systems

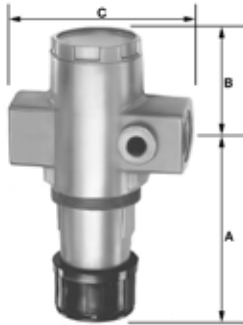
| Model No. | Drain Type | Port Size PTF | Dimension - in. / mm |           |             | Weight lbs. / kg |
|-----------|------------|---------------|----------------------|-----------|-------------|------------------|
|           |            |               | A                    | B         | C           |                  |
| 85387-4   | Manual     | 1/4           | 5.27 / 134           | 1.63 / 41 | 6.46 / 164  | 3.3 / 1.5        |
| 85387-6   |            | 3/8           |                      |           |             |                  |
| 85387-8   |            | 1/2           | 6.95 / 177           | 2.12 / 53 | 10.52 / 267 |                  |

| Model No. | Drain Type | Port Size PTF | Dimension - in. / mm |           |            | Weight lbs. / kg |
|-----------|------------|---------------|----------------------|-----------|------------|------------------|
|           |            |               | A                    | B         | C          |                  |
| 85388-4   | Manual     | 1/4           | 5.27 / 134           | 1.31 / 33 | 4.22 / 108 | 2.0 / 1.0        |
| 85388-8   |            | 1/2           | 6.95 / 177           | 1.69 / 43 | 6.84 / 174 | 4.2 / 2.0        |

| Model No. | Drain Type | Port Size PTF | Dimension - in. / mm |           |            | Weight lbs. / kg |
|-----------|------------|---------------|----------------------|-----------|------------|------------------|
|           |            |               | A                    | B         | C          |                  |
| 85389-8   | Manual     | 1/2           | 6.95 / 177           | 2.12 / 53 | 6.84 / 174 | 3.8 / 1.7        |

| Model No. | Drain Type | Port Size PTF | Dimensions - in. / mm |           |            |            | Weight lbs. / kg |
|-----------|------------|---------------|-----------------------|-----------|------------|------------|------------------|
|           |            |               | A                     | B         | C          | Dia.       |                  |
| 602112    | Manual     | 3/4           | 10.44 / 265           | 1.25 / 32 | 4.75 / 121 | 5.52 / 140 | 4.1 / 1.9        |
| 602113    | Automatic  |               | 10.06 / 256           |           |            |            |                  |
| 602116    | Manual     | 1             | 10.44 / 265           |           |            |            |                  |
| 602117    | Automatic  |               | 10.06 / 256           |           |            |            |                  |

# AirCare™ Air Preparation Systems



## High-Capacity Air Line Regulators

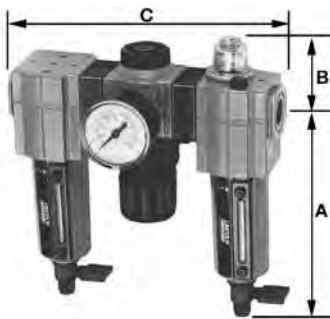
| Model No. | Max. Air Supply psi / bar | Operating Temperature Range | Material of Construction |          |                    |             | Secondary (Gauge) Connections in. |
|-----------|---------------------------|-----------------------------|--------------------------|----------|--------------------|-------------|-----------------------------------|
|           |                           |                             | Body                     | Bonnet   | Valve Seals        | Bottom Plug |                                   |
| 602012    | 300 / 20                  | 0 to 175 / -18 to 79        | Aluminum                 | Aluminum | Aluminum / Nitrile | Aluminum    | 1/4 NPT (F)                       |
| 602013    |                           |                             |                          |          |                    |             |                                   |
| 602016    |                           |                             |                          |          |                    |             |                                   |



## High-Capacity Air Line Lubricators

| Model No. | Max. Air Supply psi/bar | Operating Temperature Range - F / C | Material of Construction |           |                 | Recommended Lubricants                                             |
|-----------|-------------------------|-------------------------------------|--------------------------|-----------|-----------------|--------------------------------------------------------------------|
|           |                         |                                     | Body                     | Bowl      | Sight feed Dome |                                                                    |
| 602212    | 250 / 17.2              | 0 to 175 / -18 to 9                 | Aluminum                 | Aluminum* | Transp. Nylon   | Misting type oil 50 to 200 SSU (ISO Grade 7 to 46) at 100°F (38°C) |
| 602216    |                         |                                     |                          |           |                 |                                                                    |

\* Pyrex liquid level indicator.



## High-Capacity Air Line Combination Units

High Capacity Filter-Regulator with Gauge-Lubricator

| Model No. | Max. Air Supply psi/bar | Operating Temperature Range - F / C | Element Particle Size | Outlet Pressure Adj. Range psi/bar | Lubricator Bowl Capacity ozs. / ml |
|-----------|-------------------------|-------------------------------------|-----------------------|------------------------------------|------------------------------------|
| 85387-12  | 250 / 17                | 0 to 175 / -18 to 79                | 50μ                   | 5 to 125 / 0.3 to 8.6              | 32 / 946                           |
| 85387-16  |                         |                                     |                       |                                    |                                    |

\* Pyrex liquid level indicator.



## High-Capacity Air Line Combination Units

Filter-Regulator with Gauge

| Model No. | Max. Air Supply psi/bar | Operating Temperature Range - F / C | Element Particle Size | Outlet Pressure Adj. Range psi/bar |
|-----------|-------------------------|-------------------------------------|-----------------------|------------------------------------|
| 85388-12  | 250 / 17                | 0 to 175 / -18 to 79                | 50μ                   | 5 to 125 / 0.3 to 8.6              |

\* Pyrex liquid level indicator.



## High-Capacity Air Line Combination Units

Filter-Lubricator

| Model No. | Max. Air Supply psi / bar | Operating Temperature Range - F / C | Element Particle Size | Lubricator Bowl Capacity ozs. / ml |
|-----------|---------------------------|-------------------------------------|-----------------------|------------------------------------|
| 85389-12  | 250 / 17                  | 0 to 175 / -18 to 79                | 50μ                   | 32 / 946                           |
| 85389-16  |                           |                                     |                       |                                    |

\* Pyrex liquid level indicator.

# AirCare™ Air Preparation Systems

| Model No. | Outlet Pressure Adj. Range psi/bar | Connections NPT-Female in. | Dimensions - in. / mm |          |          |         | Adjuster | Weight    |
|-----------|------------------------------------|----------------------------|-----------------------|----------|----------|---------|----------|-----------|
|           |                                    |                            | A                     | B        | C        | D       |          |           |
| 602012    | 10 to 250 / 0.7 to 16              | 3/4                        | 5.69/145              | 2.38/60  | 4.25/108 | 2.38/60 | T-Handle | 2.5 / 1.1 |
| 602013    | 5 to 150 / 0.3 to 10               |                            | 4.71/120              |          |          |         | Knob     |           |
| 602016    | 10 to 250 / 0.7 to 16              | 1                          | 5.69/145              | T-Handle |          |         |          |           |

| Model No. | Connections NPT-Female in. | Bowl Capacity ozs. / ml | Dimension - in. / mm |           |            |            | Weight lbs. / kg |
|-----------|----------------------------|-------------------------|----------------------|-----------|------------|------------|------------------|
|           |                            |                         | A                    | B         | C          | D          |                  |
| 602212    | 3/4                        | 32 / 946                | 10.24 / 260          | 2.22 / 56 | 4.50 / 114 | 5.52 / 140 | 3.6 / 1.6        |
| 602216    | 1                          |                         |                      |           |            |            |                  |

| Model No. | Drain Type | Port Size PTF | Dimension - in. / mm |           |             | Weight lbs. / kg |
|-----------|------------|---------------|----------------------|-----------|-------------|------------------|
|           |            |               | A                    | B         | C           |                  |
| 85387-12  | Manual     | 3/4           | 10.44 / 265          | 2.22 / 56 | 14.75 / 375 | 10.6 / 4.8       |
| 85387-16  |            | 1             |                      |           |             |                  |

| Model No. | Drain Type | Port Size PTF | Dimension - in. / mm |           |          |            | Weight lbs. / kg |
|-----------|------------|---------------|----------------------|-----------|----------|------------|------------------|
|           |            |               | A                    | B         | C        | D          |                  |
| 85388-12  | Manual     | 3/4           | 10.44 / 265          | 2.38 / 60 | 10 / 254 | 5.52 / 140 | 6.9 / 3.1        |

| Model No. | Drain Type | Port Size PTF | Dimension - in. / mm |           |             |            | Weight lbs. / kg |
|-----------|------------|---------------|----------------------|-----------|-------------|------------|------------------|
|           |            |               | A                    | B         | C           | D          |                  |
| 85389-12  | Manual     | 3/4           | 10.44 / 265          | 2.22 / 56 | 10.25 / 260 | 5.52 / 140 | 7.8 / 3.5        |
| 85389-16  |            | 1             |                      |           |             |            |                  |

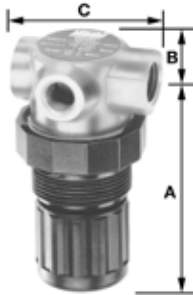


# AirCare™ Air Preparation Systems



## Miniature Air Line Components—Air Line Filter

| Model No. | Max. Air Supply psi / bar | Operating Temperature Range - F / C | Material of Construction |               | Element              |               |
|-----------|---------------------------|-------------------------------------|--------------------------|---------------|----------------------|---------------|
|           |                           |                                     | Body                     | Bowl          | Material             | Particle Size |
| 602103    | 150 / 10.3                | 0 to 125 / -18 to 79                | Zinc                     | Polycarbonate | Porous Polypropylene | 50μ           |



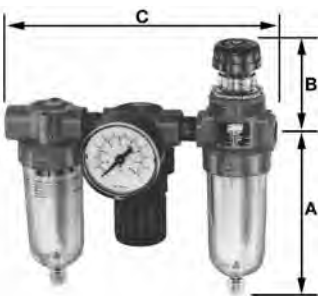
## Miniature Air Line Components—Air Line Regulator

| Model No. | Max. Air Supply psi/bar | Operating Temperature Range: | Material of Construction |        |                |             | Secondary (Gauge) Connections - in. |
|-----------|-------------------------|------------------------------|--------------------------|--------|----------------|-------------|-------------------------------------|
|           |                         |                              | Body                     | Bonnet | Valve Seals    | Bottom Plug |                                     |
| 602003    | 300 / 20                | 0° to 150°F / -18° to 65°C   | Zinc                     | Acetal | Brass/ Nitrile | Acetal      | 1/8 NPT (F)                         |



## Miniature Air Line Components—Air Line Lubricator

| Model No. | Max. Air Supply psi/bar | Operating Temperature Range - F / C | Material of Construction |               |                 | Recommended Lubricants                                             |
|-----------|-------------------------|-------------------------------------|--------------------------|---------------|-----------------|--------------------------------------------------------------------|
|           |                         |                                     | Body                     | Bowl          | Sight feed Dome |                                                                    |
| 602203    | 150 / 10.3              | 0 to 125 / -18 to 52                | Aluminum                 | Polycarbonate | Transp. Nylon   | Misting type oil 50 to 200 SSU (ISO Grade 7 to 46) at 100°F (38°C) |



## Miniature Air Line Combination Units

Filter-Regulator with Gauge-Lubricator

| Model No. | Max. Air Supply psi / bar | Operating Temperature Range - F / C | Element Particle Size | Outlet Pressure Adj. Range psi/bar | Lubricator Bowl Capacity ozs. / ml |
|-----------|---------------------------|-------------------------------------|-----------------------|------------------------------------|------------------------------------|
| 85672     | 150 / 10.3                | 0 to 150 / -18 to 65                | 50μ                   | 5 to 100 / 0.3 to 6.9              | 1.0 / 30                           |



## Miniature Air Line Combination Units

Filter-Lubricator

| Model No. | Max. Air Supply psi/bar | Operating Temperature Range - F / C | Element Particle Size | Lubricator Bowl Capacity ozs. / ml |
|-----------|-------------------------|-------------------------------------|-----------------------|------------------------------------|
| 85674     | 150 / 10.3              | 0 to 125 / -18 to 52                | 5μ                    | 1.0 / 30                           |

# AirCare™ Air Preparation Systems

| Model No. | Drain Type | Port Size PTF | Dimensions - in. / mm |           |           |           | Weight lbs. / kg |
|-----------|------------|---------------|-----------------------|-----------|-----------|-----------|------------------|
|           |            |               | A                     | B         | C         | Dia.      |                  |
| 602103    | Manual     | 1/4           | 3.25 / 83             | 0.38 / 10 | 1.63 / 42 | 1.45 / 37 | 1.1 / 0.12       |

| Model No. | Outlet Pressure Adj. Range psi/bar | Connections NPT-Female in. | Adjuster | Weight lbs. / kg | Dimensions - in. / mm |           |           |           |
|-----------|------------------------------------|----------------------------|----------|------------------|-----------------------|-----------|-----------|-----------|
|           |                                    |                            |          |                  | A                     | B         | C         | D         |
| 602003    | 5 to 100 / 0.3 to 6.9              | 1/4                        | Knob     | 0.3 / 0.13       | 2.52 / 64             | 0.39 / 10 | 1.63 / 41 | 1.45 / 37 |

| Model No. | Connections NPT-Female in. | Bowl Capacity ozs. / ml | Dimension - in. / mm |           |           |           | Weight lbs. / kg |
|-----------|----------------------------|-------------------------|----------------------|-----------|-----------|-----------|------------------|
|           |                            |                         | A                    | B         | C         | Dia.      |                  |
| 602203    | 1/4                        | 1.0 / 30                | 3.25 / 83            | 1.98 / 50 | 1.63 / 41 | 1.45 / 37 | 0.3 / 0.13       |

| Model No. | Drain Type | Port Size PTF | Dimension - in. / mm |           |            |           | Weight lbs. / kg |
|-----------|------------|---------------|----------------------|-----------|------------|-----------|------------------|
|           |            |               | A                    | B         | C          | Dia.      |                  |
| 85672     | Manual     | 1/4           | 3.25 / 83            | 1.98 / 50 | 5.61 / 143 | 1.45 / 37 | 1.3 / 0.6        |

| Model No. | Drain Type | Port Size PTF | Dimension - in. / mm |           |           |           | Weight lbs. / kg |
|-----------|------------|---------------|----------------------|-----------|-----------|-----------|------------------|
|           |            |               | A                    | B         | C         | Dia.      |                  |
| 85674     | Manual     | 1/4           | 3.25 / 83            | 1.98 / 50 | 3.66 / 93 | 1.45 / 37 | 0.9 / 0.4        |

# AirCare™ Air Preparation Systems



## Modular Air Line Equipment Accessories—Lockout Valve

Install in-line or modular with other AirCare products to help conform to OSHA Lockout Regulations. In the closed position, valves block inlet air flow and exhaust downstream air.

| Model  | For Modular use with | For In-Line use with | Max. Air Supply psi / bar | Operating Temperature Range |
|--------|----------------------|----------------------|---------------------------|-----------------------------|
| 247770 | 1/4" Modular         | 1/4"                 | 250 / 17                  | 0 to 150 / -20 to 65        |
| 247771 | 3/8" Modular         | 3/8"                 |                           |                             |
| 247772 | 1/2" Modular         | 1/2"                 |                           |                             |



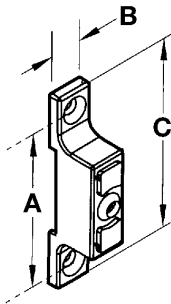
## Modular Air Line Equipment Accessories—Quick Clamp

Use with Modular Air Line Components to provide modular installation capability. Flanges on the products slide into "V" grooves in the quick clamp. Two face-sealing o-rings in the quick clamp provide an air tight connection when the clamp is closed.

| Model  | For Modular Sizes | Dimensions - in. / mm A |
|--------|-------------------|-------------------------|
| 247782 | 1/4" and 3/8"     | 1.50 / 38               |
| 247783 | 1/2" and 3/4"     | 2.00 / 51               |

## Modular Air Line Equipment Accessories—Quick Clamp Wall Mounting Bracket

Use with quick clamp to provide secure mounting to a wall, machine panel or other flat surface.



| Model  | For Modular Sizes | Dimensions - in. / mm |           |           |
|--------|-------------------|-----------------------|-----------|-----------|
|        |                   | A                     | B         | C         |
| 247792 | 1/4" and 3/8"     | 2.32 / 59             | 0.55 / 14 | 2.91 / 74 |
| 247793 | 1/2" and 3/4"     | 3.25 / 83             | 0.95 / 24 | 4.0 / 102 |

## Modular Air Line Equipment Accessories—Quick Mount Pipe Adapters

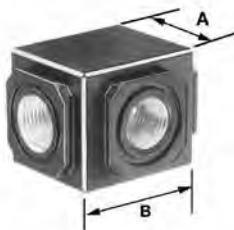
Use with quick clamp to provide threaded connections to the system piping.



| Model No. | For Modular use with  | Port Size - in. |
|-----------|-----------------------|-----------------|
| 247787    | 3/8" Modular          | 3/8             |
| 247789    | 1/2" and 3/4" Modular | 3/8             |
| 247791    |                       | 3/4             |

## Modular Air Line Equipment Accessories—Manifold Block

Installs with quick clamps. Ports are threaded pipe to provide manifolding capability for up to three components.



| Model No. | Port Size - in. | For Modular Sizes | Dimensions-in. / mm |           |
|-----------|-----------------|-------------------|---------------------|-----------|
|           |                 |                   | A                   | B         |
| 247795    | 3/4             | 1/2" and 3/4"     | 2.27 / 57.8         | 3.15 / 80 |

# AirCare™ Air Preparation Systems



## Modular Air Line Equipment Accessories—Pressure Switch

Monitors air pressure and provides an electrical signal when the pressure drops below or exceeds the preset pressure. Installs between two quick clamps. Also provides three additional 1/4" auxiliary outlets.

| Model No. | For Modular Sizes | Maximum Inlet Pressure psi / bar | Operating Temperature Range - F / C | Adjustment Range    |
|-----------|-------------------|----------------------------------|-------------------------------------|---------------------|
| 247797    | 1/2" and 3/4"     | 250 / 17                         | 0 to 150 / -20 to 65                | 30 to 150 / 2 to 10 |



## Modular Air Line Equipment Accessories—Tamper Resistant Cover & Seal Wire

Install on the adjusting knob of regulators to help prevent unauthorized adjustment of the pressure setting.

| Model No. | For Modular Sizes |
|-----------|-------------------|
| 247778    | 1/2" and 3/4"     |



## Modular Air Line Equipment Accessories—Wall Mount Bracket

Use to secure Modular Air Line components to a wall, machine panel or other flat surface.

| Model No. | For Modular Sizes |
|-----------|-------------------|
| 247775    | 1/4" and 3/8"     |
| 247776    | 1/2" and 3/4"     |



## Air Line Equipment Accessories—Mounting Bracket and Nut-Miniature

Use to secure Miniature Air Line components to a wall, machine panel or other flat surface.

| Model No. | Component                      |
|-----------|--------------------------------|
| 247774    | All Regulators and Lubricators |



## Air Line Equipment Accessories—Pressure Gauges

Available in 1/8" NPT and 1/4" NPT back connection.

| Model No. | For Regulator Sizes | Gauge Diameter | Connection | Pressure Range              |
|-----------|---------------------|----------------|------------|-----------------------------|
| 247843    | 1/4" and 3/8"       | 1-1/2"         | 1/8" NPT   | 0 to 160 psig / 0 to 11     |
| 247844    | 1/2", 3/4" and 1"   | 2"             | 1/4" NPT   | 0 to 160 psig / 0 to 11     |
| 247863    | 1/2", 3/4" and 1"   |                | 1/4" NPT   | 0 to 300 psig / 0 to 20 bar |

# Guardian Grease Guns

For more than 100 years, service professionals have looked to Lincoln for lubrication equipment designed to meet the demands of day-to-day shop life. In response to overwhelming requests, Lincoln proudly makes its equipment available to those outside the service industry with our Guardian line of lubrication products. Designed for life outside the shop, Guardian brings you a level of performance previously unavailable in over-the-counter lubrication equipment. Every Guardian product is engineered to meet the industry's most exacting standards for reliability and performance. Like all Lincoln products, the Guardian name is your assurance that what you're buying is an extraordinary piece of equipment.



## Grease Guns G100 Lever Action

Features electro-static, corrosion-resistant finish and non-slip knurling for better grip. Steel block head offers protection for hardened steel plunger. Heavy-duty steel barrel for long life. Posi-lock follower rod with T-handle provides sure-handed grip and easy filling at any position. Uses standard 14 oz. grease cartridge.

## G102 “The Bulldog” Premium Lever Action

“The Bulldog” was designed to take punishment! Same as G100 plus filler nipple for 3-way loading; bulk, filler pump or cartridge. Bleeder valve allows purging of air from gun head. Includes sure-handle grip.

## G112/G113 Heavy-Duty Pistol Grip

Die-cast head with 4" rigid pipe extension and coupler (G113 equipped with 18" flex hose extension and coupler). One-hand operation. Uses standard 14 oz. cartridge or can be bulk filled. Features heavy-duty steel barrel, electro-static, corrosion-resistant finish and non-slip knurling. Posi-lock follower rod with T-handle provides sure-handed grip and easy filling at any position.

## G110 Mini Pistol Grip

Zinc die-cast head with 4" rigid pipe extension and coupler. Uses standard 3 oz. grease cartridges. Compact and lightweight, the G110 is the perfect tool for smaller, less frequent lubrication projects.

## G120 Air-Operated Pistol Grip

Ergonomic pistol grip design ensures easy operation. Rugged stainless steel barrel for long life. Handy 3-way loading. 1/4" NPT air inlet. Develops up to 4800 psi operating pressure. Input pressure of 40-120 psi.

## G150 Suction Gun

18 oz. capacity with 12" flex hose. Perfect for draining and filling differentials, clutches, power steering reservoirs and transmissions. Needs no priming. Features heavy-duty steel barrel, electro-static, corrosion-resistant finish and non-slip knurling.

# Guardian Accessories



## Adapters G160 Grease Gun Holder

Holds grease and suction guns with 2-1/2" OD barrel. Mount to any surface.

## G901 4" Needle Nozzle

For those hard-to-reach grease points on farm equipment, 4WDs and other recreational vehicles. Use with hand grease guns only.

## G902 Seal-Off Adapter With Rubber Tip

For use with grease plugs. Use with hand grease guns only. 1/8" NPT(f).

## G903 Needle Nose Adapter

For those hard-to-reach spots. Use with hand grease guns only 1/8" NPT(f).

## Guardian Accessories

G904



### G904 Small 4-Way Grease Fitting Tool

For tap repair of damaged threads (1/4"-28) and removal of broken fittings.

### G905 Large 4-Way Grease Fitting Tool

For tap repair of damaged threads (1/8"-NPT) and removal of broken fittings.

G905

### G906 Grease Gun Pipe

6" extension replacement for grease guns. 1/8" NPT(m) on both ends.

### G907 Grease Gun Filler Nipple

Used to bulk fill grease guns. 1/8" NPT(m) fitting.



G906



G907



G300



G310



G320



G321



G212

G212S

G321

### Hose Extensions

For hand-operated grease guns only. Both ends have 1/8" NPT(m) threads. Working pressure 3500 psi. Burst pressure 14,000 psi.

| Model | Description               | Model | Description               |
|-------|---------------------------|-------|---------------------------|
| G212  | 12" length                | G218  | 18" length                |
| G212S | 12" length w/spring guard | G218S | 18" length w/spring guard |

### Couplers

#### G300 Standard Grease Coupler

For use with most hand-operated grease guns and equipment. 1/8" NPT. Knurled body and mill flats for easy use, installation and removal.

#### G310 Heavy-Duty Grease Coupler

For use with most hand-operated grease guns and equipment. 1/8" NPT. Knurled body. Hex base for proper installation and removal.

#### G320 90° Grease Coupler

Specially designed for later model vehicles with hard-to-reach fittings. Complete with small and large quick-disconnect adapters.

#### G321 360° Grease Coupler

Designed for cars, trucks and equipment with hard-to-reach fittings. Great for front-wheel drive vehicles. 1/8" NPT(f) inlet.

## Guardian Pumps



G400



G401



G402



G404



G410

### G400 Lever-Action Bucket Pump

Fits 5-gallon buckets. Includes pump, 18" drum cover and 4' delivery hose. Perfect for transferring transmission fluid or heavier fluids.

### G401 Lever-Action Barrel Pump

Fits 16- to 55-gallon drums. Delivers 10 oz. per stroke. Includes standard bung bushing. Designed for transfer of petroleum-based, non-corrosive liquids. Rugged, corrosive-resistant finish. Curved metal spout features threads to fit all garden hoses.

### G402 Rotary Barrel Pump

Cast iron pump head for transferring petroleum-based, non-corrosive fluids. Comes with standard bung bushing. Delivers approximately one gallon per 18 revolutions of handle. Great for commercial, automotive, farm and industrial applications.

### G404 Grease Gun Filler Pump

For bulk filling grease gun G102 or any gun using filler nipple G907. Fits 5-gallon buckets. Comes with follower plate, drum cover and filler adapter.

### G410 Plastic Barrel Pump

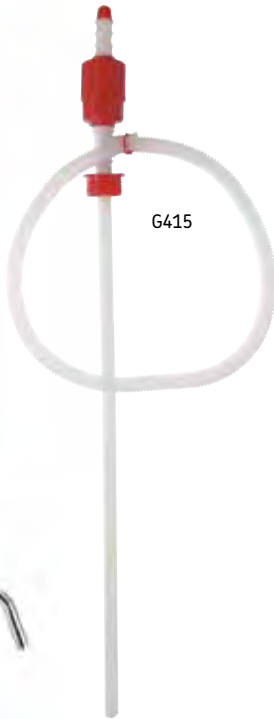
Fits 5-, 6-, 15-, 30- and 55-gallon drums with 3/4" or 2" drum opening. For use with mild chemicals, antifreeze, detergent and petroleum-based products.



# Guardian Pumps



G412



G415



G414



G781

## G412 Plastic Bucket

5-gallon capacity. Dispenses on down stroke. Complete with fixed curved metal spout and bung adapter.

## G414 Lift-Action Steel Piston with Fixed Spout

Zinc-plated steel drum pump for use with non-corrosive liquids. Fits all 2" drum openings on 16- to 55- gallon drums. Features die-cast head and curved metal spout.

## G415 Lightweight Siphon Drum

Fits 55-gallon drums. Easily dispense small amounts of fluid.

## Materials

| Model | Materials (can be pumped)                                                                                                                                                                                                                                                                                                             |
|-------|---------------------------------------------------------------------------------------------------------------------------------------------------------------------------------------------------------------------------------------------------------------------------------------------------------------------------------------|
| G400  | Antifreeze, automotive additives, motor oil, oils (heavy & light), transmission fluid                                                                                                                                                                                                                                                 |
| G401  | Motor oil, oils (heavy & light), heating oil, lacquer thinner, solvents, thinners, transmission fluid                                                                                                                                                                                                                                 |
| G402  | Diesel fuel, heating oil, kerosene, lacquer thinner, motor oil, oils (heavy & light), transmission fluid                                                                                                                                                                                                                              |
| G404  | Grease                                                                                                                                                                                                                                                                                                                                |
| G410  | Acids (weak), alcohols, alkalis (weak), antifreeze, automotive additives, benzene, chloride water, detergents, diesel fuel, disinfectants, fertilizers, herbicides, lacquer thinner, motor oil, oils (light), thinners, transmission fluid                                                                                            |
| G412  | Alcohols, antifreeze, automotive additives, benzene, chloride water, cleaning solutions, diesel fuel, heating oil, kerosene, lacquer thinner, motor oil, oils (heavy & light), petroleum products (other), soaps, solvents, thinners, transmission fluid, water (cold & hot), water-based fluids, waxes                               |
| G414  | wLaacxquesr thinner, motor oil, oils (heavy & light), petroleum products                                                                                                                                                                                                                                                              |
| G415  | Acetone, acids (strong & weak), alkalis (weak), alcohols, antifreeze, automotive additives, benzene, chemicals (aggressive, mild, inorganic), cleaning solutions, corrosive fluids (mild), detergents, diesel fuel, disinfectants, farm chemicals, fertilizer, herbicides, insecticides, motor oil, oils (light), soaps, water (cold) |

## Additional Accessories

### G781 Waste Oil Drain

5-gallon capacity, telescopic drain pan tube.

# Guardian Oil Accessories



G503



G524



G525



G528



G700



G702



G701



G705

## Oiler Cans

Guardian offers oilers in variety of sizes with rigid or flexible spouts to fit your needs.

| Model | Description           |
|-------|-----------------------|
| G502  | 6 oz, rigid spout     |
| G503  | 6 oz, flexible spout  |
| G504  | 12 oz, rigid spout    |
| G507  | 16 oz, flexible spout |

## Flexible Spout Measures

Guardian's flexible spout measures are designed for one-hand operation. Thumb-operated valve controls flow. 14" flexible spout with tapered tip swings into the necessary angle for hard-to-reach spots. Recessed bottom drains fully and guards against puncture. Rolled-edge top helps prevent spilling.

| Model | Description |
|-------|-------------|
| G524  | 4 quarts    |
| G525  | 5 quarts    |
| G528  | 8 quarts    |

## Filter Wrenches

### G700 Heavy-Duty Filter Wrench

With swivel handle For those hard-to-reach filters. Fits standard car and truck filters 3-1/2" to 3-7/8" diameter.

### G701 Heavy-Duty Filter Wrench

With swivel handle For hard-to-reach filters. Fits standard car and truck filters 2-7/8" to 3-3/16" diameter.

### G702 Universal Nylon Strap Filter Wrench

Easily adapts to any spin-on filter up to 6" in diameter. Works with 1/2" drive socket wrench.

### G705 Adjustable Filter Wrench

Adjustable band conforms to filters ranging in size from 2-3/4" to 4" in diameter

# Guardian Grease

## Multi-Purpose Lithium Grease

Heavy-duty, lithium-based grease is great for most agricultural, automotive and industrial applications. Perfect for chassis and U-joints that require frequent regreasing.

| Model | Quantity    | Size   |
|-------|-------------|--------|
| G800  | 2 pack      | 3 oz.  |
| G801  | 4 pack      | 3 oz.  |
| G802  | 1 cartridge | 14 oz. |

## Heavy-Duty Red Farm/Industrial Grease

This durable "red" grease is ideal for high-wear applications. Manufactured to resist rust, oxidation, extreme pressures. Water insoluble.

| Model | Quantity    | Size   |
|-------|-------------|--------|
| G830  | 1 cartridge | 14 oz. |



G802



G800



G721



Grease Fitting Assortment

## Grease Fitting Assortments

Guardian assortments contain the most popular fittings.

### G600 Mini SAE

| Quantity | Description                         |
|----------|-------------------------------------|
| 2        | 1/4"-28 straight short w/ball check |
| 2        | 1/8"-27 straight long w/ball check  |
| 2        | 1/8"-27 45° short w/ball check      |
| 2        | 1/8"-27 90° long w/ball check       |

### G601 Mini Metric

| Quantity | Description      |
|----------|------------------|
| 2        | 6mm x 1 straight |
| 2        | 6mm x 1 45°      |
| 2        | 6mm x 1 90°      |
| 2        | 8mm x 1 straight |

### G620 Deluxe SAE

| Quantity | Description                          |
|----------|--------------------------------------|
| 8        | 1/4"-28, straight short w/ball check |
| 7        | 1/8"-27, straight long w/ball check  |
| 5        | 1/8"-27, 45° short w/ball check      |
| 5        | 1/8"-27, 90° long w/ball check       |
| 3        | 1/4"-28, 90° short w/ball check      |
| 2        | 1/4"-28, 45° short w/ball check      |

## Grease Fittings

Guardian fittings are engineered for automotive, industrial and farm applications.

### Domestic/SAE Fittings

| Quantity | Model       | Description                         |
|----------|-------------|-------------------------------------|
| 10       | <b>G630</b> | 1/4"-28 straight short w/ball check |
| 10       | <b>G631</b> | 1/8"-27 straight long w/ball check  |
| 10       | <b>G632</b> | 1/8"-27 45° short w/ball check      |
| 10       | <b>G633</b> | 1/8"-27 90° long w/ball check       |
| 10       | <b>G634</b> | 1/4"-28, 90° short w/ball check     |
| 10       | <b>G635</b> | 3/16"-drive/ball check              |
| 10       | <b>G636</b> | 1/4"-28, 45° short w/ball check     |

### Metric Fittings

| Quantity | Model       | Description       |
|----------|-------------|-------------------|
| 10       | <b>G640</b> | 6mm x 1, straight |
| 10       | <b>G641</b> | 6mm x 1, 45°      |
| 10       | <b>G642</b> | 6mm x 1, 90°      |
| 10       | <b>G644</b> | 8mm x 1, 45°      |
| 10       | <b>G645</b> | 8mm x 1, 90°      |

## G721 Universal Bearing Packer

Will pack any bearing up to 4-1/2" ID while forcing out old grease. Can be used with any manual grease gun.

# Numerical Index

| Model No. | Page No. | Model No.   | Page No.           | Model No. | Page No.               | Model No. | Page No.       |
|-----------|----------|-------------|--------------------|-----------|------------------------|-----------|----------------|
| AC2400    | 5        | K000055BB   | 29, 30             | 758       | 58                     | 1147      | 8              |
| AC2440    | 5        | K000055DC   | 30                 | 758F      | 58                     | 1148      | 7, 8           |
| G100      | 80       | K000055LB   | 30                 | 769       | 58                     | 1148CLR   | 10             |
| G102      | 80       | K000055LT   | 29, 30             | 774       | 58                     | 1151      | 8              |
| G110      | 80       | K000275BB   | 29                 | 775       | 58                     | 1162      | 6, 9, 11       |
| G112      | 80       | K050120DC   | 22, 23             | 776       | 58                     | 1200      | 4              |
| G113      | 80       | K050120LT   | 22, 23             | 779       | 58                     | 1201      | 4              |
| G120      | 80       | K050400DC   | 22, 23             | 780       | 36, 37, 58             | 1210      | 4              |
| G150      | 80       | K050400LT   | 22, 23             | 799       | 58                     | 1215      | 4              |
| G160      | 80       | K40600SSU   | 29, 30             | 812       | 47, 61                 | 1215A     | 4              |
| G212      | 81       | MV6410      | 36, 37             | 813       | 61                     | 1218      | 4, 11          |
| G212S     | 81       | MV7201      | 45                 | 815       | 21, 24, 32, 33, 36, 38 | 1224      | 4, 11          |
| G300      | 81       | MV7300      | 45                 |           | 39, 49, 62, 63, 64     | 1230      | 3, 4, 6, 9, 11 |
| G310      | 81       | MV7400      | 45                 | 816       | 17                     | 1236      | 2, 4, 11       |
| G320      | 81       | RPM7        | 38                 | 840       | 62                     | 1240      | 4              |
| G321      | 81       | RPM8        | 38                 | 844       | 17                     | 1240CLR   | 10             |
| G400      | 81, 82   | RPM10       | 38                 | 845       | 62                     | 1242      | 4              |
| G401      | 81, 82   | V305016DC   | 29                 | 846       | 49, 62                 | 1244      | 4              |
| G402      | 81, 82   | V305275BB   | 29                 | 857       | 61                     | 1253      | 36, 37         |
| G404      | 81, 82   | V350120DC   | 22                 | 867       | 59                     | 1253LN    | 37             |
| G410      | 81, 82   | V350120HF   | 22                 | 870       | 37, 61                 | 1254      | 36, 37         |
| G412      | 82, 82   | V350120LT   | 22, 23             | 871       | 61                     | 1272      | 27             |
| G414      | 82, 82   | V350400DC   | 22                 | 873       | 61                     | 1275      | 27             |
| G415      | 82, 82   | V350400HF   | 22                 | 876       | 59                     | 1292      | 27             |
| G502      | 83       | V350400LT   | 22                 | 877       | 59                     | 1293      | 36, 37         |
| G503      | 83       | V40600SSU   | 29, 30             | 878       | 59                     | 1296      | 28             |
| G504      | 83       | V41000SSU   | 30                 | 881       | 59                     | 1326      | 40             |
| G507      | 83       | V410055BB   | 30                 | 883       | 59                     | 1335      | 40             |
| G524      | 83       | V410055DC   | 30                 | 899       | 59                     | 1340      | 40             |
| G525      | 83       | V410055LB   | 30                 | 905       | 59                     | 1384      | 41             |
| G528      | 83       | V410055LT   | 29, 30             | 905SF     | 59                     | 1385      | 41             |
| G600      | 84       | V450120DC   | 23                 | 912EF     | 59                     | 1385-H    | 41             |
| G601      | 84       | V450400DC   | 23                 | 912ER     | 59                     | 1387      | 41             |
| G620      | 84       | V450400HF   | 23                 | 917       | 20                     | 1401      | 3, 4           |
| G630      | 84       | V450400HR   | 23                 | 917-57    | 20, 21                 | 1410      | 3, 4           |
| G631      | 84       | V450400LT   | 23                 | 918       | 24                     | 1414      | 4              |
| G632      | 84       | V305000000  | 29                 | 926       | 24                     | 1418      | 24             |
| G633      | 84       | V305005W    | 29                 | 926-1     | 24                     | 1426      | 24             |
| G634      | 84       | V350120000  | 22                 | 939       | 63                     | 1426-1    | 24             |
| G635      | 84       | V350400000  | 22                 | 940       | 62                     | 1440CLR   | 10             |
| G636      | 84       | V406000000  | 29, 30             | 950       | 62                     | 1442      | 3, 4           |
| G640      | 84S      | V406005W    | 30                 | 954       | 59                     | 1444      | 3, 4           |
| G641      | 84       | V410000000  | 29                 | 960       | 62                     | 1716      | 26             |
| G642      | 84       | V410005W    | 30                 | 961       | 61                     | 1801      | 3, 4           |
| G644      | 84       | V450120000  | 23                 | 962       | 61                     | 1815A     | 4              |
| G645      | 84       | V450400000  | 23                 | 963       | 61                     | 1842      | 3, 4           |
| G700      | 83       | V4501200000 | 23                 | 964       | 61                     | 1844      | 3, 4           |
| G701      | 83       | V4504000000 | 23                 | 967       | 38, 59                 | 1850      | 2              |
| G702      | 83       | 224         | 17                 | 980       | 38, 59                 | 1861      | 2, 4           |
| G705      | 83       | 346P        | 20                 | 981       | 59                     | 1862      | 2, 3           |
| G721      | 84       | 500L        | 28                 | 982       | 38, 59                 | 1864      | 2              |
| G781      | 82       | 527         | 36, 37             | 987       | 21                     | 1901      | 35             |
| G800      | 84       | 527A        | 37                 | 989       | 21                     | 1903      | 26             |
| G801      | 84       | 535         | 36, 37             | 1013      | 9                      | 1904      | 26             |
| G802      | 84       | 535LN       | 37                 | 1035      | 9                      | 1908      | 26             |
| G830      | 84       | 535-58      | 37                 | 1037      | 9                      | 1910      | 26             |
| G901      | 80       | 549         | 37                 | 1100CLR   | 10                     | 1914      | 35             |
| G902      | 80       | 549-58      | 37                 | 1107CLR   | 10                     | 1952      | 35             |
| G903      | 80       | 613         | 42, 43             | 1132      | 8                      | 2424      | 33             |
| G904      | 81       | 615         | 8, 45              | 1133      | 8                      | 2435      | 37             |
| G905      | 81       | 674         | 20, 25, 37         | 1134      | 8                      | 2435LN    | 37             |
| G906      | 81       | 712         | 58                 | 1134CLR   | 10                     | 2437      | 33             |
| G907      | 81       | 712F        | 58                 | 1142      | 7, 8                   | 2524      | 33             |
| K00000SSU | 30       | 712R        | 58                 | 1142CLR   | 10                     | 2535      | 36, 37         |
| K000016DC | 29       | 740         | 19, 20, 21, 49, 57 | 1145      | 9                      | 2537      | 33             |

# Numerical Index

| Model No. | Page No. | Model No. | Page No.               | Model No. | Page No.               | Model No. | Page No.               |
|-----------|----------|-----------|------------------------|-----------|------------------------|-----------|------------------------|
| 2740      | 24       | 5182C     | 15                     | 9917      | 19, 22                 | 73060     | 29, 30, 33, 34, 37, 54 |
| 2873      | 37, 61   | 5183      | 15                     | 9917-57   | 19                     | 73120     | 54                     |
| 3029      | 11       | 5183C     | 15                     | 9989      | 19, 22                 | 73240     | 52, 54                 |
| 3034      | 11       | 5184      | 14                     | 10198     | 22, 23, 54             | 73360     | 49, 52, 54             |
| 3050      | 49, 57   | 5185      | 14                     | 10199     | 54                     | 73480     | 52, 54                 |
| 3055      | 11       | 5186      | 14                     | 10200     | 54                     | 73600     | 49, 52, 54             |
| 3056      | 11       | 5190      | 14                     | 10202     | 54                     | 73720     | 49, 54                 |
| 3601      | 44       | 5191      | 14                     | 10204     | 54                     | 73900     | 54                     |
| 3605      | 42, 43   | 5200      | 15                     | 10460     | 12                     | 74024     | 49, 52, 54             |
| 3608      | 43       | 5200C     | 15                     | 10461     | 16                     | 74060     | 54                     |
| 3609      | 42, 43   | 5210      | 15                     | 10462     | 21, 39                 | 74480     | 52, 54                 |
| 3610      | 43       | 5210C     | 15                     | 10522     | 54                     | 74560     | 37                     |
| 3613      | 43       | 5290      | 14                     | 10536     | 12                     | 74600     | 49, 52, 54             |
| 3614      | 43, 44   | 5291      | 14                     | 10787     | 16                     | 74900     | 54                     |
| 3617      | 44       | 5300      | 15                     | 11197     | 54                     | 75024     | 52, 54                 |
| 3618      | 44       | 5300C     | 15                     | 11485     | 16                     | 75060     | 22, 23, 24, 54         |
| 3624      | 44       | 5318      | 15                     | 11509     | 16                     | 75084     | 19, 20, 21, 24, 54     |
| 3643      | 43       | 5350      | 15                     | 11659     | 21, 24, 32, 33, 38     | 75120     | 54                     |
| 3644      | 42, 43   | 5350C     | 15                     | .....     | 39, 49, 62, 63, 64     | 75168     | 54                     |
| 3866      | 59       | 5385      | 15                     | 11660     | 64                     | 75240     | 54                     |
| 3867      | 59       | 5385C     | 15                     | 11661     | 64                     | 75360     | 49, 52, 54             |
| 3868      | 59       | 5400      | 15                     | 11852     | 54                     | 75480     | 52, 54                 |
| 3942      | 59       | 5400C     | 15                     | 12287     | 54                     | 75600     | 49, 52, 54             |
| 4100      | 42, 46   | 5410      | 15                     | 12957     | 54                     | 75912CL   | 11                     |
| 4105      | 46       | 5410C     | 15                     | 13329     | 64                     | 75918CL   | 11                     |
| 4110      | 46       | 5468      | 14                     | 13331     | 64                     | 75924CL   | 11                     |
| 4283      | 38       | 5469      | 14                     | 20026     | 16                     | 75936CL   | 11                     |
| 4417      | 21       | 5470      | 14                     | 20028     | 16                     | 76024A    | 52, 54                 |
| 4459      | 21       | 5490      | 14                     | 20029     | 16                     | 76024B    | 49, 52, 54             |
| 4475      | 39       | 5491      | 14                     | 46007     | 19, 20, 21, 24, 25     | 76120B    | 54                     |
| 4480      | 39       | 5527      | 15                     | .....     | 32                     | 76360B    | 52, 54                 |
| 4489      | 21       | 5527C     | 15                     | 58000     | 13                     | 76600A    | 52, 54                 |
| 4490      | 39       | 5701      | 15                     | 62028     | 13                     | 76600B    | 49, 52, 54             |
| 4491      | 38, 39   | 5701C     | 15                     | 62061     | 13                     | 76900B    | 54                     |
| 4492      | 39       | 5706      | 15                     | 62117     | 13                     | 78600     | 52                     |
| 4493      | 38       | 5706C     | 15                     | 66060     | 25                     | 79060     | 27                     |
| 5000      | 15       | 5803      | 13                     | 66100     | 68, 69                 | 80133     | 28                     |
| 5000C     | 15       | 5805      | 13                     | 66101     | 68                     | 80202     | 22, 23, 24, 25         |
| 5003      | 15       | 5806      | 13                     | 66111     | 68                     | 80423     | 63                     |
| 5003C     | 15       | 5807      | 13                     | 66493     | 42, 46                 | 80599     | 37                     |
| 5010      | 15       | 5812      | 11                     | 66584     | 58                     | 80895     | 19, 20, 25, 37, 42     |
| 5010C     | 15       | 5818      | 11                     | 66764     | 26, 35                 | 80924     | 27                     |
| 5013      | 15       | 5834      | 9, 13, 27              | 66951     | 49, 62, 63             | 80933     | 11, 12, 27             |
| 5013C     | 15       | 5845      | 11, 12, 13, 57         | 66953     | 16                     | 80999     | 37                     |
| 5031      | 15       | 5848      | 12, 13                 | 67171     | 54                     | 81133     | 51                     |
| 5031C     | 15       | 5849      | 13                     | 68410     | 59                     | 81168     | 27                     |
| 5033      | 15       | 5852      | 2, 5, 8, 12, 13, 27    | 68620     | 46                     | 81323     | 51                     |
| 5033C     | 15       | 5852-2    | 12                     | 70526     | 42, 43                 | 81386     | 57                     |
| 5050      | 15       | 5852-5    | 12                     | 71512     | 11                     | 81387     | 19, 20, 21, 49, 57     |
| 5050C     | 15       | 5852-54   | 12                     | 71518     | 8, 11                  | 81412     | 26                     |
| 5175      | 15       | 5853      | 8, 9, 13               | 72024     | 32, 49, 52, 54         | 81458     | 11, 12, 27             |
| 5175C     | 15       | 5855      | 13                     | 72024A    | 29, 30, 52, 54         | 81495     | 57                     |
| 5176      | 15       | 5858      | 11                     | 72036     | 24, 34, 46, 54         | 81523     | 24, 25                 |
| 5176C     | 15       | 5859      | 13                     | 72060     | 33, 34, 54             | 81538     | 26                     |
| 5177      | 15       | 5861      | 11                     | 72120     | 54                     | 81606     | 57                     |
| 5177C     | 15       | 5862      | 64                     | 72240     | 54                     | 81673     | 27                     |
| 5178      | 15       | 5874      | 19, 22, 23, 29, 30, 64 | 72360     | 49, 52, 54             | 81703     | 57                     |
| 5178C     | 15       | 5875      | 19, 22, 23, 29, 30, 64 | 72360A    | 49, 54                 | 81723     | 57                     |
| 5179      | 15       | 5876      | 64                     | 72480A    | 52, 54                 | 81725     | 11                     |
| 5179C     | 15       | 5883      | 12                     | 72600     | 49, 52, 54             | 81726     | 11                     |
| 5180      | 15       | 5884      | 13                     | 72600A    | 49, 52, 54             | 81728     | 57                     |
| 5180C     | 15       | 5980      | 62                     | 72720A    | 49, 54                 | 81729     | 49, 57                 |
| 5181      | 15       | 5983      | 63                     | 72900A    | 54                     | 81768     | 27                     |
| 5181C     | 15       | 5990      | 62                     | 73024     | 29, 30, 32, 49, 52, 54 | 81795     | 11, 13                 |
| 5182      | 15       | 6917      | 20                     | 73036     | 34, 54                 | 81974     | 57                     |

# Numerical Index

| Model No. | Page No.       | Model No. | Page No.                              | Model No. | Page No.       | Model No. | Page No.       |
|-----------|----------------|-----------|---------------------------------------|-----------|----------------|-----------|----------------|
| 81980     | 13             | 84673     | 53                                    | 85792     | 19, 22         | 94274DS   | 49             |
| 82050     | 21, 24         | 84700     | 46                                    | 85799     | 60             | 94300     | 49             |
| 82054     | 24             | 84714     | 42, 46                                | 85806     | 29             | 94334     | 38, 49         |
| 82070     | 58             | 84775     | 19, 21, 25                            | 85807     | 29, 30         | 94354     | 38, 49         |
| 82072     | 57             | 84780     | 17, 19, 21, 22, 23,<br>24, 25, 26, 28 | 85824     | 29, 30, 34     | 94354DS   | 49             |
| 82073     | 57             | 84799     | 59, 60                                | 85826     | 22, 23, 29     | 94364     | 49             |
| 82080     | 57             | 84815     | 46                                    | 85827     | 22, 23, 30     | 94474DS   | 49             |
| 82087     | 57             | 84816     | 46                                    | 85829     | 22             | 94500     | 49             |
| 82157     | 57             | 84817     | 46                                    | 85840     | 23             | 94532     | 49             |
| 82158     | 57             | 84824     | 46                                    | 85935     | 34             | 94532G    | 49             |
| 82206     | 52             | 84826     | 35                                    | 85949     | 29, 32, 33, 34 | 94552     | 49             |
| 82230     | 40             | 84829     | 23, 40                                | 89010     | 53             | 94552G    | 49             |
| 82251     | 57             | 84933     | 32, 33                                | 90464     | 60             | 94553     | 49             |
| 82252     | 57             | 84934     | 32, 33, 38                            | 90656     | 21             | 94553DS   | 49             |
| 82258     | 60             | 84935     | 32, 34                                | 90776     | 16             | 94553H    | 49             |
| 82393     | 57             | 84940     | 32, 34                                | 91024     | 55             | 94673DS   | 49             |
| 82399     | 19, 21, 57     | 84941     | 25, 32, 34                            | 91025     | 55             | 102697    | 17             |
| 82413     | 69             | 84942     | 25, 34                                | 91026     | 55             | 102891    | 17             |
| 82439     | 34, 35         | 84945     | 29, 30, 32, 34, 35                    | 91027     | 56             | 102929    | 17             |
| 82460     | 42             | 84946     | 32, 34, 35                            | 91028     | 56             | 103307E   | 16             |
| 82716     | 21             | 84951     | 47                                    | 91029     | 55             | 103308E   | 16             |
| 82730     | 26, 35         | 85001     | 52                                    | 91030     | 56             | 103309E   | 16             |
| 82757     | 36, 37         | 85002A    | 52                                    | 91031     | 56             | 237105    | 44, 46         |
| 82760     | 8              | 85003-30  | 52                                    | 91032     | 56             | 241408    | 44, 46         |
| 82784     | 13             | 85004     | 52                                    | 91033     | 56             | 241409    | 44, 46         |
| 82786     | 43             | 85004-50  | 52                                    | 91034     | 56             | 241584    | 29, 30, 32, 33 |
| 82790     | 35             | 85005     | 52                                    | 91108     | 8, 28          | 241937    | 40             |
| 82792     | 26             | 85006-30B | 52                                    | 91197     | 42, 43         | 242911    | 60             |
| 82793     | 26             | 85004-50B | 52                                    | 91265     | 37             | 244390    | 42             |
| 82883     | 26             | 85008-50A | 52                                    | 91392     | 60             | 245976    | 12             |
| 82895     | 35             | 85009-50  | 52                                    | 91499     | 21             | 245978    | 12             |
| 82906     | 58             | 85010-50  | 52                                    | 92572     | 46             | 247748    | 42             |
| 82932     | 58             | 85011     | 52                                    | 93547     | 37, 60         | 247770    | 78             |
| 83115     | 23, 29, 30, 32 | 85012     | 52                                    | 93548     | 59, 60         | 247771    | 78             |
| 83131     | 30             | 85021     | 57                                    | 94000     | 38             | 247772    | 78             |
| 83132     | 35             | 85232     | 52                                    | 94000DS   | 49             | 247774    | 79             |
| 83271     | 26             | 85255     | 46                                    | 94100     | 49             | 247775    | 79             |
| 83278     | 13             | 85387-4   | 72, 73                                | 94100M    | 49             | 247776    | 79             |
| 83366     | 24, 25         | 85387-6   | 72, 73                                | 94100DS   | 49             | 247778    | 79             |
| 83369     | 26             | 85387-8   | 72, 73                                | 94200DS   | 49             | 247782    | 78             |
| 83386     | 42, 43         | 85387-12  | 74, 75                                | 94300DS   | 49             | 247783    | 78             |
| 83447     | 24, 33         | 85387-16  | 74, 75                                | 94400DS   | 49             | 247787    | 78             |
| 83463     | 52             | 85388-4   | 72, 73                                | 94500DS   | 49             | 247789    | 78             |
| 83463-30  | 52             | 85388-8   | 72, 73                                | 94600DS   | 49             | 247791    | 78             |
| 83464     | 52             | 85388-12  | 74, 75                                | 94132     | 49             | 247792    | 78             |
| 83464-50  | 52             | 85389-8   | 72, 73                                | 94132A    | 49             | 247793    | 78             |
| 83513     | 21             | 85389-12  | 74, 75                                | 94132W    | 49             | 247795    | 78             |
| 83594     | 57             | 85389-16  | 74, 75                                | 94133     | 49             | 247797    | 79             |
| 83753     | 51             | 85515     | 51, 52                                | 94133A    | 49             | 247843    | 21, 39, 68, 79 |
| 83754     | 51             | 85516     | 51, 52                                | 94133W    | 49             | 247844    | 68, 79         |
| 83938     | 57             | 85517     | 51, 52                                | 94152     | 49             | 247863    | 68, 79         |
| 84122     | 51             | 85622     | 66                                    | 94152A    | 49             | 260380    | 58, 60         |
| 84191     | 25, 37         | 85627     | 40                                    | 94152W    | 49             | 260381    | 58, 60         |
| 84192     | 20, 25, 37     | 85632     | 40                                    | 94153     | 49             | 261102    | 39             |
| 84257     | 51             | 85634     | 40, 46                                | 94153A    | 49             | 261103    | 39             |
| 84275     | 53             | 85636     | 40                                    | 94153M    | 49             | 261104    | 39             |
| 84335     | 35             | 85672     | 76, 77                                | 94153W    | 49             | 272251    | 66             |
| 84347     | 51             | 85674     | 76, 77                                | 94154     | 49             | 273299    | 22, 23, 29, 30 |
| 84377     | 25, 37         | 85700-30  | 66                                    | 94154A    | 49             | 274327    | 20             |
| 84432     | 53             | 85700-50  | 66                                    | 94154DS   | 49             | 274681    | 24             |
| 84538     | 32, 33, 34     | 85716     | 32, 33, 34                            | 94154M    | 49             | 274712    | 28             |
| 84606     | 63             | 85755     | 32, 34                                | 94154W    | 49             | 274728    | 24             |
| 84667     | 24             | 85765     | 32, 34                                | 94163     | 49             | 274790    | 28             |
| 84668     | 24             | 85791     | 19, 22                                | 94163DS   | 49             | 274843    | 24             |
| 84672     | 53             |           |                                       | 94273DS   | 49             | 274932    | 22             |



# Numerical Index

| Model No.   | Page No.   | Model No.   | Page No.   | Model No.   | Page No.           | Model No.    | Page No. |
|-------------|------------|-------------|------------|-------------|--------------------|--------------|----------|
| 275172..... | 54         | 277265..... | 66         | 600016..... | 69                 | 602112.....  | 72, 73   |
| 275173..... | 54         | 277266..... | 66         | 600103..... | 68                 | 602113.....  | 72, 73   |
| 275174..... | 51         | 277267..... | 66         | 600104..... | 46, 69             | 602116.....  | 72, 73   |
| 275175..... | 51         | 277280..... | 66         | 600106..... | 69                 | 602117.....  | 72, 73   |
| 275184..... | 27         | 277281..... | 66         | 600108..... | 69                 | 602134.....  | 70, 71   |
| 275197..... | 34         | 277538..... | 67         | 600112..... | 69                 | 602136.....  | 70, 71   |
| 275260..... | 22, 23     | 277564..... | 47         | 600116..... | 69                 | 602138.....  | 70, 71   |
| 275296..... | 43         | 277565..... | 47         | 600203..... | 68                 | 602203.....  | 76, 77   |
| 275370..... | 19         | 277566..... | 47         | 600204..... | 69                 | 602204.....  | 70, 71   |
| 275398..... | 29, 30     | 277633..... | 67         | 600206..... | 69                 | 602206.....  | 70, 71   |
| 275413..... | 29, 30     | 277635..... | 67         | 600208..... | 69                 | 602208.....  | 70, 71   |
| 275415..... | 22, 29, 30 | 277814..... | 58         | 600212..... | 69                 | 602212.....  | 74, 75   |
| 275416..... | 23         | 280690..... | 59         | 600216..... | 69                 | 602216.....  | 74, 75   |
| 276281..... | 58, 60     | 282133..... | 33         | 600301..... | 69                 | 630104.....  | 65       |
| 276283..... | 60         | 282396..... | 32, 33     | 600401..... | 38, 68             | 630204.....  | 65       |
| 277219..... | 67         | 282398..... | 32, 33, 38 | 602003..... | 21, 24, 39, 76, 77 | 632004.....  | 65       |
| 277230..... | 67         | 282597..... | 34         | 602004..... | 70, 71             | 640104.....  | 65       |
| 277232..... | 67         | 282876..... | 34, 35     | 602005..... | 70, 71             | 640106.....  | 65       |
| 277233..... | 67         | 282902..... | 34         | 602006..... | 70, 71             | 640204.....  | 65       |
| 277234..... | 67         | 282930..... | 58         | 602007..... | 70, 71             | 640206.....  | 65       |
| 277235..... | 67         | 282941..... | 58         | 602008..... | 70, 71             | 642006.....  | 65       |
| 277236..... | 67         | 282951..... | 58         | 602009..... | 70, 71             | 650108.....  | 65       |
| 277237..... | 67         | 284168..... | 33         | 602012..... | 74, 75             | 650208.....  | 65       |
| 277238..... | 67         | 285133..... | 33         | 602013..... | 74, 75             | 652008.....  | 65       |
| 277239..... | 67         | 285168..... | 33         | 602016..... | 74, 75             | 875172.....  | 51       |
| 277250..... | 66         | 600003..... | 38, 68     | 602103..... | 76, 77             | 1230120..... | 54       |
| 277254..... | 67         | 600004..... | 46, 69     | 602104..... | 70, 71             |              |          |
| 277255..... | 67         | 600006..... | 69         | 602106..... | 70, 71             |              |          |
| 277256..... | 67         | 600008..... | 69         | 602108..... | 70, 71             |              |          |
| 277258..... | 67         | 600012..... | 69         | 602109..... | 70, 71             |              |          |

# Lubricating Tools and Accessories Display Centers

Purchase Lincoln's best selling lubrication products. . .  
and we give you the merchandiser!



**Model 218**  
**Lincoln 2-Sided**  
**Merchandiser**  
**Display**  
**24" x 72"**



**Model 219**  
**Lincoln/Guardian**  
**2-Sided Combo**  
**Merchandiser**  
**Display, 24" x 72"**



**Model 212**  
**Lincoln Mini**  
**Merchandiser**  
**24" x 32"**



**Model 214**  
**Guardian**  
**Mini**  
**Merchandiser**  
**24" x 32"**

| MODEL  | Description                  | 212<br>Lincoln<br>Mini | 213<br>Combo<br>Mini | 214<br>Guardian<br>Mini | 218<br>2-sided<br>Lincoln | 219<br>2-sided<br>Combo |
|--------|------------------------------|------------------------|----------------------|-------------------------|---------------------------|-------------------------|
| 1133   | GUN, GREASE PISTOL           | 1                      | 1                    |                         | 2                         | 1                       |
| 1142   | GUN, LEVER                   | 1                      | 1                    |                         | 2                         | 2                       |
| 1132   | GUN, GREASE PISTOL           |                        |                      |                         | 1                         |                         |
| 1147   | GUN, LEVER                   |                        |                      |                         | 1                         |                         |
| 1148   | GUN, LEVER DELUXE            | 1                      |                      |                         | 1                         | 1                       |
| 1162   | GUN, AUTOMATIC AIR OPERATED  |                        |                      |                         | 1                         | 1                       |
| 224    | BEARING PACKER               |                        |                      |                         | 1                         |                         |
| 5184   | FTG, MINI METRIC ASST        |                        |                      |                         | 1                         |                         |
| 5185   | FTG, METRIC ASST             |                        |                      |                         | 1                         |                         |
| 5190   | FTG, LUBE STR 1/8MPT QTY-10  | 1                      |                      |                         | 1                         | 1                       |
| 5191   | FTG, LUBE STR 1/4-28 QTY-10  |                        |                      |                         | 1                         |                         |
| 5290   | FTG, LUBE 45° 1/8MPT QTY-10  |                        |                      |                         | 1                         | 1                       |
| 5291   | FTG, LUBE 45° 1/4-28 QTY-10  |                        |                      |                         | 1                         |                         |
| 5468   | FTG, LUBE ASSORTMENT         | 1                      |                      |                         | 1                         |                         |
| 5470   | FTG, LUBE ASSORTMENT         |                        |                      |                         | 1                         | 1                       |
| 5490   | FTG, LUBE 90° 1/8MPT QTY-10  |                        |                      |                         | 1                         | 1                       |
| 5491   | FTG, LUBE 90° 1/4-28 QTY-10  |                        |                      |                         | 1                         |                         |
| 5803   | NEEDLE ASSY                  | 1                      | 1                    |                         | 1                         | 1                       |
| 5812   | HOSE, WHIP W/SPR             |                        |                      |                         | 2                         | 1                       |
| 5818   | HOSE, WHIP W/SPR             | 1                      | 2                    |                         | 2                         | 1                       |
| 5845   | COUPLER, HYD ASSY            | 1                      | 1                    |                         | 1                         | 1                       |
| 5848   | COUPLER, HYD SWIVEL ASSY     | 1                      |                      |                         | 1                         | 1                       |
| 5852   | COUPLER, MIDGET HYD          | 1                      | 1                    |                         | 1                         | 1                       |
| 5852-2 | COUPLER, MIDGET HYD, 2 PKG   |                        |                      |                         | 1                         |                         |
| 5855   | ADPTR, HYD ASSY              |                        |                      |                         | 1                         | 1                       |
| 5859   | ADPTR, HYD ASSY              |                        |                      |                         | 1                         | 1                       |
| 615    | GUN, SUCTION                 | 1                      |                      |                         | 1                         | 1                       |
| 62028  | NOZZLE, EXTENSION            |                        |                      |                         | 1                         |                         |
| 66953  | TOOL, EASY OUT               |                        |                      |                         | 1                         |                         |
| 71512  | HOSE, WHIP 12"               |                        |                      |                         | 1                         |                         |
| 71518  | HOSE, WHIP 18"               |                        |                      |                         | 1                         |                         |
| 740    | VALVE, CONTROL ASSY          |                        |                      |                         | 1                         | 1                       |
| 81387  | SWIVEL, UNIVERS              |                        |                      |                         | 1                         | 1                       |
| 82760  | GREASE GUN HOLDER CLAMP      |                        |                      |                         | 1                         |                         |
| 82784  | NEEDLE NOZZLE ASSY           | 1                      |                      |                         | 1                         | 1                       |
| 83594  | SWIVEL, UNIVERS              |                        |                      |                         | 1                         | 1                       |
| 90776  | TOOL, EASY OUT               |                        |                      |                         | 1                         |                         |
| 91108  | FILLER NIPPLE                | 1                      | 1                    |                         | 1                         | 1                       |
| G100   | GUN, GREASE STD LVR ACTI     |                        | 1                    | 1                       |                           | 1                       |
| G102   | GREASE GUN                   |                        |                      |                         |                           | 2                       |
| G110   | GUN, GREASE, MINI PISTOL     |                        |                      | 1                       |                           | 2                       |
| G112   | GUN, GREASE, HD PISTOL       |                        | 1                    | 1                       |                           | 1                       |
| G113   | GUN, PISTOL GREASE           |                        |                      |                         |                           | 1                       |
| G150   | GUN, SUCTION                 |                        |                      |                         |                           | 1                       |
| G160   | HOLDER, GREASE GUN           |                        |                      | 1                       |                           | 1                       |
| G212   | HOSE, 12"-1/8" NPT           |                        |                      | 2                       |                           | 1                       |
| G212S  | HOSE, 12"-1/8" NPT, W/SPRING |                        |                      |                         |                           | 1                       |
| G218   | HOSE, 18"-1/8" NPT           |                        |                      | 2                       |                           | 1                       |
| G218S  | GREASE HOSE W/SPRING 18"     |                        |                      |                         |                           | 1                       |
| G300   | COUPLER, STD                 |                        | 1                    | 1                       |                           | 1                       |
| G310   | COUPLER, HD                  |                        |                      | 1                       |                           | 1                       |
| G321   | COUPLER, SWIVEL, 360 DEG     |                        |                      | 1                       |                           | 1                       |
| G600   | FITTINGS, DOMESTIC MINI      |                        | 1                    | 1                       |                           | 1                       |
| G601   | FITTINGS, METRIC MINI        |                        | 1                    | 1                       |                           | 1                       |
| G800   | GREASE, TUBE LITHIUM 2 PK    |                        |                      | 1                       |                           |                         |
| G901   | ADAPTER, 4" NEEDLE NOZZL     |                        | 1                    | 1                       |                           | 1                       |
| G904   | TOOL, GREASE 4-WAY SM        |                        |                      | 1                       |                           | 1                       |
| G905   | TOOL, GREASE 4-WAY LG        |                        |                      | 1                       |                           | 1                       |
| G907   | FITTING, GREASE GUN LOADER   |                        |                      |                         |                           | 1                       |

**LINCOLN**

© SKF is a registered trademark of the SKF Group.

© Lincoln is a registered trademark of Lincoln Industrial Corp.

© SKF Group 2009

The contents of this publication are the copyright of the publisher and may not be reproduced (even extracts) unless prior written permission is granted. Every care has been taken to ensure the accuracy of the information contained in this publication but no liability can be accepted for any loss or damage whether direct, indirect or consequential arising out of the use of the information contained herein.

FORM 442940 • October 2011

