



model **SP509**  
In-Line Strainer

## FEATURES & BENEFITS

---

## OPTIONS

---

For more information, visit [www.hawSCO.com](http://www.hawSCO.com) or call (888) 640-4297.



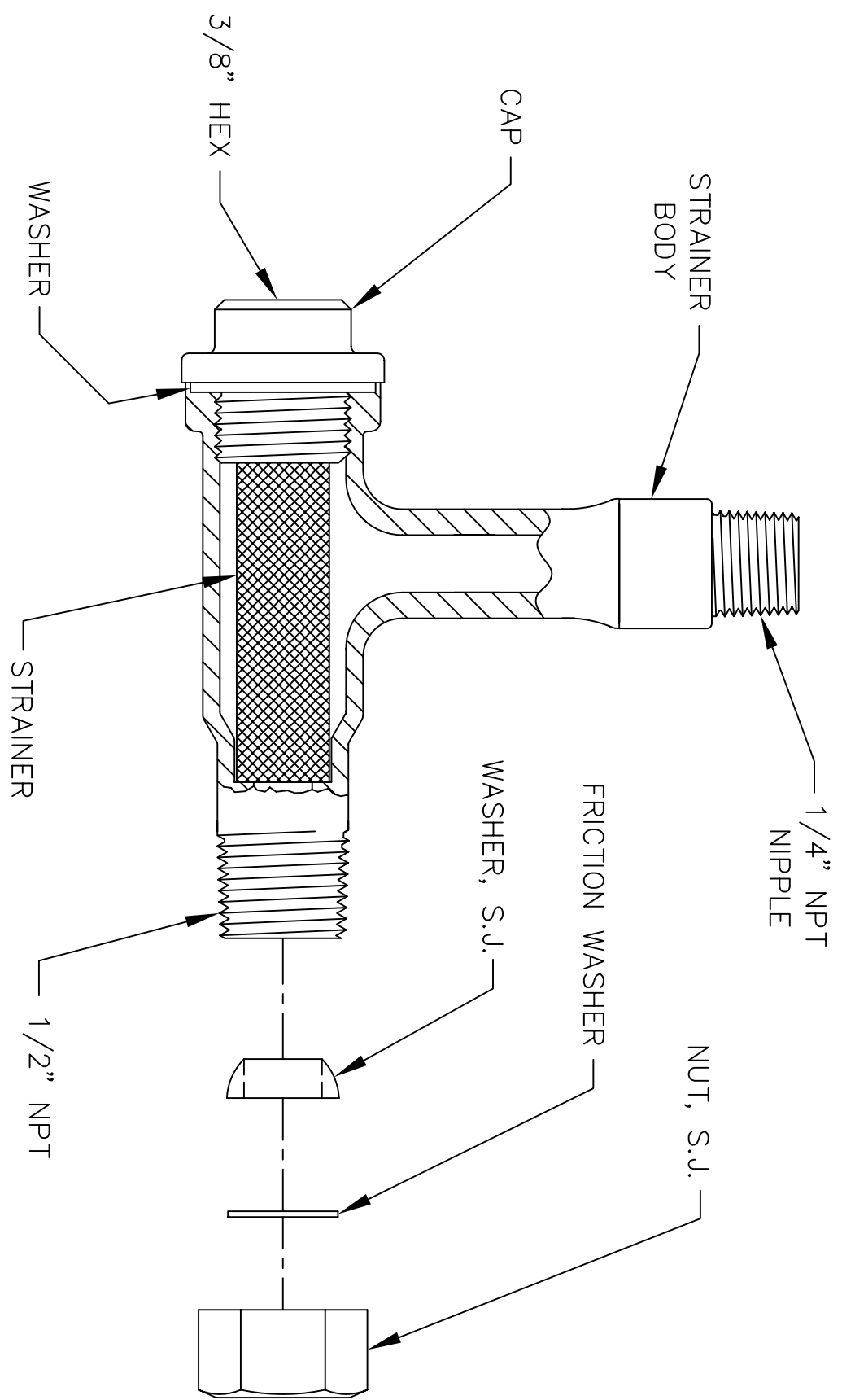
## SPECIFICATIONS

---

Model SP509 is a fully serviceable in-line, 50 x 50 mesh strainer filters debris from reaching the eye or eye/face wash.

## APPLICATIONS

---



**Howse**  
CORPORATION

INFO FAX : 1-888-FAX-HANS (1-888-329-4297)  
TEL : 410-359-4124 FAX : 410-359-1424  
HOME : 775-359-4124 FAX : 775-359-1424  
HOME Ag Building 3 Ch-3401 Burgdorf Switzerland  
HOME Mfg Pile Ltd 74 Sungai Kedat Loop Singapore 729531  
e-mail: HOWSE@HOWSCO.COM Website: WWW.HOWSCO.COM

MODEL	SP509	TITLE	INSTALLATION
DATE	6/93	INFO FAX DOC #	252509
REV. A		REV. A	

REVISIONS  
NO. 1 OF 2