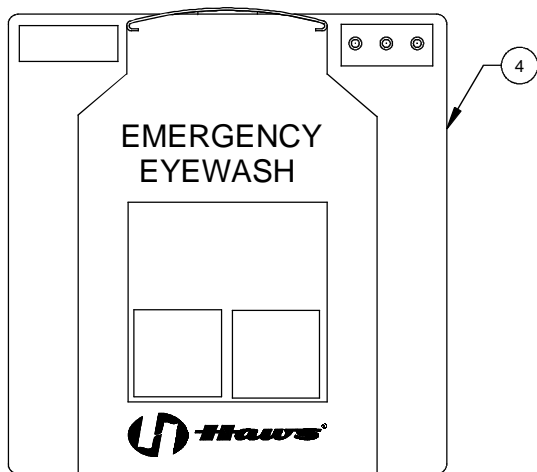
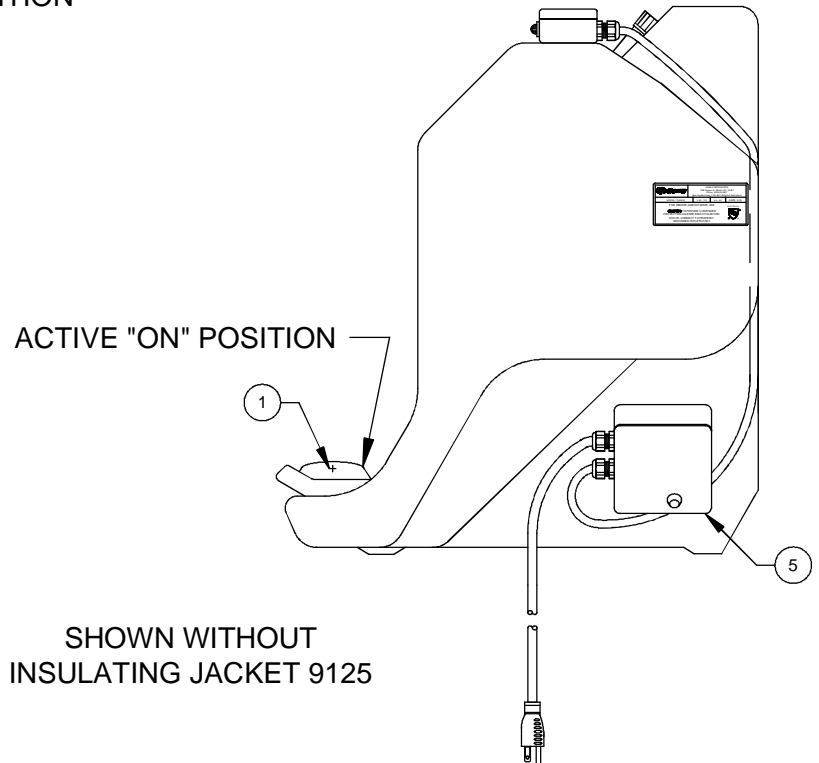
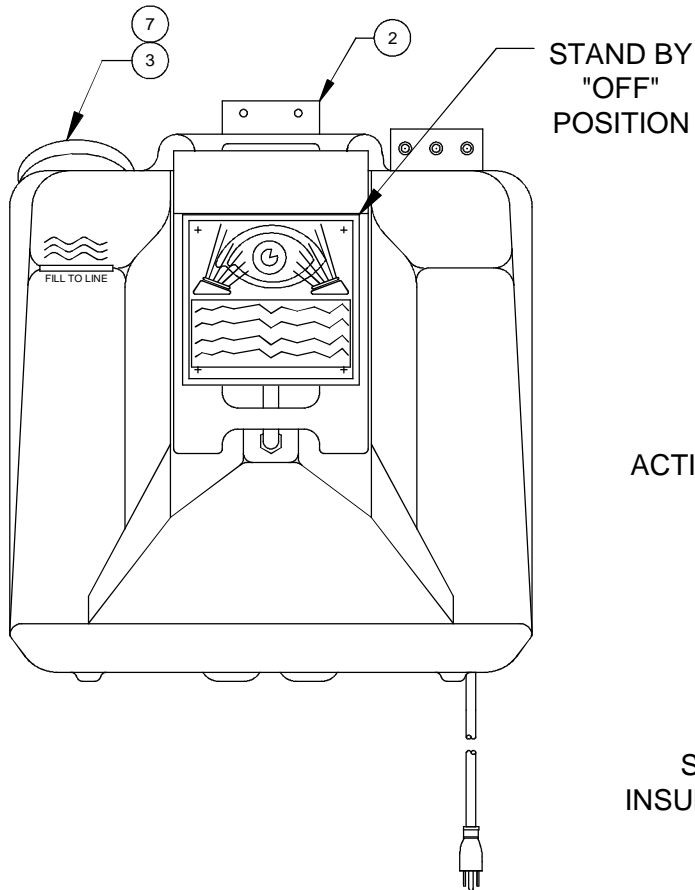
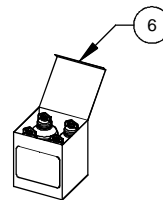


ITEM	DESCRIPTION
1	SP19 EYEWASH HEAD ASSY
2	0001217418 BRACKET
3	SP131 CAP
4	9125 JACKET
5	0002986400 HEATER
6	9082 STERILE EYEWASH ADDITIVE
7	0003163925 LABEL, CAP, REFILL

PARTS BREAKDOWN



7500EB ASSEMBLED
WITH 9125 JACKET



(NOT SUPPLIED, MUST BE ORDERED SEPARATELY)

WHEN ORDERING PARTS PLEASE SPECIFY MODEL NUMBER.

		Haws [®]		1455 KLEPPE LANE SPARKS, NEVADA 89431 (775) 359-4712 FAX (775) 359-7424 E-MAIL: HAWS@HAWSCO.COM WEBSITE: WWW.HAWSCO.COM	
				ECN NO. 5122	REVISED PER BY WK
DRAWN CLF	DATE 9/24/93	CHKD FV	7500EB	0002080059	
APPROVED FV	DATE 07/28/16		PORTABLE EYEWASH WITH HEATER	REVISION 14	
SCALE: 1:1			DRAWING TYPE: PARTS BREAKDOWN	SIZE: A	SHEET 1 OF 1