



**MECHANICS
TOOLS & STORAGE CATALOG**

DEWALT[®]
GUARANTEED TOUGH.[®]



MOBIL DTE
HYDRAULIC

pd/n



TABLE OF CONTENTS

RATCHETS	5
DRIVE TOOLS & ACCESSORIES	6
HAND SOCKETS	
1/4" DRIVE SOCKETS	9
3/8" DRIVE SOCKETS	20
1/2" DRIVE SOCKETS	36
3/4" DRIVE SOCKETS	44
IMPACT SOCKETS	
1/4" DRIVE IMPACT SOCKETS	46
3/8" DRIVE IMPACT SOCKETS	49
1/2" DRIVE IMPACT SOCKETS	52
3/4" DRIVE IMPACT SOCKETS	58
IMPACT ACCESSORIES	60
TORQUE WRENCHES	62
WRENCHES	64
PLIERS	78
SCREWDRIVERS	83
STORAGE	88
INDEX	93



**HAND SOCKETS,
DRIVE TOOLS
& ACCESSORIES**

RATCHETS



- 5 Degree arc swing and slim head design for maneuverability in restricted areas
- 72 Tooth gear system for high torque ratcheting
- Contoured, ergonomically designed handle with anti-slip grooves for comfort and control
- Chrome vanadium steel construction for strength and durability
- ASME B107.110

DRIVE TOOLS & ACCESSORIES

PEAR HEAD RATCHETS

PRODUCT #	DRIVE SIZE	TOOTH COUNT	OVERALL LENGTH (L)	WEIGHT
DWMT17130B	1/4"	72	5-21/32"	0.26 lbs
DWMT17131B	3/8"	72	7-5/8"	0.71 lbs
DWMT19206B	1/2"	72	9-19/32"	1.26 lbs



PEAR HEAD QUICK RELEASE RATCHET

PRODUCT #	DRIVE SIZE	TOOTH COUNT	OVERALL LENGTH (L)	WEIGHT
DWMT75290B	3/4"	72	19-3/4"	5.94 lbs



ROUND HEAD RATCHETS

PRODUCT #	DRIVE SIZE	TOOTH COUNT	OVERALL LENGTH (L)	WEIGHT
DWMT75278B	1/4"	72	5-23/32"	0.30 lbs
DWMT75307B	3/8"	72	7-5/8"	0.66 lbs
DWMT75271B	1/2"	72	9-11/16"	1.22 lbs



DRIVE TOOLS & ACCESSORIES

FLEX HANDLE / BREAKER BARS

BULK PRODUCT #	RETAIL PRODUCT #	DRIVE SIZE	OVERALL LENGTH (L)	WEIGHT
DWMT75276B	DWMT752760SP	1/4"	6"	0.24 lbs
DWMT75296B	DWMT752960SP	3/8"	8"	0.52 lbs
DWMT75297B	DWMT752970SP	3/8"	11"	1.10 lbs
DWMT17136B	--	3/8"	15"	2.14 lbs
DWMT75260B	DWMT752600SP	1/2"	15"	1.53 lbs
DWMT19205B	--	1/2"	18"	2.14 lbs
DWMT75261B	DWMT752610SP	1/2"	24"	2.60 lbs
DWMT75284B	DWMT752840SP	3/4"	20"	4.19 lbs
DWMT75287B	DWMT752870SP	3/4"	40"	8.05 lbs



ADAPTERS

BULK PRODUCT #	RETAIL PRODUCT #	INPUT DRIVE	OUTPUT DRIVE	OVERALL LENGTH (L)	WEIGHT
DWMT86002B	DWMT860020SP	1/4"	3/8"	31/32"	0.04 lbs
DWMT75311B	DWMT753110SP	3/8"	1/4"	1"	0.04 lbs
DWMT75310B	DWMT753100SP	3/8"	1/2"	1-13/32"	0.10 lbs
DWMT86414B	DWMT864140SP	1/2"	3/8"	1-11/32"	0.10 lbs
DWMT75272B	DWMT752720SP	1/2"	3/4"	1-21/32"	0.24 lbs
DWMT75293B	DWMT752930SP	3/4"	1/2"	2-1/8"	0.29 lbs



ASME B107.110

EXTENSIONS

BULK PRODUCT #	RETAIL PRODUCT #	DRIVE SIZE	OVERALL LENGTH (L)	WEIGHT
DWMT17132B	--	1/4"	2"	0.06 lbs
DWMT86006B	DWMT860060SP	1/4"	3"	0.08 lbs
DWMT86007B	DWMT860070SP	1/4"	6"	0.15 lbs
DWMT86206B	DWMT862060SP	3/8"	3"	0.16 lbs
DWMT86207B	DWMT862070SP	3/8"	6"	0.32 lbs
DWMT86208B	DWMT862080SP	3/8"	10"	0.51 lbs
DWMT75299B	DWMT752990SP	3/8"	12"	0.55 lbs
DWMT86406B	DWMT864060SP	1/2"	3"	0.26 lbs
DWMT86407B	DWMT864070SP	1/2"	5"	0.49 lbs
DWMT86408B	DWMT864080SP	1/2"	10"	0.93 lbs
DWMT75286B	DWMT752860SP	3/4"	4"	1.02 lbs
DWMT75288B	DWMT752820SP	3/4"	8"	1.61 lbs
DWMT75282B	DWMT752880SP	3/4"	16"	2.84 lbs

- Knurled rings for grip and control while handling



ASME B107.110

WOBBLE EXTENSIONS

BULK PRODUCT #	RETAIL PRODUCT #	DRIVE SIZE	OVERALL LENGTH (L)	WEIGHT
DWMT75441B	DWMT754410SP	3/8"	3"	0.16 lbs
DWMT75442B	DWMT754420SP	3/8"	6"	0.32 lbs
DWMT75443B	DWMT754430SP	3/8"	10"	0.50 lbs
DWMT75444B	DWMT754440SP	1/2"	5"	0.49 lbs
DWMT75445B	DWMT754450SP	1/2"	10"	0.93 lbs

- Chamfered tang for increased accessibility.
- Knurled rings for grip and control while handling



DRIVE TOOLS & ACCESSORIES

UNIVERSAL JOINTS

BULK PRODUCT #	RETAIL PRODUCT #	DRIVE SIZE	OVERALL LENGTH (L)	WEIGHT
DWMT86011B	DWMT86011OSP	1/4"	1-5/16"	0.05 lbs
DWMT86211B	DWMT86211OSP	3/8"	1-31/32"	0.13 lbs
DWMT86411B	DWMT86411OSP	1/2"	2-11/16"	0.31 lbs
DWMT75292B	DWMT75292OSP	3/4"	4-1/4"	1.90 lbs



SLIDING T-HANDLES

BULK PRODUCT #	RETAIL PRODUCT #	DRIVE SIZE	OVERALL LENGTH (L)	WEIGHT
DWMT17133B	--	1/4"	6-11/16"	0.09 lbs
DWMT17138B	--	3/8"	6-11/16"	0.28 lbs
DWMT19204B	--	1/2"	9-9/16"	0.70 lbs
DWMT75291B	DWMT75291OSP	3/4"	20"	3.30 lbs



SOCKET SPINNER

- Bi-material grip for comfort and control

BULK PRODUCT #	RETAIL PRODUCT #	DRIVE SIZE	OVERALL LENGTH (L)	WEIGHT
DWMT75277B	DWMT75277OSP	1/4"	6-11/16"	0.21 lbs



BIT HOLDER SOCKETS - 1/4" BITS

BULK PRODUCT #	DRIVE SIZE	OVERALL LENGTH (L)	WEIGHT
DWMT17134B	1/4"	1-1/32"	0.05 lbs
DWMT17137B	3/8"	1-5/32"	0.05 lbs



MAGNETIC TRAY

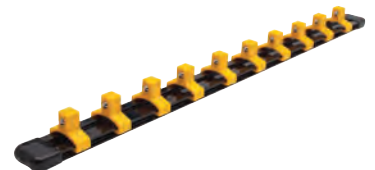
BULK PRODUCT #	RETAIL PRODUCT #	DIAMETER	WEIGHT
DWMT75313B	DWMT75313OSP	5-7/8"	11.20 oz

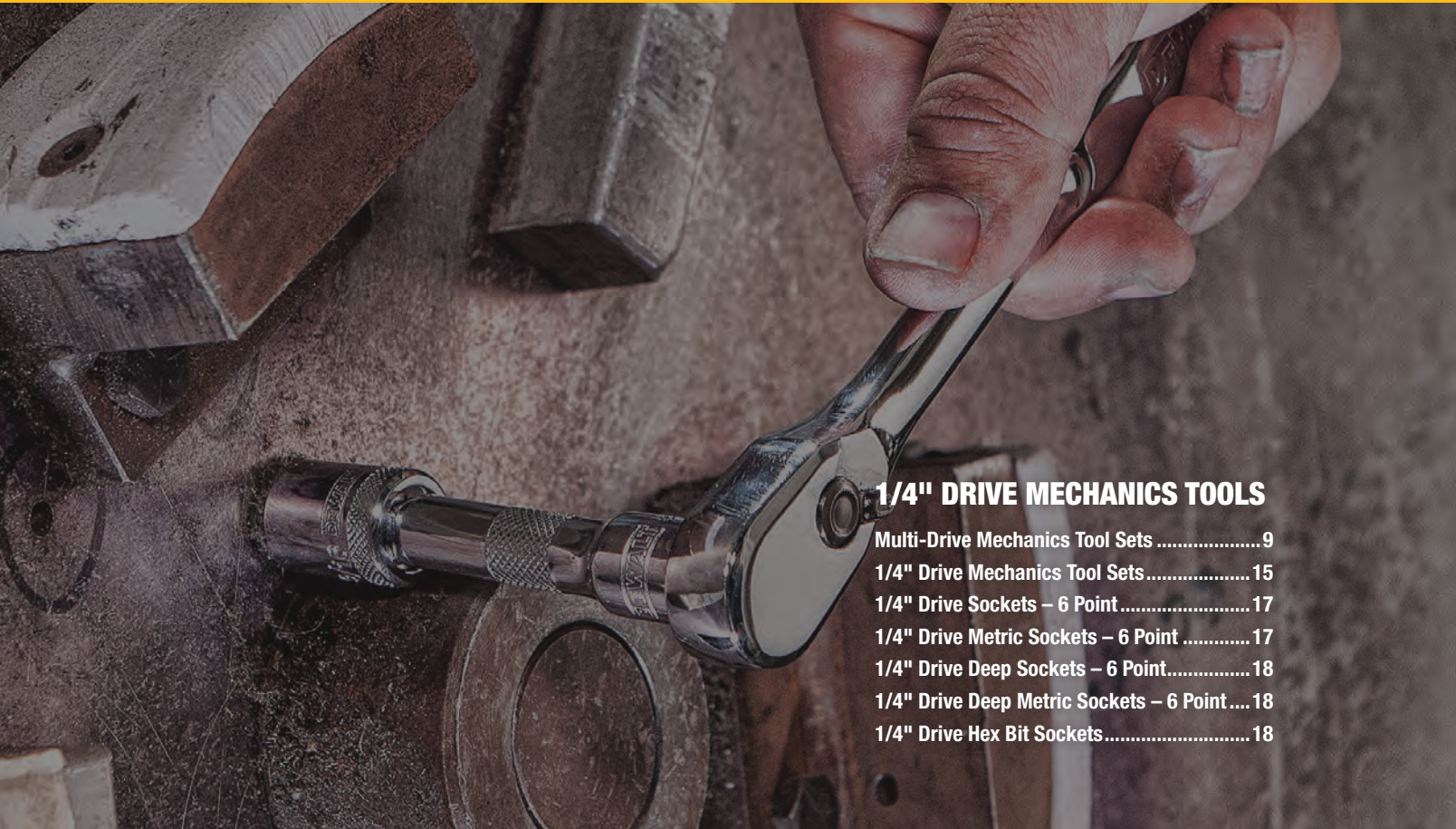


SOCKET RAILS

- Lightweight aluminum construction
- Easy slide clips

BULK PRODUCT #	RETAIL PRODUCT #	DRIVE SIZE	OVERALL LENGTH (L)	WEIGHT	CLIPS
DWMT75280B	DWMT75280OSP	1/4"	7-11/16"	0.13 lbs	11
DWMT75301B	DWMT75301OSP	3/8"	12-7/32"	0.21 lbs	12
DWMT75262B	DWMT75262OSP	1/2"	14"	0.29 lbs	12





1/4" DRIVE MECHANICS TOOLS

Multi-Drive Mechanics Tool Sets 9
1/4" Drive Mechanics Tool Sets 15
1/4" Drive Sockets – 6 Point 17
1/4" Drive Metric Sockets – 6 Point 17
1/4" Drive Deep Sockets – 6 Point 18
1/4" Drive Deep Metric Sockets – 6 Point 18
1/4" Drive Hex Bit Sockets 18



**DIRECT
TORQUE**

DirectTorque™ Technology

All sockets and box ends of wrenches incorporate DEWALT® DirectTorque™ Technology into the design of the tools. This unique design allows greater contact with the flat surface areas of fasteners, providing greater torque to make tightening and loosening easy. Conventional sockets and box ends of wrenches damage fasteners by concentrating force on the corners. DEWALT® DirectTorque™ Technology spreads force over a larger contact area, reducing rounding and extending fastener life. Tools with DEWALT® DirectTorque™ Technology are particularly useful on already worn or rounded fasteners.

1/4" DRIVE SOCKET SETS

- DirectTorque™ Technology
- Polished chrome vanadium finish
- Hard stamped markings
- 72 tooth ratchet with 5 degree arc swing
- Light-weight carrying case with metal latches

192 PIECE 1/4", 3/8" & 1/2" DRIVE MECHANICS TOOLS SET

PRODUCT #	CONTENTS	DESCRIPTION
DWMT75049		
DWMT86021	6PT 1/4" Drive Socket 5/32"	
DWMT86022	6PT 1/4" Drive Socket 3/16"	
DWMT86023	6PT 1/4" Drive Socket 7/32"	
DWMT86024	6PT 1/4" Drive Socket 1/4"	
DWMT86025	6PT 1/4" Drive Socket 9/32"	
DWMT86026	6PT 1/4" Drive Socket 5/16"	
DWMT86027	6PT 1/4" Drive Socket 11/32"	
DWMT86028	6PT 1/4" Drive Socket 3/8"	
DWMT86029	6PT 1/4" Drive Socket 7/16"	
DWMT86030	6PT 1/4" Drive Socket 1/2"	
DWMT85961	6PT 1/4" Drive Socket 9/16"	
DWMT86101	6PT 1/4" Drive Socket 4 mm	
DWMT86102	6PT 1/4" Drive Socket 5 mm	
DWMT86103	6PT 1/4" Drive Socket 6 mm	
DWMT86104	6PT 1/4" Drive Socket 7 mm	
DWMT86105	6PT 1/4" Drive Socket 8 mm	
DWMT86106	6PT 1/4" Drive Socket 9 mm	
DWMT86107	6PT 1/4" Drive Socket 10 mm	
DWMT86108	6PT 1/4" Drive Socket 11 mm	
DWMT86109	6PT 1/4" Drive Socket 12 mm	
DWMT86112	6PT 1/4" Drive Socket 13 mm	
DWMT86114	6PT 1/4" Drive Socket 14 mm	
DWMT89820	6PT 1/4" Drive Deep Socket 5/32"	
DWMT88964	6PT 1/4" Drive Deep Socket 3/16"	
DWMT86043	6PT 1/4" Drive Deep Socket 1/4"	
DWMT86044	6PT 1/4" Drive Deep Socket 9/32"	
DWMT86045	6PT 1/4" Drive Deep Socket 5/16"	
DWMT86046	6PT 1/4" Drive Deep Socket 11/32"	
DWMT86047	6PT 1/4" Drive Deep Socket 3/8"	
DWMT86048	6PT 1/4" Drive Deep Socket 7/16"	
DWMT86049	6PT 1/4" Drive Deep Socket 1/2"	
DWMT88935	6PT 1/4" Drive Deep Socket 4 mm	
DWMT88936	6PT 1/4" Drive Deep Socket 5 mm	
DWMT86094	6PT 1/4" Drive Deep Socket 6 mm	
DWMT86095	6PT 1/4" Drive Deep Socket 7 mm	
DWMT86096	6PT 1/4" Drive Deep Socket 8 mm	
DWMT86097	6PT 1/4" Drive Deep Socket 9 mm	
DWMT86098	6PT 1/4" Drive Deep Socket 10 mm	
DWMT86099	6PT 1/4" Drive Deep Socket 11 mm	
DWMT86100	6PT 1/4" Drive Deep Socket 12 mm	
DWMT86116	6PT 1/4" Drive Deep Socket 13 mm	
DWMT86289	6PT 1/4" Drive Deep Socket 14 mm	
DWMT71803	1/4 Drive Pear Head Ratchet	
DWMT86006	1/4" Drive 3" Extension	
DWMT86007	1/4" Drive 6" Extension	
DWMT86372	1/4" Drive 10" Extension	
DWMT86002	1/4" X 3/8" Increasing Adapter	
DWMT86011	1/4" Drive Universal Joint	
DWMT86255	6PT 3/8" Drive Socket 1/4"	
DWMT86256	6PT 3/8" Drive Socket 5/16"	
DWMT88976	6PT 3/8" Drive Socket 3/8"	
DWMT88977	6PT 3/8" Drive Socket 7/16"	
DWMT88978	6PT 3/8" Drive Socket 1/2"	
DWMT88979	6PT 3/8" Drive Socket 9/16"	
DWMT88980	6PT 3/8" Drive Socket 5/8"	
DWMT88981	6PT 3/8" Drive Socket 11/16"	
DWMT88982	6PT 3/8" Drive Socket 3/4"	
DWMT88983	6PT 3/8" Drive Socket 13/16"	
DWMT88984	6PT 3/8" Drive Socket 7/8"	
DWMT86305	6PT 3/8" Drive Socket 10 mm	
DWMT86306	6PT 3/8" Drive Socket 11 mm	
DWMT86307	6PT 3/8" Drive Socket 12 mm	



CONTENTS	DESCRIPTION
DWMT86308	6PT 3/8" Drive Socket 13 mm
DWMT86309	6PT 3/8" Drive Socket 14 mm
DWMT86310	6PT 3/8" Drive Socket 15 mm
DWMT86311	6PT 3/8" Drive Socket 16 mm
DWMT86312	6PT 3/8" Drive Socket 17 mm
DWMT86313	6PT 3/8" Drive Socket 18 mm
DWMT86314	6PT 3/8" Drive Socket 19 mm
DWMT86316	6PT 3/8" Drive Socket 21 mm
DWMT70840	6PT 3/8" Drive Deep Socket 1/4"
DWMT80016	6PT 3/8" Drive Deep Socket 15/16"
DWMT88985	6PT 3/8" Drive Deep Socket 3/8"
DWMT88986	6PT 3/8" Drive Deep Socket 7/16"
DWMT88987	6PT 3/8" Drive Deep Socket 1/2"
DWMT88988	6PT 3/8" Drive Deep Socket 9/16"
DWMT88989	6PT 3/8" Drive Deep Socket 5/8"
DWMT88990	6PT 3/8" Drive Deep Socket 11/16"
DWMT88991	6PT 3/8" Drive Deep Socket 3/4"
DWMT88992	6PT 3/8" Drive Deep Socket 13/16"
DWMT88971	6PT 3/8" Drive Deep Socket 7/8"
DWMT86322	6PT 3/8" Drive Deep Socket 10 mm
DWMT86323	6PT 3/8" Drive Deep Socket 11 mm
DWMT86324	6PT 3/8" Drive Deep Socket 12 mm
DWMT86325	6PT 3/8" Drive Deep Socket 13 mm
DWMT86326	6PT 3/8" Drive Deep Socket 14 mm
DWMT86327	6PT 3/8" Drive Deep Socket 15 mm
DWMT88825	6PT 3/8" Drive Deep Socket 16 mm
DWMT86328	6PT 3/8" Drive Deep Socket 17 mm
DWMT94955	6PT 3/8" Drive Deep Socket 18 mm
DWMT94961	6PT 3/8" Drive Deep Socket 19 mm
DWMT96362	6PT 3/8" Drive Deep Socket 21 mm
DWMT71804	3/8 Drive Pear Head Ratchet
DWMT86206	3/8" Drive 3" Extension
DWMT86207	3/8" Drive 6" Extension
DWMT86208	3/8" Drive 10" Extension
DWMT86211	3/8" Drive Universal Joint
DWMT75311	3/8" X 1/4" Reducing Adapter
DWMT86443	6PT 1/2" Drive Socket 7/16"
DWMT86444	6PT 1/2" Drive Socket 1/2"
DWMT86445	6PT 1/2" Drive Socket 9/16"
DWMT88766	6PT 1/2" Drive Socket 5/8"
DWMT86448	6PT 1/2" Drive Socket 11/16"
DWMT86449	6PT 1/2" Drive Socket 3/4"
DWMT86451	6PT 1/2" Drive Socket 13/16"
DWMT86452	6PT 1/2" Drive Socket 7/8"
DWMT86453	6PT 1/2" Drive Socket 15/16"
DWMT86455	6PT 1/2" Drive Socket 1"
DWMT86513	6PT 1/2" Drive Socket 13 mm
DWMT86514	6PT 1/2" Drive Socket 14 mm
DWMT86515	6PT 1/2" Drive Socket 15 mm
DWMT88738	6PT 1/2" Drive Socket 16 mm
DWMT86517	6PT 1/2" Drive Socket 17 mm
DWMT86518	6PT 1/2" Drive Socket 18 mm
DWMT86519	6PT 1/2" Drive Socket 19 mm

CONTENTS	DESCRIPTION
DWMT86521	6PT 1/2" Drive Socket 21 mm
DWMT86522	6PT 1/2" Drive Socket 22 mm
DWMT86524	6PT 1/2" Drive Socket 24 mm
DWMT89532	6PT 1/2" Drive Deep Socket 7/16"
DWMT88945	6PT 1/2" Drive Deep Socket 1/2"
DWMT88946	6PT 1/2" Drive Deep Socket 9/16"
DWMT88947	6PT 1/2" Drive Deep Socket 5/8"
DWMT88948	6PT 1/2" Drive Deep Socket 11/16"
DWMT88949	6PT 1/2" Drive Deep Socket 3/4"
DWMT88950	6PT 1/2" Drive Deep Socket 13/16"
DWMT88951	6PT 1/2" Drive Deep Socket 7/8"
DWMT88952	6PT 1/2" Drive Deep Socket 15/16"
DWMT88953	6PT 1/2" Drive Deep Socket 1"
DWMT93528	6PT 1/2" Drive Deep Socket 13 mm
DWMT93529	6PT 1/2" Drive Deep Socket 14 mm
DWMT93530	6PT 1/2" Drive Deep Socket 15 mm
DWMT93531	6PT 1/2" Drive Deep Socket 16 mm
DWMT93532	6PT 1/2" Drive Deep Socket 17 mm
DWMT93533	6PT 1/2" Drive Deep Socket 18 mm
DWMT93534	6PT 1/2" Drive Deep Socket 19 mm
DWMT93535	6PT 1/2" Drive Deep Socket 21 mm
DWMT93536	6PT 1/2" Drive Deep Socket 22 mm
DWMT96370	6PT 1/2" Drive Deep Socket 24 mm
DWMT71805	1/2 Drive Pear Head Ratchet
DWMT86406	1/2" Drive 2.5" Extension
DWMT86407	1/2" Drive 5" Extension
DWMT86408	1/2" Drive 10" Extension
DWMT86411	1/2" Drive Universal Joint
DWMT86414	1/2" Drive Adapter 1/2" to 3/8"
DWMT86380	3/8" Drive Spark Plug Socket 5/8"
DWMT85802	3/8" Drive Spark Plug Socket 3/4"
DWMT86381	6PT 3/8" Drive Spark Plug Socket 13/16"
DWMT86388	3/8" Drive Hex Bit Socket 5/32"
DWMT86389	3/8" Drive Hex Bit Socket 3/16"
DWMT86391	3/8" Drive Hex Bit Socket 1/4"
DWMT86392	3/8" Drive Hex Bit Socket 5/16"
DWMT87971	3/8" Drive Hex Bit Socket 4 mm
DWMT87972	3/8" Drive Hex Bit Socket 5 mm
DWMT87973	3/8" Drive Hex Bit Socket 6 mm
DWMT87974	3/8" Drive Hex Bit Socket 7 mm
DWMT87975	3/8" Drive Hex Bit Socket 8 mm
DWMT87404	3/8" Drive Torx® Bit Socket T10
DWMT87141	3/8" Drive Torx® Bit Socket T15
DWMT87142	3/8" Drive Torx® Bit Socket T20
DWMT87143	3/8" Drive Torx® Bit Socket T25
DWMT87406	3/8" Drive Torx® Bit Socket T27
DWMT87144	3/8" Drive Torx® Bit Socket T30
DWMT87145	3/8" Drive Torx® Bit Socket T40
DWMT87146	3/8" Drive Torx® Bit Socket T45
DWMT72591	14 Piece Standard Hex Key Set
DWMT72592	14 Piece Metric Hex Key Set

Torx® is a trademark of Acument Intellectual Properties, LLC

1/4" DRIVE SOCKET SETS

- DirectTorque™ Technology
- Polished chrome vanadium finish
- Hard stamped markings
- Light-weight carrying case with metal latches

168 PIECE 1/4", 3/8" & 1/2" DRIVE MECHANICS TOOLS SET

PRODUCT # CONTENTS DESCRIPTION

DWMT73803

DWMT86021	6PT 1/4" Drive Socket 5/32"
DWMT86022	6PT 1/4" Drive Socket 3/16"
DWMT86023	6PT 1/4" Drive Socket 7/32"
DWMT86024	6PT 1/4" Drive Socket 1/4"
DWMT86025	6PT 1/4" Drive Socket 9/32"
DWMT86026	6PT 1/4" Drive Socket 5/16"
DWMT86027	6PT 1/4" Drive Socket 11/32"
DWMT86028	6PT 1/4" Drive Socket 3/8"
DWMT86029	6PT 1/4" Drive Socket 7/16"
DWMT86030	6PT 1/4" Drive Socket 1/2"
DWMT86101	6PT 1/4" Drive Socket 4 mm
DWMT86110	6PT 1/4" Drive Socket 4.5 mm
DWMT86102	6PT 1/4" Drive Socket 5 mm
DWMT86111	6PT 1/4" Drive Socket 5.5 mm
DWMT86103	6PT 1/4" Drive Socket 6 mm
DWMT86104	6PT 1/4" Drive Socket 7 mm
DWMT86105	6PT 1/4" Drive Socket 8 mm
DWMT86106	6PT 1/4" Drive Socket 9 mm
DWMT86107	6PT 1/4" Drive Socket 10 mm
DWMT86108	6PT 1/4" Drive Socket 11 mm
DWMT86109	6PT 1/4" Drive Socket 12 mm
DWMT86112	6PT 1/4" Drive Socket 13 mm
DWMT86045	6PT 1/4" Drive Deep Socket 5/16"
DWMT86046	6PT 1/4" Drive Deep Socket 11/32"
DWMT86047	6PT 1/4" Drive Deep Socket 3/8"
DWMT86048	6PT 1/4" Drive Deep Socket 7/16"
DWMT86049	6PT 1/4" Drive Deep Socket 1/2"
DWMT86097	6PT 1/4" Drive Deep Socket 9 mm
DWMT86098	6PT 1/4" Drive Deep Socket 10 mm
DWMT86099	6PT 1/4" Drive Deep Socket 11 mm
DWMT86100	6PT 1/4" Drive Deep Socket 12 mm
DWMT86116	6PT 1/4" Drive Deep Socket 13 mm
DWMT86256	6PT 3/8" Drive Socket 5/16"
DWMT88976	6PT 3/8" Drive Socket 3/8"
DWMT88977	6PT 3/8" Drive Socket 7/16"
DWMT88978	6PT 3/8" Drive Socket 1/2"
DWMT88979	6PT 3/8" Drive Socket 9/16"
DWMT88980	6PT 3/8" Drive Socket 5/8"
DWMT88981	6PT 3/8" Drive Socket 11/16"
DWMT88982	6PT 3/8" Drive Socket 3/4"
DWMT88983	6PT 3/8" Drive Socket 13/16"
DWMT88984	6PT 3/8" Drive Socket 7/8"
DWMT86305	6PT 3/8" Drive Socket 10 mm
DWMT86306	6PT 3/8" Drive Socket 11 mm
DWMT86307	6PT 3/8" Drive Socket 12 mm
DWMT86308	6PT 3/8" Drive Socket 13 mm
DWMT86309	6PT 3/8" Drive Socket 14 mm
DWMT86310	6PT 3/8" Drive Socket 15 mm
DWMT86311	6PT 3/8" Drive Socket 16 mm
DWMT86312	6PT 3/8" Drive Socket 17 mm
DWMT86313	6PT 3/8" Drive Socket 18 mm
DWMT86314	6PT 3/8" Drive Socket 19 mm
DWMT88989	6PT 3/8" Drive Deep Socket 5/8"
DWMT88990	6PT 3/8" Drive Deep Socket 11/16"
DWMT88991	6PT 3/8" Drive Deep Socket 3/4"
DWMT88992	6PT 3/8" Drive Deep Socket 13/16"
DWMT88971	6PT 3/8" Drive Deep Socket 7/8"
DWMT86327	6PT 3/8" Drive Deep Socket 15 mm
DWMT88825	6PT 3/8" Drive Deep Socket 16 mm
DWMT86328	6PT 3/8" Drive Deep Socket 17 mm
DWMT94955	6PT 3/8" Drive Deep Socket 18 mm



CONTENTS	DESCRIPTION
DWMT94961	6PT 3/8" Drive Deep Socket 19 mm
DWMT86444	6PT 1/2" Drive Socket 1/2"
DWMT86445	6PT 1/2" Drive Socket 9/16"
DWMT88766	6PT 1/2" Drive Socket 5/8"
DWMT86448	6PT 1/2" Drive Socket 11/16"
DWMT86449	6PT 1/2" Drive Socket 3/4"
DWMT86451	6PT 1/2" Drive Socket 13/16"
DWMT86452	6PT 1/2" Drive Socket 7/8"
DWMT86453	6PT 1/2" Drive Socket 15/16"
DWMT86512	6PT 1/2" Drive Socket 12 mm
DWMT86513	6PT 1/2" Drive Socket 13 mm
DWMT86514	6PT 1/2" Drive Socket 14 mm
DWMT86515	6PT 1/2" Drive Socket 15 mm
DWMT86517	6PT 1/2" Drive Socket 17 mm
DWMT86518	6PT 1/2" Drive Socket 18 mm
DWMT86519	6PT 1/2" Drive Socket 19 mm
DWMT86521	6PT 1/2" Drive Socket 21 mm
DWMT86380	3/8" Drive Spark Plug Socket 5/8"
DWMT85802	3/8" Drive Spark Plug Socket 3/4"
DWMT75311	3/8" X 1/4" Reducing Adapter
DWMT86007	1/4" Drive 6" Extension
DWMT86207	3/8" Drive 6" Extension
DWMT86407	1/2" Drive 5" Extension
DWMT86011	1/4" Drive Universal Joint
DWMT86211	3/8" Drive Universal Joint
DWMT86411	1/2" Drive Universal Joint
DWMT71803	1/4 Drive Pear Head Ratchet
DWMT71804	3/8 Drive Pear Head Ratchet
DWMT71805	1/2 Drive Pear Head Ratchet
DWMT72191	Combination Wrench 5/16"
DWMT72193	Combination Wrench 3/8"

CONTENTS	DESCRIPTION
DWMT72194	Combination Wrench 7/16"
DWMT72195	Combination Wrench 1/2"
DWMT72196	Combination Wrench 9/16"
DWMT72197	Combination Wrench 5/8"
DWMT72211	Combination Wrench 10 mm
DWMT72212	Combination Wrench 11 mm
DWMT72213	Combination Wrench 12 mm
DWMT72215	Combination Wrench 14 mm
DWMT72216	Combination Wrench 15 mm
DWMT72217	Combination Wrench 16 mm
DWMT72591	14 Piece Standard Hex Key Set
DWMT72592	14 Piece Metric Hex Key Set
--	Vinyl Grip Multi Driver
--	4 mm Nut Driver Bit
--	5 mm Nut Driver Bit
--	6 mm Nut Driver Bit
--	7 mm Nut Driver Bit
--	8 mm Nut Driver Bit
--	5/32" Nut Driver Bit
--	3/16" Nut Driver Bit
--	7/32" Nut Driver Bit
--	1/4" Nut Driver Bit
--	9/32" Nut Driver Bit
--	5/16" Nut Driver Bit
--	11/32" Nut Driver Bit
--	3/8" Nut Driver Bit
--	7/16" Nut Driver Bit
--	1/2" Nut Driver Bit
--	22 Piece Bit Set with Storage Case

1/4" DRIVE SOCKET SETS

- DirectTorque™ Technology
- Polished chrome vanadium finish
- Hard stamped markings
- Light-weight carrying case with metal latches

142 PIECE 1/4" & 3/8" DRIVE MECHANICS TOOLS SET

PRODUCT #	CONTENTS	DESCRIPTION
DWMT73802		
DWMT86022	6PT 1/4" Drive Socket 3/16"	
DWMT86023	6PT 1/4" Drive Socket 7/32"	
DWMT86024	6PT 1/4" Drive Socket 1/4"	
DWMT86025	6PT 1/4" Drive Socket 9/32"	
DWMT86026	6PT 1/4" Drive Socket 5/16"	
DWMT86027	6PT 1/4" Drive Socket 11/32"	
DWMT86028	6PT 1/4" Drive Socket 3/8"	
DWMT86029	6PT 1/4" Drive Socket 7/16"	
DWMT86030	6PT 1/4" Drive Socket 1/2"	
DWMT86102	6PT 1/4" Drive Socket 5 mm	
DWMT86103	6PT 1/4" Drive Socket 6 mm	
DWMT86104	6PT 1/4" Drive Socket 7 mm	
DWMT86105	6PT 1/4" Drive Socket 8 mm	
DWMT86106	6PT 1/4" Drive Socket 9 mm	
DWMT86107	6PT 1/4" Drive Socket 10 mm	
DWMT86108	6PT 1/4" Drive Socket 11 mm	
DWMT86109	6PT 1/4" Drive Socket 12 mm	
DWMT86112	6PT 1/4" Drive Socket 13 mm	
DWMT86045	6PT 1/4" Drive Deep Socket 5/16"	
DWMT86046	6PT 1/4" Drive Deep Socket 11/32"	
DWMT86047	6PT 1/4" Drive Deep Socket 3/8"	
DWMT86048	6PT 1/4" Drive Deep Socket 7/16"	
DWMT86049	6PT 1/4" Drive Deep Socket 1/2"	
DWMT86097	6PT 1/4" Drive Deep Socket 9 mm	
DWMT86098	6PT 1/4" Drive Deep Socket 10 mm	
DWMT86099	6PT 1/4" Drive Deep Socket 11 mm	
DWMT86100	6PT 1/4" Drive Deep Socket 12 mm	
DWMT86116	6PT 1/4" Drive Deep Socket 13 mm	
DWMT86256	6PT 3/8" Drive Socket 5/16"	
DWMT88976	6PT 3/8" Drive Socket 3/8"	
DWMT88977	6PT 3/8" Drive Socket 7/16"	
DWMT88978	6PT 3/8" Drive Socket 1/2"	
DWMT88979	6PT 3/8" Drive Socket 9/16"	
DWMT88980	6PT 3/8" Drive Socket 5/8"	
DWMT88981	6PT 3/8" Drive Socket 11/16"	
DWMT88982	6PT 3/8" Drive Socket 3/4"	
DWMT88983	6PT 3/8" Drive Socket 13/16"	
DWMT88984	6PT 3/8" Drive Socket 7/8"	
DWMT86305	6PT 3/8" Drive Socket 10 mm	
DWMT86306	6PT 3/8" Drive Socket 11 mm	
DWMT86307	6PT 3/8" Drive Socket 12 mm	
DWMT86308	6PT 3/8" Drive Socket 13 mm	
DWMT86309	6PT 3/8" Drive Socket 14 mm	
DWMT86310	6PT 3/8" Drive Socket 15 mm	
DWMT86311	6PT 3/8" Drive Socket 16 mm	
DWMT86312	6PT 3/8" Drive Socket 17 mm	
DWMT86313	6PT 3/8" Drive Socket 18 mm	
DWMT86314	6PT 3/8" Drive Socket 19 mm	
DWMT88989	6PT 3/8" Drive Deep Socket 5/8"	
DWMT88990	6PT 3/8" Drive Deep Socket 11/16"	
DWMT88991	6PT 3/8" Drive Deep Socket 3/4"	
DWMT88992	6PT 3/8" Drive Deep Socket 13/16"	



CONTENTS	DESCRIPTION
DWMT88971	6PT 3/8" Drive Deep Socket 7/8"
DWMT88825	6PT 3/8" Drive Deep Socket 16 mm
DWMT86328	6PT 3/8" Drive Deep Socket 17 mm
DWMT94955	6PT 3/8" Drive Deep Socket 18 mm
DWMT94961	6PT 3/8" Drive Deep Socket 19 mm
DWMT72193	Combination Wrench 3/8"
DWMT72194	Combination Wrench 7/16"
DWMT72195	Combination Wrench 1/2"
DWMT72196	Combination Wrench 9/16"
DWMT72197	Combination Wrench 5/8"
DWMT72211	Combination Wrench 10 mm
DWMT72212	Combination Wrench 11 mm
DWMT72214	Combination Wrench 13 mm
DWMT72215	Combination Wrench 14 mm
DWMT72216	Combination Wrench 15 mm
DWMT86002	1/4" X 3/8" Increasing Adapter
DWMT75311	3/8" X 1/4" Reducing Adapter
DWMT86380	3/8" Drive Spark Plug Socket 5/8"
DWMT86007	1/4" Drive 6" Extension
DWMT86207	3/8" Drive 6" Extension
DWMT86011	1/4" Drive Universal Joint
DWMT86211	3/8" Drive Universal Joint

CONTENTS	DESCRIPTION
DWMT71803	1/4" Drive Pear Head Ratchet
DWMT71804	3/8" Drive Pear Head Ratchet
DWMT72591	14 Piece Standard Hex Key Set
DWMT72592	14 Piece Metric Hex Key Set
--	4 mm Nut Driver Bit
--	5 mm Nut Driver Bit
--	6 mm Nut Driver Bit
--	7 mm Nut Driver Bit
--	8 mm Nut Driver Bit
--	5/32" Nut Driver Bit
--	3/16" Nut Driver Bit
--	7/32" Nut Driver Bit
--	1/4" Nut Driver Bit
--	9/32" Nut Driver Bit
--	5/16" Nut Driver Bit
--	11/32" Nut Driver Bit
--	3/8" Nut Driver Bit
--	7/16" Nut Driver Bit
--	1/2" Nut Driver Bit
--	Vinyl Grip Multi Driver
--	22 Piece Bit Set with Storage Case

1/4" DRIVE SOCKET SETS

- DirectTorque™ Technology
- Polished chrome vanadium finish
- Hard stamped markings
- Light-weight carrying case with metal latches

108 PIECE 1/4" & 3/8" DRIVE MECHANICS TOOLS SET

PRODUCT # CONTENTS DESCRIPTION

PRODUCT #	CONTENTS	DESCRIPTION
DWMT73801	DWMT86021	6PT 1/4" Drive Socket 5/32"
	DWMT86022	6PT 1/4" Drive Socket 3/16"
	DWMT86023	6PT 1/4" Drive Socket 7/32"
	DWMT86024	6PT 1/4" Drive Socket 1/4"
	DWMT86025	6PT 1/4" Drive Socket 9/32"
	DWMT86026	6PT 1/4" Drive Socket 5/16"
	DWMT86027	6PT 1/4" Drive Socket 11/32"
	DWMT86028	6PT 1/4" Drive Socket 3/8"
	DWMT86101	6PT 1/4" Drive Socket 4 mm
	DWMT86102	6PT 1/4" Drive Socket 5 mm
	DWMT86103	6PT 1/4" Drive Socket 6 mm
	DWMT86104	6PT 1/4" Drive Socket 7 mm
	DWMT86105	6PT 1/4" Drive Socket 8 mm
	DWMT86106	6PT 1/4" Drive Socket 9 mm
	DWMT86107	6PT 1/4" Drive Socket 10 mm
	DWMT86108	6PT 1/4" Drive Socket 11 mm
	DWMT86046	6PT 1/4" Drive Deep Socket 11/32"
	DWMT86047	6PT 1/4" Drive Deep Socket 3/8"
	DWMT86048	6PT 1/4" Drive Deep Socket 7/16"
	DWMT86049	6PT 1/4" Drive Deep Socket 1/2"
	DWMT86098	6PT 1/4" Drive Deep Socket 10 mm
	DWMT86099	6PT 1/4" Drive Deep Socket 11 mm
	DWMT86100	6PT 1/4" Drive Deep Socket 12 mm
	DWMT86116	6PT 1/4" Drive Deep Socket 13 mm
	DWMT88976	6PT 3/8" Drive Socket 3/8"
	DWMT88977	6PT 3/8" Drive Socket 7/16"
	DWMT88978	6PT 3/8" Drive Socket 1/2"
	DWMT88979	6PT 3/8" Drive Socket 9/16"
	DWMT88980	6PT 3/8" Drive Socket 5/8"
	DWMT88981	6PT 3/8" Drive Socket 11/16"
	DWMT88982	6PT 3/8" Drive Socket 3/4"
	DWMT86305	6PT 3/8" Drive Socket 10 mm
	DWMT86306	6PT 3/8" Drive Socket 11 mm
	DWMT86307	6PT 3/8" Drive Socket 12 mm
	DWMT86308	6PT 3/8" Drive Socket 13 mm
	DWMT86309	6PT 3/8" Drive Socket 14 mm
	DWMT86310	6PT 3/8" Drive Socket 15 mm
	DWMT86311	6PT 3/8" Drive Socket 16 mm
	DWMT86312	6PT 3/8" Drive Socket 17 mm
	DWMT88988	6PT 3/8" Drive Deep Socket 9/16"
	DWMT88989	6PT 3/8" Drive Deep Socket 5/8"



CONTENTS	DESCRIPTION
DWMT88990	6PT 3/8" Drive Deep Socket 11/16"
DWMT88991	6PT 3/8" Drive Deep Socket 3/4"
DWMT86326	6PT 3/8" Drive Deep Socket 14 mm
DWMT86327	6PT 3/8" Drive Deep Socket 15 mm
DWMT88825	6PT 3/8" Drive Deep Socket 16 mm
DWMT86328	6PT 3/8" Drive Deep Socket 17 mm
DWMT75311	3/8" X 1/4" Reducing Adapter
DWMT86006	1/4" Drive 3" Extension
DWMT86206	3/8" Drive 3" Extension
DWMT71803	1/4 Drive Pear Head Ratchet
DWMT71804	3/8 Drive Pear Head Ratchet

CONTENTS	DESCRIPTION
DWMT72591	14 Piece Standard Hex Key Set
DWMT72592	14 Piece Metric Hex Key Set
--	5/32" Nut Driver Bit
--	3/16" Nut Driver Bit
--	7/32" Nut Driver Bit
--	1/4" Nut Driver Bit
--	9/32" Nut Driver Bit
--	Vinyl Grip Multi Driver
--	22 Piece Bit Set with Storage Case

1/4" DRIVE SOCKET SETS

- DirectTorque™ Technology
- Polished chrome vanadium finish
- Hard stamped markings
- Light-weight carrying case with metal latches
- IP65 rated water seal

61 PIECE 1/4" & 3/8" DRIVE COMBINATION SOCKET SET - 6 POINT

PRODUCT #	CONTENTS	DESCRIPTION
DWMT19257		
	DWMT86101	6PT 1/4" Drive Socket 4 mm
	DWMT86102	6PT 1/4" Drive Socket 5 mm
	DWMT86103	6PT 1/4" Drive Socket 6 mm
	DWMT86104	6PT 1/4" Drive Socket 7 mm
	DWMT86105	6PT 1/4" Drive Socket 8 mm
	DWMT86106	6PT 1/4" Drive Socket 9 mm
	DWMT86107	6PT 1/4" Drive Socket 10 mm
	DWMT88964	6PT 1/4" Drive Deep Socket 3/16"
	DWMT88934	6PT 1/4" Drive Deep Socket 7/32"
	DWMT86043	6PT 1/4" Drive Deep Socket 1/4"
	DWMT86044	6PT 1/4" Drive Deep Socket 9/32"
	DWMT86045	6PT 1/4" Drive Deep Socket 5/16"
	DWMT86046	6PT 1/4" Drive Deep Socket 11/32"
	DWMT86047	6PT 1/4" Drive Deep Socket 3/8"
	DWMT86303	6PT 3/8" Drive Socket 8 mm
	DWMT86304	6PT 3/8" Drive Socket 9 mm
	DWMT86305	6PT 3/8" Drive Socket 10 mm
	DWMT86306	6PT 3/8" Drive Socket 11 mm
	DWMT86307	6PT 3/8" Drive Socket 12 mm
	DWMT86308	6PT 3/8" Drive Socket 13 mm
	DWMT86309	6PT 3/8" Drive Socket 14 mm
	DWMT86310	6PT 3/8" Drive Socket 15 mm
	DWMT86311	6PT 3/8" Drive Socket 16 mm
	DWMT86312	6PT 3/8" Drive Socket 17 mm
	DWMT86313	6PT 3/8" Drive Socket 18 mm
	DWMT86314	6PT 3/8" Drive Socket 19 mm
	DWMT88976	6PT 3/8" Drive Socket 3/8"
	DWMT88977	6PT 3/8" Drive Socket 7/16"
	DWMT88978	6PT 3/8" Drive Socket 1/2"
	DWMT88979	6PT 3/8" Drive Socket 9/16"
	DWMT88980	6PT 3/8" Drive Socket 5/8"
	DWMT88981	6PT 3/8" Drive Socket 11/16"
	DWMT88982	6PT 3/8" Drive Socket 3/4"
	DWMT86380	6PT 3/8" Drive Spark Plug Socket 5/8
	DWMT86381	6PT 3/8" Drive Spark Plug Socket 13/16"
	DWMT75277	1/4" Drive Flex Handle
	DWMT17134	1/4" Drive Spark Plug Ring - Clip Bit Holder
	DWMT17131	3/8" Drive Pear Head Ratchet
	DWMT86206	3/8" Drive 3" Extension
	DWMT86207	3/8" Drive 6" Extension



CONTENTS	DESCRIPTION
DWMT17138	3/8" Drive Sliding T-Handle
DWMT86211	3/8" Drive Universal Joint
DWMT75311	3/8" F X 1/4 M Adapter
--	Pozi Drive #1 Bit
--	Pozi Drive #2 Bit
--	Pozi Drive #3 Bit
--	T10 Torx [®] Bit
--	T15 Torx [®] Bit
--	T20 Torx [®] Bit
--	T25 Torx [®] Bit
--	T30 Torx [®] Bit

CONTENTS	DESCRIPTION
--	T40 Torx [®] Bit
--	3 mm Hex Bit
--	4 mm Hex Bit
--	5 mm Hex Bit
--	4 mm Flat Bit
--	5.5 mm Flat Bit
--	6 mm Flat Bit
--	Phillips #1 Bit
--	Phillips #2 Bit
--	Phillips #3 Bit

Torx[®] is a trademark of Acument Intellectual Properties, LLC

1/4" DRIVE SOCKET SETS

- DirectTorque™ Technology
- Polished chrome vanadium finish
- Hard stamped markings

34 PIECE 1/4" & 3/8" DRIVE SOCKET SET

- Interlocking stackable case with removable inner tray



PRODUCT #	CONTENTS	DESCRIPTION
DWMT73804		
	DWMT86021	6PT 1/4" Drive Socket 5/32"
	DWMT86022	6PT 1/4" Drive Socket 3/16"
	DWMT86023	6PT 1/4" Drive Socket 7/32"
	DWMT86024	6PT 1/4" Drive Socket 1/4"
	DWMT86025	6PT 1/4" Drive Socket 9/32"
	DWMT86026	6PT 1/4" Drive Socket 5/16"
	DWMT86028	6PT 1/4" Drive Socket 3/8"
	DWMT86102	6PT 1/4" Drive Socket 5 mm
	DWMT86103	6PT 1/4" Drive Socket 6 mm
	DWMT86104	6PT 1/4" Drive Socket 7 mm
	DWMT86105	6PT 1/4" Drive Socket 8 mm
	DWMT86106	6PT 1/4" Drive Socket 9 mm
	DWMT86107	6PT 1/4" Drive Socket 10 mm
	DWMT86108	6PT 1/4" Drive Socket 11 mm

CONTENTS	DESCRIPTION
DWMT88977	6PT 3/8" Drive Socket 7/16"
DWMT88978	6PT 3/8" Drive Socket 1/2"
DWMT88979	6PT 3/8" Drive Socket 9/16"
DWMT88980	6PT 3/8" Drive Socket 5/8"
DWMT88981	6PT 3/8" Drive Socket 11/16"
DWMT88982	6PT 3/8" Drive Socket 3/4"
DWMT88983	6PT 3/8" Drive Socket 13/16"
DWMT88984	6PT 3/8" Drive Socket 7/8"
DWMT86307	6PT 3/8" Drive Socket 12 mm
DWMT86308	6PT 3/8" Drive Socket 13 mm
DWMT86309	6PT 3/8" Drive Socket 14 mm
DWMT86310	6PT 3/8" Drive Socket 15 mm
DWMT86311	6PT 3/8" Drive Socket 16 mm
DWMT86312	6PT 3/8" Drive Socket 17 mm
DWMT86313	6PT 3/8" Drive Socket 18 mm

CONTENTS	DESCRIPTION
DWMT86314	6PT 3/8" Drive Socket 19 mm
DWMT86206	3/8" Drive 3" Extension
DWMT75311	3/8" X 1/4" Reducing Adapter
DWMT71804	3/8 Drive Pear Head Ratchet
--	3/8" Drive Drill Adapter

15 PIECE 1/4" & 3/8" DRIVE TOOL ACCESSORY SET

- Interlocking stackable case with removable inner tray



PRODUCT #	CONTENTS	DESCRIPTION
DWMT73807		
	DWMT86006	1/4" Drive 3" Extension
	DWMT86007	1/4" Drive 6" Extension
	DWMT86372	1/4" Drive 10" Extension
	DWMT86206	3/8" Drive 3" Extension
	DWMT86207	3/8" Drive 6" Extension
	DWMT86208	3/8" Drive 10" Extension
	DWMT86380	3/8" Drive Spark Plug Socket 5/8"

CONTENTS	DESCRIPTION
DWMT85802	3/8" Drive Spark Plug Socket 3/4"
DWMT86381	3/8" Drive Spark Plug Socket 13/16"
DWMT86002	1/4" X 3/8" Increasing Adapter
DWMT86011	1/4" Drive Universal Joint
DWMT75311	3/8" X 1/4" Reducing Adapter
DWMT86211	3/8" Drive Universal Joint
--	1/4" Drive Drill Adapter
--	3/8" Drive Drill Adapter

7 PIECE 1/4" & 3/8" DRIVE TORX® SOCKET SET

- Injection molded rack

PRODUCT #	CONTENTS	DESCRIPTION
DWMT754230SP		
	DWMT76107	1/4" Drive Torx® Bit Socket T15
	DWMT76108	1/4" Drive Torx® Bit Socket T20
	DWMT76109	1/4" Drive Torx® Bit Socket T25

CONTENTS	DESCRIPTION
DWMT76316	1/4" Drive Torx® Bit Socket T27
DWMT76317	1/4" Drive Torx® Bit Socket T30
DWMT87145	3/8" Drive Torx® Bit Socket T40
DWMT87146	3/8" Drive Torx® Bit Socket T45

*Delayed Availability
Torx® is a trademark of Acument Intellectual Properties, LLC*

1/4" DRIVE SOCKET SETS

- DirectTorque™ Technology
- Polished chrome vanadium finish
- Hard stamped markings
- Light-weight carrying case with metal latches
- IP65 rated water seal

69 PIECE 1/4" DRIVE COMBINATION SOCKET SET - 6 POINT

PRODUCT #	CONTENTS	DESCRIPTION	CONTENTS	DESCRIPTION
DWMT19259				
	DWMT86101	6PT 1/4" Drive Socket 4 mm	DWMT86028	6PT 1/4" Drive Socket 3/8"
	DWMT19298	6PT 1/4" Drive Socket 4.5 mm	DWMT86029	6PT 1/4" Drive Socket 7/16"
	DWMT86102	6PT 1/4" Drive Socket 5 mm	DWMT86030	6PT 1/4" Drive Socket 1/2"
	DWMT19299	6PT 1/4" Drive Socket 5.5 mm	DWMT88964	6PT 1/4" Drive Deep Socket 3/16"
	DWMT86103	6PT 1/4" Drive Socket 6 mm	DWMT88934	6PT 1/4" Drive Deep Socket 7/32"
	DWMT86104	6PT 1/4" Drive Socket 7 mm	DWMT86043	6PT 1/4" Drive Deep Socket 1/4"
	DWMT86105	6PT 1/4" Drive Socket 8 mm	DWMT86044	6PT 1/4" Drive Deep Socket 9/32"
	DWMT86106	6PT 1/4" Drive Socket 9 mm	DWMT86045	6PT 1/4" Drive Deep Socket 5/16"
	DWMT86107	6PT 1/4" Drive Socket 10 mm	DWMT86046	6PT 1/4" Drive Deep Socket 11/32"
	DWMT86108	6PT 1/4" Drive Socket 11 mm	DWMT86047	6PT 1/4" Drive Deep Socket 3/8"
	DWMT86109	6PT 1/4" Drive Socket 12 mm	DWMT86048	6PT 1/4" Drive Deep Socket 7/16"
	DWMT86112	6PT 1/4" Drive Socket 13 mm	DWMT86049	6PT 1/4" Drive Deep Socket 1/2"
	DWMT86114	6PT 1/4" Drive Socket 14 mm	DWMT17130	1/4" Drive Pear Head Ratchet
	DWMT88935	6PT 1/4" Drive Deep Socket 4 mm	DWMT17132	1/4" Drive 2" Extension
	DWMT88936	6PT 1/4" Drive Deep Socket 5 mm	DWMT86007	1/4" Drive 6" Extension
	DWMT86094	6PT 1/4" Drive Deep Socket 6 mm	DWMT17133	1/4" Drive Sliding T-Handle
	DWMT86095	6PT 1/4" Drive Deep Socket 7 mm	DWMT17134	1/4" Drive Spark Plug Ring - Clip Bit Holder
	DWMT86096	6PT 1/4" Drive Deep Socket 8 mm	DWMT86011	1/4" Drive Universal Joint
	DWMT86097	6PT 1/4" Drive Deep Socket 9 mm	DWMT75277	1/4" Drive Flex Handle
	DWMT86098	6PT 1/4" Drive Deep Socket 10 mm	DWMT17183	1/4" Drive 4 mm Hex Socket
	DWMT86099	6PT 1/4" Drive Deep Socket 11 mm	DWMT79239	1/4" Drive 5.5 mm Hex Socket
	DWMT86100	6PT 1/4" Drive Deep Socket 12 mm	DWMT79240	1/4" Drive 6.5 mm Hex Socket
	DWMT86116	6PT 1/4" Drive Deep Socket 13 mm	--	Pozi Drive #1 Bit
	DWMT86022	6PT 1/4" Drive Socket 3/16"	--	Pozi Drive #2 Bit
	DWMT86023	6PT 1/4" Drive Socket 7/32"	--	Pozi Drive #3 Bit
	DWMT86024	6PT 1/4" Drive Socket 1/4"	--	T10 Torx® Bit
	DWMT86025	6PT 1/4" Drive Socket 9/32"	--	T15 Torx® Bit
	DWMT86026	6PT 1/4" Drive Socket 5/16"	--	T20 Torx® Bit
	DWMT86027	6PT 1/4" Drive Socket 11/32"	--	T25 Torx® Bit
			--	T30 Torx® Bit



CONTENTS	DESCRIPTION
--	T40 Torx® Bit
--	3 mm Hex Bit
--	4 mm Hex Bit
--	5 mm Hex Bit
--	4 mm Flat Bit
--	5.5 mm Flat Bit
--	6 mm Flat Bit
--	Phillips #1 Bit
--	Phillips #2 Bit
--	Phillips #3 Bit

Torx® is a trademark of Acument Intellectual Properties, LLC

37 PIECE 1/4" DRIVE METRIC SOCKET SET - 6 POINT

PRODUCT #	CONTENTS	DESCRIPTION	CONTENTS	DESCRIPTION
DWMT19238			--	T20 Torx® Bit
	DWMT86101	6PT 1/4" Drive Socket 4 mm	--	T25 Torx® Bit
	DWMT19298	6PT 1/4" Drive Socket 4.5 mm	--	T30 Torx® Bit
	DWMT86102	6PT 1/4" Drive Socket 5 mm	--	T40 Torx® Bit
	DWMT19299	6PT 1/4" Drive Socket 5.5 mm	--	3 mm Hex Bit
	DWMT86103	6PT 1/4" Drive Socket 6 mm	--	4 mm Hex Bit
	DWMT86104	6PT 1/4" Drive Socket 7 mm	--	5 mm Hex Bit
	DWMT86105	6PT 1/4" Drive Socket 8 mm	--	4 mm Flat Bit
	DWMT86106	6PT 1/4" Drive Socket 9 mm	--	5.5 mm Flat Bit
	DWMT86107	6PT 1/4" Drive Socket 10 mm	--	6 mm Flat Bit
	DWMT86108	6PT 1/4" Drive Socket 11 mm	--	Phillips #1 Bit
	DWMT86109	6PT 1/4" Drive Socket 12 mm	--	Phillips #2 Bit
	DWMT86112	6PT 1/4" Drive Socket 13 mm	--	Phillips #3 Bit
	DWMT86114	6PT 1/4" Drive Socket 14 mm	DWMT17130	1/4" Drive Pear Head Ratchet
	--	Pozi Drive #1 Bit	DWMT17132	1/4" Drive 2" Extension
	--	Pozi Drive #2 Bit	DWMT86006	1/4" Drive 3" Extension
	--	Pozi Drive #3 Bit	DWMT17133	1/4" Drive Sliding T-Handle
	--	T10 Torx® Bit	DWMT17134	1/4" Drive Spark Plug Ring - Clip Bit Holder
	--	T15 Torx® Bit	DWMT86011	1/4" Drive Universal Joint

Torx® is a trademark of Acument Intellectual Properties, LLC



1/4" DRIVE SOCKET SETS

- DirectTorque™ Technology
- Polished chrome vanadium finish
- Hard stamped markings
- Interlocking stackable case with removable inner tray

25 PIECE 1/4" DRIVE SOCKET SET

PRODUCT #	CONTENTS	DESCRIPTION
DWMT73805		
DWMT86021	6PT 1/4" Drive Socket	5/32"
DWMT86022	6PT 1/4" Drive Socket	3/16"
DWMT86023	6PT 1/4" Drive Socket	7/32"
DWMT86024	6PT 1/4" Drive Socket	1/4"
DWMT86025	6PT 1/4" Drive Socket	9/32"
DWMT86026	6PT 1/4" Drive Socket	5/16"
DWMT86027	6PT 1/4" Drive Socket	11/32"
DWMT86028	6PT 1/4" Drive Socket	3/8"
DWMT86029	6PT 1/4" Drive Socket	7/16"
DWMT86030	6PT 1/4" Drive Socket	1/2"
DWMT85861	6PT 1/4" Drive Socket	9/16"
DWMT86101	6PT 1/4" Drive Socket	4 mm
DWMT86102	6PT 1/4" Drive Socket	5 mm
DWMT86103	6PT 1/4" Drive Socket	6 mm
DWMT86104	6PT 1/4" Drive Socket	7 mm
DWMT86105	6PT 1/4" Drive Socket	8 mm
DWMT86106	6PT 1/4" Drive Socket	9 mm
DWMT86107	6PT 1/4" Drive Socket	10 mm
DWMT86108	6PT 1/4" Drive Socket	11 mm
DWMT86109	6PT 1/4" Drive Socket	12 mm
DWMT86112	6PT 1/4" Drive Socket	13 mm
DWMT86114	6PT 1/4" Drive Socket	14 mm
DWMT71803	1/4 Drive Pear Head Ratchet	
DWMT86006	1/4" Drive 3" Extension	
--	1/4" Drive Drill Adapter	



20 PIECE 1/4" DRIVE DEEP COMBINATION SOCKET SET

PRODUCT #	CONTENTS	DESCRIPTION
DWMT73811		
DWMT88964	6PT 1/4" Drive Deep Socket	3/16"
DWMT86043	6PT 1/4" Drive Deep Socket	1/4"
DWMT89820	6PT 1/4" Drive Deep Socket	5/32"
DWMT86044	6PT 1/4" Drive Deep Socket	9/32"
DWMT86045	6PT 1/4" Drive Deep Socket	5/16"
DWMT86046	6PT 1/4" Drive Deep Socket	11/32"
DWMT86047	6PT 1/4" Drive Deep Socket	3/8"
DWMT86048	6PT 1/4" Drive Deep Socket	7/16"
DWMT86049	6PT 1/4" Drive Deep Socket	1/2"
DWMT88935	6PT 1/4" Drive Deep Socket	4 mm
DWMT88936	6PT 1/4" Drive Deep Socket	5 mm
DWMT86094	6PT 1/4" Drive Deep Socket	6 mm
DWMT86095	6PT 1/4" Drive Deep Socket	7 mm
DWMT86096	6PT 1/4" Drive Deep Socket	8 mm
DWMT86097	6PT 1/4" Drive Deep Socket	9 mm
DWMT86098	6PT 1/4" Drive Deep Socket	10 mm
DWMT86099	6PT 1/4" Drive Deep Socket	11 mm
DWMT86100	6PT 1/4" Drive Deep Socket	12 mm
DWMT86116	6PT 1/4" Drive Deep Socket	13 mm
DWMT86289	6PT 1/4" Drive Deep Socket	14 mm



1/4" DRIVE SOCKETS

- DirectTorque™ Technology
- Polished chrome vanadium finish
- Hard stamped markings
- Knurled control ring



1/4" DRIVE SOCKETS - 6 POINT

BULK PRODUCT #	RETAIL PRODUCT #	SIZE	NUT END OUTSIDE DIA (B)	DRIVE END OUTSIDE DIA (C)	NUT DEPTH (D)	BOLT CLEARANCE DEPTH (E)	OVERALL LENGTH (L)	WEIGHT
DWMT86021B	DWMT86021OSP	5/32"	9/32"	15/32"	5/32"	21/32"	31/32"	0.02 lbs
DWMT86022B	DWMT86022OSP	3/16"	5/16"	15/32"	5/32"	21/32"	31/32"	0.02 lbs
DWMT86023B	DWMT86023OSP	7/32"	11/32"	15/32"	5/32"	21/32"	31/32"	0.02 lbs
DWMT86024B	DWMT86024OSP	1/4"	13/32"	15/32"	3/16"	21/32"	31/32"	0.03 lbs
DWMT86025B	DWMT86025OSP	9/32"	7/16"	15/32"	5/32"	7/32"	31/32"	0.03 lbs
DWMT86026B	DWMT86026OSP	5/16"	15/32"	15/32"	5/32"	7/32"	31/32"	0.03 lbs
DWMT86027B	DWMT86027OSP	11/32"	17/32"	17/32"	3/16"	1/4"	31/32"	0.04 lbs
DWMT86028B	DWMT86028OSP	3/8"	19/32"	19/32"	3/16"	1/4"	31/32"	0.04 lbs
DWMT86029B	DWMT86029OSP	7/16"	5/8"	5/8"	1/4"	11/32"	31/32"	0.05 lbs
DWMT86030B	DWMT86030OSP	1/2"	11/16"	11/16"	9/32"	13/32"	31/32"	0.06 lbs
DWMT85861B	DWMT85861OSP	9/16"	25/32"	25/32"	13/32"	1/2"	31/32"	0.07 lbs

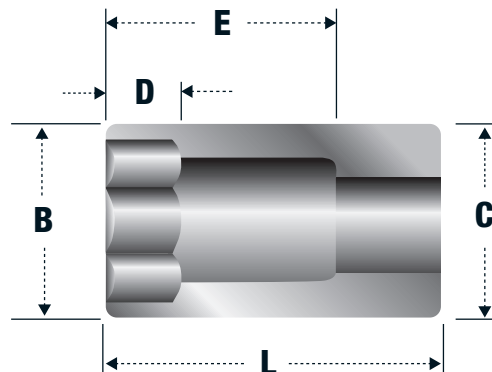
ASME B107.110

1/4" DRIVE METRIC SOCKETS - 6 POINT



BULK PRODUCT #	RETAIL PRODUCT #	SIZE	NUT END OUTSIDE DIA (B)	DRIVE END OUTSIDE DIA (C)	NUT DEPTH (D)	BOLT CLEARANCE DEPTH (E)	OVERALL LENGTH (L)	WEIGHT
DWMT86101B	DWMT86101OSP	4 mm	9/32"	15/32"	5/32"	21/32"	31/32"	0.02 lbs
DWMT19298B	--	4.5 mm	9/32"	15/32"	5/32"	21/32"	31/32"	0.03 lbs
DWMT86102B	DWMT86102OSP	5 mm	5/16"	15/32"	5/32"	21/32"	31/32"	0.02 lbs
DWMT19299B	--	5.5 mm	11/32"	15/32"	5/32"	21/32"	31/32"	0.03 lbs
DWMT86103B	DWMT86103OSP	6 mm	3/8"	15/32"	3/16"	21/32"	31/32"	0.03 lbs
DWMT86104B	DWMT86104OSP	7 mm	7/16"	15/32"	7/32"	7/32"	31/32"	0.03 lbs
DWMT86105B	DWMT86105OSP	8 mm	15/32"	15/32"	7/32"	7/32"	31/32"	0.03 lbs
DWMT86106B	DWMT86106OSP	9 mm	17/32"	17/32"	1/4"	1/4"	31/32"	0.03 lbs
DWMT86107B	DWMT86107OSP	10 mm	19/32"	19/32"	9/32"	9/32"	31/32"	0.04 lbs
DWMT86108B	DWMT86108OSP	11 mm	5/8"	5/8"	5/16"	5/16"	31/32"	0.05 lbs
DWMT86109B	DWMT86109OSP	12 mm	21/32"	21/32"	5/16"	3/8"	31/32"	0.06 lbs
DWMT86112B	DWMT86112OSP	13 mm	11/16"	11/16"	5/16"	13/32"	31/32"	0.06 lbs
DWMT86114B	DWMT86114OSP	14 mm	25/32"	25/32"	13/32"	1/2"	31/32"	0.08 lbs

ASME B107.110



1/4" DRIVE SOCKETS

- DirectTorque™ Technology
- Polished chrome vanadium finish
- Hard stamped markings
- Knurled control ring



1/4" DRIVE DEEP SOCKETS - 6 POINT

BULK PRODUCT #	RETAIL PRODUCT #	SIZE	NUT END OUTSIDE DIA (B)	DRIVE END OUTSIDE DIA (C)	NUT DEPTH (D)	BOLT CLEARANCE DEPTH (E)	OVERALL LENGTH (L)	WEIGHT
DWMT89820B	DWMT898200SP	5/32"	9/32"	15/32"	3/16"	1-5/8"	1-15/16"	0.05 lbs
DWMT88964B	DWMT889640SP	3/16"	5/16"	15/32"	3/16"	1-5/8"	1-15/16"	0.05 lbs
DWMT88934B	DWMT889340SP	7/32"	11/32"	15/32"	7/32"	1-5/8"	1-15/16"	0.05 lbs
DWMT86043B	DWMT860430SP	1/4"	13/32"	15/32"	1/4"	1-5/8"	1-15/16"	0.05 lbs
DWMT86044B	DWMT860440SP	9/32"	7/16"	15/32"	1/4"	1-5/8"	1-15/16"	0.05 lbs
DWMT86045B	DWMT860450SP	5/16"	15/32"	15/32"	13/32"	1-5/8"	1-15/16"	0.06 lbs
DWMT86046B	DWMT860460SP	11/32"	1/2"	1/2"	7/16"	1-3/8"	1-15/16"	0.07 lbs
DWMT86047B	DWMT860470SP	3/8"	9/16"	9/16"	1/2"	1-3/8"	1-15/16"	0.09 lbs
DWMT86048B	DWMT860480SP	7/16"	5/8"	5/8"	9/16"	1-3/8"	1-15/16"	0.09 lbs
DWMT86049B	DWMT860490SP	1/2"	11/16"	11/16"	21/32"	1-3/8"	1-15/16"	0.11 lbs
DWMT85860B	DWMT858600SP	9/16"	25/32"	25/32"	3/4"	1-3/8"	1-15/16"	0.15 lbs

ASME B107.110

1/4" DRIVE DEEP METRIC SOCKETS - 6 POINT



BULK PRODUCT #	RETAIL PRODUCT #	SIZE	NUT END OUTSIDE DIA (B)	DRIVE END OUTSIDE DIA (C)	NUT DEPTH (D)	BOLT CLEARANCE DEPTH (E)	OVERALL LENGTH (L)	WEIGHT
DWMT88935B	DWMT889350SP	4 mm	9/32"	15/32"	3/16"	1-5/8"	1-15/16"	0.05 lbs
DWMT88936B	DWMT889360SP	5 mm	5/16"	15/32"	7/32"	1-5/8"	1-15/16"	0.05 lbs
DWMT86094B	DWMT860940SP	6 mm	3/8"	15/32"	1/4"	1-5/8"	1-15/16"	0.05 lbs
DWMT86095B	DWMT860950SP	7 mm	7/16"	15/32"	13/32"	1-5/8"	1-15/16"	0.05 lbs
DWMT86096B	DWMT860960SP	8 mm	15/32"	15/32"	13/32"	1-5/8"	1-15/16"	0.06 lbs
DWMT86097B	DWMT860970SP	9 mm	1/2"	1/2"	7/16"	1-3/8"	1-15/16"	0.06 lbs
DWMT86098B	DWMT860980SP	10 mm	9/16"	9/16"	1/2"	1-3/8"	1-15/16"	0.08 lbs
DWMT86099B	DWMT860990SP	11 mm	5/8"	5/8"	9/16"	1-3/8"	1-15/16"	0.09 lbs
DWMT86100B	DWMT861000SP	12 mm	21/32"	21/32"	19/32"	1-3/8"	1-15/16"	0.10 lbs
DWMT86116B	DWMT861160SP	13 mm	11/16"	11/16"	21/32"	1-3/8"	1-15/16"	0.11 lbs
DWMT86289B	DWMT862890SP	14 mm	25/32"	25/32"	3/4"	1-3/8"	1-15/16"	0.15 lbs

ASME B107.110

1/4" DRIVE HEX BIT SOCKETS

BULK PRODUCT #	SIZE	BIT LENGTH	OVERALL LENGTH (L)	WEIGHT
DWMT17182B	3 mm	19/32"	1-5/16"	0.02 lbs
DWMT17183B	4 mm	19/32"	1-5/16"	0.02 lbs
DWMT17184B	5 mm	19/32"	1-5/16"	0.02 lbs

ANSI B18.3.2M



**DIRECT
TORQUE**

DirectTorque™ Technology

All sockets and box ends of wrenches incorporate DEWALT® DirectTorque™ Technology into the design of the tools. This unique design allows greater contact with the flat surface areas of fasteners, providing greater torque to make tightening and loosening easy. Conventional sockets and box ends of wrenches damage fasteners by concentrating force on the corners. DEWALT® DirectTorque™ Technology spreads force over a larger contact area, reducing rounding and extending fastener life. Tools with DEWALT® DirectTorque™ Technology are particularly useful on already worn or rounded fasteners.





3/8" DRIVE MECHANICS TOOLS

Multi-Drive Mechanics Tool Sets 20
 3/8" Drive Mechanics Tool Sets 27
 3/8" Drive Sockets – 6 Point 31
 3/8" Drive Metric Sockets – 6 Point 31
 3/8" Drive Deep Sockets – 6 Point 31
 3/8" Drive Deep Metric Sockets – 6 Point 32
 3/8" Drive Spark Plug Sockets – 6 Point 32
 3/8" Drive Sockets – 12 Point 32
 3/8" Drive Metric Sockets – 12 Point 33
 3/8" Drive Deep Sockets – 12 Point 33
 3/8" Drive Deep Metric Sockets – 12 Point 34
 3/8" Drive External TORX® Sockets 34
 3/8" Drive Hex Bit Sockets 34
 3/8" Drive Metric Hex Bit Sockets 35
 3/8" Drive Phillips Screwdriver Bit Sockets 35
 3/8" Drive Slotted Screwdriver Bit Sockets 35
 3/8" Drive TORX® Bit Sockets 35

3/8" DRIVE SOCKET SETS

- DirectTorque™ Technology
- Polished chrome vanadium finish
- Hard stamped markings
- 72 tooth ratchet with 5 degree arc swing
- Light-weight carrying case with metal latches

192 PIECE 1/4", 3/8" & 1/2" DRIVE MECHANICS TOOLS SET

PRODUCT #	CONTENTS	DESCRIPTION
DWMT75049		
DWMT86021	6PT 1/4" Drive Socket 5/32"	
DWMT86022	6PT 1/4" Drive Socket 3/16"	
DWMT86023	6PT 1/4" Drive Socket 7/32"	
DWMT86024	6PT 1/4" Drive Socket 1/4"	
DWMT86025	6PT 1/4" Drive Socket 9/32"	
DWMT86026	6PT 1/4" Drive Socket 5/16"	
DWMT86027	6PT 1/4" Drive Socket 11/32"	
DWMT86028	6PT 1/4" Drive Socket 3/8"	
DWMT86029	6PT 1/4" Drive Socket 7/16"	
DWMT86030	6PT 1/4" Drive Socket 1/2"	
DWMT85861	6PT 1/4" Drive Socket 9/16"	
DWMT86101	6PT 1/4" Drive Socket 4 mm	
DWMT86102	6PT 1/4" Drive Socket 5 mm	
DWMT86103	6PT 1/4" Drive Socket 6 mm	
DWMT86104	6PT 1/4" Drive Socket 7 mm	
DWMT86105	6PT 1/4" Drive Socket 8 mm	
DWMT86106	6PT 1/4" Drive Socket 9 mm	
DWMT86107	6PT 1/4" Drive Socket 10 mm	
DWMT86108	6PT 1/4" Drive Socket 11 mm	
DWMT86109	6PT 1/4" Drive Socket 12 mm	
DWMT86112	6PT 1/4" Drive Socket 13 mm	
DWMT86114	6PT 1/4" Drive Socket 14 mm	



3/8" DRIVE SOCKET SETS

192 PIECE SET, CONT'D

PRODUCT #	CONTENTS	DESCRIPTION	CONTENTS	DESCRIPTION	CONTENTS	DESCRIPTION
DWMT75049	DWMT89820	6PT 1/4" Drive Deep Socket 5/32"	DWMT70840	6PT 3/8" Drive Deep Socket 1/4"	DWMT89532	6PT 1/2" Drive Deep Socket 7/16"
	DWMT88964	6PT 1/4" Drive Deep Socket 3/16"	DWMT80016	6PT 3/8" Drive Deep Socket 15/16"	DWMT88945	6PT 1/2" Drive Deep Socket 1/2"
	DWMT86043	6PT 1/4" Drive Deep Socket 1/4"	DWMT88985	6PT 3/8" Drive Deep Socket 3/8"	DWMT88946	6PT 1/2" Drive Deep Socket 9/16"
	DWMT86044	6PT 1/4" Drive Deep Socket 9/32"	DWMT88986	6PT 3/8" Drive Deep Socket 7/16"	DWMT88947	6PT 1/2" Drive Deep Socket 5/8"
	DWMT86045	6PT 1/4" Drive Deep Socket 5/16"	DWMT88987	6PT 3/8" Drive Deep Socket 1/2"	DWMT88948	6PT 1/2" Drive Deep Socket 11/16"
	DWMT86046	6PT 1/4" Drive Deep Socket 11/32"	DWMT88988	6PT 3/8" Drive Deep Socket 9/16"	DWMT88949	6PT 1/2" Drive Deep Socket 3/4"
	DWMT86047	6PT 1/4" Drive Deep Socket 3/8"	DWMT88989	6PT 3/8" Drive Deep Socket 5/8"	DWMT88950	6PT 1/2" Drive Deep Socket 13/16"
	DWMT86048	6PT 1/4" Drive Deep Socket 7/16"	DWMT88990	6PT 3/8" Drive Deep Socket 11/16"	DWMT88951	6PT 1/2" Drive Deep Socket 7/8"
	DWMT86049	6PT 1/4" Drive Deep Socket 1/2"	DWMT88991	6PT 3/8" Drive Deep Socket 3/4"	DWMT88952	6PT 1/2" Drive Deep Socket 15/16"
	DWMT88935	6PT 1/4" Drive Deep Socket 4 mm	DWMT88992	6PT 3/8" Drive Deep Socket 13/16"	DWMT88953	6PT 1/2" Drive Deep Socket 1"
	DWMT88936	6PT 1/4" Drive Deep Socket 5 mm	DWMT88971	6PT 3/8" Drive Deep Socket 7/8"	DWMT93528	6PT 1/2" Drive Deep Socket 13 mm
	DWMT86094	6PT 1/4" Drive Deep Socket 6 mm	DWMT86322	6PT 3/8" Drive Deep Socket 10 mm	DWMT93529	6PT 1/2" Drive Deep Socket 14 mm
	DWMT86095	6PT 1/4" Drive Deep Socket 7 mm	DWMT86323	6PT 3/8" Drive Deep Socket 11 mm	DWMT93530	6PT 1/2" Drive Deep Socket 15 mm
	DWMT86096	6PT 1/4" Drive Deep Socket 8 mm	DWMT86324	6PT 3/8" Drive Deep Socket 12 mm	DWMT93531	6PT 1/2" Drive Deep Socket 16 mm
	DWMT86097	6PT 1/4" Drive Deep Socket 9 mm	DWMT86325	6PT 3/8" Drive Deep Socket 13 mm	DWMT93532	6PT 1/2" Drive Deep Socket 17 mm
	DWMT86098	6PT 1/4" Drive Deep Socket 10 mm	DWMT86326	6PT 3/8" Drive Deep Socket 14 mm	DWMT93533	6PT 1/2" Drive Deep Socket 18 mm
	DWMT86099	6PT 1/4" Drive Deep Socket 11 mm	DWMT86327	6PT 3/8" Drive Deep Socket 15 mm	DWMT93534	6PT 1/2" Drive Deep Socket 19 mm
	DWMT86100	6PT 1/4" Drive Deep Socket 12 mm	DWMT88825	6PT 3/8" Drive Deep Socket 16 mm	DWMT93535	6PT 1/2" Drive Deep Socket 21 mm
	DWMT86116	6PT 1/4" Drive Deep Socket 13 mm	DWMT86328	6PT 3/8" Drive Deep Socket 17 mm	DWMT93536	6PT 1/2" Drive Deep Socket 22 mm
	DWMT86289	6PT 1/4" Drive Deep Socket 14 mm	DWMT94955	6PT 3/8" Drive Deep Socket 18 mm	DWMT96370	6PT 1/2" Drive Deep Socket 24 mm
	DWMT71803	1/4 Drive Pear Head Ratchet	DWMT94961	6PT 3/8" Drive Deep Socket 19 mm	DWMT71805	1/2 Drive Pear Head Ratchet
	DWMT86006	1/4" Drive 3" Extension	DWMT96362	6PT 3/8" Drive Deep Socket 21 mm	DWMT86406	1/2" Drive 2.5" Extension
	DWMT86007	1/4" Drive 6" Extension	DWMT71804	3/8 Drive Pear Head Ratchet	DWMT86407	1/2" Drive 5" Extension
	DWMT86372	1/4" Drive 10" Extension	DWMT86206	3/8" Drive 3" Extension	DWMT86408	1/2" Drive 10" Extension
	DWMT86002	1/4" X 3/8" Increasing Adapter	DWMT86207	3/8" Drive 6" Extension	DWMT86411	1/2" Drive Universal Joint
	DWMT86011	1/4" Drive Universal Joint	DWMT86208	3/8" Drive 10" Extension	DWMT86414	1/2" Drive Adapter 1/2" to 3/8"
	DWMT86255	6PT 3/8" Drive Socket 1/4"	DWMT86211	3/8" Drive Universal Joint	DWMT86380	3/8" Drive Spark Plug Socket 5/8"
	DWMT86256	6PT 3/8" Drive Socket 5/16"	DWMT75311	3/8" X 1/4" Reducing Adapter	DWMT85802	3/8" Drive Spark Plug Socket 3/4"
	DWMT88976	6PT 3/8" Drive Socket 3/8"	DWMT86443	6PT 1/2" Drive Socket 7/16"	DWMT86381	6PT 3/8" Drive Spark Plug Socket 13/16"
	DWMT88977	6PT 3/8" Drive Socket 7/16"	DWMT86444	6PT 1/2" Drive Socket 1/2"	DWMT86388	3/8" Drive Hex Bit Socket 5/32"
	DWMT88978	6PT 3/8" Drive Socket 1/2"	DWMT86445	6PT 1/2" Drive Socket 9/16"	DWMT86389	3/8" Drive Hex Bit Socket 3/16"
	DWMT88979	6PT 3/8" Drive Socket 9/16"	DWMT88766	6PT 1/2" Drive Socket 5/8"	DWMT86391	3/8" Drive Hex Bit Socket 1/4"
	DWMT88980	6PT 3/8" Drive Socket 5/8"	DWMT86448	6PT 1/2" Drive Socket 11/16"	DWMT86392	3/8" Drive Hex Bit Socket 5/16"
	DWMT88981	6PT 3/8" Drive Socket 11/16"	DWMT86449	6PT 1/2" Drive Socket 3/4"	DWMT87971	3/8" Drive Hex Bit Socket 4 mm
	DWMT88982	6PT 3/8" Drive Socket 3/4"	DWMT86451	6PT 1/2" Drive Socket 13/16"	DWMT87972	3/8" Drive Hex Bit Socket 5 mm
	DWMT88983	6PT 3/8" Drive Socket 13/16"	DWMT86452	6PT 1/2" Drive Socket 7/8"	DWMT87973	3/8" Drive Hex Bit Socket 6 mm
	DWMT88984	6PT 3/8" Drive Socket 7/8"	DWMT86453	6PT 1/2" Drive Socket 15/16"	DWMT87974	3/8" Drive Hex Bit Socket 7 mm
	DWMT86305	6PT 3/8" Drive Socket 10 mm	DWMT86455	6PT 1/2" Drive Socket 1"	DWMT87975	3/8" Drive Hex Bit Socket 8 mm
	DWMT86306	6PT 3/8" Drive Socket 11 mm	DWMT86513	6PT 1/2" Drive Socket 13 mm	DWMT87404	3/8" Drive Torx® Bit Socket T10
	DWMT86307	6PT 3/8" Drive Socket 12 mm	DWMT86514	6PT 1/2" Drive Socket 14 mm	DWMT87141	3/8" Drive Torx® Bit Socket T15
	DWMT86308	6PT 3/8" Drive Socket 13 mm	DWMT86515	6PT 1/2" Drive Socket 15 mm	DWMT87142	3/8" Drive Torx® Bit Socket T20
	DWMT86309	6PT 3/8" Drive Socket 14 mm	DWMT88738	6PT 1/2" Drive Socket 16 mm	DWMT87143	3/8" Drive Torx® Bit Socket T25
	DWMT86310	6PT 3/8" Drive Socket 15 mm	DWMT86517	6PT 1/2" Drive Socket 17 mm	DWMT87406	3/8" Drive Torx® Bit Socket T27
	DWMT86311	6PT 3/8" Drive Socket 16 mm	DWMT86518	6PT 1/2" Drive Socket 18 mm	DWMT87144	3/8" Drive Torx® Bit Socket T30
	DWMT86312	6PT 3/8" Drive Socket 17 mm	DWMT86519	6PT 1/2" Drive Socket 19 mm	DWMT87145	3/8" Drive Torx® Bit Socket T40
	DWMT86313	6PT 3/8" Drive Socket 18 mm	DWMT86521	6PT 1/2" Drive Socket 21 mm	DWMT87146	3/8" Drive Torx® Bit Socket T45
	DWMT86314	6PT 3/8" Drive Socket 19 mm	DWMT86522	6PT 1/2" Drive Socket 22 mm	DWMT72591	14 Piece Standard Hex Key Set
	DWMT86316	6PT 3/8" Drive Socket 21 mm	DWMT86524	6PT 1/2" Drive Socket 24 mm	DWMT72592	14 Piece Metric Hex Key Set

Torx® is a trademark of Acument Intellectual Properties, LLC

3/8" DRIVE SOCKET SETS

- DirectTorque™ Technology
- Polished chrome vanadium finish
- Hard stamped markings
- Light-weight carrying case with metal latches

168 PIECE 1/4", 3/8" & 1/2" DRIVE MECHANICS TOOLS SET

PRODUCT # CONTENTS DESCRIPTION

PRODUCT #	CONTENTS	DESCRIPTION
DWMT73803		
DWMT86021	6PT 1/4" Drive Socket 5/32"	
DWMT86022	6PT 1/4" Drive Socket 3/16"	
DWMT86023	6PT 1/4" Drive Socket 7/32"	
DWMT86024	6PT 1/4" Drive Socket 1/4"	
DWMT86025	6PT 1/4" Drive Socket 9/32"	
DWMT86026	6PT 1/4" Drive Socket 5/16"	
DWMT86027	6PT 1/4" Drive Socket 11/32"	
DWMT86028	6PT 1/4" Drive Socket 3/8"	
DWMT86029	6PT 1/4" Drive Socket 7/16"	
DWMT86030	6PT 1/4" Drive Socket 1/2"	
DWMT86101	6PT 1/4" Drive Socket 4 mm	
DWMT86110	6PT 1/4" Drive Socket 4.5 mm	
DWMT86102	6PT 1/4" Drive Socket 5 mm	
DWMT86111	6PT 1/4" Drive Socket 5.5 mm	
DWMT86103	6PT 1/4" Drive Socket 6 mm	
DWMT86104	6PT 1/4" Drive Socket 7 mm	
DWMT86105	6PT 1/4" Drive Socket 8 mm	
DWMT86106	6PT 1/4" Drive Socket 9 mm	
DWMT86107	6PT 1/4" Drive Socket 10 mm	
DWMT86108	6PT 1/4" Drive Socket 11 mm	
DWMT86109	6PT 1/4" Drive Socket 12 mm	
DWMT86112	6PT 1/4" Drive Socket 13 mm	
DWMT86045	6PT 1/4" Drive Deep Socket 5/16"	
DWMT86046	6PT 1/4" Drive Deep Socket 11/32"	
DWMT86047	6PT 1/4" Drive Deep Socket 3/8"	
DWMT86048	6PT 1/4" Drive Deep Socket 7/16"	
DWMT86049	6PT 1/4" Drive Deep Socket 1/2"	
DWMT86097	6PT 1/4" Drive Deep Socket 9 mm	
DWMT86098	6PT 1/4" Drive Deep Socket 10 mm	
DWMT86099	6PT 1/4" Drive Deep Socket 11 mm	
DWMT86100	6PT 1/4" Drive Deep Socket 12 mm	
DWMT86116	6PT 1/4" Drive Deep Socket 13 mm	
DWMT86256	6PT 3/8" Drive Socket 5/16"	
DWMT88976	6PT 3/8" Drive Socket 3/8"	
DWMT88977	6PT 3/8" Drive Socket 7/16"	
DWMT88978	6PT 3/8" Drive Socket 1/2"	
DWMT88979	6PT 3/8" Drive Socket 9/16"	
DWMT88980	6PT 3/8" Drive Socket 5/8"	
DWMT88981	6PT 3/8" Drive Socket 11/16"	
DWMT88982	6PT 3/8" Drive Socket 3/4"	
DWMT88983	6PT 3/8" Drive Socket 13/16"	
DWMT88984	6PT 3/8" Drive Socket 7/8"	
DWMT86305	6PT 3/8" Drive Socket 10 mm	
DWMT86306	6PT 3/8" Drive Socket 11 mm	
DWMT86307	6PT 3/8" Drive Socket 12 mm	
DWMT86308	6PT 3/8" Drive Socket 13 mm	
DWMT86309	6PT 3/8" Drive Socket 14 mm	
DWMT86310	6PT 3/8" Drive Socket 15 mm	
DWMT86311	6PT 3/8" Drive Socket 16 mm	
DWMT86312	6PT 3/8" Drive Socket 17 mm	
DWMT86313	6PT 3/8" Drive Socket 18 mm	
DWMT86314	6PT 3/8" Drive Socket 19 mm	
DWMT88989	6PT 3/8" Drive Deep Socket 5/8"	
DWMT88990	6PT 3/8" Drive Deep Socket 11/16"	
DWMT88991	6PT 3/8" Drive Deep Socket 3/4"	
DWMT88992	6PT 3/8" Drive Deep Socket 13/16"	
DWMT88971	6PT 3/8" Drive Deep Socket 7/8"	
DWMT86327	6PT 3/8" Drive Deep Socket 15 mm	
DWMT88825	6PT 3/8" Drive Deep Socket 16 mm	
DWMT86328	6PT 3/8" Drive Deep Socket 17 mm	
DWMT94955	6PT 3/8" Drive Deep Socket 18 mm	



CONTENTS	DESCRIPTION
DWMT94961	6PT 3/8" Drive Deep Socket 19 mm
DWMT86444	6PT 1/2" Drive Socket 1/2"
DWMT86445	6PT 1/2" Drive Socket 9/16"
DWMT88766	6PT 1/2" Drive Socket 5/8"
DWMT86448	6PT 1/2" Drive Socket 11/16"
DWMT86449	6PT 1/2" Drive Socket 3/4"
DWMT86451	6PT 1/2" Drive Socket 13/16"
DWMT86452	6PT 1/2" Drive Socket 7/8"
DWMT86453	6PT 1/2" Drive Socket 15/16"
DWMT86512	6PT 1/2" Drive Socket 12 mm
DWMT86513	6PT 1/2" Drive Socket 13 mm
DWMT86514	6PT 1/2" Drive Socket 14 mm
DWMT86515	6PT 1/2" Drive Socket 15 mm
DWMT86517	6PT 1/2" Drive Socket 17 mm
DWMT86518	6PT 1/2" Drive Socket 18 mm
DWMT86519	6PT 1/2" Drive Socket 19 mm
DWMT86521	6PT 1/2" Drive Socket 21 mm
DWMT86380	3/8" Drive Spark Plug Socket 5/8"
DWMT85802	3/8" Drive Spark Plug Socket 3/4"
DWMT75311	3/8" X 1/4" Reducing Adapter
DWMT86007	1/4" Drive 6" Extension
DWMT86207	3/8" Drive 6" Extension
DWMT86407	1/2" Drive 5" Extension
DWMT86011	1/4" Drive Universal Joint
DWMT86211	3/8" Drive Universal Joint
DWMT86411	1/2" Drive Universal Joint
DWMT71803	1/4 Drive Pear Head Ratchet
DWMT71804	3/8 Drive Pear Head Ratchet
DWMT71805	1/2 Drive Pear Head Ratchet
DWMT72191	Combination Wrench 5/16"
DWMT72193	Combination Wrench 3/8"

CONTENTS	DESCRIPTION
DWMT72194	Combination Wrench 7/16"
DWMT72195	Combination Wrench 1/2"
DWMT72196	Combination Wrench 9/16"
DWMT72197	Combination Wrench 5/8"
DWMT72211	Combination Wrench 10 mm
DWMT72212	Combination Wrench 11 mm
DWMT72213	Combination Wrench 12 mm
DWMT72215	Combination Wrench 14 mm
DWMT72216	Combination Wrench 15 mm
DWMT72217	Combination Wrench 16 mm
DWMT72591	14 Piece Standard Hex Key Set
DWMT72592	14 Piece Metric Hex Key Set
--	Vinyl Grip Multi Driver
--	4 mm Nut Driver Bit
--	5 mm Nut Driver Bit
--	6 mm Nut Driver Bit
--	7 mm Nut Driver Bit
--	8 mm Nut Driver Bit
--	5/32" Nut Driver Bit
--	3/16" Nut Driver Bit
--	7/32" Nut Driver Bit
--	1/4" Nut Driver Bit
--	9/32" Nut Driver Bit
--	5/16" Nut Driver Bit
--	11/32" Nut Driver Bit
--	3/8" Nut Driver Bit
--	7/16" Nut Driver Bit
--	1/2" Nut Driver Bit
--	22 Piece Bit Set with Storage Case

3/8" DRIVE SOCKET SETS

- DirectTorque™ Technology
- Polished chrome vanadium finish
- Hard stamped markings
- Light-weight carrying case with metal latches

142 PIECE 1/4" & 3/8" DRIVE MECHANICS TOOLS SET

PRODUCT #	CONTENTS	DESCRIPTION
DWMT73802		
DWMT86022	6PT 1/4" Drive Socket 3/16"	
DWMT86023	6PT 1/4" Drive Socket 7/32"	
DWMT86024	6PT 1/4" Drive Socket 1/4"	
DWMT86025	6PT 1/4" Drive Socket 9/32"	
DWMT86026	6PT 1/4" Drive Socket 5/16"	
DWMT86027	6PT 1/4" Drive Socket 11/32"	
DWMT86028	6PT 1/4" Drive Socket 3/8"	
DWMT86029	6PT 1/4" Drive Socket 7/16"	
DWMT86030	6PT 1/4" Drive Socket 1/2"	
DWMT86102	6PT 1/4" Drive Socket 5 mm	
DWMT86103	6PT 1/4" Drive Socket 6 mm	
DWMT86104	6PT 1/4" Drive Socket 7 mm	
DWMT86105	6PT 1/4" Drive Socket 8 mm	
DWMT86106	6PT 1/4" Drive Socket 9 mm	
DWMT86107	6PT 1/4" Drive Socket 10 mm	
DWMT86108	6PT 1/4" Drive Socket 11 mm	
DWMT86109	6PT 1/4" Drive Socket 12 mm	
DWMT86112	6PT 1/4" Drive Socket 13 mm	
DWMT86045	6PT 1/4" Drive Deep Socket 5/16"	
DWMT86046	6PT 1/4" Drive Deep Socket 11/32"	
DWMT86047	6PT 1/4" Drive Deep Socket 3/8"	
DWMT86048	6PT 1/4" Drive Deep Socket 7/16"	
DWMT86049	6PT 1/4" Drive Deep Socket 1/2"	
DWMT86097	6PT 1/4" Drive Deep Socket 9 mm	
DWMT86098	6PT 1/4" Drive Deep Socket 10 mm	
DWMT86099	6PT 1/4" Drive Deep Socket 11 mm	
DWMT86100	6PT 1/4" Drive Deep Socket 12 mm	
DWMT86116	6PT 1/4" Drive Deep Socket 13 mm	
DWMT86256	6PT 3/8" Drive Socket 5/16"	
DWMT88976	6PT 3/8" Drive Socket 3/8"	
DWMT88977	6PT 3/8" Drive Socket 7/16"	
DWMT88978	6PT 3/8" Drive Socket 1/2"	
DWMT88979	6PT 3/8" Drive Socket 9/16"	
DWMT88980	6PT 3/8" Drive Socket 5/8"	
DWMT88981	6PT 3/8" Drive Socket 11/16"	
DWMT88982	6PT 3/8" Drive Socket 3/4"	
DWMT88983	6PT 3/8" Drive Socket 13/16"	
DWMT88984	6PT 3/8" Drive Socket 7/8"	
DWMT86305	6PT 3/8" Drive Socket 10 mm	
DWMT86306	6PT 3/8" Drive Socket 11 mm	
DWMT86307	6PT 3/8" Drive Socket 12 mm	
DWMT86308	6PT 3/8" Drive Socket 13 mm	
DWMT86309	6PT 3/8" Drive Socket 14 mm	
DWMT86310	6PT 3/8" Drive Socket 15 mm	
DWMT86311	6PT 3/8" Drive Socket 16 mm	
DWMT86312	6PT 3/8" Drive Socket 17 mm	
DWMT86313	6PT 3/8" Drive Socket 18 mm	
DWMT86314	6PT 3/8" Drive Socket 19 mm	
DWMT88989	6PT 3/8" Drive Deep Socket 5/8"	
DWMT88990	6PT 3/8" Drive Deep Socket 11/16"	
DWMT88991	6PT 3/8" Drive Deep Socket 3/4"	
DWMT88992	6PT 3/8" Drive Deep Socket 13/16"	



CONTENTS	DESCRIPTION
DWMT88971	6PT 3/8" Drive Deep Socket 7/8"
DWMT88825	6PT 3/8" Drive Deep Socket 16 mm
DWMT86328	6PT 3/8" Drive Deep Socket 17 mm
DWMT94955	6PT 3/8" Drive Deep Socket 18 mm
DWMT94961	6PT 3/8" Drive Deep Socket 19 mm
DWMT72193	Combination Wrench 3/8"
DWMT72194	Combination Wrench 7/16"
DWMT72195	Combination Wrench 1/2"
DWMT72196	Combination Wrench 9/16"
DWMT72197	Combination Wrench 5/8"
DWMT72211	Combination Wrench 10 mm
DWMT72212	Combination Wrench 11 mm
DWMT72214	Combination Wrench 13 mm
DWMT72215	Combination Wrench 14 mm
DWMT72216	Combination Wrench 15 mm
DWMT86002	1/4" X 3/8" Increasing Adapter
DWMT75311	3/8" X 1/4" Reducing Adapter
DWMT86380	3/8" Drive Spark Plug Socket 5/8"
DWMT86007	1/4" Drive 6" Extension
DWMT86207	3/8" Drive 6" Extension
DWMT86011	1/4" Drive Universal Joint
DWMT86211	3/8" Drive Universal Joint

CONTENTS	DESCRIPTION
DWMT71803	1/4" Drive Pear Head Ratchet
DWMT71804	3/8" Drive Pear Head Ratchet
DWMT72591	14 Piece Standard Hex Key Set
DWMT72592	14 Piece Metric Hex Key Set
--	4 mm Nut Driver Bit
--	5 mm Nut Driver Bit
--	6 mm Nut Driver Bit
--	7 mm Nut Driver Bit
--	8 mm Nut Driver Bit
--	5/32" Nut Driver Bit
--	3/16" Nut Driver Bit
--	7/32" Nut Driver Bit
--	1/4" Nut Driver Bit
--	9/32" Nut Driver Bit
--	5/16" Nut Driver Bit
--	11/32" Nut Driver Bit
--	3/8" Nut Driver Bit
--	7/16" Nut Driver Bit
--	1/2" Nut Driver Bit
--	Vinyl Grip Multi Driver
--	22 Piece Bit Set with Storage Case

3/8" DRIVE SOCKET SETS

- DirectTorque™ Technology
- Polished chrome vanadium finish
- Hard stamped markings
- Light-weight carrying case with metal latches

108 PIECE 1/4" & 3/8" DRIVE MECHANICS TOOLS SET

PRODUCT # CONTENTS DESCRIPTION

PRODUCT #	CONTENTS	DESCRIPTION
DWMT73801	DWMT86021	6PT 1/4" Drive Socket 5/32"
	DWMT86022	6PT 1/4" Drive Socket 3/16"
	DWMT86023	6PT 1/4" Drive Socket 7/32"
	DWMT86024	6PT 1/4" Drive Socket 1/4"
	DWMT86025	6PT 1/4" Drive Socket 9/32"
	DWMT86026	6PT 1/4" Drive Socket 5/16"
	DWMT86027	6PT 1/4" Drive Socket 11/32"
	DWMT86028	6PT 1/4" Drive Socket 3/8"
	DWMT86101	6PT 1/4" Drive Socket 4 mm
	DWMT86102	6PT 1/4" Drive Socket 5 mm
	DWMT86103	6PT 1/4" Drive Socket 6 mm
	DWMT86104	6PT 1/4" Drive Socket 7 mm
	DWMT86105	6PT 1/4" Drive Socket 8 mm
	DWMT86106	6PT 1/4" Drive Socket 9 mm
	DWMT86107	6PT 1/4" Drive Socket 10 mm
	DWMT86108	6PT 1/4" Drive Socket 11 mm
	DWMT86046	6PT 1/4" Drive Deep Socket 11/32"
	DWMT86047	6PT 1/4" Drive Deep Socket 3/8"
	DWMT86048	6PT 1/4" Drive Deep Socket 7/16"
	DWMT86049	6PT 1/4" Drive Deep Socket 1/2"
	DWMT86098	6PT 1/4" Drive Deep Socket 10 mm
	DWMT86099	6PT 1/4" Drive Deep Socket 11 mm
	DWMT86100	6PT 1/4" Drive Deep Socket 12 mm
	DWMT86116	6PT 1/4" Drive Deep Socket 13 mm
	DWMT88976	6PT 3/8" Drive Socket 3/8"
	DWMT88977	6PT 3/8" Drive Socket 7/16"
	DWMT88978	6PT 3/8" Drive Socket 1/2"
	DWMT88979	6PT 3/8" Drive Socket 9/16"
	DWMT88980	6PT 3/8" Drive Socket 5/8"
	DWMT88981	6PT 3/8" Drive Socket 11/16"
	DWMT88982	6PT 3/8" Drive Socket 3/4"
	DWMT86305	6PT 3/8" Drive Socket 10 mm
	DWMT86306	6PT 3/8" Drive Socket 11 mm
	DWMT86307	6PT 3/8" Drive Socket 12 mm
	DWMT86308	6PT 3/8" Drive Socket 13 mm
	DWMT86309	6PT 3/8" Drive Socket 14 mm
	DWMT86310	6PT 3/8" Drive Socket 15 mm
	DWMT86311	6PT 3/8" Drive Socket 16 mm
	DWMT86312	6PT 3/8" Drive Socket 17 mm
	DWMT88988	6PT 3/8" Drive Deep Socket 9/16"
	DWMT88989	6PT 3/8" Drive Deep Socket 5/8"



CONTENTS	DESCRIPTION
DWMT88990	6PT 3/8" Drive Deep Socket 11/16"
DWMT88991	6PT 3/8" Drive Deep Socket 3/4"
DWMT86326	6PT 3/8" Drive Deep Socket 14 mm
DWMT86327	6PT 3/8" Drive Deep Socket 15 mm
DWMT88825	6PT 3/8" Drive Deep Socket 16 mm
DWMT86328	6PT 3/8" Drive Deep Socket 17 mm
DWMT75311	3/8" X 1/4" Reducing Adapter
DWMT86006	1/4" Drive 3" Extension
DWMT86206	3/8" Drive 3" Extension
DWMT71803	1/4 Drive Pear Head Ratchet
DWMT71804	3/8 Drive Pear Head Ratchet

CONTENTS	DESCRIPTION
DWMT72591	14 Piece Standard Hex Key Set
DWMT72592	14 Piece Metric Hex Key Set
--	5/32" Nut Driver Bit
--	3/16" Nut Driver Bit
--	7/32" Nut Driver Bit
--	1/4" Nut Driver Bit
--	9/32" Nut Driver Bit
--	Vinyl Grip Multi Driver
--	22 Piece Bit Set with Storage Case

3/8" DRIVE SOCKET SETS

- DirectTorque™ Technology
- Polished chrome vanadium finish
- Hard stamped markings
- Light-weight carrying case with metal latches
- IP65 rated water seal

61 PIECE 1/4" & 3/8" DRIVE COMBINATION SOCKET SET - 6 POINT

PRODUCT #	CONTENTS	DESCRIPTION
DWMT19257		
DWMT86101	6PT 1/4" Drive Socket	4 mm
DWMT86102	6PT 1/4" Drive Socket	5 mm
DWMT86103	6PT 1/4" Drive Socket	6 mm
DWMT86104	6PT 1/4" Drive Socket	7 mm
DWMT86105	6PT 1/4" Drive Socket	8 mm
DWMT86106	6PT 1/4" Drive Socket	9 mm
DWMT86107	6PT 1/4" Drive Socket	10 mm
DWMT88964	6PT 1/4" Drive Deep Socket	3/16"
DWMT88934	6PT 1/4" Drive Deep Socket	7/32"
DWMT86043	6PT 1/4" Drive Deep Socket	1/4"
DWMT86044	6PT 1/4" Drive Deep Socket	9/32"
DWMT86045	6PT 1/4" Drive Deep Socket	5/16"
DWMT86046	6PT 1/4" Drive Deep Socket	11/32"
DWMT86047	6PT 1/4" Drive Deep Socket	3/8"
DWMT86303	6PT 3/8" Drive Socket	8 mm
DWMT86304	6PT 3/8" Drive Socket	9 mm
DWMT86305	6PT 3/8" Drive Socket	10 mm
DWMT86306	6PT 3/8" Drive Socket	11 mm
DWMT86307	6PT 3/8" Drive Socket	12 mm
DWMT86308	6PT 3/8" Drive Socket	13 mm
DWMT86309	6PT 3/8" Drive Socket	14 mm
DWMT86310	6PT 3/8" Drive Socket	15 mm
DWMT86311	6PT 3/8" Drive Socket	16 mm
DWMT86312	6PT 3/8" Drive Socket	17 mm
DWMT86313	6PT 3/8" Drive Socket	18 mm
DWMT86314	6PT 3/8" Drive Socket	19 mm
DWMT88976	6PT 3/8" Drive Socket	3/8"
DWMT88977	6PT 3/8" Drive Socket	7/16"
DWMT88978	6PT 3/8" Drive Socket	1/2"
DWMT88979	6PT 3/8" Drive Socket	9/16"
DWMT88980	6PT 3/8" Drive Socket	5/8"
DWMT88981	6PT 3/8" Drive Socket	11/16"
DWMT88982	6PT 3/8" Drive Socket	3/4"
DWMT86380	6PT 3/8" Drive Spark Plug Socket	5/8"
DWMT86381	6PT 3/8" Drive Spark Plug Socket	13/16"
DWMT75277	1/4" Drive Flex Handle	
DWMT17134	1/4" Drive Spark Plug Ring - Clip Bit Holder	
DWMT17131	3/8" Drive Pear Head Ratchet	
DWMT86206	3/8" Drive 3" Extension	
DWMT86207	3/8" Drive 6" Extension	



CONTENTS	DESCRIPTION
DWMT17138	3/8" Drive Sliding T-Handle
DWMT86211	3/8" Drive Universal Joint
DWMT75311	3/8" F X 1/4 M Adapter
--	Pozi Drive #1 Bit
--	Pozi Drive #2 Bit
--	Pozi Drive #3 Bit
--	T10 Torx® Bit
--	T15 Torx® Bit
--	T20 Torx® Bit
--	T25 Torx® Bit
--	T30 Torx® Bit

CONTENTS	DESCRIPTION
--	T40 Torx® Bit
--	3 mm Hex Bit
--	4 mm Hex Bit
--	5 mm Hex Bit
--	4 mm Flat Bit
--	5.5 mm Flat Bit
--	6 mm Flat Bit
--	Phillips #1 Bit
--	Phillips #2 Bit
--	Phillips #3 Bit

Torx® is a trademark of Acument Intellectual Properties, LLC

3/8" DRIVE SOCKET SETS

- DirectTorque™ Technology
- Polished chrome vanadium finish
- Hard stamped markings

34 PIECE 1/4" & 3/8" DRIVE SOCKET SET

- Interlocking stackable case with removable inner tray



PRODUCT #	CONTENTS	DESCRIPTION
DWMT73804		
	DWMT86021	6PT 1/4" Drive Socket 5/32"
	DWMT86022	6PT 1/4" Drive Socket 3/16"
	DWMT86023	6PT 1/4" Drive Socket 7/32"
	DWMT86024	6PT 1/4" Drive Socket 1/4"
	DWMT86025	6PT 1/4" Drive Socket 9/32"
	DWMT86026	6PT 1/4" Drive Socket 5/16"
	DWMT86028	6PT 1/4" Drive Socket 3/8"
	DWMT86102	6PT 1/4" Drive Socket 5 mm
	DWMT86103	6PT 1/4" Drive Socket 6 mm
	DWMT86104	6PT 1/4" Drive Socket 7 mm
	DWMT86105	6PT 1/4" Drive Socket 8 mm
	DWMT86106	6PT 1/4" Drive Socket 9 mm
	DWMT86107	6PT 1/4" Drive Socket 10 mm
	DWMT86108	6PT 1/4" Drive Socket 11 mm

CONTENTS	DESCRIPTION
DWMT88977	6PT 3/8" Drive Socket 7/16"
DWMT88978	6PT 3/8" Drive Socket 1/2"
DWMT88979	6PT 3/8" Drive Socket 9/16"
DWMT88980	6PT 3/8" Drive Socket 5/8"
DWMT88981	6PT 3/8" Drive Socket 11/16"
DWMT88982	6PT 3/8" Drive Socket 3/4"
DWMT88983	6PT 3/8" Drive Socket 13/16"
DWMT88984	6PT 3/8" Drive Socket 7/8"
DWMT86307	6PT 3/8" Drive Socket 12 mm
DWMT86308	6PT 3/8" Drive Socket 13 mm
DWMT86309	6PT 3/8" Drive Socket 14 mm
DWMT86310	6PT 3/8" Drive Socket 15 mm
DWMT86311	6PT 3/8" Drive Socket 16 mm
DWMT86312	6PT 3/8" Drive Socket 17 mm
DWMT86313	6PT 3/8" Drive Socket 18 mm

CONTENTS	DESCRIPTION
DWMT86314	6PT 3/8" Drive Socket 19 mm
DWMT86206	3/8" Drive 3" Extension
DWMT75311	3/8" X 1/4" Reducing Adapter
DWMT71804	3/8 Drive Pear Head Ratchet
--	3/8" Drive Drill Adapter

15 PIECE 1/4" & 3/8" DRIVE TOOL ACCESSORY SET

- Interlocking stackable case with removable inner tray



PRODUCT #	CONTENTS	DESCRIPTION
DWMT73807		
	DWMT86006	1/4" Drive 3" Extension
	DWMT86007	1/4" Drive 6" Extension
	DWMT86372	1/4" Drive 10" Extension
	DWMT86206	3/8" Drive 3" Extension
	DWMT86207	3/8" Drive 6" Extension
	DWMT86208	3/8" Drive 10" Extension
	DWMT86380	3/8" Drive Spark Plug Socket 5/8"

CONTENTS	DESCRIPTION
DWMT85802	3/8" Drive Spark Plug Socket 3/4"
DWMT86381	3/8" Drive Spark Plug Socket 13/16"
DWMT86002	1/4" X 3/8" Increasing Adapter
DWMT86011	1/4" Drive Universal Joint
DWMT75311	3/8" X 1/4" Reducing Adapter
DWMT86211	3/8" Drive Universal Joint
--	1/4" Drive Drill Adapter
--	3/8" Drive Drill Adapter

7 PIECE 1/4" & 3/8" DRIVE TORX® SOCKET SET

- Injection molded rack

PRODUCT #	CONTENTS	DESCRIPTION
DWMT754230SP		
	DWMT76107	1/4" Drive Torx® Bit Socket T15
	DWMT76108	1/4" Drive Torx® Bit Socket T20
	DWMT76109	1/4" Drive Torx® Bit Socket T25

CONTENTS	DESCRIPTION
DWMT76316	1/4" Drive Torx® Bit Socket T27
DWMT76317	1/4" Drive Torx® Bit Socket T30
DWMT87145	3/8" Drive Torx® Bit Socket T40
DWMT87146	3/8" Drive Torx® Bit Socket T45

*Delayed Availability
Torx® is a trademark of Acument Intellectual Properties, LLC*

3/8" DRIVE SOCKET SETS

- DirectTorque™ Technology
- Polished chrome vanadium finish
- Hard stamped markings
- 72 tooth ratchet with 5 degree arc swing
- Light-weight carrying case with metal latches
- IP65 rated water seal

56 PIECE 3/8" DRIVE COMBINATION SOCKET SET - 6 & 12 POINT

PRODUCT #	CONTENTS	DESCRIPTION	CONTENTS	DESCRIPTION
DWMT19252				
	DWMT19576	6PT 3/8" Drive Socket 6 mm	DWMT88982	6PT 3/8" Drive Socket 3/4"
	DWMT74534	6PT 3/8" Drive Socket 7 mm	DWMT88983	6PT 3/8" Drive Socket 13/16"
	DWMT86303	6PT 3/8" Drive Socket 8 mm	DWMT88984	6PT 3/8" Drive Socket 7/8"
	DWMT86304	6PT 3/8" Drive Socket 9 mm	DWMT19569	6PT 3/8" Drive Deep Socket 8 mm
	DWMT86305	6PT 3/8" Drive Socket 10 mm	DWMT19570	6PT 3/8" Drive Deep Socket 9 mm
	DWMT86306	6PT 3/8" Drive Socket 11 mm	DWMT86322	6PT 3/8" Drive Deep Socket 10 mm
	DWMT86307	6PT 3/8" Drive Socket 12 mm	DWMT86323	6PT 3/8" Drive Deep Socket 11 mm
	DWMT86308	6PT 3/8" Drive Socket 13 mm	DWMT86324	6PT 3/8" Drive Deep Socket 12 mm
	DWMT86309	6PT 3/8" Drive Socket 14 mm	DWMT86325	6PT 3/8" Drive Deep Socket 13 mm
	DWMT86310	6PT 3/8" Drive Socket 15 mm	DWMT86326	6PT 3/8" Drive Deep Socket 14 mm
	DWMT86311	6PT 3/8" Drive Socket 16 mm	DWMT86327	6PT 3/8" Drive Deep Socket 15 mm
	DWMT86312	6PT 3/8" Drive Socket 17 mm	DWMT88825	6PT 3/8" Drive Deep Socket 16 mm
	DWMT86313	6PT 3/8" Drive Socket 18 mm	DWMT86328	6PT 3/8" Drive Deep Socket 17 mm
	DWMT86314	6PT 3/8" Drive Socket 19 mm	DWMT94955	6PT 3/8" Drive Deep Socket 18 mm
	DWMT86316	6PT 3/8" Drive Socket 21 mm	DWMT94961	6PT 3/8" Drive Deep Socket 19 mm
	DWMT86315	6PT 3/8" Drive Socket 20 mm	DWMT74143	3/8" Drive 12PT Deep Socket 3/8"
	DWMT19575	6PT 3/8" Drive Socket 22 mm	DWMT74146	3/8" Drive 12PT Deep Socket 7/16"
	DWMT86256	6PT 3/8" Drive Socket 5/16"	DWMT74139	3/8" Drive 12PT Deep Socket 1/2"
	DWMT88976	6PT 3/8" Drive Socket 3/8"	DWMT74148	3/8" Drive 12PT Deep Socket 9/16"
	DWMT88977	6PT 3/8" Drive Socket 7/16"	DWMT74145	3/8" Drive 12PT Deep Socket 5/8"
	DWMT88978	6PT 3/8" Drive Socket 1/2"	DWMT74140	3/8" Drive 12PT Deep Socket 11/16"
	DWMT88979	6PT 3/8" Drive Socket 9/16"	DWMT74142	3/8" Drive 12PT Deep Socket 3/4"
	DWMT88980	6PT 3/8" Drive Socket 5/8"	DWMT86380	6PT 3/8" Drive Spark Plug Socket 5/8"
	DWMT88981	6PT 3/8" Drive Socket 11/16"	DWMT86381	6PT 3/8" Drive Spark Plug Socket 13/16"
			DWMT17131	3/8" Drive Pear Head Ratchet



CONTENTS	DESCRIPTION
DWMT86206	3/8" Drive 3" Extension
DWMT86207	3/8" Drive 6" Extension
DWMT86208	3/8" Drive 10" Extension
DWMT17138	3/8" Drive Sliding T-Handle
DWMT86211	3/8" Drive Universal Joint
DWMT75310	3/8" F X 1/2" M Adapter
DWMT75311	3/8" F X 1/4" M Adapter

34 PIECE 3/8" DRIVE COMBINATION SOCKET SET - 6 POINT

PRODUCT #	CONTENTS	DESCRIPTION	CONTENTS	DESCRIPTION
DWMT19250				
	DWMT19576	6PT 3/8" Drive Socket 6 mm	DWMT86380	6PT 3/8" Drive Spark Plug Socket 5/8"
	DWMT74534	6PT 3/8" Drive Socket 7 mm	DWMT86381	6PT 3/8" Drive Spark Plug Socket 13/16"
	DWMT86303	6PT 3/8" Drive Socket 8 mm	DWMT86256	6PT 3/8" Drive Socket 5/16"
	DWMT86304	6PT 3/8" Drive Socket 9 mm	DWMT88976	6PT 3/8" Drive Socket 3/8"
	DWMT86305	6PT 3/8" Drive Socket 10 mm	DWMT88977	6PT 3/8" Drive Socket 7/16"
	DWMT86306	6PT 3/8" Drive Socket 11 mm	DWMT88978	6PT 3/8" Drive Socket 1/2"
	DWMT86307	6PT 3/8" Drive Socket 12 mm	DWMT88979	6PT 3/8" Drive Socket 9/16"
	DWMT86308	6PT 3/8" Drive Socket 13 mm	DWMT88980	6PT 3/8" Drive Socket 5/8"
	DWMT86309	6PT 3/8" Drive Socket 14 mm	DWMT88981	6PT 3/8" Drive Socket 11/16"
	DWMT86310	6PT 3/8" Drive Socket 15 mm	DWMT88982	6PT 3/8" Drive Socket 3/4"
	DWMT86311	6PT 3/8" Drive Socket 16 mm	DWMT88983	6PT 3/8" Drive Socket 13/16"
	DWMT86312	6PT 3/8" Drive Socket 17 mm	DWMT88984	6PT 3/8" Drive Socket 7/8"
	DWMT86313	6PT 3/8" Drive Socket 18 mm	DWMT17131	3/8" Drive Pear Head Ratchet
	DWMT86314	6PT 3/8" Drive Socket 19 mm	DWMT86206	3/8" Drive 3" Extension
	DWMT86316	6PT 3/8" Drive Socket 21 mm	DWMT86207	3/8" Drive 6" Extension
	DWMT86315	6PT 3/8" Drive Socket 20 mm	DWMT17138	3/8" Drive Sliding T-Handle
	DWMT19575	6PT 3/8" Drive Socket 22 mm	DWMT86211	3/8" Drive Universal Joint



3/8" DRIVE SOCKET SETS

- DirectTorque™ Technology
- Polished chrome vanadium finish
- Hard stamped markings

20 PIECE 3/8" DRIVE DEEP COMBINATION SOCKET SET



PRODUCT #	CONTENTS	DESCRIPTION
DWMT73812		
	DWMT70840	6PT 3/8" Drive Deep Socket 1/4"
	DWMT80016	6PT 3/8" Drive Deep Socket 15/16"
	DWMT88985	6PT 3/8" Drive Deep Socket 3/8"
	DWMT88986	6PT 3/8" Drive Deep Socket 7/16"
	DWMT88987	6PT 3/8" Drive Deep Socket 1/2"
	DWMT88988	6PT 3/8" Drive Deep Socket 9/16"
	DWMT88989	6PT 3/8" Drive Deep Socket 5/8"
	DWMT88990	6PT 3/8" Drive Deep Socket 11/16"
	DWMT88991	6PT 3/8" Drive Deep Socket 3/4"
	DWMT88992	6PT 3/8" Drive Deep Socket 13/16"

CONTENTS	DESCRIPTION
DWMT86322	6PT 3/8" Drive Deep Socket 10 mm
DWMT86323	6PT 3/8" Drive Deep Socket 11 mm
DWMT86324	6PT 3/8" Drive Deep Socket 12 mm
DWMT86325	6PT 3/8" Drive Deep Socket 13 mm
DWMT86326	6PT 3/8" Drive Deep Socket 14 mm
DWMT86327	6PT 3/8" Drive Deep Socket 15 mm
DWMT88825	6PT 3/8" Drive Deep Socket 16 mm
DWMT86328	6PT 3/8" Drive Deep Socket 17 mm
DWMT94955	6PT 3/8" Drive Deep Socket 18 mm
DWMT94961	6PT 3/8" Drive Deep Socket 19 mm

15 PIECE 3/8" DRIVE DEEP METRIC SOCKET SET - 6 POINT

- Light-weight carrying case with metal latches
- IP65 rated water seal



PRODUCT #	CONTENTS	DESCRIPTION
DWMT19247		
	DWMT74534	6PT 3/8" Drive Socket 7 mm
	DWMT86303	6PT 3/8" Drive Socket 8 mm
	DWMT86304	6PT 3/8" Drive Socket 9 mm
	DWMT86305	6PT 3/8" Drive Socket 10 mm
	DWMT86306	6PT 3/8" Drive Socket 11 mm
	DWMT86307	6PT 3/8" Drive Socket 12 mm
	DWMT86308	6PT 3/8" Drive Socket 13 mm

CONTENTS	DESCRIPTION
DWMT86309	6PT 3/8" Drive Socket 14 mm
DWMT86310	6PT 3/8" Drive Socket 15 mm
DWMT86311	6PT 3/8" Drive Socket 16 mm
DWMT86312	6PT 3/8" Drive Socket 17 mm
DWMT86313	6PT 3/8" Drive Socket 18 mm
DWMT86314	6PT 3/8" Drive Socket 19 mm
DWMT86316	6PT 3/8" Drive Socket 21 mm
DWMT19575	6PT 3/8" Drive Socket 22 mm

13 PIECE 3/8" DRIVE SOCKET SET - 6 POINT

- Lightweight aluminum rail
- Easy slide clips



PRODUCT #	CONTENTS	DESCRIPTION
DWMT19245		
	DWMT86255	6PT 3/8" Drive Socket 1/4"
	DWMT86256	6PT 3/8" Drive Socket 5/16"
	DWMT19572	6PT 3/8" Drive Socket 11/32"
	DWMT88976	6PT 3/8" Drive Socket 3/8"
	DWMT88977	6PT 3/8" Drive Socket 7/16"
	DWMT88978	6PT 3/8" Drive Socket 1/2"

CONTENTS	DESCRIPTION
DWMT88979	6PT 3/8" Drive Socket 9/16"
DWMT88980	6PT 3/8" Drive Socket 5/8"
DWMT88981	6PT 3/8" Drive Socket 11/16"
DWMT88982	6PT 3/8" Drive Socket 3/4"
DWMT88983	6PT 3/8" Drive Socket 13/16"
DWMT88984	6PT 3/8" Drive Socket 7/8"
DWMT19571	6PT 3/8" Drive Socket 1"

3/8" DRIVE SOCKETS SETS

17 PIECE 3/8" DRIVE BIT SOCKET SET

PRODUCT #	CONTENTS	DESCRIPTION
DWMT73806		
	DWMT87971	3/8" Drive Hex Bit Socket 4 mm
	DWMT87972	3/8" Drive Hex Bit Socket 5 mm
	DWMT87973	3/8" Drive Hex Bit Socket 6 mm
	DWMT87974	3/8" Drive Hex Bit Socket 7 mm
	DWMT87975	3/8" Drive Hex Bit Socket 8 mm
	DWMT86388	3/8" Drive Hex Bit Socket 5/32"
	DWMT86389	3/8" Drive Hex Bit Socket 3/16"
	DWMT86391	3/8" Drive Hex Bit Socket 1/4"

CONTENTS	DESCRIPTION
DWMT86392	3/8" Drive Hex Bit Socket 5/16"
DWMT87404	3/8" Drive Torx [®] Bit Socket T10
DWMT87141	3/8" Drive Torx [®] Bit Socket T15
DWMT87142	3/8" Drive Torx [®] Bit Socket T20
DWMT87143	3/8" Drive Torx [®] Bit Socket T25
DWMT87406	3/8" Drive Torx [®] Bit Socket T27
DWMT87144	3/8" Drive Torx [®] Bit Socket T30
DWMT87145	3/8" Drive Torx [®] Bit Socket T40
DWMT87146	3/8" Drive Torx [®] Bit Socket T45

- Polished chrome vanadium finish
- Hard stamped markings
- Interlocking stackable case with removable inner tray



Torx[®] is a trademark of Acument Intellectual Properties, LLC

12 PIECE 3/8" DRIVE COMBINATION SOCKET SET

PRODUCT #	CONTENTS	DESCRIPTION
DWMT75421		
	DWMT71804	3/8 Drive Pear Head Ratchet
	DWMT86206	3/8" Drive 3" Extension
	DWMT86207	3/8" Drive 6" Extension
	DWMT86380	3/8" Drive Spark Plug Socket 5/8"
	DWMT86305	6PT 3/8" Drive Socket 10 mm
	DWMT86306	6PT 3/8" Drive Socket 11 mm

CONTENTS	DESCRIPTION
DWMT86307	6PT 3/8" Drive Socket 12 mm
DWMT86308	6PT 3/8" Drive Socket 13 mm
DWMT86309	6PT 3/8" Drive Socket 14 mm
DWMT86310	6PT 3/8" Drive Socket 15 mm
DWMT86311	6PT 3/8" Drive Socket 16 mm
DWMT86313	6PT 3/8" Drive Socket 18 mm

- DirectTorque[™] Technology
- Polished chrome vanadium finish
- Hard stamped markings
- Knurled control ring
- 72 tooth ratchet with 5 degree arc swing
- Interlocking stackable case with removable inner tray

Delayed Availability

10 PIECE 3/8" DRIVE CROWSFOOT SET

PRODUCT #	CONTENTS	DESCRIPTION
DWMT75425OSP		
	--	3/8" Drive Crowfoot Wrench 3/8"
	--	3/8" Drive Crowfoot Wrench 7/16"
	--	3/8" Drive Crowfoot Wrench 1/2"
	--	3/8" Drive Crowfoot Wrench 9/16"
	--	3/8" Drive Crowfoot Wrench 5/8"

CONTENTS	DESCRIPTION
--	3/8" Drive Crowfoot Wrench 11/16"
--	3/8" Drive Crowfoot Wrench 3/4"
--	3/8" Drive Crowfoot Wrench 13/16"
--	3/8" Drive Crowfoot Wrench 7/8"
--	3/8" Drive Crowfoot Wrench 1"

- Polished chrome vanadium finish
- Hard stamped markings
- Lightweight aluminum rail
- Easy slide clips

Delayed Availability

10 PIECE 3/8" DRIVE EXTERNAL TORX[®] SOCKET SET

PRODUCT #	CONTENTS	DESCRIPTION
DWMT75424OSP		
	DWMT76318	3/8" Drive External Torx [®] Socket E4
	DWMT76319	3/8" Drive External Torx [®] Socket E5
	DWMT76320	3/8" Drive External Torx [®] Socket E6
	DWMT76321	3/8" Drive External Torx [®] Socket E7
	DWMT75457	3/8" Drive External Torx [®] Socket E8

CONTENTS	DESCRIPTION
DWMT75458	3/8" Drive External Torx [®] Socket E10
DWMT75459	3/8" Drive External Torx [®] Socket E12
DWMT75461	3/8" Drive External Torx [®] Socket E14
DWMT76322	3/8" Drive External Torx [®] Socket E16
DWMT76323	3/8" Drive External Torx [®] Socket E18

- Polished chrome vanadium finish
- Hard stamped markings
- Knurled control ring
- Lightweight aluminum rail
- Easy slide clips

Delayed Availability

Torx[®] is a trademark of Acument Intellectual Properties, LLC

3/8" DRIVE SOCKETS SETS

6 PIECE 3/8" DRIVE SCREWDRIVER BIT SOCKET SET

- Polished chrome vanadium finish
- Hard stamped markings
- Knurled control ring

PRODUCT #	CONTENTS	DESCRIPTION
DWMT754220SP		
DWMT75446	3/8" Drive Phillips #1 Bit Socket	
DWMT75447	3/8" Drive Phillips #2 Bit Socket	
DWMT75448	3/8" Drive Phillips #3 Bit Socket	

CONTENTS	DESCRIPTION
DWMT75449	3/8" Drive Slotted 3/16" Bit Socket
DWMT75451	3/8" Drive Slotted 7/32" Bit Socket
DWMT75452	3/8" Drive Slotted 1/4" Bit Socket

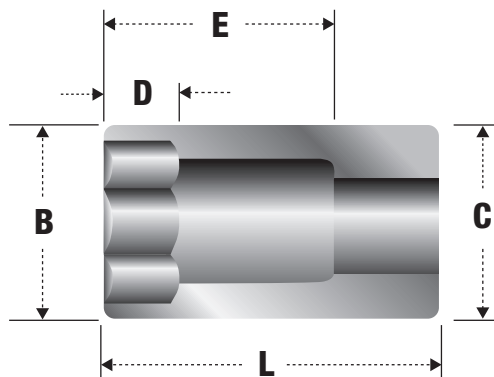
Delayed Availability

3 PIECE 3/8" DRIVE EXTENSION SET

- Polished chrome vanadium finish
- Hard stamped markings
- Knurled control ring

PRODUCT #	CONTENTS	DESCRIPTION
DWMT75426		
DWMT86206	3/8" Drive 3" Extension	
DWMT86207	3/8" Drive 6" Extension	
DWMT86208	3/8" Drive 10" Extension	

Delayed Availability



3/8" DRIVE SOCKETS

- DirectTorque™ Technology
- Polished chrome vanadium finish
- Hard stamped markings
- Knurled control ring

3/8" DRIVE SOCKETS - 6 POINT



BULK PRODUCT #	RETAIL PRODUCT #	SIZE	NUT END OUTSIDE DIA (B)	DRIVE END OUTSIDE DIA (C)	NUT DEPTH (D)	BOLT CLEARANCE DEPTH (E)	OVERALL LENGTH (L)	WEIGHT
DWMT86255B	DWMT86255OSP	1/4"	13/32"	11/16"	1/8"	3/16"	1"	0.05 lbs
DWMT86256B	DWMT86256OSP	5/16"	15/32"	11/16"	3/16"	7/32"	1"	0.05 lbs
DWMT19572B	--	11/32"	17/32"	11/16"	3/16"	7/32"	1"	0.05 lbs
DWMT88976B	DWMT88976OSP	3/8"	19/32"	11/16"	3/16"	1/4"	1"	0.05 lbs
DWMT88977B	DWMT88977OSP	7/16"	5/8"	11/16"	9/32"	11/32"	1"	0.05 lbs
DWMT88978B	DWMT88978OSP	1/2"	23/32"	23/32"	9/32"	13/32"	1"	0.07 lbs
DWMT88979B	DWMT88979OSP	9/16"	25/32"	25/32"	11/32"	1/2"	1"	0.07 lbs
DWMT88980B	DWMT88980OSP	5/8"	7/8"	7/8"	13/32"	9/16"	1"	0.11 lbs
DWMT88982B	DWMT88982OSP	3/4"	1"	1"	15/32"	9/16"	1"	0.14 lbs
DWMT88981B	DWMT88981OSP	11/16"	15/16"	15/16"	13/32"	9/16"	1"	0.13 lbs
DWMT88983B	DWMT88983OSP	13/16"	1-3/32"	1-3/32"	1/2"	11/16"	1-5/32"	0.17 lbs
DWMT88984B	DWMT88984OSP	7/8"	1-3/16"	1-3/16"	1/2"	3/4"	1-5/32"	0.20 lbs
DWMT19573B	--	15/16"	1-1/4"	1-1/4"	1/2"	3/4"	1-5/32"	0.24 lbs
DWMT19571B	--	1"	1-5/16"	1-5/16"	9/16"	13/16"	1-3/8"	0.29 lbs

ASME B107.110

3/8" DRIVE METRIC SOCKETS - 6 POINT



BULK PRODUCT #	RETAIL PRODUCT #	SIZE	NUT END OUTSIDE DIA (B)	DRIVE END OUTSIDE DIA (C)	NUT DEPTH (D)	BOLT CLEARANCE DEPTH (E)	OVERALL LENGTH (L)	WEIGHT
DWMT19576B	--	6 mm	13/32"	11/16"	3/16"	9/16"	1"	0.04 lbs
DWMT74534B	DWMT74534OSP	7 mm	7/16"	11/16"	1/4"	9/16"	1"	0.05 lbs
DWMT86303B	DWMT86303OSP	8 mm	15/32"	11/16"	1/4"	9/16"	1"	0.06 lbs
DWMT86304B	DWMT86304OSP	9 mm	17/32"	11/16"	1/4"	9/16"	1"	0.05 lbs
DWMT86305B	DWMT86305OSP	10 mm	19/32"	11/16"	9/32"	9/16"	1"	0.05 lbs
DWMT86306B	DWMT86306OSP	11 mm	5/8"	11/16"	5/16"	5/16"	1"	0.05 lbs
DWMT86307B	DWMT86307OSP	12 mm	11/16"	11/16"	11/32"	3/8"	1"	0.06 lbs
DWMT86308B	DWMT86308OSP	13 mm	23/32"	23/32"	11/32"	13/32"	1"	0.07 lbs
DWMT86309B	DWMT86309OSP	14 mm	25/32"	25/32"	13/32"	1/2"	1"	0.07 lbs
DWMT86310B	DWMT86310OSP	15 mm	13/16"	13/16"	13/32"	1/2"	1"	0.07 lbs
DWMT86311B	DWMT86311OSP	16 mm	7/8"	7/8"	13/32"	9/16"	1"	0.11 lbs
DWMT86312B	DWMT86312OSP	17 mm	29/32"	29/32"	13/32"	9/16"	1"	0.11 lbs
DWMT86313B	DWMT86313OSP	18 mm	15/16"	15/16"	7/16"	9/16"	1"	0.12 lbs
DWMT86314B	DWMT86314OSP	19 mm	1"	1"	15/32"	9/16"	1"	0.14 lbs
DWMT86315B	DWMT86315OSP	20 mm	1-1/16"	1-1/16"	9/16"	9/16"	1-5/32"	0.15 lbs
DWMT86316B	DWMT86316OSP	21 mm	1-3/32"	1-3/32"	9/16"	11/16"	1-5/32"	0.17 lbs
DWMT19575B	--	22 mm	1-3/16"	1-3/16"	9/16"	23/32"	1-5/32"	0.20 lbs

ASME B107.110

3/8" DRIVE DEEP SOCKETS - 6 POINT



BULK PRODUCT #	RETAIL PRODUCT #	SIZE	NUT END OUTSIDE DIA (B)	DRIVE END OUTSIDE DIA (C)	NUT DEPTH (D)	BOLT CLEARANCE DEPTH (E)	OVERALL LENGTH (L)	WEIGHT
DWMT70840B	DWMT70840OSP	1/4"	3/8"	21/32"	13/32"	1-11/32"	1-25/32"	0.07 lbs
DWMT80016B	DWMT80016OSP	5/16"	1-1/4"	1-1/4"	7/8"	1-25/32"	2-1/2"	0.07 lbs
DWMT88985B	DWMT88985OSP	3/8"	9/16"	21/32"	19/32"	1-11/32"	1-25/32"	0.08 lbs
DWMT88986B	DWMT88986OSP	7/16"	21/32"	21/32"	21/32"	1-11/32"	1-25/32"	0.09 lbs
DWMT88987B	DWMT88987OSP	1/2"	23/32"	23/32"	23/32"	1-11/32"	1-25/32"	0.11 lbs
DWMT88988B	DWMT88988OSP	9/16"	25/32"	25/32"	23/32"	1-3/8"	1-31/32"	0.14 lbs
DWMT88989B	DWMT88989OSP	5/8"	7/8"	7/8"	25/32"	1-1/2"	2-3/32"	0.19 lbs
DWMT88990B	DWMT88990OSP	11/16"	15/16"	15/16"	25/32"	1-9/16"	2-7/32"	0.24 lbs
DWMT88991B	DWMT88991OSP	3/4"	1"	1"	7/8"	1-9/16"	2-7/32"	0.28 lbs
DWMT88992B	DWMT88992OSP	13/16"	1-3/32"	1-3/32"	7/8"	1-25/32"	2-1/2"	0.36 lbs
DWMT88971B	DWMT88971OSP	7/8"	1-3/16"	1-3/16"	7/8"	1-25/32"	2-1/2"	0.45 lbs

ASME B107.110

3/8" DRIVE SOCKETS

- DirectTorque™ Technology
- Polished chrome vanadium finish
- Hard stamped markings
- Knurled control ring



3/8" DRIVE DEEP METRIC SOCKETS - 6 POINT

BULK PRODUCT #	RETAIL PRODUCT #	SIZE	NUT END OUTSIDE DIA (B)	DRIVE END OUTSIDE DIA (C)	NUT DEPTH (D)	BOLT CLEARANCE DEPTH (E)	OVERALL LENGTH (L)	WEIGHT
DWMT19568B	--	7 mm	7/16"	21/32"	13/32"	1-11/32"	1-25/32"	0.07 lbs
DWMT19569B	--	8 mm	15/32"	21/32"	15/32"	1-11/32"	1-25/32"	0.07 lbs
DWMT19570B	--	9 mm	17/32"	21/32"	9/16"	1-11/32"	1-25/32"	0.07 lbs
DWMT86322B	DWMT863220SP	10 mm	19/32"	21/32"	19/32"	1-11/32"	1-25/32"	0.08 lbs
DWMT86323B	DWMT863230SP	11 mm	5/8"	21/32"	21/32"	1-11/32"	1-25/32"	0.09 lbs
DWMT86324B	DWMT863240SP	12 mm	11/16"	11/16"	23/32"	1-11/32"	1-25/32"	0.09 lbs
DWMT86325B	DWMT863250SP	13 mm	23/32"	23/32"	23/32"	1-11/32"	1-25/32"	0.11 lbs
DWMT86326B	DWMT863260SP	14 mm	25/32"	25/32"	23/32"	1-3/8"	1-31/32"	0.14 lbs
DWMT86327B	DWMT863270SP	15 mm	13/16"	13/16"	25/32"	1-1/2"	2-3/32"	0.15 lbs
DWMT88825B	DWMT888250SP	16 mm	7/8"	7/8"	25/32"	1-1/2"	2-3/32"	0.19 lbs
DWMT86328B	DWMT863280SP	17 mm	29/32"	29/32"	25/32"	1-9/16"	2-7/32"	0.22 lbs
DWMT94955B	DWMT949550SP	18 mm	15/16"	15/16"	25/32"	1-9/16"	2-7/32"	0.25 lbs
DWMT94961B	DWMT949610SP	19 mm	1"	1"	25/32"	1-9/16"	2-7/32"	0.28 lbs
DWMT96361B	DWMT963610SP	20 mm	1-1/16"	1-1/16"	7/8"	1-25/32"	2-1/2"	0.24 lbs
DWMT96362B	DWMT963620SP	21 mm	1-3/32"	1-3/32"	7/8"	1-25/32"	2-1/2"	0.36 lbs
DWMT19567B	--	22 mm	1-3/16"	1-3/16"	7/8"	1-25/32"	2-1/2"	0.31 lbs

ASME B107.110

3/8" DRIVE SPARK PLUG SOCKETS - 6 POINT



BULK PRODUCT #	RETAIL PRODUCT #	SIZE	NUT END OUTSIDE DIA (B)	DRIVE END OUTSIDE DIA (C)	NUT DEPTH (D)	BOLT CLEARANCE DEPTH (E)	OVERALL LENGTH (L)	WEIGHT
DWMT86380B	DWMT863800SP	5/8"	27/32"	3/4"	29/32"	1-11/16"	2-17/32"	0.20 lbs
DWMT86381B	DWMT863810SP	13/16"	1-3/32"	7/8"	29/32"	1-11/16"	2-3/4"	0.37 lbs

ASME B107.110

3/8" DRIVE SOCKETS - 12 POINT



BULK PRODUCT #	RETAIL PRODUCT #	SIZE	NUT END OUTSIDE DIA (B)	DRIVE END OUTSIDE DIA (C)	NUT DEPTH (D)	BOLT CLEARANCE DEPTH (E)	OVERALL LENGTH (L)	WEIGHT
DWMT74187B	DWMT741870SP	1/4"	13/32"	11/16"	1/8"	3/16"	1"	0.05 lbs
DWMT74528B	DWMT745280SP	5/16"	15/32"	11/16"	3/16"	7/32"	1"	0.05 lbs
DWMT74527B	DWMT745270SP	3/8"	19/32"	11/16"	3/16"	1/4"	1"	0.05 lbs
DWMT74530B	DWMT745300SP	7/16"	5/8"	11/16"	9/32"	11/32"	1"	0.05 lbs
DWMT74512B	DWMT745120SP	1/2"	23/32"	23/32"	9/32"	13/32"	1"	0.07 lbs
DWMT74532B	DWMT745320SP	9/16"	25/32"	25/32"	11/32"	1/2"	1"	0.07 lbs
DWMT74529B	DWMT745290SP	5/8"	7/8"	7/8"	13/32"	9/16"	1"	0.11 lbs
DWMT74514B	DWMT745140SP	11/16"	15/16"	15/16"	13/32"	9/16"	1"	0.13 lbs
DWMT74526B	DWMT745260SP	3/4"	1"	1"	15/32"	9/16"	1"	0.14 lbs
DWMT74517B	DWMT745170SP	13/16"	1-3/32"	1-3/32"	1/2"	11/16"	1-5/32"	0.17 lbs
DWMT74531B	DWMT745310SP	7/8"	1-3/16"	1-3/16"	1/2"	3/4"	1-5/32"	0.20 lbs
DWMT19561B	--	15/16"	1-1/4"	1-1/4"	1/2"	3/4"	1-5/32"	0.24 lbs
DWMT19560B	--	1"	1-5/16"	1-5/16"	9/16"	13/16"	1-3/8"	0.29 lbs

ASME B107.110

3/8" DRIVE SOCKETS

- DirectTorque™ Technology
- Polished chrome vanadium finish
- Hard stamped markings
- Knurled control ring



3/8" DRIVE METRIC SOCKETS - 12 POINT

BULK PRODUCT #	RETAIL PRODUCT #	SIZE	NUT END OUTSIDE DIA (B)	DRIVE END OUTSIDE DIA (C)	NUT DEPTH (D)	BOLT CLEARANCE DEPTH (E)	OVERALL LENGTH (L)	WEIGHT
DWMT19565B	--	6 mm	13/32"	11/16"	3/16"	9/16"	1"	0.05 lbs
DWMT19566B	--	7 mm	7/16"	11/16"	1/4"	9/16"	1"	0.05 lbs
DWMT86343B	DWMT863430SP	8 mm	15/32"	11/16"	1/4"	9/16"	1"	0.05 lbs
DWMT86344B	DWMT863440SP	9 mm	17/32"	11/16"	1/4"	9/16"	1"	0.05 lbs
DWMT74513B	DWMT745130SP	10 mm	19/32"	11/16"	9/32"	9/16"	1"	0.05 lbs
DWMT74515B	DWMT745150SP	11 mm	5/8"	11/16"	5/16"	5/16"	1"	0.05 lbs
DWMT74516B	DWMT745160SP	12 mm	11/16"	11/16"	11/32"	3/8"	1"	0.06 lbs
DWMT74518B	DWMT745180SP	13 mm	23/32"	23/32"	11/32"	13/32"	1"	0.07 lbs
DWMT74519B	DWMT745190SP	14 mm	25/32"	25/32"	13/32"	1/2"	1"	0.07 lbs
DWMT74520B	DWMT745200SP	15 mm	13/16"	13/16"	13/32"	1/2"	1"	0.08 lbs
DWMT74521B	DWMT745210SP	16 mm	7/8"	7/8"	13/32"	9/16"	1"	0.11 lbs
DWMT74522B	DWMT745220SP	17 mm	29/32"	29/32"	13/32"	9/16"	1"	0.12 lbs
DWMT74523B	DWMT745230SP	18 mm	15/16"	15/16"	7/16"	9/16"	1"	0.12 lbs
DWMT74524B	DWMT745240SP	19 mm	1"	1"	15/32"	9/16"	1"	0.14 lbs
DWMT86355B	DWMT863550SP	20 mm	1-1/16"	1-1/16"	9/16"	21/32"	1-5/32"	0.16 lbs
DWMT74186B	DWMT741860SP	21 mm	1-3/32"	1-3/32"	9/16"	11/16"	1-5/32"	0.17 lbs
DWMT19562B	--	22 mm	1-3/16"	1-3/16"	9/16"	23/32"	1-5/32"	0.20 lbs
DWMT19563B	--	23 mm	1-7/32"	1-7/32"	9/16"	23/32"	1-5/32"	0.22 lbs
DWMT19564B	--	24 mm	1-1/4"	1-1/4"	9/16"	3/4"	1-5/32"	0.22 lbs

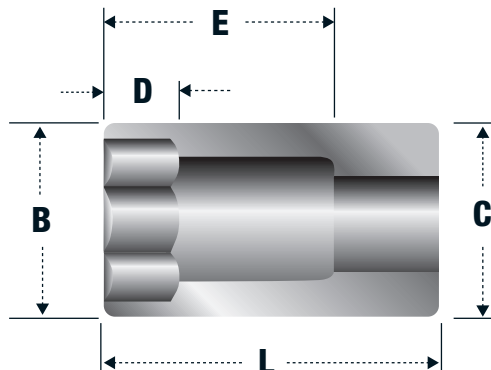
ASME B107.110

3/8" DRIVE DEEP SOCKETS - 12 POINT



BULK PRODUCT #	RETAIL PRODUCT #	SIZE	NUT END OUTSIDE DIA (B)	DRIVE END OUTSIDE DIA (C)	NUT DEPTH (D)	BOLT CLEARANCE DEPTH (E)	OVERALL LENGTH (L)	WEIGHT
DWMT74191B	DWMT741910SP	1/4"	3/8"	21/32"	13/32"	1-11/32"	1-25/32"	0.07 lbs
DWMT74190B	DWMT741900SP	5/16"	15/32"	21/32"	15/32"	1-11/32"	1-25/32"	0.07 lbs
DWMT74143B	DWMT741430SP	3/8"	9/16"	21/32"	19/32"	1-11/32"	1-25/32"	0.08 lbs
DWMT74146B	DWMT741460SP	7/16"	21/32"	21/32"	21/32"	1-11/32"	1-25/32"	0.09 lbs
DWMT74139B	DWMT741390SP	1/2"	23/32"	23/32"	23/32"	1-11/32"	1-25/32"	0.11 lbs
DWMT74148B	DWMT741480SP	9/16"	25/32"	25/32"	23/32"	1-3/8"	1-31/32"	0.14 lbs
DWMT74145B	DWMT741450SP	5/8"	7/8"	7/8"	25/32"	1-1/2"	2-3/32"	0.19 lbs
DWMT74140B	DWMT741400SP	11/16"	15/16"	15/16"	25/32"	1-9/16"	2-7/32"	0.24 lbs
DWMT74142B	DWMT741420SP	3/4"	1"	1"	7/8"	1-9/16"	2-7/32"	0.28 lbs
DWMT74141B	DWMT741410SP	13/16"	1-3/32"	1-3/32"	7/8"	1-25/32"	2-1/2"	0.36 lbs
DWMT74147B	DWMT741470SP	7/8"	1-3/16"	1-3/16"	7/8"	1-25/32"	2-1/2"	0.45 lbs
DWMT19302B	--	15/16"	1-1/4"	1-1/4"	7/8"	1-25/32"	2-1/2"	0.34 lbs
DWMT19301B	--	1"	1-11/32"	1-11/32"	7/8"	1-25/32"	2-1/2"	0.49 lbs

ASME B107.110



3/8" DRIVE SOCKETS

- DirectTorque™ Technology
- Polished chrome vanadium finish
- Hard stamped markings
- Knurled control ring



3/8" DRIVE DEEP METRIC SOCKETS - 12 POINT

BULK PRODUCT #	RETAIL PRODUCT #	SIZE	NUT END OUTSIDE DIA (B)	DRIVE END OUTSIDE DIA (C)	NUT DEPTH (D)	BOLT CLEARANCE DEPTH (E)	OVERALL LENGTH (L)	WEIGHT
DWMT19305B	--	6 mm	13/32"	21/32"	13/32"	1-11/32"	1-25/32"	0.07 lbs
DWMT19554B	--	7 mm	7/16"	21/32"	13/32"	1-11/32"	1-25/32"	0.07 lbs
DWMT19559B	--	8 mm	15/32"	21/32"	15/32"	1-11/32"	1-25/32"	0.07 lbs
DWMT74511B	DWMT745110SP	9 mm	17/32"	21/32"	9/16"	1-11/32"	1-25/32"	0.07 lbs
DWMT74502B	DWMT745020SP	10 mm	19/32"	21/32"	19/32"	1-11/32"	1-25/32"	0.08 lbs
DWMT74503B	DWMT745030SP	11 mm	5/8"	21/32"	21/32"	1-11/32"	1-25/32"	0.09 lbs
DWMT74504B	DWMT745040SP	12 mm	11/16"	11/16"	23/32"	1-11/32"	1-25/32"	0.09 lbs
DWMT74505B	DWMT745050SP	13 mm	23/32"	23/32"	23/32"	1-11/32"	1-25/32"	0.11 lbs
DWMT74506B	DWMT745060SP	14 mm	25/32"	25/32"	23/32"	1-3/8"	1-31/32"	0.14 lbs
DWMT74507B	DWMT745070SP	15 mm	13/16"	13/16"	25/32"	1-1/2"	2-3/32"	0.15 lbs
DWMT74508B	DWMT745080SP	16 mm	7/8"	7/8"	25/32"	1-1/2"	2-3/32"	0.19 lbs
DWMT74509B	DWMT745090SP	17 mm	29/32"	29/32"	25/32"	1-9/16"	2-7/32"	0.22 lbs
DWMT74510B	DWMT745100SP	18 mm	15/16"	15/16"	25/32"	1-9/16"	2-7/32"	0.22 lbs
DWMT74188B	DWMT741880SP	19 mm	1"	1"	25/32"	1-9/16"	2-7/32"	0.26 lbs
DWMT19303B	--	20 mm	1-1/16"	1-1/16"	7/8"	1-25/32"	2-1/2"	0.24 lbs
DWMT74189B	DWMT741890SP	21 mm	1-3/32"	1-3/32"	7/8"	1-25/32"	2-1/2"	0.28 lbs
DWMT19304B	--	22 mm	1-3/16"	1-3/16"	7/8"	1-25/32"	2-1/2"	0.31 lbs

ASME B107.110

3/8" DRIVE EXTERNAL TORX® SOCKETS



BULK PRODUCT #	RETAIL PRODUCT #	SIZE	NUT END OUTSIDE DIA (B)	DRIVE END OUTSIDE DIA (C)	NUT DEPTH (D)	BOLT CLEARANCE DEPTH (E)	OVERALL LENGTH (L)	WEIGHT
DWMT75457B	DWMT754570SP	E8	13/32"	11/16"	5/16"	11/16"	1-5/32"	0.06 lbs
DWMT75458B	DWMT754580SP	E10	1/2"	11/16"	13/32"	11/16"	1-5/32"	0.06 lbs
DWMT75459B	DWMT754590SP	E12	9/16"	11/16"	13/32"	11/16"	1-5/32"	0.06 lbs
DWMT75461B	DWMT754610SP	E14	5/8"	11/16"	7/16"	11/16"	1-5/32"	0.06 lbs

ASME B107.110

Torx® is a trademark of Acument Intellectual Properties, LLC

3/8" DRIVE HEX BIT SOCKETS

BULK PRODUCT #	RETAIL PRODUCT #	SIZE	BIT LENGTH	OVERALL LENGTH (L)	WEIGHT
DWMT75453B	DWMT754530SP	1/8"	15/16"	1-31/32"	0.08 lbs
DWMT86388B	DWMT863880SP	5/32"	15/16"	1-31/32"	0.08 lbs
DWMT86389B	DWMT863890SP	3/16"	15/16"	1-31/32"	0.08 lbs
DWMT74624B	DWMT746240SP	7/32"	15/16"	1-31/32"	0.08 lbs
DWMT86391B	DWMT863910SP	1/4"	15/16"	1-31/32"	0.08 lbs
DWMT86392B	DWMT863920SP	5/16"	15/16"	1-31/32"	0.10 lbs
DWMT74623B	DWMT746230SP	3/8"	15/16"	1-31/32"	0.10 lbs
DWMT74634B	DWMT746340SP	7/16"	15/16"	1-31/32"	0.10 lbs
DWMT74635B	DWMT746350SP	1/2"	15/16"	1-31/32"	0.10 lbs

ASME B18.3



3/8" DRIVE SOCKETS

- DirectTorque™ Technology
- Polished chrome vanadium finish
- Hard stamped markings
- Knurled control ring

3/8" DRIVE METRIC HEX BIT SOCKETS

BULK PRODUCT #	RETAIL PRODUCT #	SIZE	BIT LENGTH	OVERALL LENGTH (L)	WEIGHT
DWMT75456B	DWMT754560SP	3 mm	15/16"	1-31/32"	0.08 lbs
DWMT87971B	DWMT879710SP	4 mm	15/16"	1-31/32"	0.08 lbs
DWMT87972B	DWMT879720SP	5 mm	15/16"	1-31/32"	0.08 lbs
DWMT87973B	DWMT879730SP	6 mm	15/16"	1-31/32"	0.09 lbs
DWMT87974B	DWMT879740SP	7 mm	15/16"	1-31/32"	0.09 lbs
DWMT87975B	DWMT879750SP	8 mm	15/16"	1-31/32"	0.09 lbs
DWMT74622B	DWMT746220SP	10 mm	15/16"	1-31/32"	0.11 lbs

ANSI B18.3.2M



3/8" DRIVE PHILLIPS SCREWDRIVER BIT SOCKETS

BULK PRODUCT #	RETAIL PRODUCT #	TIP SIZE	BIT LENGTH	OVERALL LENGTH (L)	WEIGHT
DWMT75446B	DWMT754460SP	#1	15/16"	1-31/32"	0.08 lbs
DWMT75447B	DWMT754470SP	#2	15/16"	1-31/32"	0.08 lbs
DWMT75448B	DWMT754480SP	#3	15/16"	1-31/32"	0.09 lbs

ASME B107.600 (B107.26M)



3/8" DRIVE SLOTTED SCREWDRIVER BIT SOCKETS

BULK PRODUCT #	RETAIL PRODUCT #	TIP SIZE	BIT LENGTH	OVERALL LENGTH (L)	WEIGHT
DWMT75449B	DWMT754490SP	3/16"	15/16"	1-31/32"	0.09 lbs
DWMT75451B	DWMT754510SP	7/32"	15/16"	1-31/32"	0.09 lbs
DWMT75452B	DWMT754520SP	1/4"	19/32"	1-5/16"	0.09 lbs
DWMT19207B	--	5/16"	15/16"	1-31/32"	0.10 lbs
DWMT75106B	DWMT751060SP	3/8"	15/16"	1-31/32"	0.11 lbs

ASME B107.600 (B107.26M)



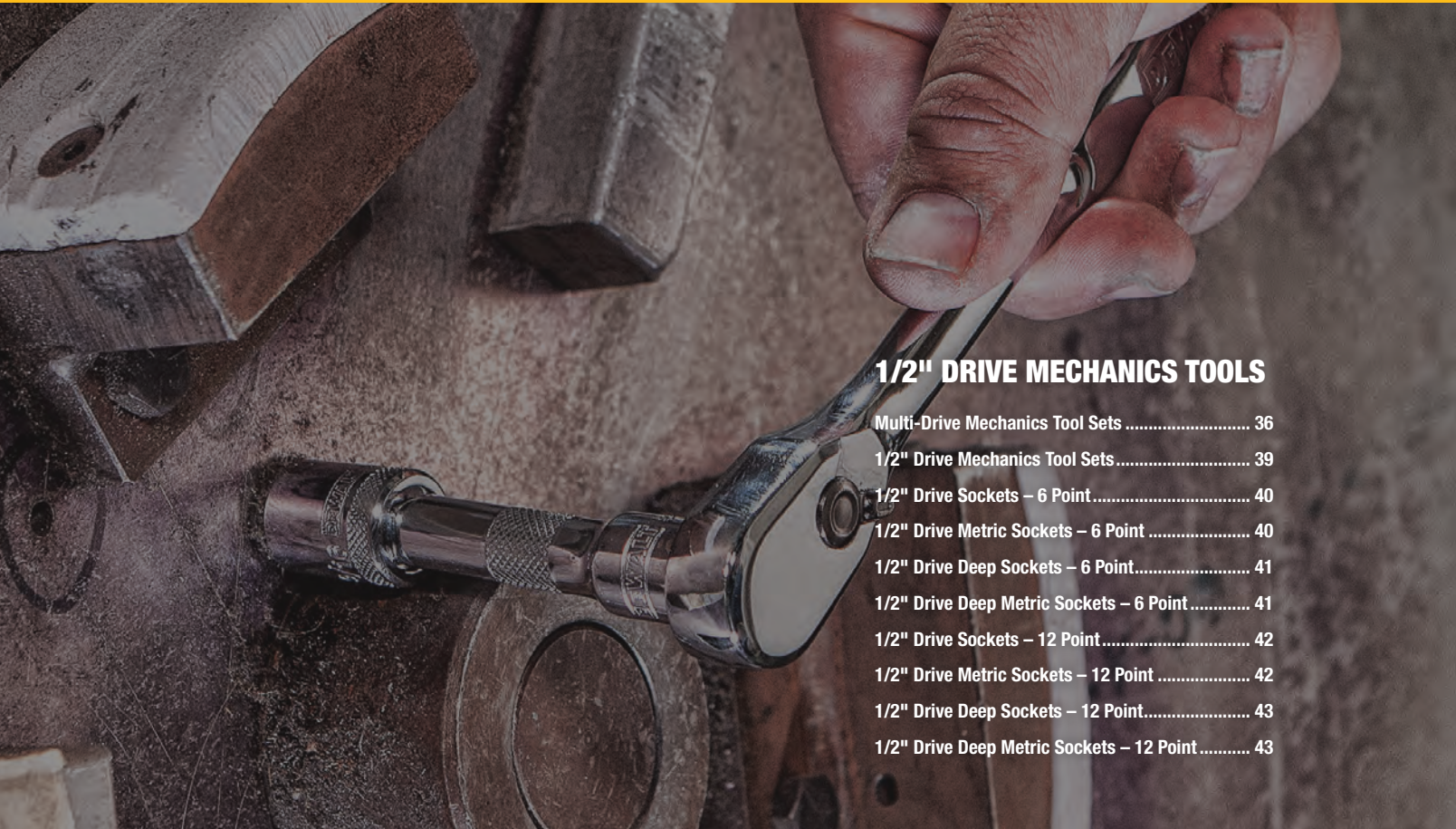
3/8" DRIVE TORX® BIT SOCKETS

BULK PRODUCT #	RETAIL PRODUCT #	TIP SIZE	BIT LENGTH	OVERALL LENGTH (L)	WEIGHT
DWMT87404B	DWMT874040SP	T10	1-3/16"	1-31/32"	0.08 lbs
DWMT87141B	DWMT871410SP	T15	1-3/16"	1-31/32"	0.09 lbs
DWMT87142B	DWMT871420SP	T20	1-3/16"	1-31/32"	0.09 lbs
DWMT87143B	DWMT871430SP	T25	1-3/16"	1-31/32"	0.10 lbs
DWMT87406B	DWMT874060SP	T27	1-3/16"	1-31/32"	0.10 lbs
DWMT87144B	DWMT871440SP	T30	1-3/16"	1-31/32"	0.10 lbs
DWMT87145B	DWMT871450SP	T40	1-3/16"	1-31/32"	0.10 lbs
DWMT87146B	DWMT871460SP	T45	1-1/4"	1-31/32"	0.10 lbs
DWMT74618B	DWMT746180SP	T47	1-1/4"	1-31/32"	0.10 lbs
DWMT74619B	DWMT746190SP	T50	1-1/4"	1-31/32"	0.10 lbs
DWMT87407B	DWMT874070SP	T55	1-1/4"	1-31/32"	0.13 lbs
DWMT89548B	DWMT895480SP	T60	1-1/4"	1-31/32"	0.13 lbs

ASME B18.3

Torx® is a trademark of Acument Intellectual Properties, LLC





1/2" DRIVE MECHANICS TOOLS

Multi-Drive Mechanics Tool Sets 36
 1/2" Drive Mechanics Tool Sets 39
 1/2" Drive Sockets – 6 Point 40
 1/2" Drive Metric Sockets – 6 Point 40
 1/2" Drive Deep Sockets – 6 Point 41
 1/2" Drive Deep Metric Sockets – 6 Point 41
 1/2" Drive Sockets – 12 Point 42
 1/2" Drive Metric Sockets – 12 Point 42
 1/2" Drive Deep Sockets – 12 Point 43
 1/2" Drive Deep Metric Sockets – 12 Point 43

1/2" DRIVE SOCKET SETS

- DirectTorque™ Technology
- Polished chrome vanadium finish
- Hard stamped markings
- 72 tooth ratchet with 5 degree arc swing
- Light-weight carrying case with metal latches

192 PIECE 1/4", 3/8" & 1/2" DRIVE MECHANICS TOOLS SET

PRODUCT #	CONTENTS	DESCRIPTION
DWMT75049		
DWMT86021	6PT 1/4" Drive Socket 5/32"	
DWMT86022	6PT 1/4" Drive Socket 3/16"	
DWMT86023	6PT 1/4" Drive Socket 7/32"	
DWMT86024	6PT 1/4" Drive Socket 1/4"	
DWMT86025	6PT 1/4" Drive Socket 9/32"	
DWMT86026	6PT 1/4" Drive Socket 5/16"	
DWMT86027	6PT 1/4" Drive Socket 11/32"	
DWMT86028	6PT 1/4" Drive Socket 3/8"	
DWMT86029	6PT 1/4" Drive Socket 7/16"	
DWMT86030	6PT 1/4" Drive Socket 1/2"	
DWMT85861	6PT 1/4" Drive Socket 9/16"	
DWMT86101	6PT 1/4" Drive Socket 4 mm	
DWMT86102	6PT 1/4" Drive Socket 5 mm	
DWMT86103	6PT 1/4" Drive Socket 6 mm	
DWMT86104	6PT 1/4" Drive Socket 7 mm	
DWMT86105	6PT 1/4" Drive Socket 8 mm	
DWMT86106	6PT 1/4" Drive Socket 9 mm	
DWMT86107	6PT 1/4" Drive Socket 10 mm	
DWMT86108	6PT 1/4" Drive Socket 11 mm	
DWMT86109	6PT 1/4" Drive Socket 12 mm	
DWMT86112	6PT 1/4" Drive Socket 13 mm	
DWMT86114	6PT 1/4" Drive Socket 14 mm	



1/2" DRIVE SOCKET SETS

192 PIECE SET, CONT'D

PRODUCT #	CONTENTS	DESCRIPTION	CONTENTS	DESCRIPTION	CONTENTS	DESCRIPTION
DWMT75049	DWMT89820	6PT 1/4" Drive Deep Socket 5/32"	DWMT70840	6PT 3/8" Drive Deep Socket 1/4"	DWMT89532	6PT 1/2" Drive Deep Socket 7/16"
	DWMT88964	6PT 1/4" Drive Deep Socket 3/16"	DWMT80016	6PT 3/8" Drive Deep Socket 15/16"	DWMT88945	6PT 1/2" Drive Deep Socket 1/2"
	DWMT86043	6PT 1/4" Drive Deep Socket 1/4"	DWMT88985	6PT 3/8" Drive Deep Socket 3/8"	DWMT88946	6PT 1/2" Drive Deep Socket 9/16"
	DWMT86044	6PT 1/4" Drive Deep Socket 9/32"	DWMT88986	6PT 3/8" Drive Deep Socket 7/16"	DWMT88947	6PT 1/2" Drive Deep Socket 5/8"
	DWMT86045	6PT 1/4" Drive Deep Socket 5/16"	DWMT88987	6PT 3/8" Drive Deep Socket 1/2"	DWMT88948	6PT 1/2" Drive Deep Socket 11/16"
	DWMT86046	6PT 1/4" Drive Deep Socket 11/32"	DWMT88988	6PT 3/8" Drive Deep Socket 9/16"	DWMT88949	6PT 1/2" Drive Deep Socket 3/4"
	DWMT86047	6PT 1/4" Drive Deep Socket 3/8"	DWMT88989	6PT 3/8" Drive Deep Socket 5/8"	DWMT88950	6PT 1/2" Drive Deep Socket 13/16"
	DWMT86048	6PT 1/4" Drive Deep Socket 7/16"	DWMT88990	6PT 3/8" Drive Deep Socket 11/16"	DWMT88951	6PT 1/2" Drive Deep Socket 7/8"
	DWMT86049	6PT 1/4" Drive Deep Socket 1/2"	DWMT88991	6PT 3/8" Drive Deep Socket 3/4"	DWMT88952	6PT 1/2" Drive Deep Socket 15/16"
	DWMT88935	6PT 1/4" Drive Deep Socket 4 mm	DWMT88992	6PT 3/8" Drive Deep Socket 13/16"	DWMT88953	6PT 1/2" Drive Deep Socket 1"
	DWMT88936	6PT 1/4" Drive Deep Socket 5 mm	DWMT88971	6PT 3/8" Drive Deep Socket 7/8"	DWMT93528	6PT 1/2" Drive Deep Socket 13 mm
	DWMT86094	6PT 1/4" Drive Deep Socket 6 mm	DWMT86322	6PT 3/8" Drive Deep Socket 10 mm	DWMT93529	6PT 1/2" Drive Deep Socket 14 mm
	DWMT86095	6PT 1/4" Drive Deep Socket 7 mm	DWMT86323	6PT 3/8" Drive Deep Socket 11 mm	DWMT93530	6PT 1/2" Drive Deep Socket 15 mm
	DWMT86096	6PT 1/4" Drive Deep Socket 8 mm	DWMT86324	6PT 3/8" Drive Deep Socket 12 mm	DWMT93531	6PT 1/2" Drive Deep Socket 16 mm
	DWMT86097	6PT 1/4" Drive Deep Socket 9 mm	DWMT86325	6PT 3/8" Drive Deep Socket 13 mm	DWMT93532	6PT 1/2" Drive Deep Socket 17 mm
	DWMT86098	6PT 1/4" Drive Deep Socket 10 mm	DWMT86326	6PT 3/8" Drive Deep Socket 14 mm	DWMT93533	6PT 1/2" Drive Deep Socket 18 mm
	DWMT86099	6PT 1/4" Drive Deep Socket 11 mm	DWMT86327	6PT 3/8" Drive Deep Socket 15 mm	DWMT93534	6PT 1/2" Drive Deep Socket 19 mm
	DWMT86100	6PT 1/4" Drive Deep Socket 12 mm	DWMT88825	6PT 3/8" Drive Deep Socket 16 mm	DWMT93535	6PT 1/2" Drive Deep Socket 21 mm
	DWMT86116	6PT 1/4" Drive Deep Socket 13 mm	DWMT86328	6PT 3/8" Drive Deep Socket 17 mm	DWMT93536	6PT 1/2" Drive Deep Socket 22 mm
	DWMT86289	6PT 1/4" Drive Deep Socket 14 mm	DWMT94955	6PT 3/8" Drive Deep Socket 18 mm	DWMT96370	6PT 1/2" Drive Deep Socket 24 mm
	DWMT71803	1/4 Drive Pear Head Ratchet	DWMT94961	6PT 3/8" Drive Deep Socket 19 mm	DWMT71805	1/2 Drive Pear Head Ratchet
	DWMT86006	1/4" Drive 3" Extension	DWMT96362	6PT 3/8" Drive Deep Socket 21 mm	DWMT86406	1/2" Drive 2.5" Extension
	DWMT86007	1/4" Drive 6" Extension	DWMT71804	3/8 Drive Pear Head Ratchet	DWMT86407	1/2" Drive 5" Extension
	DWMT86372	1/4" Drive 10" Extension	DWMT86206	3/8" Drive 3" Extension	DWMT86408	1/2" Drive 10" Extension
	DWMT86002	1/4" X 3/8" Increasing Adapter	DWMT86207	3/8" Drive 6" Extension	DWMT86411	1/2" Drive Universal Joint
	DWMT86011	1/4" Drive Universal Joint	DWMT86208	3/8" Drive 10" Extension	DWMT86414	1/2" Drive Adapter 1/2" to 3/8"
	DWMT86255	6PT 3/8" Drive Socket 1/4"	DWMT86211	3/8" Drive Universal Joint	DWMT86380	3/8" Drive Spark Plug Socket 5/8"
	DWMT86256	6PT 3/8" Drive Socket 5/16"	DWMT75311	3/8" X 1/4" Reducing Adapter	DWMT85802	3/8" Drive Spark Plug Socket 3/4"
	DWMT88976	6PT 3/8" Drive Socket 3/8"	DWMT86443	6PT 1/2" Drive Socket 7/16"	DWMT86381	6PT 3/8" Drive Spark Plug Socket 13/16"
	DWMT88977	6PT 3/8" Drive Socket 7/16"	DWMT86444	6PT 1/2" Drive Socket 1/2"	DWMT86388	3/8" Drive Hex Bit Socket 5/32"
	DWMT88978	6PT 3/8" Drive Socket 1/2"	DWMT86445	6PT 1/2" Drive Socket 9/16"	DWMT86389	3/8" Drive Hex Bit Socket 3/16"
	DWMT88979	6PT 3/8" Drive Socket 9/16"	DWMT88766	6PT 1/2" Drive Socket 5/8"	DWMT86391	3/8" Drive Hex Bit Socket 1/4"
	DWMT88980	6PT 3/8" Drive Socket 5/8"	DWMT86448	6PT 1/2" Drive Socket 11/16"	DWMT86392	3/8" Drive Hex Bit Socket 5/16"
	DWMT88981	6PT 3/8" Drive Socket 11/16"	DWMT86449	6PT 1/2" Drive Socket 3/4"	DWMT87971	3/8" Drive Hex Bit Socket 4 mm
	DWMT88982	6PT 3/8" Drive Socket 3/4"	DWMT86451	6PT 1/2" Drive Socket 13/16"	DWMT87972	3/8" Drive Hex Bit Socket 5 mm
	DWMT88983	6PT 3/8" Drive Socket 13/16"	DWMT86452	6PT 1/2" Drive Socket 7/8"	DWMT87973	3/8" Drive Hex Bit Socket 6 mm
	DWMT88984	6PT 3/8" Drive Socket 7/8"	DWMT86453	6PT 1/2" Drive Socket 15/16"	DWMT87974	3/8" Drive Hex Bit Socket 7 mm
	DWMT86305	6PT 3/8" Drive Socket 10 mm	DWMT86455	6PT 1/2" Drive Socket 1"	DWMT87975	3/8" Drive Hex Bit Socket 8 mm
	DWMT86306	6PT 3/8" Drive Socket 11 mm	DWMT86513	6PT 1/2" Drive Socket 13 mm	DWMT87404	3/8" Drive Torx® Bit Socket T10
	DWMT86307	6PT 3/8" Drive Socket 12 mm	DWMT86514	6PT 1/2" Drive Socket 14 mm	DWMT87141	3/8" Drive Torx® Bit Socket T15
	DWMT86308	6PT 3/8" Drive Socket 13 mm	DWMT86515	6PT 1/2" Drive Socket 15 mm	DWMT87142	3/8" Drive Torx® Bit Socket T20
	DWMT86309	6PT 3/8" Drive Socket 14 mm	DWMT88738	6PT 1/2" Drive Socket 16 mm	DWMT87143	3/8" Drive Torx® Bit Socket T25
	DWMT86310	6PT 3/8" Drive Socket 15 mm	DWMT86517	6PT 1/2" Drive Socket 17 mm	DWMT87406	3/8" Drive Torx® Bit Socket T27
	DWMT86311	6PT 3/8" Drive Socket 16 mm	DWMT86518	6PT 1/2" Drive Socket 18 mm	DWMT87144	3/8" Drive Torx® Bit Socket T30
	DWMT86312	6PT 3/8" Drive Socket 17 mm	DWMT86519	6PT 1/2" Drive Socket 19 mm	DWMT87145	3/8" Drive Torx® Bit Socket T40
	DWMT86313	6PT 3/8" Drive Socket 18 mm	DWMT86521	6PT 1/2" Drive Socket 21 mm	DWMT87146	3/8" Drive Torx® Bit Socket T45
	DWMT86314	6PT 3/8" Drive Socket 19 mm	DWMT86522	6PT 1/2" Drive Socket 22 mm	DWMT72591	14 Piece Standard Hex Key Set
	DWMT86316	6PT 3/8" Drive Socket 21 mm	DWMT86524	6PT 1/2" Drive Socket 24 mm	DWMT72592	14 Piece Metric Hex Key Set

1/2" DRIVE SOCKET SETS

- DirectTorque™ Technology
- Polished chrome vanadium finish
- Hard stamped markings
- Light-weight carrying case with metal latches

168 PIECE 1/4", 3/8" & 1/2" DRIVE MECHANICS TOOLS SET

PRODUCT # CONTENTS DESCRIPTION

DWMT73803

DWMT86021	6PT 1/4" Drive Socket 5/32"
DWMT86022	6PT 1/4" Drive Socket 3/16"
DWMT86023	6PT 1/4" Drive Socket 7/32"
DWMT86024	6PT 1/4" Drive Socket 1/4"
DWMT86025	6PT 1/4" Drive Socket 9/32"
DWMT86026	6PT 1/4" Drive Socket 5/16"
DWMT86027	6PT 1/4" Drive Socket 11/32"
DWMT86028	6PT 1/4" Drive Socket 3/8"
DWMT86029	6PT 1/4" Drive Socket 7/16"
DWMT86030	6PT 1/4" Drive Socket 1/2"
DWMT86101	6PT 1/4" Drive Socket 4 mm
DWMT86110	6PT 1/4" Drive Socket 4.5 mm
DWMT86102	6PT 1/4" Drive Socket 5 mm
DWMT86111	6PT 1/4" Drive Socket 5.5 mm
DWMT86103	6PT 1/4" Drive Socket 6 mm
DWMT86104	6PT 1/4" Drive Socket 7 mm
DWMT86105	6PT 1/4" Drive Socket 8 mm
DWMT86106	6PT 1/4" Drive Socket 9 mm
DWMT86107	6PT 1/4" Drive Socket 10 mm
DWMT86108	6PT 1/4" Drive Socket 11 mm
DWMT86109	6PT 1/4" Drive Socket 12 mm
DWMT86112	6PT 1/4" Drive Socket 13 mm
DWMT86045	6PT 1/4" Drive Deep Socket 5/16"
DWMT86046	6PT 1/4" Drive Deep Socket 11/32"
DWMT86047	6PT 1/4" Drive Deep Socket 3/8"
DWMT86048	6PT 1/4" Drive Deep Socket 7/16"
DWMT86049	6PT 1/4" Drive Deep Socket 1/2"
DWMT86097	6PT 1/4" Drive Deep Socket 9 mm
DWMT86098	6PT 1/4" Drive Deep Socket 10 mm
DWMT86099	6PT 1/4" Drive Deep Socket 11 mm
DWMT86100	6PT 1/4" Drive Deep Socket 12 mm
DWMT86116	6PT 1/4" Drive Deep Socket 13 mm
DWMT86256	6PT 3/8" Drive Socket 5/16"
DWMT88976	6PT 3/8" Drive Socket 3/8"
DWMT88977	6PT 3/8" Drive Socket 7/16"
DWMT88978	6PT 3/8" Drive Socket 1/2"
DWMT88979	6PT 3/8" Drive Socket 9/16"
DWMT88980	6PT 3/8" Drive Socket 5/8"
DWMT88981	6PT 3/8" Drive Socket 11/16"
DWMT88982	6PT 3/8" Drive Socket 3/4"
DWMT88983	6PT 3/8" Drive Socket 13/16"
DWMT88984	6PT 3/8" Drive Socket 7/8"
DWMT86305	6PT 3/8" Drive Socket 10 mm
DWMT86306	6PT 3/8" Drive Socket 11 mm
DWMT86307	6PT 3/8" Drive Socket 12 mm
DWMT86308	6PT 3/8" Drive Socket 13 mm
DWMT86309	6PT 3/8" Drive Socket 14 mm
DWMT86310	6PT 3/8" Drive Socket 15 mm
DWMT86311	6PT 3/8" Drive Socket 16 mm
DWMT86312	6PT 3/8" Drive Socket 17 mm
DWMT86313	6PT 3/8" Drive Socket 18 mm
DWMT86314	6PT 3/8" Drive Socket 19 mm
DWMT88989	6PT 3/8" Drive Deep Socket 5/8"
DWMT88990	6PT 3/8" Drive Deep Socket 11/16"
DWMT88991	6PT 3/8" Drive Deep Socket 3/4"
DWMT88992	6PT 3/8" Drive Deep Socket 13/16"
DWMT88971	6PT 3/8" Drive Deep Socket 7/8"
DWMT86327	6PT 3/8" Drive Deep Socket 15 mm
DWMT88825	6PT 3/8" Drive Deep Socket 16 mm
DWMT86328	6PT 3/8" Drive Deep Socket 17 mm
DWMT94955	6PT 3/8" Drive Deep Socket 18 mm



CONTENTS	DESCRIPTION
DWMT94961	6PT 3/8" Drive Deep Socket 19 mm
DWMT86444	6PT 1/2" Drive Socket 1/2"
DWMT86445	6PT 1/2" Drive Socket 9/16"
DWMT88766	6PT 1/2" Drive Socket 5/8"
DWMT86448	6PT 1/2" Drive Socket 11/16"
DWMT86449	6PT 1/2" Drive Socket 3/4"
DWMT86451	6PT 1/2" Drive Socket 13/16"
DWMT86452	6PT 1/2" Drive Socket 7/8"
DWMT86453	6PT 1/2" Drive Socket 15/16"
DWMT86512	6PT 1/2" Drive Socket 12 mm
DWMT86513	6PT 1/2" Drive Socket 13 mm
DWMT86514	6PT 1/2" Drive Socket 14 mm
DWMT86515	6PT 1/2" Drive Socket 15 mm
DWMT86517	6PT 1/2" Drive Socket 17 mm
DWMT86518	6PT 1/2" Drive Socket 18 mm
DWMT86519	6PT 1/2" Drive Socket 19 mm
DWMT86521	6PT 1/2" Drive Socket 21 mm
DWMT86380	3/8" Drive Spark Plug Socket 5/8"
DWMT85802	3/8" Drive Spark Plug Socket 3/4"
DWMT75311	3/8" X 1/4" Reducing Adapter
DWMT86007	1/4" Drive 6" Extension
DWMT86207	3/8" Drive 6" Extension
DWMT86407	1/2" Drive 5" Extension
DWMT86011	1/4" Drive Universal Joint
DWMT86211	3/8" Drive Universal Joint
DWMT86411	1/2" Drive Universal Joint
DWMT71803	1/4 Drive Pear Head Ratchet
DWMT71804	3/8 Drive Pear Head Ratchet
DWMT71805	1/2 Drive Pear Head Ratchet
DWMT72191	Combination Wrench 5/16"
DWMT72193	Combination Wrench 3/8"

CONTENTS	DESCRIPTION
DWMT72194	Combination Wrench 7/16"
DWMT72195	Combination Wrench 1/2"
DWMT72196	Combination Wrench 9/16"
DWMT72197	Combination Wrench 5/8"
DWMT72211	Combination Wrench 10 mm
DWMT72212	Combination Wrench 11 mm
DWMT72213	Combination Wrench 12 mm
DWMT72215	Combination Wrench 14 mm
DWMT72216	Combination Wrench 15 mm
DWMT72217	Combination Wrench 16 mm
DWMT72591	14 Piece Standard Hex Key Set
DWMT72592	14 Piece Metric Hex Key Set
--	Vinyl Grip Multi Driver
--	4 mm Nut Driver Bit
--	5 mm Nut Driver Bit
--	6 mm Nut Driver Bit
--	7 mm Nut Driver Bit
--	8 mm Nut Driver Bit
--	5/32" Nut Driver Bit
--	3/16" Nut Driver Bit
--	7/32" Nut Driver Bit
--	1/4" Nut Driver Bit
--	9/32" Nut Driver Bit
--	5/16" Nut Driver Bit
--	11/32" Nut Driver Bit
--	3/8" Nut Driver Bit
--	7/16" Nut Driver Bit
--	1/2" Nut Driver Bit
--	22 Piece Bit Set with Storage Case

1/2" DRIVE SOCKETS SETS

- DirectTorque™ Technology
- Polished chrome vanadium finish
- Hard stamped markings

22 PIECE 1/2" DRIVE METRIC SOCKET SET - 6 POINT

PRODUCT #	CONTENTS	DESCRIPTION
DWMT19241	DWMT19287	6PT 1/2" Drive Socket 8 mm
	DWMT19290	6PT 1/2" Drive Socket 10 mm
	DWMT19291	6PT 1/2" Drive Socket 11 mm
	DWMT86512	6PT 1/2" Drive Socket 12 mm
	DWMT86513	6PT 1/2" Drive Socket 13 mm
	DWMT86514	6PT 1/2" Drive Socket 14 mm
	DWMT86515	6PT 1/2" Drive Socket 15 mm
	DWMT88738	6PT 1/2" Drive Socket 16 mm
	DWMT86517	6PT 1/2" Drive Socket 17 mm
	DWMT86518	6PT 1/2" Drive Socket 18 mm
	DWMT86519	6PT 1/2" Drive Socket 19 mm

CONTENTS	DESCRIPTION
DWMT86521	6PT 1/2" Drive Socket 21 mm
DWMT86522	6PT 1/2" Drive Socket 22 mm
DWMT86524	6PT 1/2" Drive Socket 24 mm
DWMT19293	6PT 1/2" Drive Socket 27 mm
DWMT19295	6PT 1/2" Drive Socket 30 mm
DWMT19296	6PT 1/2" Drive Socket 32 mm
DWMT19206	1/2" Drive Pear Head Ratchet
DWMT86407	1/2" Drive 5" Extension
DWMT86408	1/2" Drive 10" Extension
DWMT19204	1/2" Drive Sliding T-Handle
DWMT86411	1/2" Drive Universal Joint

- Light-weight carrying case with metal latches
- IP65 rated water seal



23 PIECE 1/2" DRIVE COMBINATION SOCKET SET

PRODUCT #	CONTENTS	DESCRIPTION
DWMT73813	DWMT86443	6PT 1/2" Drive Socket 7/16"
	DWMT86444	6PT 1/2" Drive Socket 1/2"
	DWMT86445	6PT 1/2" Drive Socket 9/16"
	DWMT88766	6PT 1/2" Drive Socket 5/8"
	DWMT86448	6PT 1/2" Drive Socket 11/16"
	DWMT86449	6PT 1/2" Drive Socket 3/4"
	DWMT86451	6PT 1/2" Drive Socket 13/16"
	DWMT86452	6PT 1/2" Drive Socket 7/8"
	DWMT86453	6PT 1/2" Drive Socket 15/16"
	DWMT86455	6PT 1/2" Drive Socket 1"
	DWMT86513	6PT 1/2" Drive Socket 13 mm

CONTENTS	DESCRIPTION
DWMT86514	6PT 1/2" Drive Socket 14 mm
DWMT86515	6PT 1/2" Drive Socket 15 mm
DWMT88738	6PT 1/2" Drive Socket 16 mm
DWMT86517	6PT 1/2" Drive Socket 17 mm
DWMT86518	6PT 1/2" Drive Socket 18 mm
DWMT86519	6PT 1/2" Drive Socket 19 mm
DWMT86521	6PT 1/2" Drive Socket 21 mm
DWMT86522	6PT 1/2" Drive Socket 22 mm
DWMT86524	6PT 1/2" Drive Socket 24 mm
DWMT86407	1/2" Drive 5" Extension
DWMT71805	1/2 Drive Pear Head Ratchet
--	1/2" Drive Drill Adapter

- Interlocking stackable case with removable inner tray



10 PIECE 1/2" DRIVE DEEP SOCKET SET

PRODUCT #	CONTENTS	DESCRIPTION
DWMT73814	DWMT89532	6PT 1/2" Drive Deep Socket 7/16"
	DWMT88945	6PT 1/2" Drive Deep Socket 1/2"
	DWMT88946	6PT 1/2" Drive Deep Socket 9/16"
	DWMT88947	6PT 1/2" Drive Deep Socket 5/8"
	DWMT88948	6PT 1/2" Drive Deep Socket 11/16"

CONTENTS	DESCRIPTION
DWMT88949	6PT 1/2" Drive Deep Socket 3/4"
DWMT88950	6PT 1/2" Drive Deep Socket 13/16"
DWMT88951	6PT 1/2" Drive Deep Socket 7/8"
DWMT88952	6PT 1/2" Drive Deep Socket 15/16"
DWMT88953	6PT 1/2" Drive Deep Socket 1"

- Interlocking stackable case with removable inner tray



10 PIECE 1/2" DRIVE DEEP METRIC SOCKET SET

PRODUCT #	CONTENTS	DESCRIPTION
DWMT73815	DWMT93528	6PT 1/2" Drive Deep Socket 13 mm
	DWMT93529	6PT 1/2" Drive Deep Socket 14 mm
	DWMT93530	6PT 1/2" Drive Deep Socket 15 mm
	DWMT93531	6PT 1/2" Drive Deep Socket 16 mm
	DWMT93532	6PT 1/2" Drive Deep Socket 17 mm

CONTENTS	DESCRIPTION
DWMT93533	6PT 1/2" Drive Deep Socket 18 mm
DWMT93534	6PT 1/2" Drive Deep Socket 19 mm
DWMT93535	6PT 1/2" Drive Deep Socket 21 mm
DWMT93536	6PT 1/2" Drive Deep Socket 22 mm
DWMT96370	6PT 1/2" Drive Deep Socket 24 mm

- Interlocking stackable case with removable inner tray



1/2" DRIVE SOCKETS

- DirectTorque™ Technology
- Polished chrome vanadium finish
- Hard stamped markings
- Knurled control ring



1/2" DRIVE SOCKETS - 6 POINT

BULK PRODUCT #	RETAIL PRODUCT #	SIZE	NUT END OUTSIDE DIA (B)	DRIVE END OUTSIDE DIA (C)	NUT DEPTH (D)	BOLT CLEARANCE DEPTH (E)	OVERALL LENGTH (L)	WEIGHT
DWMT19294B	--	3/8"	19/32"	27/32"	11/32"	7/8"	1-1/2"	0.10 lbs
DWMT86443B	DWMT864430SP	7/16"	21/32"	27/32"	11/32"	7/8"	1-1/2"	0.11 lbs
DWMT86444B	DWMT864440SP	1/2"	3/4"	27/32"	13/32"	7/8"	1-1/2"	0.12 lbs
DWMT86445B	DWMT864450SP	9/16"	13/16"	27/32"	1/2"	7/8"	1-1/2"	0.12 lbs
DWMT88766B	DWMT887660SP	5/8"	7/8"	29/32"	9/16"	7/8"	1-1/2"	0.14 lbs
DWMT86448B	DWMT864480SP	11/16"	15/16"	15/16"	9/16"	7/8"	1-1/2"	0.17 lbs
DWMT86449B	DWMT864490SP	3/4"	1-1/32"	1-1/32"	23/32"	25/32"	1-1/2"	0.18 lbs
DWMT86451B	DWMT864510SP	13/16"	1-3/32"	1-3/32"	23/32"	25/32"	1-1/2"	0.20 lbs
DWMT86452B	DWMT864520SP	7/8"	1-3/16"	1-3/16"	23/32"	25/32"	1-1/2"	0.26 lbs
DWMT86453B	DWMT864530SP	15/16"	1-1/4"	1-1/4"	23/32"	25/32"	1-1/2"	0.30 lbs
DWMT86455B	DWMT864550SP	1"	1-11/32"	1-11/32"	23/32"	29/32"	1-5/8"	0.37 lbs
DWMT86456B	DWMT864560SP	1-1/16"	1-13/32"	1-13/32"	25/32"	13/16"	1-5/8"	0.41 lbs
DWMT86457B	DWMT864570SP	1-1/8"	1-1/2"	1-1/2"	25/32"	13/16"	1-5/8"	0.47 lbs
DWMT19288B	--	1-3/16"	1-9/16"	1-9/16"	25/32"	13/16"	1-5/8"	0.51 lbs
DWMT86459B	DWMT864590SP	1-1/4"	1-21/32"	1-21/32"	25/32"	13/16"	1-5/8"	0.58 lbs
DWMT19289B	--	1-3/8"	1-3/4"	1-3/4"	15/16"	7/8"	1-25/32"	0.57 lbs

ASME B107.110



1/2" DRIVE METRIC SOCKETS - 6 POINT

BULK PRODUCT #	RETAIL PRODUCT #	SIZE	NUT END OUTSIDE DIA (B)	DRIVE END OUTSIDE DIA (C)	NUT DEPTH (D)	BOLT CLEARANCE DEPTH (E)	OVERALL LENGTH (L)	WEIGHT
DWMT19287B	--	8 mm	1/2"	27/32"	11/32"	7/8"	1-1/2"	0.10 lbs
DWMT19290B	--	10 mm	5/8"	27/32"	13/32"	7/8"	1-1/2"	0.11 lbs
DWMT19291B	--	11 mm	21/32"	27/32"	13/32"	7/8"	1-1/2"	0.11 lbs
DWMT86512B	DWMT865120SP	12 mm	23/32"	27/32"	13/32"	7/8"	1-1/2"	0.12 lbs
DWMT86513B	DWMT865130SP	13 mm	3/4"	27/32"	13/32"	7/8"	1-1/2"	0.11 lbs
DWMT86514B	DWMT865140SP	14 mm	13/16"	27/32"	13/32"	7/8"	1-1/2"	0.12 lbs
DWMT86515B	DWMT865150SP	15 mm	13/16"	27/32"	9/16"	7/8"	1-1/2"	0.12 lbs
DWMT88738B	DWMT887380SP	16 mm	7/8"	29/32"	9/16"	13/16"	1-1/2"	0.14 lbs
DWMT86517B	DWMT865170SP	17 mm	15/16"	15/16"	9/16"	13/16"	1-1/2"	0.17 lbs
DWMT86518B	DWMT865180SP	18 mm	31/32"	31/32"	9/16"	13/16"	1-1/2"	0.18 lbs
DWMT86519B	DWMT865190SP	19 mm	1-1/32"	1-1/32"	23/32"	13/16"	1-1/2"	0.19 lbs
DWMT86520B	DWMT865200SP	20 mm	1-1/16"	1-1/16"	23/32"	13/16"	1-1/2"	0.19 lbs
DWMT86521B	DWMT865210SP	21 mm	1-3/32"	1-3/32"	23/32"	13/16"	1-1/2"	0.21 lbs
DWMT86522B	DWMT865220SP	22 mm	1-3/16"	1-3/16"	23/32"	29/32"	1-9/16"	0.26 lbs
DWMT86523B	DWMT865230SP	23 mm	1-7/32"	1-7/32"	25/32"	29/32"	1-9/16"	0.32 lbs
DWMT86524B	DWMT865240SP	24 mm	1-1/4"	1-1/4"	25/32"	29/32"	1-9/16"	0.35 lbs
DWMT19292B	--	26 mm	1-11/32"	1-11/32"	13/16"	31/32"	1-11/16"	0.35 lbs
DWMT19293B	--	27 mm	1-13/32"	1-13/32"	13/16"	31/32"	1-11/16"	0.41 lbs
DWMT19295B	--	30 mm	1-9/16"	1-9/16"	13/16"	31/32"	1-11/16"	0.53 lbs
DWMT19296B	--	32 mm	1-21/32"	1-21/32"	7/8"	1-3/32"	1-25/32"	0.59 lbs
DWMT19297B	--	36 mm	1-31/32"	1-31/32"	1-5/16"	1-17/32"	2-1/4"	1.09 lbs

ASME B107.110

1/2" DRIVE SOCKETS

- DirectTorque™ Technology
- Polished chrome vanadium finish
- Hard stamped markings
- Knurled control ring

1/2" DRIVE DEEP SOCKETS - 6 POINT



BULK PRODUCT #	RETAIL PRODUCT #	SIZE	NUT END OUTSIDE DIA (B)	DRIVE END OUTSIDE DIA (C)	NUT DEPTH (D)	BOLT CLEARANCE DEPTH (E)	OVERALL LENGTH (L)	WEIGHT
DWMT19285B	--	3/8"	19/32"	7/8"	5/8"	2-15/32"	3-1/8"	0.23 lbs
DWMT89532B	DWMT895320SP	7/16"	21/32"	7/8"	5/8"	2-15/32"	3-1/8"	0.24 lbs
DWMT88945B	DWMT889450SP	1/2"	3/4"	7/8"	25/32"	2-15/32"	3-1/8"	0.26 lbs
DWMT88946B	DWMT889460SP	9/16"	13/16"	7/8"	7/8"	2-15/32"	3-1/8"	0.26 lbs
DWMT88947B	DWMT889470SP	5/8"	7/8"	29/32"	15/16"	2-7/32"	3-1/8"	0.28 lbs
DWMT88948B	DWMT889480SP	11/16"	31/32"	31/32"	1-1/32"	2-7/32"	3-1/8"	0.32 lbs
DWMT88949B	DWMT889490SP	3/4"	1-1/16"	1-1/16"	1-5/32"	2-7/32"	3-1/8"	0.41 lbs
DWMT88950B	DWMT889500SP	13/16"	1-3/32"	1-3/32"	1-7/32"	2-7/32"	3-1/8"	0.42 lbs
DWMT88951B	DWMT889510SP	7/8"	1-3/16"	1-3/16"	1-7/32"	2-7/32"	3-1/8"	0.49 lbs
DWMT88952B	DWMT889520SP	15/16"	1-1/4"	1-1/4"	1-5/16"	2-7/32"	3-1/8"	0.56 lbs
DWMT88953B	DWMT889530SP	1"	1-11/32"	1-11/32"	1-5/16"	2-7/32"	3-1/8"	0.64 lbs
DWMT88954B	DWMT889540SP	1-1/16"	1-13/32"	1-13/32"	1-5/16"	2-7/32"	3-1/8"	0.72 lbs
DWMT88955B	DWMT889550SP	1-1/8"	1-1/2"	1-1/2"	1-5/16"	2-7/32"	3-1/8"	0.77 lbs
DWMT74424B	DWMT744240SP	1-1/4"	1-5/8"	1-5/8"	1-5/16"	2-7/32"	3-1/8"	1.03 lbs

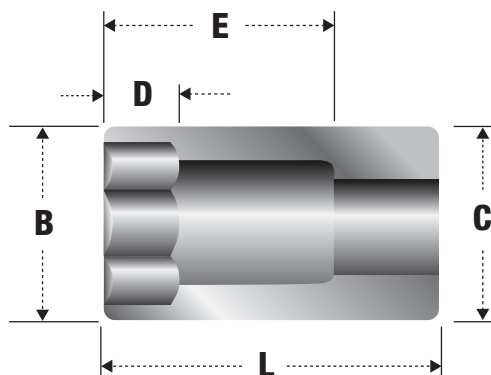
ASME B107.110

1/2" DRIVE DEEP METRIC SOCKETS - 6 POINT



BULK PRODUCT #	RETAIL PRODUCT #	SIZE	NUT END OUTSIDE DIA (B)	DRIVE END OUTSIDE DIA (C)	NUT DEPTH (D)	BOLT CLEARANCE DEPTH (E)	OVERALL LENGTH (L)	WEIGHT
DWMT19280B	--	10 mm	5/8"	7/8"	21/32"	2-15/32"	3-1/8"	0.28 lbs
DWMT19281B	--	11 mm	21/32"	7/8"	23/32"	2-15/32"	3-1/8"	0.29 lbs
DWMT19282B	--	12 mm	23/32"	7/8"	3/4"	2-15/32"	3-1/8"	0.25 lbs
DWMT93528B	DWMT935280SP	13 mm	3/4"	7/8"	13/16"	2-15/32"	3-1/8"	0.26 lbs
DWMT93529B	DWMT935290SP	14 mm	13/16"	7/8"	31/32"	2-15/32"	3-1/8"	0.26 lbs
DWMT93530B	DWMT935300SP	15 mm	13/16"	7/8"	1-3/32"	2-15/32"	3-1/8"	0.25 lbs
DWMT93531B	DWMT935310SP	16 mm	7/8"	29/32"	1-7/32"	2-15/32"	3-1/8"	0.29 lbs
DWMT93532B	DWMT935320SP	17 mm	15/16"	15/16"	1-11/32"	2-7/32"	3-1/8"	0.34 lbs
DWMT93533B	DWMT935330SP	18 mm	1"	1"	1-11/32"	2-7/32"	3-1/8"	0.36 lbs
DWMT93534B	DWMT935340SP	19 mm	1-1/32"	1-1/32"	1-13/32"	2-7/32"	3-1/8"	0.41 lbs
DWMT90168B	DWMT901680SP	20 mm	1-3/32"	1-3/32"	1-13/32"	2-7/32"	3-1/8"	0.43 lbs
DWMT93535B	DWMT935350SP	21 mm	1-3/32"	1-3/32"	1-13/32"	2-7/32"	3-1/8"	0.42 lbs
DWMT93536B	DWMT935360SP	22 mm	1-3/16"	1-3/16"	1-13/32"	2-7/32"	3-1/8"	0.49 lbs
DWMT96369B	DWMT963690SP	23 mm	1-7/32"	1-7/32"	1-13/32"	2-7/32"	3-1/8"	0.55 lbs
DWMT96370B	DWMT963700SP	24 mm	1-1/4"	1-1/4"	1-13/32"	2-7/32"	3-1/8"	0.56 lbs
DWMT19283B	--	27 mm	1-13/32"	1-13/32"	1-13/32"	2-7/32"	3-1/8"	0.72 lbs
DWMT19284B	--	28 mm	1-15/32"	1-15/32"	1-13/32"	2-7/32"	3-1/8"	0.77 lbs
DWMT19286B	--	30 mm	1-9/16"	1-9/16"	1-13/32"	2-7/32"	3-1/8"	0.99 lbs

ASME B107.110



1/2" DRIVE SOCKETS

- DirectTorque™ Technology
- Polished chrome vanadium finish
- Hard stamped markings
- Knurled control ring



1/2" DRIVE SOCKETS - 12 POINT

BULK PRODUCT #	RETAIL PRODUCT #	SIZE	NUT END OUTSIDE DIA (B)	DRIVE END OUTSIDE DIA (C)	NUT DEPTH (D)	BOLT CLEARANCE DEPTH (E)	OVERALL LENGTH (L)	WEIGHT
DWMT74587B	DWMT74587OSP	3/8"	19/32"	27/32"	11/32"	7/8"	1-1/2"	0.11 lbs
DWMT74591B	DWMT74591OSP	7/16"	21/32"	27/32"	11/32"	7/8"	1-1/2"	0.11 lbs
DWMT74560B	DWMT74560OSP	1/2"	3/4"	27/32"	13/32"	7/8"	1-1/2"	0.12 lbs
DWMT74593B	DWMT74593OSP	9/16"	13/16"	27/32"	1/2"	7/8"	1-1/2"	0.12 lbs
DWMT74590B	DWMT74590OSP	5/8"	7/8"	29/32"	9/16"	7/8"	1-1/2"	0.14 lbs
DWMT74563B	DWMT74563OSP	11/16"	15/16"	15/16"	9/16"	7/8"	1-1/2"	0.17 lbs
DWMT74586B	DWMT74586OSP	3/4"	1-1/32"	1-1/32"	23/32"	25/32"	1-1/2"	0.18 lbs
DWMT74569B	DWMT74569OSP	13/16"	1-3/32"	1-3/32"	23/32"	25/32"	1-1/2"	0.20 lbs
DWMT74592B	DWMT74592OSP	7/8"	1-3/16"	1-3/16"	23/32"	25/32"	1-1/2"	0.25 lbs
DWMT74572B	DWMT74572OSP	15/16"	1-1/4"	1-1/4"	23/32"	25/32"	1-1/2"	0.30 lbs
DWMT74559B	DWMT74559OSP	1"	1-11/32"	1-11/32"	23/32"	29/32"	1-5/8"	0.33 lbs
DWMT74564B	DWMT74564OSP	1-1/16"	1-13/32"	1-13/32"	25/32"	13/16"	1-5/8"	0.40 lbs
DWMT86473B	DWMT86473OSP	1-1/8"	1-1/2"	1-1/2"	25/32"	13/16"	1-5/8"	0.46 lbs
DWMT19274B	--	1-3/16"	1-9/16"	1-9/16"	25/32"	13/16"	1-5/8"	0.51 lbs
DWMT86474B	DWMT86474OSP	1-1/4"	1-5/8"	1-5/8"	1-5/16"	13/16"	3-1/8"	0.57 lbs

ASME B107.110



1/2" DRIVE METRIC SOCKETS - 12 POINT

BULK PRODUCT #	RETAIL PRODUCT #	SIZE	NUT END OUTSIDE DIA (B)	DRIVE END OUTSIDE DIA (C)	NUT DEPTH (D)	BOLT CLEARANCE DEPTH (E)	OVERALL LENGTH (L)	WEIGHT
DWMT19278B	--	8 mm	1/2"	27/32"	11/32"	7/8"	1-1/2"	0.10 lbs
DWMT19279B	--	9 mm	9/16"	27/32"	13/32"	7/8"	1-1/2"	0.11 lbs
DWMT74561B	DWMT74561OSP	10 mm	5/8"	27/32"	13/32"	7/8"	1-1/2"	0.11 lbs
DWMT74562B	DWMT74562OSP	11 mm	21/32"	27/32"	13/32"	7/8"	1-1/2"	0.11 lbs
DWMT74567B	DWMT74567OSP	12 mm	23/32"	27/32"	13/32"	7/8"	1-1/2"	0.11 lbs
DWMT74568B	DWMT74568OSP	13 mm	3/4"	27/32"	13/32"	7/8"	1-1/2"	0.11 lbs
DWMT74570B	DWMT74570OSP	14 mm	13/16"	27/32"	13/32"	7/8"	1-1/2"	0.12 lbs
DWMT74571B	DWMT74571OSP	15 mm	13/16"	27/32"	9/16"	7/8"	1-1/2"	0.12 lbs
DWMT74573B	DWMT74573OSP	16 mm	7/8"	29/32"	9/16"	13/16"	1-1/2"	0.14 lbs
DWMT74574B	DWMT74574OSP	17 mm	15/16"	15/16"	9/16"	13/16"	1-1/2"	0.17 lbs
DWMT74575B	DWMT74575OSP	18 mm	31/32"	31/32"	9/16"	13/16"	1-1/2"	0.17 lbs
DWMT74576B	DWMT74576OSP	19 mm	1-1/32"	1-1/32"	23/32"	13/16"	1-1/2"	0.18 lbs
DWMT74577B	DWMT74577OSP	20 mm	1-1/16"	1-1/16"	23/32"	13/16"	1-1/2"	0.18 lbs
DWMT74578B	DWMT74578OSP	21 mm	1-3/32"	1-3/32"	23/32"	13/16"	1-1/2"	0.21 lbs
DWMT74579B	DWMT74579OSP	22 mm	1-3/16"	1-3/16"	23/32"	29/32"	1-9/16"	0.25 lbs
DWMT74580B	DWMT74580OSP	23 mm	1-7/32"	1-7/32"	25/32"	29/32"	1-9/16"	0.33 lbs
DWMT74581B	DWMT74581OSP	24 mm	1-1/4"	1-1/4"	25/32"	29/32"	1-9/16"	0.30 lbs
DWMT74582B	DWMT74582OSP	25 mm	1-9/32"	1-9/32"	25/32"	29/32"	1-9/16"	0.31 lbs
DWMT74583B	DWMT74583OSP	26 mm	1-11/32"	1-11/32"	13/16"	31/32"	1-11/16"	0.36 lbs
DWMT74584B	DWMT74584OSP	27 mm	1-13/32"	1-13/32"	13/16"	31/32"	1-11/16"	0.40 lbs
DWMT74585B	DWMT74585OSP	28 mm	1-15/32"	1-15/32"	13/16"	31/32"	1-11/16"	0.46 lbs
DWMT19276B	--	29 mm	1-1/2"	1-1/2"	13/16"	31/32"	1-11/16"	0.46 lbs
DWMT74588B	DWMT74588OSP	30 mm	1-9/16"	1-9/16"	13/16"	31/32"	1-11/16"	0.53 lbs
DWMT74589B	DWMT74589OSP	32 mm	1-21/32"	1-21/32"	7/8"	1-3/32"	1-25/32"	0.59 lbs
DWMT19277B	--	36 mm	1-31/32"	1-31/32"	1-5/16"	1-17/32"	2-1/4"	1.09 lbs

ASME B107.110

1/2" DRIVE SOCKETS

- DirectTorque™ Technology
- Polished chrome vanadium finish
- Hard stamped markings
- Knurled control ring

1/2" DRIVE DEEP SOCKETS - 12 POINT



BULK PRODUCT #	RETAIL PRODUCT #	SIZE	NUT END OUTSIDE DIA (B)	DRIVE END OUTSIDE DIA (C)	NUT DEPTH (D)	BOLT CLEARANCE DEPTH (E)	OVERALL LENGTH (L)	WEIGHT
DWMT19271B	--	3/8"	19/32"	7/8"	5/8"	1-27/32"	3-1/8"	0.23 lbs
DWMT74556B	DWMT745560SP	7/16"	21/32"	7/8"	5/8"	1-27/32"	3-1/8"	0.24 lbs
DWMT74536B	DWMT745360SP	1/2"	3/4"	7/8"	25/32"	1-11/16"	3-1/8"	0.26 lbs
DWMT74558B	DWMT745580SP	9/16"	13/16"	7/8"	7/8"	1-5/8"	3-1/8"	0.26 lbs
DWMT74555B	DWMT745550SP	5/8"	7/8"	29/32"	15/16"	1-1/4"	3-1/8"	0.28 lbs
DWMT74537B	DWMT745370SP	11/16"	31/32"	31/32"	1-1/32"	1-3/16"	3-1/8"	0.32 lbs
DWMT74554B	DWMT745540SP	3/4"	1-1/16"	1-1/16"	1-5/32"	1-1/16"	3-1/8"	0.39 lbs
DWMT74543B	DWMT745430SP	13/16"	1-3/32"	1-3/32"	1-7/32"	31/32"	3-1/8"	0.41 lbs
DWMT74557B	DWMT745570SP	7/8"	1-3/16"	1-3/16"	1-7/32"	31/32"	3-1/8"	0.47 lbs
DWMT74546B	DWMT745460SP	15/16"	1-1/4"	1-1/4"	1-5/16"	29/32"	3-1/8"	0.54 lbs
DWMT74535B	DWMT745350SP	1"	1-11/32"	1-11/32"	1-5/16"	29/32"	3-1/8"	0.64 lbs
DWMT74538B	DWMT745380SP	1-1/16"	1-13/32"	1-13/32"	1-5/16"	29/32"	3-1/8"	0.69 lbs
DWMT74540B	DWMT745400SP	1-1/8"	1-1/2"	1-1/2"	1-5/16"	29/32"	3-1/8"	0.77 lbs
DWMT74539B	DWMT745390SP	1 1/4"	1-5/8"	1-5/8"	1-5/16"	29/32"	3-1/8"	0.79 lbs

ASME B107.110

1/2" DRIVE DEEP METRIC SOCKETS - 12 POINT



BULK PRODUCT #	RETAIL PRODUCT #	SIZE	NUT END OUTSIDE DIA (B)	DRIVE END OUTSIDE DIA (C)	NUT DEPTH (D)	BOLT CLEARANCE DEPTH (E)	OVERALL LENGTH (L)	WEIGHT
DWMT19266B	--	10 mm	5/8"	7/8"	21/32"	1-13/16"	3-1/8"	0.28 lbs
DWMT19267B	--	11 mm	21/32"	7/8"	23/32"	1-25/32"	3-1/8"	0.29 lbs
DWMT74541B	DWMT745410SP	12 mm	23/32"	7/8"	3/4"	1-23/32"	3-1/8"	0.25 lbs
DWMT74542B	DWMT745420SP	13 mm	3/4"	7/8"	13/16"	1-21/32"	3-1/8"	0.25 lbs
DWMT74544B	DWMT745440SP	14 mm	13/16"	7/8"	31/32"	1-1/2"	3-1/8"	0.26 lbs
DWMT74545B	DWMT745450SP	15 mm	13/16"	7/8"	1-3/32"	1-3/8"	3-1/8"	0.24 lbs
DWMT74547B	DWMT745470SP	16 mm	7/8"	29/32"	1-7/32"	1-1/4"	3-1/8"	0.28 lbs
DWMT74548B	DWMT745480SP	17 mm	15/16"	15/16"	1-11/32"	7/8"	3-1/8"	0.34 lbs
DWMT74549B	DWMT745490SP	18 mm	1"	1"	1-11/32"	7/8"	3-1/8"	0.35 lbs
DWMT74550B	DWMT745500SP	19 mm	1-1/32"	1-1/32"	1-13/32"	25/32"	3-1/8"	0.39 lbs
DWMT86428B	DWMT864280SP	20 mm	1-3/32"	1-3/32"	1-13/32"	25/32"	3-1/8"	0.43 lbs
DWMT74551B	DWMT745510SP	21 mm	1-3/32"	1-3/32"	1-13/32"	25/32"	3-1/8"	0.41 lbs
DWMT74552B	DWMT745520SP	22 mm	1-3/16"	1-3/16"	1-13/32"	25/32"	3-1/8"	0.47 lbs
DWMT19268B	--	23 mm	1-7/32"	1-7/32"	1-13/32"	25/32"	3-1/8"	0.55 lbs
DWMT74553B	DWMT745530SP	24 mm	1-1/4"	1-1/4"	1-13/32"	25/32"	3-1/8"	0.54 lbs
DWMT19269B	--	27 mm	1-13/32"	1-13/32"	1-13/32"	25/32"	3-1/8"	0.69 lbs
DWMT19270B	--	28 mm	1-15/32"	1-15/32"	1-13/32"	25/32"	3-1/8"	0.99 lbs
DWMT19272B	--	30 mm	1-9/16"	1-9/16"	1-13/32"	25/32"	3-1/8"	1.06 lbs
DWMT19273B	--	32 mm	1-5/8"	1-5/8"	1-13/32"	25/32"	3-1/8"	1.10 lbs

ASME B107.110



3/4" DRIVE MECHANICS TOOLS

3/4" DRIVE SOCKETS

- DirectTorque™ Technology
- Polished chrome vanadium finish
- Hard stamped markings
- Knurled control ring



3/4" DRIVE SOCKETS - 12 POINT

BULK PRODUCT #	RETAIL PRODUCT #	SIZE	NUT END OUTSIDE DIA (B)	DRIVE END OUTSIDE DIA (C)	NUT DEPTH (D)	BOLT CLEARANCE DEPTH (E)	OVERALL LENGTH (L)	WEIGHT
DWMT74611B	DWMT746110SP	7/8"	1-1/4"	1-13/32"	9/16"	15/32"	1-31/32"	0.50 lbs
DWMT74602B	DWMT746020SP	5/16"	1-11/32"	1-13/32"	5/8"	13/32"	1-31/32"	0.50 lbs
DWMT74607B	DWMT746070SP	1"	1-13/32"	1-3/8"	5/9"	15/32"	2-1/16"	0.48 lbs
DWMT74594B	DWMT745940SP	1-1/16"	1-1/2"	1-13/32"	7/8"	1/4"	2-1/16"	0.63 lbs
DWMT74596B	DWMT745960SP	1-1/8"	1-9/16"	1-1/2"	7/8"	1/4"	2-1/16"	0.57 lbs
--	DWMT754390SP	1-1/4"	1-23/32"	1-1/2"	15/16"	5/16"	2-7/32"	0.69 lbs
DWMT74601B	DWMT746010SP	1-5/16"	1-13/16"	1-1/2"	1-1/32"	1/4"	2-7/32"	0.77 lbs
DWMT74600B	DWMT746000SP	1-3/8"	1-7/8"	1-21/32"	1-1/32"	5/16"	2-9/32"	0.84 lbs
DWMT74604B	DWMT746040SP	1-7/16"	1-31/32"	1-21/32"	1-3/32"	1/4"	2-9/32"	0.94 lbs
DWMT74595B	DWMT745950SP	1-1/2"	2-1/16"	1-25/32"	1-3/32"	5/16"	2-3/8"	1.06 lbs
DWMT74606B	DWMT746060SP	1-9/16"	2-1/16"	1-25/33"	1-3/16"	5/16"	2-7/16"	1.27 lbs
DWMT74603B	DWMT746030SP	1-5/8"	2-7/32"	1-25/34"	1-3/16"	13/32"	2-17/32"	1.17 lbs
DWMT74597B	DWMT745970SP	1-11/16"	2-9/32"	1-25/35"	1-1/4"	11/32"	2-9/16"	1.32 lbs
--	DWMT746410SP	1-3/4"	2-3/8"	1-7/8"	1-1/4"	13/32"	2-19/32"	1.51 lbs
DWMT74598B	DWMT745980SP	1-13/16"	2-7/16"	1-27/32"	1-11/32"	13/32"	2-11/16"	1.52 lbs
DWMT74605B	DWMT746050SP	1-7/8"	2-17/32"	1-7/8"	1-11/32"	15/32"	2-3/4"	1.65 lbs
DWMT74608B	DWMT746080SP	2"	2-11/16"	1-7/8"	1-13/32"	15/32"	2-27/32"	1.87 lbs



**IMPACT SOCKETS
& ACCESSORIES**

IMPACT SOCKETS



IMPACT SOCKETS

1/4" Drive Impact Socket Sets..... 46
 1/4" Drive Impact Sockets 47
 3/8" Drive Impact Socket Sets..... 49
 3/8" Drive Impact Sockets 50
 1/2" Drive Impact Socket Sets..... 52
 1/2" Drive Impact Sockets 55
 3/4" Drive Impact Sockets 58
 Impact Accessories 60

1/4" DRIVE IMPACT SOCKET SETS

- Heat treated CR-440 steel
- DirectTorque™ Technology
- Laser etched markings
- Black oxide coating
- O-ring and retaining pin compatible
- Light-weight carrying case with metal latches
- IP65 rated water seal

48 PIECE 1/4" DRIVE COMBINATION IMPACT SOCKET SET - 6 POINT

PRODUCT #	CONTENTS	DESCRIPTION	CONTENTS	DESCRIPTION
DWMT19251			DWMT17240	1/4" Drive Deep Impact Socket 6PT 1/2"
	DWMT17313	1/4" Drive Deep Impact Socket 6PT 4 mm	DWMT17322	1/4" Drive Deep Impact Socket 6PT 9/16"
	DWMT17312	1/4" Drive Deep Impact Socket 6PT 4.5 mm	DWMT17347	1/4" Drive Impact Socket 6PT 4 mm
	DWMT17316	1/4" Drive Deep Impact Socket 6PT 5 mm	DWMT17346	1/4" Drive Impact Socket 6PT 4.5 mm
	DWMT17314	1/4" Drive Deep Impact Socket 6PT 5.5 mm	DWMT19000	1/4" Drive Impact Socket 6PT 5 mm
	DWMT17317	1/4" Drive Deep Impact Socket 6PT 6 mm	DWMT17348	1/4" Drive Impact Socket 6PT 5.5 mm
	DWMT17320	1/4" Drive Deep Impact Socket 6PT 7 mm	DWMT19002	1/4" Drive Impact Socket 6PT 6 mm
	DWMT17321	1/4" Drive Deep Impact Socket 6PT 8 mm	DWMT19006	1/4" Drive Impact Socket 6PT 7 mm
	DWMT17324	1/4" Drive Deep Impact Socket 6PT 9 mm	DWMT19007	1/4" Drive Impact Socket 6PT 8 mm
	DWMT17242	1/4" Drive Deep Impact Socket 6PT 10 mm	DWMT19010	1/4" Drive Impact Socket 6PT 9 mm
	DWMT17244	1/4" Drive Deep Impact Socket 6PT 11 mm	DWMT17327	1/4" Drive Impact Socket 6PT 10 mm
	DWMT17245	1/4" Drive Deep Impact Socket 6PT 12 mm	DWMT17329	1/4" Drive Impact Socket 6PT 11 mm
	DWMT17246	1/4" Drive Deep Impact Socket 6PT 13 mm	DWMT17340	1/4" Drive Impact Socket 6PT 12 mm
	DWMT17247	1/4" Drive Deep Impact Socket 6PT 14 mm	DWMT17341	1/4" Drive Impact Socket 6PT 13 mm
	DWMT17248	1/4" Drive Deep Impact Socket 6PT 15 mm	DWMT17342	1/4" Drive Impact Socket 6PT 14 mm
	DWMT17249	1/4" Drive Deep Impact Socket 6PT 3/16"	DWMT17343	1/4" Drive Impact Socket 6PT 15 mm
	DWMT17319	1/4" Drive Deep Impact Socket 6PT 7/32"	DWMT17344	1/4" Drive Impact Socket 6PT 3/16"
	DWMT17241	1/4" Drive Deep Impact Socket 6PT 1/4"	DWMT19004	1/4" Drive Impact Socket 6PT 7/32"
	DWMT17323	1/4" Drive Deep Impact Socket 6PT 9/32"	DWMT17326	1/4" Drive Impact Socket 6PT 1/4"
	DWMT17315	1/4" Drive Deep Impact Socket 6PT 5/16"	DWMT19009	1/4" Drive Impact Socket 6PT 9/32"
	DWMT17243	1/4" Drive Deep Impact Socket 6PT 11/32"	DWMT17349	1/4" Drive Impact Socket 6PT 5/16"
	DWMT17311	1/4" Drive Deep Impact Socket 6PT 3/8"	DWMT17328	1/4" Drive Impact Socket 6PT 11/32"
	DWMT17318	1/4" Drive Deep Impact Socket 6PT 7/16"	DWMT17345	1/4" Drive Impact Socket 6PT 3/8"



CONTENTS	DESCRIPTION
DWMT19003	1/4" Drive Impact Socket 6PT 7/16"
DWMT17325	1/4" Drive Impact Socket 6PT 1/2"
DWMT19008	1/4" Drive Impact Socket 6PT 9/16"

1/4" DRIVE IMPACT SOCKETS

- Heat treated CR-440 steel
- DirectTorque™ Technology
- Laser etched markings
- Black oxide coating
- O-ring and retaining pin compatible



1/4" DRIVE IMPACT SOCKETS - 6 POINT

BULK PRODUCT #	SIZE	NUT END OUTSIDE DIA (B)	DRIVE END OUTSIDE DIA (C)	NUT DEPTH (D)	BOLT CLEARANCE DEPTH (E)	OVERALL LENGTH (L)	WEIGHT
DWMT17344B	3/16"	11/32"	1/2"	13/32"	5/16"	29/32"	0.03 lbs
DWMT19004B	7/32"	3/8"	1/2"	13/32"	5/16"	29/32"	0.04 lbs
DWMT17326B	1/4"	13/32"	1/2"	7/16"	5/16"	29/32"	0.03 lbs
DWMT19009B	9/32"	7/16"	1/2"	7/16"	5/16"	29/32"	0.03 lbs
DWMT17349B	5/16"	15/32"	1/2"	7/16"	5/16"	29/32"	0.03 lbs
DWMT17328B	11/32"	1/2"	1/2"	7/16"	5/16"	29/32"	0.03 lbs
DWMT17345B	3/8"	9/16"	1/2"	7/16"	5/16"	29/32"	0.03 lbs
DWMT19003B	7/16"	5/8"	1/2"	7/16"	5/16"	29/32"	0.04 lbs
DWMT17325B	1/2"	23/32"	1/2"	7/16"	5/16"	29/32"	0.04 lbs
DWMT19008B	9/16"	25/32"	1/2"	7/16"	5/16"	29/32"	0.05 lbs

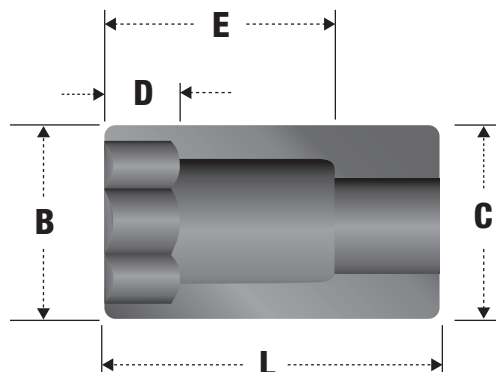
ASME B107.110

1/4" DRIVE METRIC IMPACT SOCKETS - 6 POINT



BULK PRODUCT #	SIZE	NUT END OUTSIDE DIA (B)	DRIVE END OUTSIDE DIA (C)	NUT DEPTH (D)	BOLT CLEARANCE DEPTH (E)	OVERALL LENGTH (L)	WEIGHT
DWMT17347B	4 mm	9/32"	1/2"	3/16"	11/32"	29/32"	0.04 lbs
DWMT17346B	4.5 mm	5/16"	1/2"	3/16"	11/32"	29/32"	0.04 lbs
DWMT19000B	5 mm	11/32"	1/2"	1/4"	11/32"	29/32"	0.04 lbs
DWMT17348B	5.5 mm	3/8"	1/2"	1/4"	11/32"	29/32"	0.03 lbs
DWMT19002B	6 mm	3/8"	1/2"	5/16"	11/32"	29/32"	0.03 lbs
DWMT19006B	7 mm	7/16"	1/2"	5/16"	11/32"	29/32"	0.03 lbs
DWMT19007B	8 mm	15/32"	1/2"	5/16"	11/32"	29/32"	0.03 lbs
DWMT19010B	9 mm	17/32"	1/2"	5/16"	11/32"	29/32"	0.03 lbs
DWMT17327B	10 mm	9/16"	1/2"	5/16"	11/32"	29/32"	0.03 lbs
DWMT17329B	11 mm	5/8"	1/2"	11/32"	11/32"	29/32"	0.04 lbs
DWMT17340B	12 mm	21/32"	1/2"	11/32"	11/32"	29/32"	0.04 lbs
DWMT17341B	13 mm	3/4"	1/2"	11/32"	7/16"	29/32"	0.04 lbs
DWMT17342B	14 mm	25/32"	1/2"	11/32"	7/16"	29/32"	0.05 lbs
DWMT17343B	15 mm	13/16"	1/2"	11/32"	7/16"	29/32"	0.05 lbs

ASME B107.110



1/4" DRIVE IMPACT SOCKETS

- Heat treated CR-440 steel
- DirectTorque™ Technology
- Laser etched markings
- Black oxide coating
- O-ring and retaining pin compatible



1/4" DRIVE DEEP IMPACT SOCKETS - 6 POINT

BULK PRODUCT #	SIZE	NUT END OUTSIDE DIA (B)	DRIVE END OUTSIDE DIA (C)	NUT DEPTH (D)	BOLT CLEARANCE DEPTH (E)	OVERALL LENGTH (L)	WEIGHT
DWMT17249B	3/16"	11/32"	1/2"	11/32"	1-3/16"	1-31/32"	0.06 lbs
DWMT17319B	7/32"	3/8"	1/2"	11/32"	1-3/16"	1-31/32"	0.07 lbs
DWMT17241B	1/4"	13/32"	1/2"	7/16"	1-3/16"	1-31/32"	0.07 lbs
DWMT17323B	9/32"	7/16"	1/2"	7/16"	1-3/16"	1-31/32"	0.07 lbs
DWMT17315B	5/16"	15/32"	1/2"	1/2"	1-3/16"	1-31/32"	0.07 lbs
DWMT17243B	11/32"	17/32"	1/2"	1/2"	1-5/16"	1-31/32"	0.08 lbs
DWMT17311B	3/8"	9/16"	1/2"	1/2"	1-5/16"	1-31/32"	0.09 lbs
DWMT17318B	7/16"	5/8"	1/2"	1/2"	1-5/16"	1-31/32"	0.09 lbs
DWMT17240B	1/2"	3/4"	1/2"	1/2"	1-5/16"	1-31/32"	0.12 lbs
DWMT17322B	9/16"	25/32"	1/2"	1/2"	1-5/16"	1-31/32"	0.13 lbs

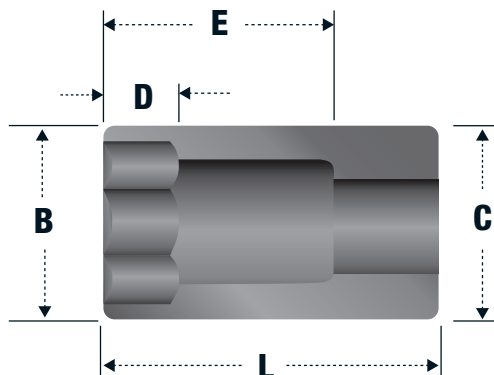
ASME B107.110

1/4" DRIVE DEEP METRIC IMPACT SOCKETS - 6 POINT



BULK PRODUCT #	SIZE	NUT END OUTSIDE DIA (B)	DRIVE END OUTSIDE DIA (C)	NUT DEPTH (D)	BOLT CLEARANCE DEPTH (E)	OVERALL LENGTH (L)	WEIGHT
DWMT17313B	4 mm	9/32"	1/2"	9/32"	1-3/16"	1-31/32"	0.06 lbs
DWMT17312B	4.5 mm	5/16"	1/2"	5/16"	1-3/16"	1-31/32"	0.06 lbs
DWMT17316B	5 mm	11/32"	1/2"	11/32"	1-3/16"	1-31/32"	0.06 lbs
DWMT17314B	5.5 mm	3/8"	1/2"	11/32"	1-3/16"	1-31/32"	0.07 lbs
DWMT17317B	6 mm	3/8"	1/2"	7/16"	1-3/16"	1-31/32"	0.07 lbs
DWMT17320B	7 mm	7/16"	1/2"	7/16"	1-3/16"	1-31/32"	0.07 lbs
DWMT17321B	8 mm	15/32"	1/2"	1/2"	1-3/16"	1-31/32"	0.07 lbs
DWMT17324B	9 mm	17/32"	1/2"	1/2"	1-5/16"	1-31/32"	0.08 lbs
DWMT17242B	10 mm	9/16"	1/2"	1/2"	1-5/16"	1-31/32"	0.08 lbs
DWMT17244B	11 mm	5/8"	1/2"	1/2"	1-5/16"	1-31/32"	0.10 lbs
DWMT17245B	12 mm	21/32"	1/2"	1/2"	1-5/16"	1-31/32"	0.10 lbs
DWMT17246B	13 mm	3/4"	1/2"	1/2"	1-5/16"	1-31/32"	0.13 lbs
DWMT17247B	14 mm	25/32"	1/2"	1/2"	1-5/16"	1-31/32"	0.13 lbs
DWMT17248B	15 mm	13/16"	1/2"	1/2"	1-5/16"	1-31/32"	0.15 lbs

ASME B107.110



3/8" DRIVE IMPACT SOCKET SETS

- Heat treated CR-440 steel
- DirectTorque™ Technology
- Laser etched markings
- Black oxide coating
- O-ring and retaining pin compatible

42 PIECE 3/8" DRIVE COMBINATION IMPACT SOCKET SET - 6 POINT

- Light-weight carrying case with metal latches
- IP65 rated water seal

PRODUCT #	CONTENTS	DESCRIPTION	CONTENTS	DESCRIPTION
DWMT19248			DWMT19211	3/8" Drive Impact Socket 6PT 9 mm
DWMT19224	3/8" Deep Impact Socket 6PT 8 mm		DWMT19197	3/8" Drive Impact Socket 6PT 10 mm
DWMT19225	3/8" Deep Impact Socket 6PT 9 mm		DWMT19198	3/8" Drive Impact Socket 6PT 11 mm
DWMT19213	3/8" Deep Impact Socket 6PT 10 mm		DWMT74491	3/8" Drive Impact Socket 6PT 12 mm
DWMT19214	3/8" Deep Impact Socket 6PT 11 mm		DWMT74492	3/8" Drive Impact Socket 6PT 13 mm
DWMT19215	3/8" Deep Impact Socket 6PT 12 mm		DWMT74493	3/8" Drive Impact Socket 6PT 14 mm
DWMT19216	3/8" Deep Impact Socket 6PT 13 mm		DWMT74494	3/8" Drive Impact Socket 6PT 15 mm
DWMT19217	3/8" Deep Impact Socket 6PT 14 mm		DWMT74495	3/8" Drive Impact Socket 6PT 16 mm
DWMT19218	3/8" Deep Impact Socket 6PT 15 mm		DWMT74496	3/8" Drive Impact Socket 6PT 17 mm
DWMT19219	3/8" Deep Impact Socket 6PT 16 mm		DWMT74497	3/8" Drive Impact Socket 6PT 18 mm
DWMT19220	3/8" Deep Impact Socket 6PT 17 mm		DWMT74498	3/8" Drive Impact Socket 6PT 19 mm
DWMT19221	3/8" Deep Impact Socket 6PT 18 mm		DWMT19208	3/8" Drive Impact Socket 6PT 5/16"
DWMT19222	3/8" Deep Impact Socket 6PT 19 mm		DWMT74478	3/8" Drive Impact Socket 6PT 3/8"
DWMT19055	3/8" Drive Deep Impact Socket 6PT 5/16"		DWMT74479	3/8" Drive Impact Socket 6PT 7/16"
DWMT19163	3/8" Drive Deep Impact Socket 6PT 3/8"		DWMT74481	3/8" Drive Impact Socket 6PT 1/2"
DWMT19223	3/8" Drive Deep Impact Socket 6PT 7/16"		DWMT74482	3/8" Drive Impact Socket 6PT 9/16"
DWMT19052	3/8" Drive Deep Impact Socket 6PT 1/2"		DWMT74483	3/8" Drive Impact Socket 6PT 5/8"
DWMT19162	3/8" Drive Deep Impact Socket 6PT 9/16"		DWMT74484	3/8" Drive Impact Socket 6PT 11/16"
DWMT19056	3/8" Drive Deep Impact Socket 6PT 5/8"		DWMT74486	3/8" Drive Impact Socket 6PT 3/4"
DWMT19053	3/8" Drive Deep Impact Socket 6PT 11/16"		DWMT17162	3/8" Drive Impact Extension 3"
DWMT19054	3/8" Drive Deep Impact Socket 6PT 3/4"		DWMT17165	3/8" Drive Impact Universal Joint
DWMT19209	3/8" Drive Impact Socket 6PT 8 mm			



12 PIECE 3/8" DRIVE IMPACT UNIVERSAL SOCKET SET

- Light-weight aluminum rail
- Easy slide clips

PRODUCT #	CONTENTS	DESCRIPTION	CONTENTS	DESCRIPTION
DWMT19228			DWMT19171	3/8" Drive Impact Universal Socket 11/16"
DWMT19185	3/8" Drive Impact Universal Socket 5/16"		DWMT19184	3/8" Drive Impact Universal Socket 3/4"
DWMT19051	3/8" Drive Impact Universal Socket 3/8"		DWMT19174	3/8" Drive Impact Universal Socket 13/16"
DWMT19187	3/8" Drive Impact Universal Socket 7/16"		DWMT19195	3/8" Drive Impact Universal Socket 7/8"
DWMT19169	3/8" Drive Impact Universal Socket 1/2"		DWMT19177	3/8" Drive Impact Universal Socket 15/16"
DWMT19196	3/8" Drive Impact Universal Socket 9/16"		DWMT19168	3/8" Drive Impact Universal Socket 1"
DWMT19186	3/8" Drive Impact Universal Socket 5/8"			



10 PIECE 3/8" DRIVE METRIC IMPACT UNIVERSAL SOCKET SET

- Light-weight aluminum rail
- Easy slide clips

PRODUCT #	CONTENTS	DESCRIPTION	CONTENTS	DESCRIPTION
DWMT19226			DWMT19178	3/8" Drive Impact Universal Socket 15 mm
DWMT19170	3/8" Drive Impact Universal Socket 10 mm		DWMT19179	3/8" Drive Impact Universal Socket 16 mm
DWMT19172	3/8" Drive Impact Universal Socket 11 mm		DWMT19181	3/8" Drive Impact Universal Socket 17 mm
DWMT19173	3/8" Drive Impact Universal Socket 12 mm		DWMT19182	3/8" Drive Impact Universal Socket 18 mm
DWMT19175	3/8" Drive Impact Universal Socket 13 mm		DWMT19183	3/8" Drive Impact Universal Socket 19 mm
DWMT19176	3/8" Drive Impact Universal Socket 14 mm			



3/8" DRIVE IMPACT SOCKETS

- Heat treated CR-440 steel
- DirectTorque™ Technology
- Laser etched markings
- Black oxide coating
- O-ring and retaining pin compatible



3/8" DRIVE IMPACT SOCKETS - 6 POINT

BULK PRODUCT #	SIZE	NUT END OUTSIDE DIA (B)	DRIVE END OUTSIDE DIA (C)	NUT DEPTH (D)	BOLT CLEARANCE DEPTH (E)	OVERALL LENGTH (L)	WEIGHT
DWMT19208B	5/16"	1/2"	3/4"	9/32"	1/2"	1-5/32"	0.07 lbs
DWMT74478B	3/8"	9/16"	3/4"	5/16"	1/2"	1-5/32"	0.07 lbs
DWMT74479B	7/16"	11/16"	3/4"	11/32"	1/2"	1-5/32"	0.08 lbs
DWMT74481B	1/2"	3/4"	3/4"	11/32"	1/2"	1-5/32"	0.08 lbs
DWMT74482B	9/16"	25/32"	3/4"	11/32"	1/2"	1-5/32"	0.09 lbs
DWMT74483B	5/8"	15/16"	7/8"	7/16"	1/2"	1-3/16"	0.16 lbs
DWMT74484B	11/16"	31/32"	7/8"	7/16"	1/2"	1-3/16"	0.14 lbs
DWMT74486B	3/4"	1-1/16"	7/8"	1/2"	9/16"	1-3/16"	0.16 lbs
DWMT74487B	13/16"	1-3/16"	7/8"	1/2"	9/16"	1-3/16"	0.19 lbs
DWMT74488B	7/8"	1-1/4"	7/8"	1/2"	9/16"	1-3/16"	0.22 lbs
DWMT19049B	15/16"	1-11/32"	7/8"	1/2"	9/16"	1-3/16"	0.24 lbs
DWMT74489B	1"	1-13/32"	7/8"	1/2"	9/16"	1-3/16"	0.34 lbs

ASME B107.110



3/8" DRIVE METRIC IMPACT SOCKETS - 6 POINT

BULK PRODUCT #	SIZE	NUT END OUTSIDE DIA (B)	DRIVE END OUTSIDE DIA (C)	NUT DEPTH (D)	BOLT CLEARANCE DEPTH (E)	OVERALL LENGTH (L)	WEIGHT
DWMT19050B	7 mm	7/16"	3/4"	9/32"	1/2"	1-5/32"	0.07 lbs
DWMT19209B	8 mm	1/2"	3/4"	9/32"	1/2"	1-5/32"	0.07 lbs
DWMT19211B	9 mm	9/16"	3/4"	5/16"	1/2"	1-5/32"	0.07 lbs
DWMT19197B	10 mm	19/32"	3/4"	5/16"	1/2"	1-5/32"	0.07 lbs
DWMT19198B	11 mm	21/32"	3/4"	11/32"	1/2"	1-5/32"	0.08 lbs
DWMT74491B	12 mm	23/32"	3/4"	11/32"	1/2"	1-5/32"	0.09 lbs
DWMT74492B	13 mm	3/4"	3/4"	11/32"	1/2"	1-5/32"	0.08 lbs
DWMT74493B	14 mm	25/32"	3/4"	11/32"	1/2"	1-5/32"	0.09 lbs
DWMT74494B	15 mm	7/8"	3/4"	7/16"	1/2"	1-5/32"	0.12 lbs
DWMT74495B	16 mm	15/16"	7/8"	7/16"	9/16"	1-3/16"	0.15 lbs
DWMT74496B	17 mm	31/32"	7/8"	7/16"	9/16"	1-3/16"	0.14 lbs
DWMT74497B	18 mm	1-1/32"	7/8"	7/16"	5/8"	1-3/16"	0.16 lbs
DWMT74498B	19 mm	1-1/16"	7/8"	1/2"	21/32"	1-3/16"	0.16 lbs

ASME B107.110



3/8" DRIVE DEEP IMPACT SOCKETS - 6 POINT

BULK PRODUCT #	SIZE	NUT END OUTSIDE DIA (B)	DRIVE END OUTSIDE DIA (C)	NUT DEPTH (D)	BOLT CLEARANCE DEPTH (E)	OVERALL LENGTH (L)	WEIGHT
DWMT19055B	5/16"	1/2"	3/4"	15/32"	1-3/16"	2-15/32"	0.21 lbs
DWMT19163B	3/8"	9/16"	3/4"	23/32"	1-3/16"	2-15/32"	0.21 lbs
DWMT19223B	7/16"	11/16"	3/4"	23/32"	1-3/16"	2-15/32"	0.20 lbs
DWMT19052B	1/2"	3/4"	3/4"	7/8"	1-3/16"	2-15/32"	0.18 lbs
DWMT19162B	9/16"	25/32"	3/4"	15/16"	1-3/16"	2-15/32"	0.19 lbs
DWMT19056B	5/8"	15/16"	7/8"	31/32"	1-3/16"	2-15/32"	0.28 lbs
DWMT19053B	11/16"	31/32"	7/8"	31/32"	1-5/16"	2-15/32"	0.27 lbs
DWMT19054B	3/4"	1-1/16"	7/8"	31/32"	1-5/16"	2-15/32"	0.32 lbs
DWMT19165B	13/16"	1-3/16"	7/8"	31/32"	1-5/16"	2-15/32"	0.36 lbs
DWMT19167B	7/8"	1-1/4"	7/8"	31/32"	1-5/16"	2-15/32"	0.43 lbs
DWMT19166B	15/16"	1-11/32"	7/8"	31/32"	1-5/16"	2-15/32"	0.47 lbs
DWMT19164B	1"	1-13/32"	7/8"	31/32"	1-5/16"	2-15/32"	0.55 lbs

ASME B107.110

3/8" DRIVE IMPACT SOCKETS

- Heat treated CR-440 steel
- DirectTorque™ Technology
- Laser etched markings
- Black oxide coating
- O-ring and retaining pin compatible

3/8" DRIVE DEEP METRIC IMPACT SOCKETS - 6 POINT



BULK PRODUCT #	SIZE	NUT END OUTSIDE DIA (B)	DRIVE END OUTSIDE DIA (C)	NUT DEPTH (D)	BOLT CLEARANCE DEPTH (E)	OVERALL LENGTH (L)	WEIGHT
DWMT19224B	8 mm	1/2"	3/4"	15/32"	1-3/16"	2-15/32"	0.21 lbs
DWMT19225B	9 mm	9/16"	3/4"	15/32"	1-3/16"	2-15/32"	0.21 lbs
DWMT19213B	10 mm	19/32"	3/4"	23/32"	1-3/16"	2-15/32"	0.20 lbs
DWMT19214B	11 mm	21/32"	3/4"	23/32"	1-3/16"	2-15/32"	0.20 lbs
DWMT19215B	12 mm	23/32"	3/4"	25/32"	1-3/16"	2-15/32"	0.19 lbs
DWMT19216B	13 mm	3/4"	3/4"	7/8"	1-3/16"	2-15/32"	0.18 lbs
DWMT19217B	14 mm	25/32"	3/4"	15/16"	1-3/16"	2-15/32"	0.19 lbs
DWMT19218B	15 mm	7/8"	3/4"	31/32"	1-3/16"	2-15/32"	0.25 lbs
DWMT19219B	16 mm	15/16"	7/8"	31/32"	1-3/16"	2-15/32"	0.29 lbs
DWMT19220B	17 mm	31/32"	7/8"	31/32"	1-5/16"	2-15/32"	0.28 lbs
DWMT19221B	18 mm	1-1/32"	7/8"	31/32"	1-5/16"	2-15/32"	0.30 lbs
DWMT19222B	19 mm	1-1/16"	7/8"	31/32"	1-5/16"	2-15/32"	0.31 lbs

ASME B107.110

3/8" DRIVE UNIVERSAL IMPACT SOCKETS - 6 POINT



BULK PRODUCT #	SIZE	NUT END OUTSIDE DIA (B)	DRIVE END OUTSIDE DIA (C)	NUT DEPTH (D)	BOLT CLEARANCE DEPTH (E)	OVERALL LENGTH (L)	WEIGHT
DWMT19185B	5/16"	11/32"	7/8"	9/16"	9/16"	2-5/32"	0.20 lbs
DWMT19051B	3/8"	11/32"	7/8"	19/32"	19/32"	2-5/32"	0.24 lbs
DWMT19187B	7/16"	11/32"	7/8"	21/32"	21/32"	2-5/32"	0.25 lbs
DWMT19169B	1/2"	15/32"	7/8"	3/4"	3/4"	2-5/32"	0.25 lbs
DWMT19196B	9/16"	1/2"	7/8"	13/16"	13/16"	2-5/32"	0.26 lbs
DWMT19186B	5/8"	1/2"	7/8"	29/32"	29/32"	2-5/32"	0.27 lbs
DWMT19171B	11/16"	1/2"	7/8"	31/32"	31/32"	2-5/32"	0.28 lbs
DWMT19184B	3/4"	1/2"	7/8"	1-1/16"	1-1/16"	2-5/32"	0.29 lbs
DWMT19174B	13/16"	1/2"	7/8"	1-3/16"	1-3/16"	2-5/32"	0.32 lbs
DWMT19195B	7/8"	1/2"	7/8"	1-1/4"	1-1/4"	2-5/32"	0.32 lbs
DWMT19177B	15/16"	1/2"	7/8"	1-11/32"	1-11/32"	2-5/32"	0.37 lbs
DWMT19168B	1"	1/2"	7/8"	1-13/32"	1-13/32"	2-5/32"	0.40 lbs

ASME B107.110

3/8" DRIVE UNIVERSAL METRIC IMPACT SOCKETS - 6 POINT



BULK PRODUCT #	SIZE	NUT END OUTSIDE DIA (B)	DRIVE END OUTSIDE DIA (C)	NUT DEPTH (D)	BOLT CLEARANCE DEPTH (E)	OVERALL LENGTH (L)	WEIGHT
DWMT19170B	10 mm	11/32"	7/8"	19/32"	19/32"	2-5/32"	0.24 lbs
DWMT19172B	11 mm	11/32"	7/8"	21/32"	21/32"	2-5/32"	0.21 lbs
DWMT19173B	12 mm	15/32"	7/8"	3/4"	3/4"	2-5/32"	0.21 lbs
DWMT19175B	13 mm	1/2"	7/8"	3/4"	3/4"	2-5/32"	0.21 lbs
DWMT19176B	14 mm	1/2"	7/8"	13/16"	13/16"	2-5/32"	0.26 lbs
DWMT19178B	15 mm	1/2"	7/8"	7/8"	7/8"	2-5/32"	0.33 lbs
DWMT19179B	16 mm	1/2"	7/8"	29/32"	29/32"	2-5/32"	0.27 lbs
DWMT19181B	17 mm	1/2"	7/8"	31/32"	31/32"	2-5/32"	0.28 lbs
DWMT19182B	18 mm	1/2"	7/8"	31/32"	31/32"	2-5/32"	0.27 lbs
DWMT19183B	19 mm	1/2"	7/8"	1-1/16"	1-1/16"	2-5/32"	0.37 lbs

ASME B107.110

1/2" DRIVE IMPACT SOCKET SETS

- Heat treated CR-440 steel
- DirectTorque™ Technology
- Laser etched markings
- Black oxide coating
- O-ring and retaining pin compatible
- Light-weight carrying case with metal latches
- IP65 rated water seal

30 PIECE 1/2" DRIVE COMBINATION IMPACT SOCKET SET - 6 POINT

PRODUCT #	CONTENTS	DESCRIPTION	CONTENTS	DESCRIPTION
DWMT19249	DWMT17157	1/2" Drive Impact Socket 6PT 10 mm	DWMT73944	1/2" Drive Impact Deep Socket 6PT 11 mm
	DWMT19203	1/2" Drive Impact Socket 6PT 11 mm	DWMT73945	1/2" Drive Impact Deep Socket 6PT 12 mm
	DWMT17186	1/2" Drive Impact Socket 6PT 12 mm	DWMT17213	1/2" Drive Impact Deep Socket 6PT 13 mm
	DWMT74660	1/2" Drive Impact Socket 6PT 13 mm	DWMT73947	1/2" Drive Impact Deep Socket 6PT 14 mm
	DWMT75102	1/2" Drive Impact Socket 6PT 14 mm	DWMT75126	1/2" Drive Impact Deep Socket 6PT 15 mm
	DWMT75103	1/2" Drive Impact Socket 6PT 15 mm	DWMT73948	1/2" Drive Impact Deep Socket 6PT 16 mm
	DWMT75105	1/2" Drive Impact Socket 6PT 16 mm	DWMT73949	1/2" Drive Impact Deep Socket 6PT 17 mm
	DWMT75106	1/2" Drive Impact Socket 6PT 17 mm	DWMT17214	1/2" Drive Impact Deep Socket 6PT 18 mm
	DWMT75108	1/2" Drive Impact Socket 6PT 18 mm	DWMT73950	1/2" Drive Impact Deep Socket 6PT 19 mm
	DWMT75109	1/2" Drive Impact Socket 6PT 19 mm	DWMT75128	1/2" Drive Impact Deep Socket 6PT 20 mm
	DWMT75110	1/2" Drive Impact Socket 6PT 20 mm	DWMT73951	1/2" Drive Impact Deep Socket 6PT 21 mm
	DWMT75111	1/2" Drive Impact Socket 6PT 21 mm	DWMT73952	1/2" Drive Impact Deep Socket 6PT 22 mm
	DWMT75112	1/2" Drive Impact Socket 6PT 22 mm	DWMT17215	1/2" Drive Impact Deep Socket 6PT 24 mm
	DWMT17190	1/2" Drive Impact Socket 6PT 24 mm	DWMT19200	1/2" Impact Socket Extension 2"
	DWMT73943	1/2" Drive Impact Deep Socket 6PT 10 mm	DWMT75366	1/2" Drive Impact Universal Joint



28 PIECE 1/2" DRIVE STANDARD & DEEP IMPACT SOCKET SET - 6 POINT

PRODUCT #	CONTENTS	DESCRIPTION	CONTENTS	DESCRIPTION
DWMT19244	DWMT75120	1/2" Drive Impact Socket 6PT 7/16"	DWMT73935	1/2" Drive Impact Deep Socket 6PT 9/16"
	DWMT74654	1/2" Drive Impact Socket 6PT 1/2"	DWMT73936	1/2" Drive Impact Deep Socket 6PT 5/8"
	DWMT75122	1/2" Drive Impact Socket 6PT 9/16"	DWMT73940	1/2" Drive Impact Deep Socket 6PT 7/8"
	DWMT75118	1/2" Drive Impact Socket 6PT 5/8"	DWMT73937	1/2" Drive Impact Deep Socket 6PT 11/16"
	DWMT74655	1/2" Drive Impact Socket 6PT 11/16"	DWMT73938	1/2" Drive Impact Deep Socket 6PT 3/4"
	DWMT75113	1/2" Drive Impact Socket 6PT 3/4"	DWMT17232	1/2" Drive Impact Deep Socket 6PT 13/16"
	DWMT74661	1/2" Drive Impact Socket 6PT 13/16"	DWMT73941	1/2" Drive Impact Deep Socket 6PT 15/16"
	DWMT75121	1/2" Drive Impact Socket 6PT 7/8"	DWMT73942	1/2" Drive Impact Deep Socket 6PT 1"
	DWMT75104	1/2" Drive Impact Socket 6PT 15/16"	DWMT74656	1/2" Drive Impact Deep Socket 6PT 1-1/16"
	DWMT75119	1/2" Drive Impact Socket 6PT 1"	DWMT74659	1/2" Drive Impact Deep Socket 6PT 1-1/8"
	DWMT17233	1/2" Drive Impact Socket 6PT 1-1/16"	DWMT17228	1/2" Drive Impact Deep Socket 6PT 1-3/16"
	DWMT75125	1/2" Drive Impact Socket 6PT 1-1/8"	DWMT74658	1/2" Drive Impact Deep Socket 6PT 1-1/4"
	DWMT73933	1/2" Drive Impact Deep Socket 6PT 7/16"	DWMT19200	1/2" Impact Socket Extension 2"
	DWMT73934	1/2" Drive Impact Deep Socket 6PT 1/2"	DWMT75366	1/2" Drive Impact Universal Joint



1/2" DRIVE IMPACT SOCKET SETS

- Heat treated CR-440 steel
- DirectTorque™ Technology
- Laser etched markings
- Black oxide coating
- O-ring and retaining pin compatible
- Light-weight aluminum rail
- Easy slide clips

26 PIECE 1/2" DRIVE METRIC IMPACT SOCKET SET - 6 POINT



PRODUCT #	CONTENTS	DESCRIPTION
DWMT19243		
	DWMT17157	1/2" Drive Impact Socket 6PT 10 mm
	DWMT19203	1/2" Drive Impact Socket 6PT 11 mm
	DWMT17186	1/2" Drive Impact Socket 6PT 12 mm
	DWMT74660	1/2" Drive Impact Socket 6PT 13 mm
	DWMT75102	1/2" Drive Impact Socket 6PT 14 mm
	DWMT75103	1/2" Drive Impact Socket 6PT 15 mm
	DWMT75105	1/2" Drive Impact Socket 6PT 16 mm
	DWMT75106	1/2" Drive Impact Socket 6PT 17 mm

CONTENTS	DESCRIPTION
DWMT75108	1/2" Drive Impact Socket 6PT 18 mm
DWMT75109	1/2" Drive Impact Socket 6PT 19 mm
DWMT75110	1/2" Drive Impact Socket 6PT 20 mm
DWMT75111	1/2" Drive Impact Socket 6PT 21 mm
DWMT75112	1/2" Drive Impact Socket 6PT 22 mm
DWMT17187	1/2" Drive Impact Socket 6PT 23 mm
DWMT17190	1/2" Drive Impact Socket 6PT 24 mm
DWMT17191	1/2" Drive Impact Socket 6PT 25 mm
DWMT17192	1/2" Drive Impact Socket 6PT 26 mm

CONTENTS	DESCRIPTION
DWMT17193	1/2" Drive Impact Socket 6PT 27 mm
DWMT17194	1/2" Drive Impact Socket 6PT 28 mm
DWMT17195	1/2" Drive Impact Socket 6PT 29 mm
DWMT17196	1/2" Drive Impact Socket 6PT 30 mm
DWMT17198	1/2" Drive Impact Socket 6PT 32 mm
DWMT17207	1/2" Drive Impact Socket 6PT 33 mm
DWMT17208	1/2" Drive Impact Socket 6PT 34 mm
DWMT17209	1/2" Drive Impact Socket 6PT 35 mm
DWMT17210	1/2" Drive Impact Socket 6PT 36 mm

26 PIECE 1/2" DRIVE DEEP METRIC IMPACT SOCKET SET - 6 POINT



PRODUCT #	CONTENTS	DESCRIPTION
DWMT19242		
	DWMT73943	1/2" Drive Impact Deep Socket 6PT 10 mm
	DWMT73944	1/2" Drive Impact Deep Socket 6PT 11 mm
	DWMT73945	1/2" Drive Impact Deep Socket 6PT 12 mm
	DWMT17213	1/2" Drive Impact Deep Socket 6PT 13 mm
	DWMT73947	1/2" Drive Impact Deep Socket 6PT 14 mm
	DWMT75126	1/2" Drive Impact Deep Socket 6PT 15 mm
	DWMT73948	1/2" Drive Impact Deep Socket 6PT 16 mm
	DWMT73949	1/2" Drive Impact Deep Socket 6PT 17 mm

CONTENTS	DESCRIPTION
DWMT17214	1/2" Drive Impact Deep Socket 6PT 18 mm
DWMT73950	1/2" Drive Impact Deep Socket 6PT 19 mm
DWMT75128	1/2" Drive Impact Deep Socket 6PT 20 mm
DWMT73951	1/2" Drive Impact Deep Socket 6PT 21 mm
DWMT73952	1/2" Drive Impact Deep Socket 6PT 22 mm
DWMT17185	1/2" Drive Impact Deep Socket 6PT 23 mm
DWMT17215	1/2" Drive Impact Deep Socket 6PT 24 mm
DWMT17216	1/2" Drive Impact Deep Socket 6PT 25 mm
DWMT17217	1/2" Drive Impact Deep Socket 6PT 26 mm

CONTENTS	DESCRIPTION
DWMT17218	1/2" Drive Impact Deep Socket 6PT 27 mm
DWMT17219	1/2" Drive Impact Deep Socket 6PT 28 mm
DWMT17220	1/2" Drive Impact Deep Socket 6PT 29 mm
DWMT17221	1/2" Drive Impact Deep Socket 6PT 30 mm
DWMT17222	1/2" Drive Impact Deep Socket 6PT 32 mm
DWMT17223	1/2" Drive Impact Deep Socket 6PT 33 mm
DWMT17224	1/2" Drive Impact Deep Socket 6PT 34 mm
DWMT17225	1/2" Drive Impact Deep Socket 6PT 35 mm
DWMT75150	1/2" Drive Impact Deep Socket 6PT 36 mm

19 PIECE 1/2" DRIVE IMPACT SOCKET SET - 6 POINT



PRODUCT #	CONTENTS	DESCRIPTION
DWMT19240		
	DWMT75114	1/2" Drive Impact Socket 6PT 3/8"
	DWMT75120	1/2" Drive Impact Socket 6PT 7/16"
	DWMT74654	1/2" Drive Impact Socket 6PT 1/2"
	DWMT75122	1/2" Drive Impact Socket 6PT 9/16"
	DWMT75118	1/2" Drive Impact Socket 6PT 5/8"
	DWMT74655	1/2" Drive Impact Socket 6PT 11/16"

CONTENTS	DESCRIPTION
DWMT75113	1/2" Drive Impact Socket 6PT 3/4"
DWMT74661	1/2" Drive Impact Socket 6PT 13/16"
DWMT75121	1/2" Drive Impact Socket 6PT 7/8"
DWMT75104	1/2" Drive Impact Socket 6PT 15/16"
DWMT75119	1/2" Drive Impact Socket 6PT 1"
DWMT17233	1/2" Drive Impact Socket 6PT 1-1/16"
DWMT75125	1/2" Drive Impact Socket 6PT 1-1/8"

CONTENTS	DESCRIPTION
DWMT17235	1/2" Drive Impact Socket 6PT 1-3/16"
DWMT19202	1/2" Drive Impact Socket 6PT 1-1/4"
DWMT17237	1/2" Drive Impact Socket 6PT 1-5/16"
DWMT17236	1/2" Drive Impact Socket 6PT 1-3/8"
DWMT17238	1/2" Drive Impact Socket 6PT 1-7/16"
DWMT17234	1/2" Drive Impact Socket 6PT 1-1/2"

1/2" DRIVE IMPACT SOCKET SETS

- Heat treated CR-440 steel
- DirectTorque™ Technology
- Laser etched markings
- Black oxide coating
- O-ring and retaining pin compatible



- Light-weight aluminum rail
- Easy slide clips

19 PIECE 1/2" DRIVE DEEP IMPACT SOCKET SET - 6 POINT

PRODUCT #	CONTENTS	DESCRIPTION
DWMT19239		
	DWMT73932	1/2" Drive Impact Deep Socket 6PT 3/8"
	DWMT73933	1/2" Drive Impact Deep Socket 6PT 7/16"
	DWMT73934	1/2" Drive Impact Deep Socket 6PT 1/2"
	DWMT73935	1/2" Drive Impact Deep Socket 6PT 9/16"
	DWMT73936	1/2" Drive Impact Deep Socket 6PT 5/8"
	DWMT73940	1/2" Drive Impact Deep Socket 6PT 7/8"

CONTENTS	DESCRIPTION
DWMT73937	1/2" Drive Impact Deep Socket 6PT 11/16"
DWMT73938	1/2" Drive Impact Deep Socket 6PT 3/4"
DWMT17232	1/2" Drive Impact Deep Socket 6PT 13/16"
DWMT73941	1/2" Drive Impact Deep Socket 6PT 15/16"
DWMT73942	1/2" Drive Impact Deep Socket 6PT 1"
DWMT74656	1/2" Drive Impact Deep Socket 6PT 1-1/16"
DWMT74659	1/2" Drive Impact Deep Socket 6PT 1-1/8"

CONTENTS	DESCRIPTION
DWMT17228	1/2" Drive Impact Deep Socket 6PT 1-3/16"
DWMT74658	1/2" Drive Impact Deep Socket 6PT 1-1/4"
DWMT17230	1/2" Drive Impact Deep Socket 6PT 1-5/16"
DWMT17229	1/2" Drive Impact Deep Socket 6PT 1-3/8"
DWMT17231	1/2" Drive Impact Deep Socket 6PT 1-7/16"
DWMT17227	1/2" Drive Impact Deep Socket 6PT 1-1/2"

15 PIECE 1/2" DRIVE COMBINATION IMPACT HEX BIT SOCKET SET

- Light-weight carrying case with metal latches
- IP65 rated water seal



PRODUCT #	CONTENTS	DESCRIPTION
DWMT19239		
	DWMT17175	1/2" Drive Impact Hex Bit Socket 5/16"
	DWMT17174	1/2" Drive Impact Hex Bit Socket 3/8"
	DWMT17179	1/2" Drive Impact Hex Bit Socket 7/16"
	DWMT17166	1/2" Drive Impact Hex Bit Socket 1/2"
	DWMT17181	1/2" Drive Impact Hex Bit Socket 9/16"
	DWMT17176	1/2" Drive Impact Hex Bit Socket 5/8"
	DWMT17173	1/2" Drive Impact Hex Bit Socket 3/4"

CONTENTS	DESCRIPTION
DWMT17167	1/2" Drive Impact Hex Bit Socket 10 mm
DWMT17169	1/2" Drive Impact Hex Bit Socket 12 mm
DWMT17170	1/2" Drive Impact Hex Bit Socket 14 mm
DWMT17171	1/2" Drive Impact Hex Bit Socket 17 mm
DWMT17172	1/2" Drive Impact Hex Bit Socket 19 mm
DWMT17177	1/2" Drive Impact Hex Bit Socket 5 mm
DWMT17178	1/2" Drive Impact Hex Bit Socket 6 mm
DWMT17180	1/2" Drive Impact Hex Bit Socket 8 mm

7 PIECE 1/2" DRIVE EXTERNAL TORX® IMPACT SOCKET SET

- Light-weight aluminum rail
- Easy slide clips



PRODUCT #	CONTENTS	DESCRIPTION
DWMT19260		
	DWMT79243	1/2" External Torx® Impact Socket - E10
	DWMT79244	1/2" External Torx® Impact Socket - E12
	DWMT79245	1/2" External Torx® Impact Socket - E14

CONTENTS	DESCRIPTION
DWMT79246	1/2" External Torx® Impact Socket - E16
DWMT79247	1/2" External Torx® Impact Socket - E18
DWMT79248	1/2" External Torx® Impact Socket - E20
DWMT79249	1/2" External Torx® Impact Socket - E24

Is not O-Ring compatible

Torx® is a trademark of Acument Intellectual Properties, LLC

1/2" DRIVE IMPACT SOCKETS

- Heat treated CR-440 steel
- DirectTorque™ Technology
- Laser etched markings
- Black oxide coating
- O-ring and retaining pin compatible



1/2" DRIVE IMPACT SOCKETS - 6 POINT

BULK PRODUCT #	SIZE	NUT END OUTSIDE DIA (B)	DRIVE END OUTSIDE DIA (C)	NUT DEPTH (D)	BOLT CLEARANCE DEPTH (E)	OVERALL LENGTH (L)	WEIGHT
DWMT75114B	3/8"	5/8"	31/32"	5/16"	21/32"	1-1/2"	0.14 lbs
DWMT75120B	7/16"	23/32"	31/32"	11/32"	21/32"	1-1/2"	0.14 lbs
DWMT74654B	1/2"	25/32"	31/32"	7/16"	21/32"	1-1/2"	0.14 lbs
DWMT75122B	9/16"	7/8"	31/32"	7/16"	21/32"	1-1/2"	0.17 lbs
DWMT75118B	5/8"	31/32"	31/32"	15/32"	21/32"	1-1/2"	0.19 lbs
DWMT74655B	11/16"	1-1/32"	31/32"	15/32"	21/32"	1-1/2"	0.21 lbs
DWMT75113B	3/4"	1-3/32"	31/32"	15/32"	21/32"	1-1/2"	0.23 lbs
DWMT74661B	13/16"	1-3/16"	31/32"	1/2"	21/32"	1-1/2"	0.27 lbs
DWMT75121B	7/8"	1-1/4"	1-3/16"	1/2"	3/4"	1-1/2"	0.32 lbs
DWMT75104B	15/16"	1-11/32"	1-3/16"	19/32"	3/4"	1-1/2"	0.36 lbs
DWMT75119B	1"	1-13/32"	1-3/16"	19/32"	3/4"	1-1/2"	0.41 lbs
DWMT17233B	1-1/16"	1-1/2"	1-3/16"	21/32"	3/4"	1-9/16"	0.47 lbs
DWMT75125B	1-1/8"	1-9/16"	1-3/16"	23/32"	31/32"	1-9/16"	0.49 lbs
DWMT17235B	1-3/16"	1-21/32"	1-3/16"	23/32"	31/32"	1-9/16"	0.52 lbs
DWMT19202B	1-1/4"	1-23/32"	1-3/16"	23/32"	31/32"	1-9/16"	0.56 lbs
DWMT17237B	1-5/16"	1-13/16"	1-3/8"	13/16"	1-5/32"	1-11/16"	0.59 lbs
DWMT17236B	1-3/8"	1-7/8"	1-3/8"	13/16"	1-5/32"	1-11/16"	0.63 lbs
DWMT17238B	1-7/16"	1-31/32"	1-23/32"	13/16"	1-5/32"	1-11/16"	0.66 lbs
DWMT17234B	1-1/2"	2-1/16"	1-23/32"	15/16"	1-9/32"	1-11/16"	0.72 lbs

ASME B107.110



1/2" DRIVE METRIC IMPACT SOCKETS - 6 POINT

BULK PRODUCT #	SIZE	NUT END OUTSIDE DIA (B)	DRIVE END OUTSIDE DIA (C)	NUT DEPTH (D)	BOLT CLEARANCE DEPTH (E)	OVERALL LENGTH (L)	WEIGHT
DWMT17239B	9 mm	5/8"	31/32"	13/32"	9/16"	1-1/2"	0.15 lbs
DWMT17157B	10 mm	21/32"	31/32"	13/32"	9/16"	1-1/2"	0.14 lbs
DWMT19203B	11 mm	23/32"	31/32"	13/32"	9/16"	1-1/2"	0.16 lbs
DWMT17186B	12 mm	3/4"	31/32"	7/16"	9/16"	1-1/2"	0.16 lbs
DWMT74660B	13 mm	25/32"	31/32"	7/16"	9/16"	1-1/2"	0.16 lbs
DWMT75102B	14 mm	27/32"	31/32"	7/16"	9/16"	1-1/2"	0.16 lbs
DWMT75103B	15 mm	29/32"	31/32"	15/32"	9/16"	1-1/2"	0.17 lbs
DWMT75105B	16 mm	31/32"	31/32"	15/32"	19/32"	1-1/2"	0.18 lbs
DWMT75106B	17 mm	1-1/32"	31/32"	1/2"	19/32"	1-1/2"	0.19 lbs
DWMT75108B	18 mm	1-1/16"	31/32"	1/2"	5/8"	1-1/2"	0.19 lbs
DWMT75109B	19 mm	1-3/16"	31/32"	1/2"	23/32"	1-1/2"	0.19 lbs
DWMT75110B	20 mm	1-3/16"	31/32"	1/2"	23/32"	1-1/2"	0.22 lbs
DWMT75111B	21 mm	1-1/4"	1-3/16"	9/16"	23/32"	1-1/2"	0.20 lbs
DWMT75112B	22 mm	1-1/4"	1-3/16"	9/16"	23/32"	1-1/2"	0.28 lbs
DWMT17187B	23 mm	1-11/32"	1-3/16"	5/8"	23/32"	1-21/32"	0.34 lbs
DWMT17190B	24 mm	1-13/32"	1-3/16"	21/32"	13/16"	1-21/32"	0.33 lbs
DWMT17191B	25 mm	1-13/32"	1-3/16"	21/32"	13/16"	1-21/32"	0.35 lbs
DWMT17192B	26 mm	1-1/2"	1-3/16"	21/32"	13/16"	1-21/32"	0.34 lbs
DWMT17193B	27 mm	1-9/16"	1-3/16"	3/4"	31/32"	1-13/16"	0.42 lbs
DWMT17194B	28 mm	1-9/16"	1-3/16"	3/4"	31/32"	1-13/16"	0.47 lbs
DWMT17195B	29 mm	1-21/32"	1-3/16"	3/4"	31/32"	1-13/16"	0.47 lbs
DWMT17196B	30 mm	1-21/32"	1-3/16"	3/4"	1-3/32"	1-13/16"	0.48 lbs
DWMT17197B	31 mm	1-23/32"	1-3/16"	13/16"	1-3/32"	1-13/16"	0.51 lbs
DWMT17198B	32 mm	1-23/32"	1-3/16"	13/16"	1-3/32"	1-13/16"	0.53 lbs
DWMT17207B	33 mm	1-13/16"	1-3/8"	7/8"	1-3/32"	1-13/16"	0.60 lbs
DWMT17208B	34 mm	1-13/16"	1-3/8"	7/8"	1-3/16"	1-13/16"	0.63 lbs
DWMT17209B	35 mm	1-31/32"	1-3/8"	7/8"	1-3/16"	1-31/32"	0.75 lbs
DWMT17210B	36 mm	1-31/32"	1-3/8"	7/8"	1-3/16"	1-31/32"	0.80 lbs

ASME B107.110

1/2" DRIVE IMPACT SOCKETS

- Heat treated CR-440 steel
- DirectTorque™ Technology
- Laser etched markings
- Black oxide coating
- O-ring and retaining pin compatible



1/2" DRIVE DEEP IMPACT SOCKETS - 6 POINT

BULK PRODUCT #	SIZE	NUT END OUTSIDE DIA (B)	DRIVE END OUTSIDE DIA (C)	NUT DEPTH (D)	BOLT CLEARANCE DEPTH (E)	OVERALL LENGTH (L)	WEIGHT
DWMT73932B	3/8"	5/8"	31/32"	19/32"	1-25/32"	3-7/32"	0.36 lbs
DWMT73933B	7/16"	23/32"	31/32"	19/32"	1-25/32"	3-7/32"	0.37 lbs
DWMT73934B	1/2"	25/32"	31/32"	19/32"	1-25/32"	3-7/32"	0.39 lbs
DWMT73935B	9/16"	7/8"	31/32"	21/32"	1-25/32"	3-7/32"	0.39 lbs
DWMT73936B	5/8"	31/32"	31/32"	23/32"	1-25/32"	3-7/32"	0.43 lbs
DWMT73937B	11/16"	1-3/32"	31/32"	23/32"	1-25/32"	3-7/32"	0.41 lbs
DWMT73938B	3/4"	1-3/16"	31/32"	1-1/32"	1-25/32"	3-7/32"	0.49 lbs
DWMT17232B	13/16"	1-1/4"	1-3/16"	1-1/32"	1-25/32"	3-7/32"	0.53 lbs
DWMT73940B	7/8"	1-1/32"	31/32"	23/32"	1-25/32"	3-7/32"	0.66 lbs
DWMT73941B	15/16"	1-11/32"	1-3/16"	1-1/32"	1-25/32"	3-7/32"	0.72 lbs
DWMT73942B	1"	1-13/32"	1-3/16"	1-1/32"	1-25/32"	3-7/32"	0.78 lbs
DWMT74656B	1-1/16"	1-1/2"	1-3/16"	1-1/32"	1-25/32"	3-7/32"	0.85 lbs
DWMT74659B	1-1/8"	1-9/16"	1-3/16"	1-1/32"	1-25/32"	3-7/32"	0.94 lbs
DWMT17228B	1-3/16"	1-21/32"	1-3/16"	1-1/32"	1-25/32"	3-7/32"	0.95 lbs
DWMT74658B	1-1/4"	1-23/32"	1-3/16"	1-1/32"	1-31/32"	3-7/32"	1.10 lbs
DWMT17230B	1-5/16"	1-13/16"	1-3/8"	1-11/32"	1-31/32"	3-17/32"	1.19 lbs
DWMT17229B	1-3/8"	1-7/8"	1-3/8"	1-11/32"	2-5/32"	3-17/32"	1.28 lbs
DWMT17231B	1-7/16"	1-31/32"	1-23/32"	1-11/32"	2-5/32"	3-17/32"	1.37 lbs
DWMT17227B	1-1/2"	2-1/32"	1-23/32"	1-11/32"	2-5/32"	3-17/32"	1.50 lbs
DWMT17212B	1-5/8"	2-3/16"	1-23/32"	1-1/4"	2-5/32"	3-17/32"	1.54 lbs
DWMT17211B	1-15/16"	2-11/16"	2-11/16"	2-3/8"	2-5/32"	3-21/32"	2.98 lbs

ASME B107.110



1/2" DRIVE DEEP METRIC IMPACT SOCKETS - 6 POINT

BULK PRODUCT #	SIZE	NUT END OUTSIDE DIA (B)	DRIVE END OUTSIDE DIA (C)	NUT DEPTH (D)	BOLT CLEARANCE DEPTH (E)	OVERALL LENGTH (L)	WEIGHT
DWMT17226B	9 mm	5/8"	31/32"	19/32"	1-25/32"	3-7/32"	0.35 lbs
DWMT73943B	10 mm	21/32"	31/32"	19/32"	1-25/32"	3-7/32"	0.37 lbs
DWMT73944B	11 mm	23/32"	31/32"	19/32"	1-25/32"	3-7/32"	0.38 lbs
DWMT73945B	12 mm	3/4"	31/32"	19/32"	1-25/32"	3-7/32"	0.38 lbs
DWMT17213B	13 mm	25/32"	31/32"	19/32"	1-25/32"	3-7/32"	0.38 lbs
DWMT73947B	14 mm	27/32"	31/32"	23/32"	1-25/32"	3-7/32"	0.38 lbs
DWMT75126B	15 mm	29/32"	31/32"	23/32"	1-25/32"	3-7/32"	0.40 lbs
DWMT73948B	16 mm	31/32"	31/32"	23/32"	1-25/32"	3-7/32"	0.42 lbs
DWMT73949B	17 mm	1-1/32"	31/32"	3/4"	1-25/32"	3-7/32"	0.42 lbs
DWMT17214B	18 mm	1-1/16"	31/32"	3/4"	1-25/32"	3-7/32"	0.46 lbs
DWMT73950B	19 mm	1-3/16"	31/32"	3/4"	1-25/32"	3-7/32"	0.47 lbs
DWMT75128B	20 mm	1-3/16"	31/32"	1-1/32"	1-25/32"	3-7/32"	0.53 lbs
DWMT73951B	21 mm	1-1/4"	1-3/16"	1-1/32"	1-25/32"	3-7/32"	0.49 lbs
DWMT73952B	22 mm	1-1/4"	1-3/16"	1-1/32"	1-25/32"	3-7/32"	0.64 lbs
DWMT17185B	23 mm	1-11/32"	1-3/16"	1-1/32"	1-25/32"	3-7/32"	0.74 lbs
DWMT17215B	24 mm	1-13/32"	1-3/16"	1-1/32"	1-25/32"	3-7/32"	0.67 lbs
DWMT17216B	25 mm	1-13/32"	1-3/16"	1-1/32"	1-25/32"	3-7/32"	0.78 lbs
DWMT17217B	26 mm	1-1/2"	1-3/16"	1-1/32"	1-25/32"	3-7/32"	0.86 lbs
DWMT17218B	27 mm	1-9/16"	1-3/16"	1-1/32"	1-31/32"	3-7/32"	0.82 lbs
DWMT17219B	28 mm	1-9/16"	1-3/16"	1-1/32"	1-31/32"	3-7/32"	0.95 lbs
DWMT17220B	29 mm	1-21/32"	1-3/16"	1-1/32"	1-31/32"	3-7/32"	0.95 lbs
DWMT17221B	30 mm	1-21/32"	1-3/16"	1-1/32"	1-31/32"	3-7/32"	0.93 lbs
DWMT17222B	32 mm	1-23/32"	1-3/16"	1-1/32"	1-31/32"	3-7/32"	1.04 lbs
DWMT17223B	33 mm	1-13/16"	1-3/8"	1-1/2"	2-5/32"	3-17/32"	1.26 lbs
DWMT17224B	34 mm	1-13/16"	1-3/8"	1-1/2"	2-5/32"	3-17/32"	1.21 lbs
DWMT17225B	35 mm	1-31/32"	1-3/8"	1-1/2"	2-5/32"	3-17/32"	1.48 lbs
DWMT75117OSP	36 mm	1-31/32"	1-3/8"	1-1/2"	2-5/32"	3-17/32"	1.24 lbs

ASME B107.110

1/2" DRIVE IMPACT SOCKETS

- Heat treated CR-440 steel
- Laser etched markings
- Black oxide coating
- O-ring and retaining pin compatible

1/2" DRIVE IMPACT HEX BIT SOCKETS

BULK PRODUCT #	SIZE	BIT LENGTH	OVERALL LENGTH (L)	WEIGHT
DWMT17175B	5/16"	9/16"	3-1/16"	0.20 lbs
DWMT17174B	3/8"	19/32"	3-1/16"	0.23 lbs
DWMT17179B	7/16"	5/8"	3-1/16"	0.26 lbs
DWMT17166B	1/2"	5/8"	3-1/16"	0.29 lbs
DWMT17181B	9/16"	5/8"	3-1/16"	0.33 lbs
DWMT17176B	5/8"	21/32"	3-1/16"	0.38 lbs
DWMT17173B	3/4"	23/32"	3-1/16"	0.47 lbs

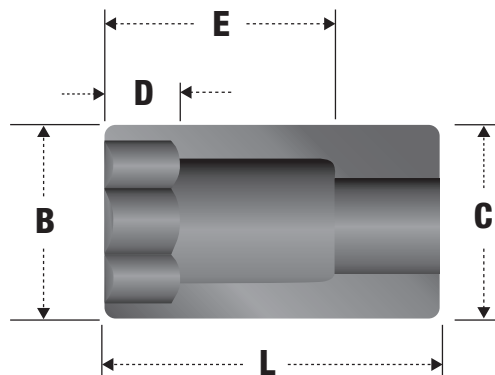
ASME B107.110



1/2" DRIVE METRIC IMPACT HEX BIT SOCKETS

BULK PRODUCT #	SIZE	BIT LENGTH	OVERALL LENGTH (L)	WEIGHT
DWMT17177B	5 mm	15/32	3-1/16"	0.17 lbs
DWMT17178B	6 mm	1/2	3-1/16"	0.18 lbs
DWMT17180B	8 mm	9/16	3-1/16"	0.19 lbs
DWMT17167B	10 mm	19/32	3-1/16"	0.23 lbs
DWMT17169B	12 mm	5/8	3-1/16"	0.28 lbs
DWMT17170B	14 mm	5/8	3-1/16"	0.33 lbs
DWMT17171B	17 mm	21/32	3-1/16"	0.40 lbs
DWMT17172B	19 mm	23/32	3-1/16"	0.47 lbs

ASME B107.110



3/4" DRIVE IMPACT SOCKETS

- Heat treated CR-440 steel
- DirectTorque™ Technology
- Laser etched markings
- Black oxide coating
- O-ring and retaining pin compatible



3/4" DRIVE IMPACT SOCKETS - 6 POINT

BULK PRODUCT #	SIZE	NUT END OUTSIDE DIA (B)	DRIVE END OUTSIDE DIA (C)	NUT DEPTH (D)	BOLT CLEARANCE DEPTH (E)	OVERALL LENGTH (L)	WEIGHT
DWMT19019B	1/2"	7/8"	1-9/16"	5/8"	25/32"	1-31/32"	0.46 lbs
DWMT19037B	9/16"	1"	1-9/16"	5/8"	25/32"	1-31/32"	0.51 lbs
DWMT19036B	5/8"	1-3/32"	1-9/16"	5/8"	25/32"	1-31/32"	0.51 lbs
DWMT19021B	11/16"	1-5/32"	1-9/16"	5/8"	25/32"	1-31/32"	0.53 lbs
DWMT75170B	3/4"	1-3/16"	1-9/16"	5/8"	25/32"	1-31/32"	0.55 lbs
DWMT75159B	13/16"	1-1/4"	1-9/16"	23/32"	25/32"	2-1/16"	0.58 lbs
DWMT75178B	7/8"	1-11/32"	1-9/16"	23/32"	25/32"	2-1/16"	0.60 lbs
DWMT75163B	15/16"	1-13/32"	1-9/16"	23/32"	25/32"	2-1/16"	0.64 lbs
DWMT75154B	1"	1-9/16"	1-9/16"	23/32"	25/32"	2-1/16"	0.67 lbs
DWMT75155B	1-1/16"	1-9/16"	1-9/16"	23/32"	25/32"	2-1/16"	0.65 lbs
DWMT75158B	1-1/8"	1-21/32"	1-21/32"	3/4"	31/32"	2-1/16"	0.72 lbs
DWMT75160B	1-3/16"	1-23/32"	1-23/32"	3/4"	31/32"	2-1/16"	0.81 lbs
DWMT75157B	1-1/4"	1-13/16"	1-23/32"	23/32"	31/32"	2-1/16"	0.85 lbs
DWMT75162B	1-5/16"	1-27/32"	1-23/32"	7/8"	1-5/32"	2-7/32"	0.86 lbs
DWMT75161B	1-3/8"	1-31/32"	1-23/32"	7/8"	1-5/32"	2-7/32"	0.99 lbs
DWMT75164B	1-7/16"	2"	1-25/32"	7/8"	1-5/32"	2-7/32"	1.03 lbs
DWMT75156B	1-1/2"	2-3/32"	1-25/32"	15/16"	1-1/4"	2-7/32"	1.06 lbs
DWMT19018B	1-9/16"	2-7/32"	1-25/32"	31/32"	1-1/4"	2-7/16"	1.28 lbs
DWMT19016B	1-5/8"	2-9/32"	1-25/32"	31/32"	1-1/4"	2-7/16"	1.30 lbs
DWMT19011B	1-11/16"	2-1/2"	1-25/32"	1-1/16"	1-1/2"	2-7/16"	1.61 lbs
DWMT19015B	1-3/4"	2-17/32"	1-25/32"	1-1/16"	1-1/2"	2-7/16"	1.61 lbs
DWMT19012B	1-13/16"	2-19/32"	1-25/32"	1-3/32"	1-1/2"	2-11/16"	1.91 lbs
DWMT19017B	1-7/8"	2-11/16"	1-25/32"	1-5/32"	1-5/8"	2-11/16"	1.94 lbs
DWMT19013B	1-15/16"	2-3/4"	1-25/32"	1-5/16"	1-5/8"	2-3/4"	2.07 lbs
DWMT19024B	2"	2-25/32"	2-1/8"	1-5/16"	1-5/8"	2-27/32"	2.36 lbs

ASME B107.110



3/4" DRIVE METRIC IMPACT SOCKETS - 6 POINT

BULK PRODUCT #	SIZE	NUT END OUTSIDE DIA (B)	DRIVE END OUTSIDE DIA (C)	NUT DEPTH (D)	BOLT CLEARANCE DEPTH (E)	OVERALL LENGTH (L)	WEIGHT
DWMT19022B	17 mm	1-1/4"	1-23/32"	5/8"	25/32"	1-31/32"	0.51 lbs
DWMT19023B	19 mm	1-1/4"	1-23/32"	5/8"	25/32"	1-31/32"	0.51 lbs
DWMT17158B	20 mm	1-5/16"	1-23/32"	5/8"	25/32"	1-31/32"	0.51 lbs
DWMT19025B	21 mm	1-11/32"	1-23/32"	5/8"	25/32"	1-31/32"	0.53 lbs
DWMT75165B	22 mm	1-13/32"	1-23/32"	5/8"	25/32"	1-31/32"	0.55 lbs
DWMT19026B	23 mm	1-7/16"	1-23/32"	5/8"	25/32"	1-31/32"	0.55 lbs
DWMT75166B	24 mm	1-1/2"	1-23/32"	5/8"	7/8"	1-31/32"	0.54 lbs
DWMT75167B	25 mm	1-17/32"	1-23/32"	5/8"	7/8"	1-31/32"	0.59 lbs
DWMT75168B	26 mm	1-19/32"	1-23/32"	5/8"	7/8"	1-31/32"	0.66 lbs
DWMT75169B	27 mm	1-21/32"	1-23/32"	3/4"	31/32"	2-3/32"	0.63 lbs
DWMT19027B	28 mm	1-23/32"	1-23/32"	3/4"	31/32"	2-3/32"	0.73 lbs
DWMT19030B	29 mm	1-13/16"	1-23/32"	3/4"	31/32"	2-3/32"	0.71 lbs
DWMT75171B	30 mm	1-13/16"	1-23/32"	3/4"	31/32"	2-3/32"	0.81 lbs
DWMT19031B	31 mm	1-13/16"	1-23/32"	3/4"	1-3/32"	2-3/32"	0.82 lbs
DWMT75172B	32 mm	1-7/8"	1-23/32"	7/8"	1-3/32"	2-7/32"	0.81 lbs
DWMT75173B	33 mm	1-31/32"	1-23/32"	7/8"	1-3/16"	2-7/32"	0.91 lbs
DWMT19201B	34 mm	2"	1-23/32"	7/8"	1-3/16"	2-7/32"	0.96 lbs
DWMT75174B	35 mm	2-1/16"	1-23/32"	7/8"	1-3/16"	2-7/32"	1.01 lbs
DWMT75175B	36 mm	2-3/32"	1-23/32"	7/8"	1-1/4"	2-7/32"	1.04 lbs
DWMT75176B	38 mm	2-7/32"	1-23/32"	7/8"	1-11/32"	2-7/32"	1.10 lbs
DWMT19032B	40 mm	2-3/8"	1-23/32"	7/8"	1-11/32"	2-7/32"	1.25 lbs
DWMT75177B	41 mm	2-3/8"	1-23/32"	7/8"	1-1/2"	2-7/32"	1.36 lbs
DWMT19033B	42 mm	2-7/16"	1-23/32"	1-1/32"	1-1/2"	2-7/16"	1.50 lbs
DWMT19034B	46 mm	2-5/8"	1-23/32"	1-1/32"	1-11/16"	2-15/32"	1.80 lbs

ASME B107.110

3/4" DRIVE IMPACT SOCKETS

- Heat treated CR-440 steel
- DirectTorque™ Technology
- High visibility laser etched markings
- Black oxide coating
- O-ring and retaining pin compatible



3/4" DRIVE DEEP IMPACT SOCKETS - 6 POINT

BULK PRODUCT #	SIZE	NUT END OUTSIDE DIA (B)	DRIVE END OUTSIDE DIA (C)	NUT DEPTH (D)	BOLT CLEARANCE DEPTH (E)	OVERALL LENGTH (L)	WEIGHT
DWMT75145B	3/4"	1-3/16"	1-9/16"	13/16"	1-25/32"	3-11/32"	0.80 lbs
DWMT75134B	13/16"	1-1/4"	1-9/16"	1-1/32"	1-25/32"	3-11/32"	0.83 lbs
DWMT75153B	7/8"	1-11/32"	1-9/16"	1-1/32"	1-25/32"	3-11/32"	0.89 lbs
DWMT74138B	15/16"	1-13/32"	1-9/16"	1-1/32"	1-25/32"	3-11/32"	0.91 lbs
DWMT75129B	1"	1-9/16"	1-9/16"	1-13/32"	1-25/32"	3-11/32"	1.10 lbs
DWMT75130B	1-1/16"	1-9/16"	1-9/16"	1-13/32"	1-25/32"	3-11/32"	1.04 lbs
DWMT75133B	1-1/8"	1-21/32"	1-21/32"	1-13/32"	1-25/32"	3-11/32"	1.14 lbs
DWMT75135B	1-3/16"	1-23/32"	1-23/32"	1-13/32"	1-25/32"	3-11/32"	1.25 lbs
DWMT75132B	1-1/4"	1-13/16"	1-23/32"	1-13/32"	1-25/32"	3-11/32"	1.18 lbs
DWMT75137B	1-5/16"	1-27/32"	1-23/32"	1-13/32"	1-25/32"	3-11/32"	1.34 lbs
DWMT75136B	1-3/8"	1-31/32"	1-23/32"	1-9/16"	1-31/32"	3-11/32"	1.51 lbs
DWMT75139B	1-7/16"	2"	1-25/32"	1-9/16"	1-31/32"	3-11/32"	1.48 lbs
DWMT75131B	1-1/2"	2-3/32"	1-25/32"	1-9/16"	1-31/32"	3-11/32"	1.54 lbs
DWMT19044B	1-9/16"	2-7/32"	1-25/32"	1-9/16"	1-31/32"	3-11/32"	1.69 lbs
DWMT19042B	1-5/8"	2-9/32"	1-25/32"	1-25/32"	1-31/32"	3-11/32"	1.73 lbs
DWMT19038B	1-11/16"	2-1/2"	1-25/32"	1-25/32"	1-31/32"	3-11/32"	2.16 lbs
DWMT19041B	1-3/4"	2-17/32"	1-25/32"	1-25/32"	1-31/32"	3-11/32"	2.26 lbs
DWMT19039B	1-13/16"	2-19/32"	1-25/32"	1-25/32"	1-31/32"	3-11/32"	2.38 lbs
DWMT19043B	1-7/8"	2-11/16"	1-25/32"	1-25/32"	1-31/32"	3-11/32"	2.40 lbs
DWMT19040B	1-15/16"	2-3/4"	1-25/32"	1-25/32"	1-31/32"	3-11/32"	2.59 lbs
DWMT19047B	2"	2-25/32"	2-1/8"	1-25/32"	1-31/32"	3-11/32"	2.74 lbs

ASME B107.110

3/4" DRIVE DEEP METRIC IMPACT SOCKETS - 6 POINT



BULK PRODUCT #	SIZE	NUT END OUTSIDE DIA (B)	DRIVE END OUTSIDE DIA (C)	NUT DEPTH (D)	BOLT CLEARANCE DEPTH (E)	OVERALL LENGTH (L)	WEIGHT
DWMT19045B	17 mm	1-1/8"	1-9/16"	5/8"	15/16"	3-11/32"	0.51 lbs
DWMT19046B	19 mm	1-1/4"	1-23/32"	5/8"	1-25/32"	3-11/32"	0.51 lbs
DWMT75140OSP	22 mm	1-3/8"	1-9/16"	1/2"	1-25/32"	3-11/32"	1.03 lbs
DWMT75141B	24 mm	1-1/2"	1-23/32"	5/8"	1-25/32"	3-11/32"	0.55 lbs
DWMT75142OSP	25 mm	1-5/8"	1-5/8"	9/16"	1-25/32"	3-11/32"	1.19 lbs
DWMT75143OSP	26 mm	1-5/8"	1-5/8"	19/32"	1-25/32"	3-11/32"	1.13 lbs
DWMT75144OSP	27 mm	1-5/8"	1-5/8"	5/8"	1-25/32"	3-11/32"	1.10 lbs
DWMT75146B	30 mm	1-13/16"	1-23/32"	3/4"	1-25/32"	3-11/32"	0.82 lbs
DWMT75147B	32 mm	1-7/8"	1-23/32"	7/8"	1-25/32"	3-11/32"	0.79 lbs
DWMT75148B	33 mm	1-31/32"	1-23/32"	7/8"	1-31/32"	3-11/32"	0.90 lbs
DWMT75149OSP	35 mm	2-1/32"	1-23/32"	7/8"	1-31/32"	3-11/32"	1.62 lbs
DWMT75150B	36 mm	2-3/32"	1-23/32"	7/8"	1-31/32"	3-11/32"	1.04 lbs
DWMT75151OSP	38 mm	2-7/32"	1-23/32"	7/8"	1-31/32"	3-11/32"	1.82 lbs
DWMT75152B	41 mm	2-3/8"	1-23/32"	7/8"	1-31/32"	3-11/32"	1.37 lbs
DWMT19048B	46 mm	2-5/8"	1-23/32"	1-1/32"	1-31/32"	3-3/4"	1.79 lbs

ASME B107.110

IMPACT ACCESSORIES

IMPACT EXTENSIONS



BULK PRODUCT #	RETAIL PRODUCT #	DRIVE SIZE	OVERALL LENGTH (L)	WEIGHT
DWMT17162B	--	3/8"	3"	0.18 lbs
DWMT17163B	--	3/8"	5"	0.28 lbs
DWMT17164B	--	3/8"	6-15/16"	0.38 lbs
DWMT19200B	--	1/2"	1-31/32"	0.22 lbs
DWMT75367B	DWMT75367OSP	1/2"	3"	0.26 lbs
DWMT75368B	DWMT75368OSP	1/2"	5"	0.32 lbs
DWMT75369B	DWMT75369OSP	1/2"	9-27/32"	0.50 lbs
DWMT75365B	DWMT75365OSP	3/4"	4"	0.97 lbs
DWMT75373B	DWMT75373OSP	3/4"	6-15/16"	2.01 lbs
DWMT17161B	--	3/4"	9-27/32"	2.64 lbs

ASME B107.110

IMPACT UNIVERSAL JOINTS



BULK PRODUCT #	RETAIL PRODUCT #	DRIVE SIZE	OVERALL LENGTH (L)	WEIGHT
DWMT17165B	--	3/8"	2"	0.22 lbs
DWMT75366B	DWMT75366OSP	1/2"	2-7/16"	0.44 lbs
DWMT75374B	DWMT75374OSP	3/4"	3-1/2"	1.43 lbs

ASME B107.110

IMPACT ADAPTERS



BULK PRODUCT #	RETAIL PRODUCT #	INPUT DRIVE SIZE	OUTPUT DRIVE SIZE	OVERALL LENGTH (L)	WEIGHT
DWMT75371B	DWMT75371OSP	1/2"	3/8"	1-1/2"	0.14 lbs
DWMT75372B	DWMT75372OSP	1/2"	3/4"	1-7/8"	0.31 lbs
DWMT75295B	DWMT75295OSP	3/4"	1/2"	2-1/8"	0.29 lbs

ASME B107.110

RETAINING PINS

BULK PRODUCT #	DRIVE SIZE	SIZE
DWMT17154B	3/8"	6-15 mm (1/4" - 9/16")
DWMT17152B	3/8"	16-24 mm (5/8" - 1")
DWMT17146B	1/2"	8-20 mm (5/16" - 13/16")
DWMT17140B	1/2"	21-32 mm (7/8" - 1-1/4")
DWMT17142B	1/2"	33-36 mm (1-5/16" - 1-3/8")
DWMT17144B	1/2"	37-50mm (1-7/16" - 1-15/16")
DWMT17139B	1/2"	51-57 mm (2" - 2-1/4")
DWMT17148B	3/4"	17-27 mm (1/2" - 1-1/16")
DWMT17150B	3/4"	28-46 mm 1-1/8" - 1-15/16"



O-RINGS

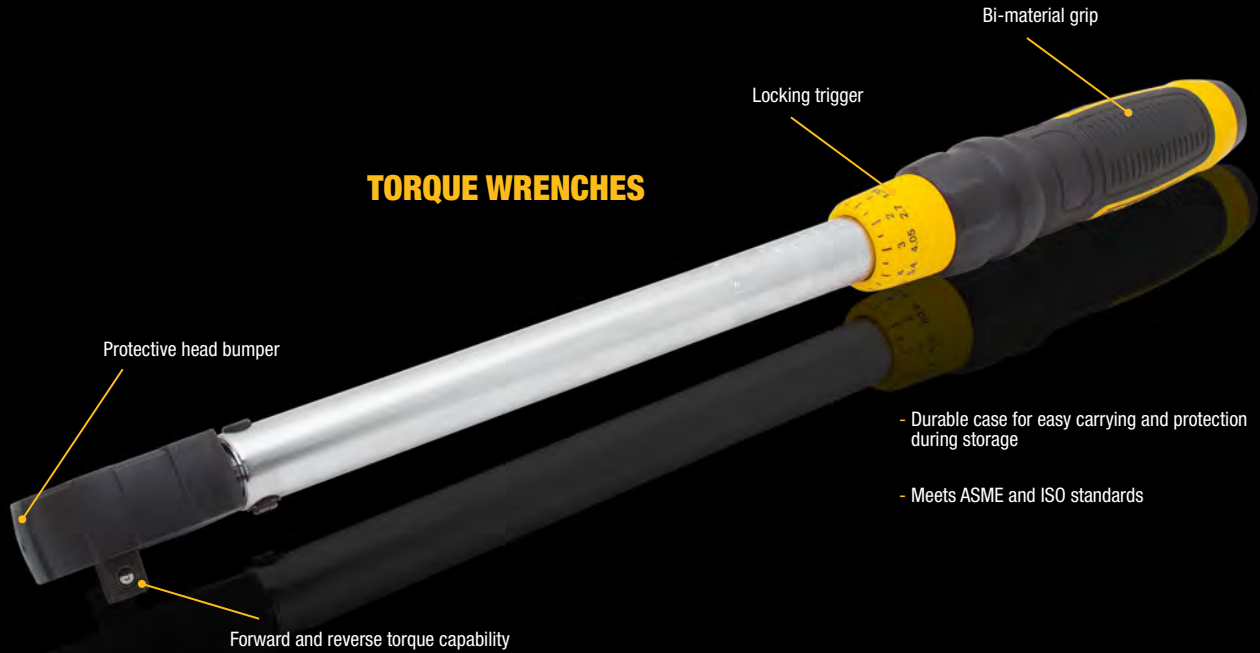
BULK PRODUCT #	DRIVE SIZE	SIZE
DWMT17156B	3/8"	6-15 mm (1/4" - 9/16")
DWMT17153B	3/8"	16-24 mm (5/8" - 1")
DWMT17147B	1/2"	8-20 mm (5/16" - 13/16")
DWMT17141B	1/2"	21-32 mm (7/8" - 1-1/4")
DWMT17143B	1/2"	33-36 mm (1-5/16" - 1-3/8")
DWMT17145B	1/2"	37-50mm (1-7/16" - 1-15/16")
DWMT17149B	3/4"	17-27 mm (1/2" - 1-1/16")
DWMT17151B	3/4"	28-46 mm (1-1/8" - 1-15/16")





TORQUE WRENCHES

TORQUE WRENCHES



- Durable case for easy carrying and protection during storage

- Meets ASME and ISO standards

TORQUE WRENCHES

- 72 tooth gear with 5 degree arc swing
- Accurate in clock-wise direction +/- 4%.
- Accurate in counter clock-wise direction +/- 6%
- Meets ASME B107.14M 2004 and ISO standards



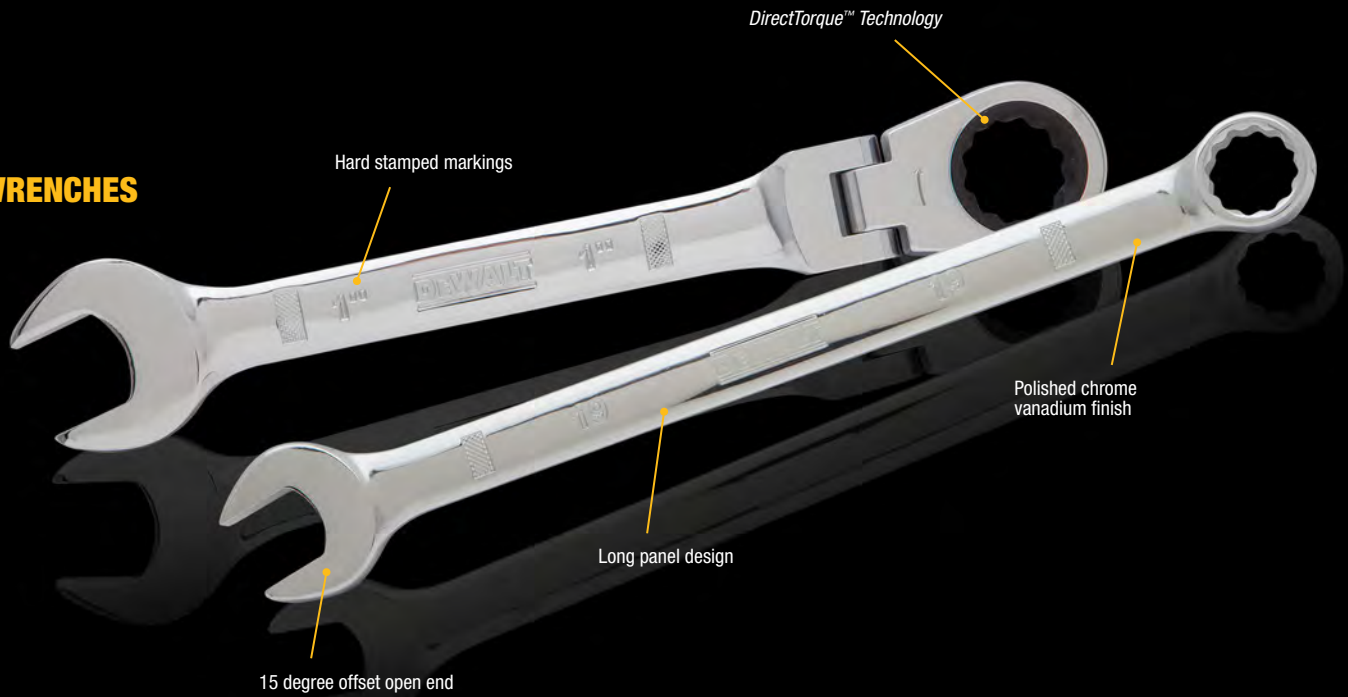
MICRO ADJUST TORQUE WRENCHES

PRODUCT #	DRIVE SIZE	TORQUE RANGE (FT-LBS)	TORQUE RANGE (Nm)	INCREMENTS (FT-LBS)	INCREMENTS (Nm)	HEAD WIDTH	HEAD DEPTH	OVERALL LENGTH	WEIGHT
DWMT75463	3/8"	20-100	27.11-135.58	1	1.35	1-9/16"	7/8"	17-5/16"	2.16 lbs
DWMT75462	1/2"	50-250	67.79 - 338.95	1	1.35	1-13/16"	1"	27-1/2"	4.03 lbs



WRENCHES

WRENCHES



RATCHETING WRENCH SETS

- 72 teeth providing 5 degree arc swing
- Stamped hashmark pattern on wrench handle helps provide added grip points
- Sizes stamped twice on both sides of wrench handle for easy size identification
- 15 degree offset open end allows an increased range of arc swing in tight spaces
- DirectTorque™ Technology helps prevent rounding of fasteners
- Stamped markings provide permanent visibility and helps prevent wear over time
- Heavy-duty canvas tool roll

12 PIECE FULL POLISH RATCHETING WRENCH SET



PRODUCT #	CONTENTS	DESCRIPTION
DWMT19232	DWMT72288	Ratcheting Combination Wrench 1/4"
	DWMT72289	Ratcheting Combination Wrench 5/16"
	DWMT19199	Ratcheting Combination Wrench 11/32"
	DWMT72291	Ratcheting Combination Wrench 3/8"
	DWMT72292	Ratcheting Combination Wrench 7/16"
	DWMT72293	Ratcheting Combination Wrench 1/2"

CONTENTS	DESCRIPTION
DWMT72294	Ratcheting Combination Wrench 9/16"
DWMT72295	Ratcheting Combination Wrench 5/8"
DWMT72296	Ratcheting Combination Wrench 11/16"
DWMT72297	Ratcheting Combination Wrench 3/4"
DWMT75235	Ratcheting Combination Wrench 13/16"
DWMT75255	Ratcheting Combination Wrench 7/8"

RATCHETING WRENCH SETS

- 72 teeth providing 5 degree arc swing
- Stamped hashmark pattern on wrench handle helps provide added grip points
- Sizes stamped twice on both sides of wrench handle for easy size identification
- 15 degree offset open end allows an increased range of arc swing in tight spaces

- DirectTorque™ Technology helps prevent rounding of fasteners
- Stamped markings provide permanent visibility and helps prevent wear over time

12 PIECE FULL POLISH METRIC RATCHETING WRENCH SET

- Heavy-duty canvas tool roll

PRODUCT #	CONTENTS	DESCRIPTION
DWMT19230		
	DWMT75256	Ratcheting Combination Wrench 8 mm
	DWMT75257	Ratcheting Combination Wrench 9 mm
	DWMT72298	Ratcheting Combination Wrench 10 mm
	DWMT72299	Ratcheting Combination Wrench 11 mm
	DWMT72300	Ratcheting Combination Wrench 12 mm
	DWMT72301	Ratcheting Combination Wrench 13 mm

CONTENTS	DESCRIPTION
DWMT72302	Ratcheting Combination Wrench 14 mm
DWMT72303	Ratcheting Combination Wrench 15 mm
DWMT72304	Ratcheting Combination Wrench 16 mm
DWMT72305	Ratcheting Combination Wrench 17 mm
DWMT72306	Ratcheting Combination Wrench 18 mm
DWMT72307	Ratcheting Combination Wrench 19 mm



8 PIECE FULL POLISH RATCHETING COMBINATION WRENCH SET

- Interlocking stackable case with removable inner tray

PRODUCT #	CONTENTS	DESCRIPTION
DWMT74733		
	DWMT72289	Ratcheting Combination Wrench 5/16"
	DWMT72291	Ratcheting Combination Wrench 3/8"
	DWMT72292	Ratcheting Combination Wrench 7/16"
	DWMT72293	Ratcheting Combination Wrench 1/2"

CONTENTS	DESCRIPTION
DWMT72294	Ratcheting Combination Wrench 9/16"
DWMT72295	Ratcheting Combination Wrench 5/8"
DWMT72296	Ratcheting Combination Wrench 11/16"
DWMT72297	Ratcheting Combination Wrench 3/4"



8 PIECE FULL POLISH METRIC RATCHETING COMBINATION WRENCH SET

- Interlocking stackable case with removable inner tray.

PRODUCT #	CONTENTS	DESCRIPTION
DWMT74734		
	DWMT72298	Ratcheting Combination Wrench 10 mm
	DWMT72299	Ratcheting Combination Wrench 11 mm
	DWMT72300	Ratcheting Combination Wrench 12 mm
	DWMT72301	Ratcheting Combination Wrench 13 mm

CONTENTS	DESCRIPTION
DWMT72302	Ratcheting Combination Wrench 14 mm
DWMT72303	Ratcheting Combination Wrench 15 mm
DWMT72304	Ratcheting Combination Wrench 16 mm
DWMT72306	Ratcheting Combination Wrench 18 mm



FLEX HEAD RATCHETING WRENCH SETS

- Flexible Head for increased access in hard to reach areas
- 72 teeth providing 5 degree arc swing
- Stamped hashmark pattern on wrench handle helps provide added grip points
- Sizes stamped twice on both sides of wrench handle for easy size identification
- 15 degree offset open end allows an increased range of arc swing in tight spaces

- DirectTorque™ Technology helps prevent rounding of fasteners
- Stamped markings provide permanent visibility and helps prevent wear over time
- Heavy-duty canvas tool roll



12 PIECE FULL POLISH FLEX HEAD RATCHETING WRENCH SET

PRODUCT #	CONTENTS	DESCRIPTION
DWMT19231	DWMT75635	Flex Head Ratcheting Combination Wrench 5/16"
	DWMT75210	Flex Head Ratcheting Combination Wrench 3/8"
	DWMT75212	Flex Head Ratcheting Combination Wrench 7/16"
	DWMT75200	Flex Head Ratcheting Combination Wrench 1/2"
	DWMT75213	Flex Head Ratcheting Combination Wrench 9/16"
	DWMT75211	Flex Head Ratcheting Combination Wrench 5/8"

CONTENTS	DESCRIPTION
DWMT75202	Flex Head Ratcheting Combination Wrench 11/16"
DWMT75209	Flex Head Ratcheting Combination Wrench 3/4"
DWMT19584	Flex Head Ratcheting Combination Wrench 13/16"
DWMT19586	Flex Head Ratcheting Combination Wrench 7/8"
DWMT19585	Flex Head Ratcheting Combination Wrench 15/16"
DWMT19582	Flex Head Ratcheting Combination Wrench 1"

12 PIECE FULL POLISH METRIC FLEX HEAD RATCHETING WRENCH SET

PRODUCT #	CONTENTS	DESCRIPTION
DWMT19229	DWMT75640	Flex Head Ratcheting Combination Wrench 8 mm
	DWMT75641	Flex Head Ratcheting Combination Wrench 9 mm
	DWMT75201	Flex Head Ratcheting Combination Wrench 10 mm
	DWMT75642	Flex Head Ratcheting Combination Wrench 11 mm
	DWMT75203	Flex Head Ratcheting Combination Wrench 12 mm
	DWMT75204	Flex Head Ratcheting Combination Wrench 13 mm

CONTENTS	DESCRIPTION
DWMT75205	Flex Head Ratcheting Combination Wrench 14 mm
DWMT75206	Flex Head Ratcheting Combination Wrench 15 mm
DWMT75643	Flex Head Ratcheting Combination Wrench 16 mm
DWMT75207	Flex Head Ratcheting Combination Wrench 17 mm
DWMT75644	Flex Head Ratcheting Combination Wrench 18 mm
DWMT75208	Flex Head Ratcheting Combination Wrench 19 mm



STUBBY RATCHETING WRENCH SETS

- 72 teeth providing 5 degree arc swing
- Short Panel design gives more access to tighter spaces
- Stamped hashmark pattern on wrench handle helps provide added grip points
- Sizes stamped twice on both sides of wrench handle for easy size identification
- 15 degree offset open end allows an increased range of arc swing in tight spaces

- DirectTorque™ Technology helps prevent rounding of fasteners
- Stamped markings provide permanent visibility and helps prevent wear over time
- Heavy-duty canvas tool roll

7 PIECE FULL POLISH STUBBY RATCHETING WRENCH SET

PRODUCT #	CONTENTS	DESCRIPTION
DWMT19262	DWMT75962	Stubby Ratcheting Combination Wrench 3/8"
	DWMT75963	Stubby Ratcheting Combination Wrench 7/16"
	DWMT75964	Stubby Ratcheting Combination Wrench 1/2"

CONTENTS	DESCRIPTION
DWMT75965	Stubby Ratcheting Combination Wrench 9/16"
DWMT75966	Stubby Ratcheting Combination Wrench 5/8"
DWMT75967	Stubby Ratcheting Combination Wrench 11/16"
DWMT75968	Stubby Ratcheting Combination Wrench 3/4"



7 PIECE FULL POLISH METRIC STUBBY RATCHETING WRENCH SET

PRODUCT #	CONTENTS	DESCRIPTION
DWMT19261	DWMT75731	Stubby Ratcheting Combination Wrench 10 mm
	DWMT75733	Stubby Ratcheting Combination Wrench 12 mm
	DWMT75734	Stubby Ratcheting Combination Wrench 13 mm

CONTENTS	DESCRIPTION
DWMT75735	Stubby Ratcheting Combination Wrench 14 mm
DWMT75736	Stubby Ratcheting Combination Wrench 15 mm
DWMT75738	Stubby Ratcheting Combination Wrench 17 mm
DWMT75741	Stubby Ratcheting Combination Wrench 19 mm



COMBINATION WRENCH SETS

- 72 teeth providing 5 degree arc swing
- Stamped hashmark pattern on wrench handle helps provide added grip points
- Sizes stamped twice on both sides of wrench handle for easy size identification
- 15 degree offset open end allows an increased range of arc swing in tight spaces
- DirectTorque™ Technology helps prevent rounding of fasteners
- Stamped markings provide permanent visibility and helps prevent wear over time
- Interlocking stackable case with removable inner tray

18 PIECE FULL POLISH METRIC COMBINATION WRENCH SET

PRODUCT #	CONTENTS	DESCRIPTION	CONTENTS	DESCRIPTION
DWMT19237			DWMT72216	Combination Wrench 15 mm
	DWMT75708	Combination Wrench 6 mm	DWMT72217	Combination Wrench 16 mm
	DWMT75197	Combination Wrench 7 mm	DWMT72218	Combination Wrench 17 mm
	DWMT75198	Combination Wrench 8 mm	DWMT72219	Combination Wrench 18 mm
	DWMT75199	Combination Wrench 9 mm	DWMT72220	Combination Wrench 19 mm
	DWMT72211	Combination Wrench 10 mm	DWMT75192	Combination Wrench 20 mm
	DWMT72212	Combination Wrench 11 mm	DWMT75193	Combination Wrench 21 mm
	DWMT72213	Combination Wrench 12 mm	DWMT75194	Combination Wrench 22 mm
	DWMT72214	Combination Wrench 13 mm	DWMT79119	Combination Wrench 24 mm
	DWMT72215	Combination Wrench 14 mm		



17 PIECE FULL POLISH COMBINATION WRENCH SET

PRODUCT #	CONTENTS	DESCRIPTION	CONTENTS	DESCRIPTION
DWMT19234			DWMT72198	Combination Wrench 11/16"
	DWMT72189	Combination Wrench 1/4"	DWMT72199	Combination Wrench 3/4"
	DWMT72191	Combination Wrench 5/16"	DWMT72200	Combination Wrench 13/16"
	DWMT72192	Combination Wrench 11/32"	DWMT72201	Combination Wrench 7/8"
	DWMT72193	Combination Wrench 3/8"	DWMT72202	Combination Wrench 15/16"
	DWMT72194	Combination Wrench 7/16"	DWMT75184	Combination Wrench 1"
	DWMT72195	Combination Wrench 1/2"	DWMT75187	Combination Wrench 1-1/4"
	DWMT72196	Combination Wrench 9/16"	DWMT75188	Combination Wrench 1-1/8"
	DWMT72197	Combination Wrench 5/8"	DWMT75185	Combination Wrench 1-1/16"



COMBINATION WRENCH SETS

- 15 degree offset box end for knuckle clearance
- Long panel design gives more torque during use
- Stamped hashmark pattern on wrench handle helps provide added grip points
- Sizes stamped twice on both sides of wrench handle for easy size identification
- 15 degree offset open end allows an increased range of arc swing in tight spaces

- DirectTorque™ Technology helps prevent rounding of fasteners
- Stamped markings provide permanent visibility and helps prevent wear over time

10 PIECE FULL POLISH METRIC COMBINATION WRENCH SET

- Heavy-duty canvas tool roll



PRODUCT #	CONTENTS	DESCRIPTION
DWMT19227		
	DWMT72211	Combination Wrench 10 mm
	DWMT72212	Combination Wrench 11 mm
	DWMT72213	Combination Wrench 12 mm
	DWMT72214	Combination Wrench 13 mm
	DWMT72215	Combination Wrench 14 mm

CONTENTS	DESCRIPTION
DWMT72216	Combination Wrench 15 mm
DWMT72217	Combination Wrench 16 mm
DWMT72218	Combination Wrench 17 mm
DWMT72219	Combination Wrench 18 mm
DWMT72220	Combination Wrench 19 mm

9 PIECE FULL POLISH COMBINATION WRENCH SET

- Heavy-duty canvas tool roll



PRODUCT #	CONTENTS	DESCRIPTION
DWMT19265		
	DWMT72189	Combination Wrench 1/4"
	DWMT72191	Combination Wrench 5/16"
	DWMT72193	Combination Wrench 3/8"
	DWMT72194	Combination Wrench 7/16"

CONTENTS	DESCRIPTION
DWMT72195	Combination Wrench 1/2"
DWMT72196	Combination Wrench 9/16"
DWMT72197	Combination Wrench 5/8"
DWMT72198	Combination Wrench 11/16"
DWMT72199	Combination Wrench 3/4"

8 PIECE FULL POLISH COMBINATION WRENCH SET

- Interlocking stackable case with removable inner tray



PRODUCT #	CONTENTS	DESCRIPTION
DWMT73809		
	DWMT72189	Combination Wrench 1/4"
	DWMT72191	Combination Wrench 5/16"
	DWMT72193	Combination Wrench 3/8"
	DWMT72194	Combination Wrench 7/16"

CONTENTS	DESCRIPTION
DWMT72195	Combination Wrench 1/2"
DWMT72196	Combination Wrench 9/16"
DWMT72197	Combination Wrench 5/8"
DWMT72198	Combination Wrench 11/16"

8 PIECE FULL POLISH METRIC COMBINATION WRENCH SET

- Interlocking stackable case with removable inner tray



PRODUCT #	CONTENTS	DESCRIPTION
DWMT73810		
	DWMT72211	Combination Wrench 10 mm
	DWMT72212	Combination Wrench 11 mm
	DWMT72213	Combination Wrench 12 mm
	DWMT72214	Combination Wrench 13 mm

CONTENTS	DESCRIPTION
DWMT72215	Combination Wrench 14 mm
DWMT72216	Combination Wrench 15 mm
DWMT72217	Combination Wrench 16 mm
DWMT72218	Combination Wrench 17 mm

FLARE NUT WRENCH SETS

- Chamfered edge to wrench head for easy engagement to fastener
- Stamped hashmark pattern on wrench handle helps provide added grip points
- Sizes stamped twice on both sides of wrench handle for easy size identification
- 15 degree offset open end allows an increased range of arc swing in tight spaces
- Stamped markings provide permanent visibility and helps prevent wear over time
- Injection molded rack

5 PIECE FULL POLISH FLARE NUT WRENCH SET

PRODUCT #	CONTENTS	DESCRIPTION	CONTENTS	DESCRIPTION
DWMT19256	DWMT75951	Flare Nut Wrench 1/4" X 5/16"	DWMT75214	Flare Nut Wrench 1/2" X 9/16"
	DWMT75218	Flare Nut Wrench 3/8" X 7/16"	DWMT75219	Flare Nut Wrench 5/8" X 11/16"
			DWMT75952	Flare Nut Wrench 3/4" X 7/8"



5 PIECE FULL POLISH METRIC FLARE NUT WRENCH SET

PRODUCT #	CONTENTS	DESCRIPTION	CONTENTS	DESCRIPTION
DWMT19254	DWMT74614	Flare Nut Wrench 9 X 11 mm	DWMT75216	Flare Nut Wrench 13 X 14 mm
	DWMT75215	Flare Nut Wrench 10 X 12 mm	DWMT75217	Flare Nut Wrench 15 X 17 mm
			DWMT75499	Flare Nut Wrench 16 X 18 mm



5 PIECE FULL POLISH METRIC FLARE NUT WRENCH SET

PRODUCT #	CONTENTS	DESCRIPTION	CONTENTS	DESCRIPTION
DWMT19253	DWMT75953	Flare Nut Wrench 7 X 9 mm	DWMT75954	Flare Nut Wrench 11 X 13 mm
	DWMT75498	Flare Nut Wrench 8 X 10 mm	DWMT75955	Flare Nut Wrench 12 X 14 mm
			DWMT75956	Flare Nut Wrench 17 X 19 mm



DOUBLE BOX END WRENCH SETS

- Offset box end increases access to hard to reach fasteners
- Two sizes per wrench gives more options with less to carry
- Stamped hashmark pattern on wrench handle helps provide added grip points
- Sizes stamped twice on both sides of wrench handle for easy size identification

- DirectTorque™ Technology helps prevent rounding of fasteners
- Stamped markings provide permanent visibility and helps prevent wear over time
- Heavy-duty canvas tool roll

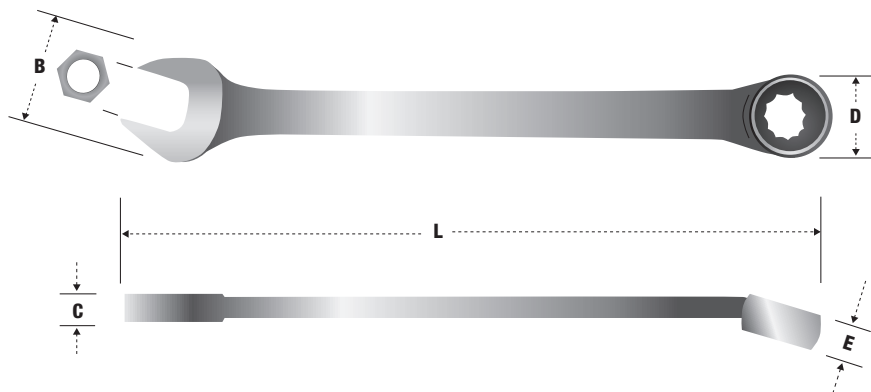
5 PIECE FULL POLISH OFFSET DOUBLE BOX WRENCH SET

PRODUCT #	CONTENTS	DESCRIPTION	CONTENTS	DESCRIPTION
DWMT19255			DWMT19578	Offset Double Box Wrench 11/16" - 3/4"
	DWMT19581	Offset Double Box Wrench 3/8" - 7/16"	DWMT19579	Offset Double Box Wrench 13/16" - 7/8"
	DWMT19577	Offset Double Box Wrench 1/2" - 9/16"	DWMT19580	Offset Double Box Wrench 15/16" - 1"



9 PIECE FULL POLISH METRIC OFFSET DOUBLE BOX WRENCH SET

PRODUCT #	CONTENTS	DESCRIPTION	CONTENTS	DESCRIPTION
DWMT19263			DWMT75746	Offset Double Box Wrench 14 X 15 mm
	DWMT75742	Offset Double Box Wrench 6 X 7 mm	DWMT75747	Offset Double Box Wrench 16 X 17 mm
	DWMT75743	Offset Double Box Wrench 8 X 9 mm	DWMT75801	Offset Double Box Wrench 18 X 19 mm
	DWMT75744	Offset Double Box Wrench 10 X 11 mm	DWMT75748	Offset Double Box Wrench 20 X 22 mm
	DWMT75745	Offset Double Box Wrench 12 X 13 mm	DWMT75749	Offset Double Box Wrench 21 X 23 mm



FLEX HEAD RATCHETING WRENCHES

- Flexible Head for increased access to hard to reach fasteners
- 72 teeth providing 5 degree arc swing
- Stamped hashmark pattern on wrench handle helps provide added grip points
- Sizes stamped twice on both sides of wrench handle for easy size identification
- 15 degree offset open end allows an increased range of arc swing in tight spaces

- DirectTorque™ Technology helps prevent rounding of fasteners
- Stamped markings provide permanent visibility and helps prevent wear over time

FLEX HEAD RATCHETING COMBINATION WRENCHES



BULK PRODUCT #	RETAIL PRODUCT #	SIZE	OUTSIDE HEAD WIDTH (B)	HEAD THICKNESS (C)	OUTSIDE HEAD WIDTH (D)	HEAD THICKNESS (E)	OVERALL LENGTH (L)	WEIGHT
DWMT75635B	--	5/16"	21/32"	9/32"	11/16"	5/32"	5"	0.09 lbs
DWMT19583B	--	11/32"	3/4"	9/32"	25/32"	3/16"	5-3/16"	0.10 lbs
DWMT75210B	DWMT752100SP	3/8"	25/32"	5/16"	7/8"	3/16"	5-11/32"	0.13 lbs
DWMT75212B	DWMT752120SP	7/16"	13/16"	5/16"	15/16"	7/32"	5-9/16"	0.15 lbs
DWMT75200B	DWMT752000SP	1/2"	31/32"	11/32"	1-1/16"	7/32"	6-1/16"	0.22 lbs
DWMT75213B	DWMT752130SP	9/16"	1-1/16"	3/8"	1-7/32"	1/4"	6-9/32"	0.26 lbs
DWMT75211B	DWMT752110SP	5/8"	1-3/16"	13/32"	1-5/16"	1/4"	7-1/32"	0.34 lbs
DWMT75202B	DWMT752020SP	11/16"	1-1/4"	13/32"	1-7/16"	9/32"	7-15/32"	0.42 lbs
DWMT75209B	DWMT752090SP	3/4"	1-11/32"	7/16"	1-19/32"	5/16"	8-15/32"	0.54 lbs
DWMT19584B	--	13/16"	1-9/16"	1/2"	1-13/16"	11/32"	9-27/32"	0.83 lbs
DWMT19586B	--	7/8"	1-9/16"	1/2"	1-13/16"	11/32"	9-27/32"	0.79 lbs
DWMT19585B	--	15/16"	1-25/32"	9/16"	2-1/16"	13/32"	11-13/32"	1.20 lbs
DWMT19582B	--	1"	1-25/32"	9/16"	2-1/16"	13/32"	11-13/32"	1.16 lbs

ASME B107.100

FLEX HEAD METRIC RATCHETING COMBINATION WRENCHES



BULK PRODUCT #	RETAIL PRODUCT #	SIZE	OUTSIDE HEAD WIDTH (B)	HEAD THICKNESS (C)	OUTSIDE HEAD WIDTH (D)	HEAD THICKNESS (E)	OVERALL LENGTH (L)	WEIGHT
DWMT75640B	--	8 mm	21/32"	9/32"	11/16"	5/32"	5"	0.09 lbs
DWMT75641B	--	9 mm	3/4"	9/32"	25/32"	3/16"	5-3/16"	0.10 lbs
DWMT75201B	DWMT752010SP	10 mm	25/32"	5/16"	7/8"	3/16"	5-11/32"	0.13 lbs
DWMT75642B	--	11 mm	13/16"	5/16"	15/16"	7/32"	5-9/16"	0.15 lbs
DWMT75203B	DWMT752030SP	12 mm	29/32"	11/32"	1-1/32"	7/32"	5-13/16"	0.18 lbs
DWMT75204B	DWMT752040SP	13 mm	31/32"	11/32"	1-1/16"	7/32"	6-1/16"	0.21 lbs
DWMT75205B	DWMT752050SP	14 mm	1-1/16"	3/8"	1-7/32"	1/4"	6-9/32"	0.26 lbs
DWMT75206B	DWMT752060SP	15 mm	1-3/32"	3/8"	1-9/32"	1/4"	6-21/32"	0.31 lbs
DWMT75643B	--	16 mm	1-3/16"	13/32"	1-5/16"	9/32"	7-1/32"	0.34 lbs
DWMT75207B	DWMT752070SP	17 mm	1-1/4"	13/32"	1-7/16"	9/32"	7-15/32"	0.43 lbs
DWMT75644B	--	18 mm	1-5/16"	7/16"	1-1/2"	9/32"	8"	0.48 lbs
DWMT75208B	DWMT752080SP	19 mm	1-11/32"	7/16"	1-19/32"	5/16"	8-15/32"	0.55 lbs

ASME B107.100

RATCHETING WRENCHES

- 72 teeth providing 5 degree arc swing
- Stamped hashmark pattern on wrench handle helps provide added grip points
- Sizes stamped twice on both sides of wrench handle for easy size identification
- 15 degree offset open end allows an increased range of arc swing in tight spaces

- DirectTorque™ Technology helps prevent rounding of fasteners
- Stamped markings provide permanent visibility and helps prevent wear over time

NON-REVERSE RATCHETING COMBINATION WRENCHES



BULK PRODUCT #	RETAIL PRODUCT #	SIZE	OUTSIDE HEAD WIDTH (B)	HEAD THICKNESS (C)	OUTSIDE HEAD WIDTH (D)	HEAD THICKNESS (E)	OVERALL LENGTH (L)	WEIGHT
DWMT72288B	DWMT72288OSP	1/4"	25/32"	5/32"	21/32"	9/32"	3-17/32"	0.06 lbs
DWMT72289B	DWMT72289OSP	5/16"	25/32"	5/32"	21/32"	9/32"	4-3/8"	0.06 lbs
DWMT19199B	--	11/32"	13/16"	3/16"	3/4"	9/32"	4-27/32"	0.07 lbs
DWMT72291B	DWMT72291OSP	3/8"	7/8"	3/16"	25/32"	5/16"	5-5/32"	0.11 lbs
DWMT72292B	DWMT72292OSP	7/16"	15/16"	7/32"	13/16"	5/16"	5-25/32"	0.14 lbs
DWMT72293B	DWMT72293OSP	1/2"	1-1/16"	7/32"	31/32"	11/32"	6-15/32"	0.19 lbs
DWMT72294B	DWMT72294OSP	9/16"	1-7/32"	1/4"	1-1/16"	3/8"	7-5/32"	0.26 lbs
DWMT72295B	DWMT72295OSP	5/8"	1-11/32"	9/32"	1-3/16"	13/32"	7-15/16"	0.35 lbs
DWMT72296B	DWMT72296OSP	11/16"	1-15/32"	9/32"	1-1/4"	13/32"	8-25/32"	0.40 lbs
DWMT72297B	DWMT72297OSP	3/4"	1-19/32"	5/16"	1-11/32"	7/16"	9-11/16"	0.53 lbs
DWMT75235B	DWMT75235OSP	13/16"	1-13/16"	13/32"	1-21/32"	1/2"	11-7/32"	0.84 lbs
DWMT75255B	DWMT75255B	7/8"	1-13/16"	13/32"	1-21/32"	1/2"	11-7/32"	0.81 lbs
DWMT75238B	DWMT75238OSP	15/16"	2-1/32"	7/16"	1-7/8"	9/16"	12-25/32"	1.13 lbs
DWMT75223B	DWMT75223OSP	1"	2-1/32"	7/16"	1-7/8"	19/32"	12-13/16"	1.11 lbs
DWMT75228B	DWMT75228OSP	1-1/16"	2-3/16"	7/16"	2-1/32"	19/32"	14-1/8"	1.48 lbs
DWMT75232B	DWMT75232OSP	1-1/8"	2-3/16"	7/16"	2-1/32"	19/32"	14-1/8"	1.48 lbs
DWMT75231B	DWMT75231OSP	1-1/4"	2-17/32"	17/32"	2-11/32"	21/32"	16-23/32"	2.27 lbs

ASME B107.100

NON-REVERSE METRIC RATCHETING COMBINATION WRENCHES



BULK PRODUCT #	RETAIL PRODUCT #	SIZE	OUTSIDE HEAD WIDTH (B)	HEAD THICKNESS (C)	OUTSIDE HEAD WIDTH (D)	HEAD THICKNESS (E)	OVERALL LENGTH (L)	WEIGHT
DWMT75648B	--	7 mm	25/32"	5/32"	21/32"	9/32"	3-17/32"	0.06 lbs
DWMT75256B	DWMT75256OSP	8 mm	25/32"	5/32"	21/32"	9/32"	4-3/8"	0.06 lbs
DWMT75257B	DWMT75257OSP	9 mm	13/16"	3/16"	3/4"	9/32"	4-27/32"	0.09 lbs
DWMT72298B	DWMT72298OSP	10 mm	7/8"	3/16"	25/32"	5/16"	5-5/32"	0.11 lbs
DWMT72299B	DWMT72299OSP	11 mm	15/16"	7/32"	13/16"	5/16"	5-25/32"	0.14 lbs
DWMT72300B	DWMT72300OSP	12 mm	1"	7/32"	29/32"	11/32"	6-3/32"	0.18 lbs
DWMT72301B	DWMT72301OSP	13 mm	1-1/16"	7/32"	31/32"	11/32"	6-15/32"	0.19 lbs
DWMT72302B	DWMT72302OSP	14 mm	1-7/32"	1/4"	1-1/16"	3/8"	7-5/32"	0.26 lbs
DWMT72303B	DWMT72303OSP	15 mm	1-9/32"	1/4"	1-3/32"	3/8"	7-9/16"	0.30 lbs
DWMT72304B	DWMT72304OSP	16 mm	1-11/32"	9/32"	1-3/16"	13/32"	7-15/16"	0.33 lbs
DWMT72305B	DWMT72305OSP	17 mm	1-15/32"	9/32"	1-1/4"	13/32"	8-25/32"	0.40 lbs
DWMT72306B	DWMT72306OSP	18 mm	1-9/16"	5/16"	1-5/16"	7/16"	9-7/32"	0.44 lbs
DWMT72307B	DWMT72307OSP	19 mm	1-19/32"	5/16"	1-11/32"	7/16"	9-11/16"	0.49 lbs
DWMT75243B	DWMT75243OSP	20 mm	1-13/16"	13/32"	1-21/32"	1/2"	11-7/32"	0.85 lbs
DWMT75244B	DWMT75244OSP	21 mm	1-13/16"	13/32"	1-21/32"	1/2"	11-7/32"	0.84 lbs
DWMT75245B	DWMT75245OSP	22 mm	1-13/16"	13/32"	1-21/32"	1/2"	11-7/32"	0.81 lbs
DWMT75246B	DWMT75246OSP	24 mm	2-1/32"	7/16"	1-7/8"	9/16"	12-25/32"	1.13 lbs
DWMT75247B	DWMT75247OSP	27 mm	2-3/16"	7/16"	2-1/32"	19/32"	14-1/8"	1.48 lbs
DWMT75250B	DWMT75250OSP	30 mm	2-17/32"	17/32"	2-11/32"	21/32"	16-23/32"	2.27 lbs
DWMT75646B	--	32 mm	2-17/32"	17/32"	2-11/32"	21/32"	16-23/32"	2.27 lbs

ASME B107.100

RATCHETING WRENCHES

- Low profile reversing lever
- 72 teeth providing 5 degree arc swing
- Reversible ratcheting wrenches 13 degree offset box end for knuckle clearance

- Sizes stamped twice on both sides of wrench handle for easy size identification
- 15 degree offset open end allows an increased range of arc swing in tight spaces
- DirectTorque™ Technology helps prevent rounding of fasteners
- Stamped markings provide permanent visibility and helps prevent wear over time

REVERSIBLE RATCHETING COMBINATION WRENCHES



BULK PRODUCT #	RETAIL PRODUCT #	SIZE	OUTSIDE HEAD WIDTH (B)	HEAD THICKNESS (C)	OUTSIDE HEAD WIDTH (D)	HEAD THICKNESS (E)	OVERALL LENGTH (L)	WEIGHT
DWMT19588B	--	1/4"	19/32"	5/32"	9/16"	1/4"	5-1/32"	0.06 lbs
DWMT17332B	--	5/16"	21/32"	3/16"	21/32"	1/4"	5-1/2"	0.07 lbs
DWMT19592B	--	11/32"	3/4"	3/16"	23/32"	9/32"	5-29/32"	0.09 lbs
DWMT17331B	--	3/8"	13/16"	7/32"	25/32"	9/32"	6-1/4"	0.11 lbs
DWMT17334B	--	7/16"	29/32"	7/32"	27/32"	5/16"	6-1/2"	0.13 lbs
DWMT19587B	--	1/2"	1-1/16"	1/4"	31/32"	11/32"	7"	0.19 lbs
DWMT17335B	--	9/16"	1-5/32"	9/32"	1-1/16"	11/32"	7-17/32"	0.24 lbs
DWMT17333B	--	5/8"	1-5/16"	9/32"	1-3/16"	3/8"	8-3/16"	0.32 lbs
DWMT19591B	--	11/16"	1-13/32"	5/16"	1-1/4"	13/32"	8-29/32"	0.37 lbs
DWMT17330B	--	3/4"	1-9/16"	11/32"	1-11/32"	7/16"	9-3/4"	0.48 lbs
DWMT19595B	--	13/16"	1-13/16"	11/32"	1-9/16"	1/2"	11-13/32"	0.78 lbs
DWMT75649B	--	7/8"	1-13/16"	11/32"	1-9/16"	1/2"	11-13/32"	0.76 lbs

ASME B107.100

REVERSIBLE METRIC RATCHETING COMBINATION WRENCHES



BULK PRODUCT #	RETAIL PRODUCT #	SIZE	OUTSIDE HEAD WIDTH (B)	HEAD THICKNESS (C)	OUTSIDE HEAD WIDTH (D)	HEAD THICKNESS (E)	OVERALL LENGTH (L)	WEIGHT
DWMT75957B	--	8 mm	21/32"	3/16"	21/32"	1/4"	5-1/2"	0.07 lbs
DWMT75958B	--	9 mm	3/4"	3/16"	23/32"	9/32"	5-29/32"	0.09 lbs
DWMT19589B	--	10 mm	13/16"	7/32"	25/32"	9/32"	6-1/4"	0.11 lbs
DWMT19590B	--	11 mm	29/32"	7/32"	27/32"	5/16"	6-1/2"	0.13 lbs
DWMT19593B	--	12 mm	31/32"	1/4"	29/32"	5/16"	6-25/32"	0.16 lbs
DWMT19594B	--	13 mm	1-1/16"	1/4"	31/32"	11/32"	7"	0.19 lbs
DWMT19596B	--	14 mm	1-5/32"	9/32"	1-1/16"	11/32"	7-17/32"	0.23 lbs
DWMT19597B	--	15 mm	1-7/32"	9/32"	1-1/8"	3/8"	7-7/8"	0.27 lbs
DWMT19598B	--	16 mm	1-5/16"	9/32"	1-3/16"	3/8"	8-3/16"	0.32 lbs
DWMT19599B	--	17 mm	1-13/32"	5/16"	1-1/4"	13/32"	8-29/32"	0.38 lbs
DWMT19601B	--	18 mm	1-15/32"	5/16"	1-9/32"	13/32"	9-11/32"	0.42 lbs
DWMT19602B	--	19 mm	1-9/16"	11/32"	1-11/32"	7/16"	9-3/4"	0.48 lbs

ASME B107.100

STUBBY COMBINATION WRENCHES

- 72 teeth providing 5 degree arc swing
- Short panel design gives access to tight spaces
- Stamped hashmark pattern on wrench handle helps provide added grip points

- Sizes stamped twice on both sides of wrench handle for easy size identification
- 15 degree offset open end allows an increased range of arc swing in tight spaces
- DirectTorque™ Technology helps prevent rounding of fasteners
- Stamped markings provide permanent visibility and helps prevent wear over time

STUBBY COMBINATION WRENCHES



BULK PRODUCT #	RETAIL PRODUCT #	SIZE	OUTSIDE HEAD WIDTH (B)	HEAD THICKNESS (C)	OUTSIDE HEAD WIDTH (D)	HEAD THICKNESS (E)	OVERALL LENGTH (L)	WEIGHT
DWMT75959B	--	1/4"	21/32"	9/32"	25/32"	5/32"	3-17/32"	0.06 lbs
DWMT75960B	--	5/16"	21/32"	9/32"	25/32"	5/32"	3-17/32"	0.06 lbs
DWMT75961B	--	11/32"	3/4"	9/32"	13/16"	3/16"	3-21/32"	0.07 lbs
DWMT75962B	--	3/8"	25/32"	5/16"	7/8"	3/16"	3-13/16"	0.09 lbs
DWMT75963B	--	7/16"	13/16"	5/16"	15/16"	7/32"	4-1/32"	0.10 lbs
DWMT75964B	--	1/2"	31/32"	11/32"	1-1/16"	7/32"	4-11/32"	0.15 lbs
DWMT75965B	--	9/16"	1-1/16"	3/8"	1-7/32"	1/4"	4-17/32"	0.18 lbs
DWMT75966B	--	5/8"	1-1/4"	13/32"	1-11/32"	9/32"	4-27/32"	0.23 lbs
DWMT75967B	--	11/16"	1-5/16"	13/32"	1-15/32"	9/32"	5"	0.27 lbs
DWMT75968B	--	3/4"	1-11/32"	7/16"	1-19/32"	5/16"	5-15/32"	0.35 lbs

ASME B107.100

STUBBY COMBINATION WRENCHES

- 72 teeth providing 5 degree arc swing
- Short panel design gives access to tight spaces
- Stamped hashmark pattern on wrench handle helps provide added grip points
- Sizes stamped twice on both sides of wrench handle for easy size identification

- 15 degree offset open end allows an increased range of arc swing in tight spaces
- DirectTorque™ Technology helps prevent rounding of fasteners
- Stamped markings provide permanent visibility and helps prevent wear over time



METRIC STUBBY COMBINATION WRENCHES

BULK PRODUCT #	SIZE	OUTSIDE HEAD WIDTH (B)	HEAD THICKNESS (C)	OUTSIDE HEAD WIDTH (D)	HEAD THICKNESS (E)	OVERALL LENGTH (L)	WEIGHT
DWMT75727B	6 mm	21/32"	9/32"	25/32"	5/32"	3-17/32"	0.06 lbs
DWMT75728B	8 mm	21/32"	9/32"	25/32"	5/32"	3-17/32"	0.06 lbs
DWMT75729B	9 mm	3/4"	9/32"	13/16"	3/16"	3-21/32"	0.07 lbs
DWMT75731B	10 mm	25/32"	5/16"	7/8"	3/16"	3-13/16"	0.09 lbs
DWMT75732B	11 mm	13/16"	5/16"	15/16"	7/32"	4-1/32"	0.10 lbs
DWMT75733B	12 mm	29/32"	11/32"	1"	7/32"	4-3/16"	0.12 lbs
DWMT75734B	13 mm	31/32"	11/32"	1-1/16"	7/32"	4-11/32"	0.15 lbs
DWMT75735B	14 mm	1-1/16"	3/8"	1-7/32"	1/4"	4-17/32"	0.18 lbs
DWMT75736B	15 mm	1-3/32"	3/8"	1-9/32"	1/4"	4-11/16"	0.20 lbs
DWMT75737B	16 mm	1-3/16"	13/32"	1-11/32"	9/32"	4-27/32"	0.23 lbs
DWMT75738B	17 mm	1-1/4"	13/32"	1-15/32"	9/32"	5"	0.27 lbs
DWMT75739B	18 mm	1-5/16"	7/16"	1-9/16"	5/16"	5-3/16"	0.30 lbs
DWMT75741B	19 mm	1-11/32"	7/16"	1-19/32"	5/16"	5-15/32"	0.35 lbs

ASME B107.100

COMBINATION WRENCHES

- Long panel design gives more torque during use
- 15 degree offset box end for knuckle clearance
- Stamped hashmark pattern on wrench handle helps provide added grip points
- Sizes stamped twice on both sides of wrench handle for easy size identification

- 15 degree offset open end allows an increased range of arc swing in tight spaces
- DirectTorque™ Technology helps prevent rounding of fasteners
- Stamped markings provide permanent visibility and helps prevent wear over time



COMBINATION WRENCHES

BULK PRODUCT #	RETAIL PRODUCT #	SIZE	OUTSIDE HEAD WIDTH (B)	HEAD THICKNESS (C)	OUTSIDE HEAD WIDTH (D)	HEAD THICKNESS (E)	OVERALL LENGTH (L)	WEIGHT
DWMT72189B	DWMT72189OSP	1/4"	7/16"	1/4"	5/8"	5/32"	3-31/32"	0.05 lbs
DWMT75703B	--	9/32"	5/8"	5/32"	7/16"	7/32"	5-3/32"	0.06 lbs
DWMT72191B	DWMT72191OSP	5/16"	9/16"	9/32"	25/32"	3/16"	4-3/8"	0.07 lbs
DWMT72192B	DWMT72192	11/32"	25/32"	3/16"	9/16"	9/32"	5-7/8"	0.09 lbs
DWMT72193B	DWMT72193OSP	3/8"	5/8"	5/16"	7/8"	7/32"	5-5/32"	0.13 lbs
DWMT72194B	DWMT72194OSP	7/16"	23/32"	5/16"	15/16"	1/4"	5-25/32"	0.15 lbs
DWMT72195B	DWMT72195OSP	1/2"	13/16"	11/32"	1-1/16"	9/32"	6-15/32"	0.21 lbs
DWMT72196B	DWMT72196OSP	9/16"	7/8"	3/8"	1-7/32"	9/32"	7-5/32"	0.26 lbs
DWMT72197B	DWMT72197OSP	5/8"	31/32"	13/32"	1-11/32"	5/16"	7-15/16"	0.35 lbs
DWMT72198B	DWMT72198OSP	11/16"	1-1/16"	7/16"	1-1/2"	5/16"	8-25/32"	0.43 lbs
DWMT72199B	DWMT72199OSP	3/4"	1-5/32"	15/32"	1-19/32"	11/32"	9-11/16"	0.53 lbs
DWMT72200B	DWMT72200OSP	13/16"	1-1/4"	1/2"	1-23/32"	11/32"	10-21/32"	0.66 lbs
DWMT72201B	DWMT72201OSP	7/8"	1-11/32"	17/32"	1-13/16"	3/8"	11-21/32"	0.79 lbs
DWMT72202B	DWMT72202OSP	15/16"	1-13/32"	9/16"	1-15/16"	13/32"	12-5/8"	0.99 lbs
DWMT75184B	DWMT75184OSP	1" SAE	1-1/2"	19/32"	2-1/16"	7/16"	13-1/2"	1.12 lbs
DWMT75185B	DWMT75185OSP	1-1/16"	1-19/32"	5/8"	2-7/32"	15/32"	14-3/4"	1.36 lbs
DWMT75188B	DWMT75188OSP	1-1/8"	1-11/16"	21/32"	2-9/32"	1/2"	15-9/16"	1.63 lbs
DWMT75187B	DWMT75187OSP	1-1/4"	1-7/8"	3/4"	2-19/32"	17/32"	16-7/8"	2.10 lbs
DWMT74444B	DWMT74444OSP	1-5/16"	2-3/4"	17/32"	1-31/32"	11/16"	18-1/2"	2.36 lbs
DWMT74445B	DWMT74445OSP	1-3/8"	2-3/4"	17/32"	1-31/32"	11/16"	18-1/2"	2.22 lbs
DWMT74446B	DWMT74446OSP	1-7/16"	2-31/32"	9/16"	2-3/16"	23/32"	20-3/32"	2.69 lbs
DWMT74447B	DWMT74447OSP	1-1/2"	6-29/32"	9/16"	2-3/16"	23/32"	20-3/32"	2.74 lbs
DWMT75706B	--	1-5/8"	3-7/32"	19/32"	2-11/32"	23/32"	21-21/32"	3.56 lbs
DWMT75723B	--	1-11/16"	3-7/32"	19/32"	2-11/32"	23/32"	21 21/32"	3.56 lbs
DWMT75725B	--	1-3/4"	3-11/32"	11/16"	2-1/2"	3/4"	24-3/32"	3.98 lbs
DWMT75724B	--	1-13/16"	3-11/32"	11/16"	2-1/2"	3/4"	24-3/32"	4.24 lbs
DWMT75707B	--	1-7/8"	3-3/4"	3/4"	2-27/32"	7/8"	25-19/32"	6.01 lbs
DWMT75726B	--	2"	3-3/4"	3/4"	2-27/32"	7/8"	25-19/32"	5.51 lbs

ASME B107.100

COMBINATION WRENCHES

METRIC COMBINATION WRENCHES



BULK PRODUCT #	RETAIL PRODUCT #	SIZE	OUTSIDE HEAD WIDTH (B)	HEAD THICKNESS (C)	OUTSIDE HEAD WIDTH (D)	HEAD THICKNESS (E)	OVERALL LENGTH (L)	WEIGHT
DWMT75708B	--	06 mm	19/32"	5/32"	13/32"	7/32"	4-7/8"	0.05 lbs
DWMT75197B	DWMT751970SP	07 mm	5/8"	5/32"	7/16"	7/32"	5-3/32"	0.06 lbs
DWMT75198B	DWMT751980SP	08 mm	23/32"	5/32"	1/2"	1/4"	5-11/32"	0.07 lbs
DWMT75199B	DWMT751990SP	09 mm	25/32"	3/16"	9/16"	9/32"	5-7/8"	0.09 lbs
DWMT72211B	DWMT722110SP	10 mm	7/8"	7/32"	21/32"	5/16"	6-11/32"	0.11 lbs
DWMT72212B	DWMT722120SP	11 mm	15/16"	7/32"	21/32"	5/16"	6-5/8"	0.14 lbs
DWMT72213B	DWMT722130SP	12 mm	1-1/32"	7/32"	23/32"	11/32"	6-27/32"	0.17 lbs
DWMT72214B	DWMT722140SP	13 mm	1-1/32"	7/32"	3/4"	11/32"	7-3/32"	0.22 lbs
DWMT72215B	DWMT722150SP	14 mm	1-3/16"	1/4"	7/8"	11/32"	7-19/32"	0.26 lbs
DWMT72216B	DWMT722160SP	15 mm	1-1/4"	9/32"	7/8"	11/32"	7-7/8"	0.31 lbs
DWMT72217B	DWMT722170SP	16 mm	1-5/16"	9/32"	15/16"	13/32"	8-5/32"	0.35 lbs
DWMT72218B	DWMT722180SP	17 mm	1-7/16"	5/16"	1-1/32"	7/16"	8-31/32"	0.43 lbs
DWMT72219B	DWMT722190SP	18 mm	1-17/32"	11/32"	1-1/16"	7/16"	9-13/32"	0.51 lbs
DWMT72220B	DWMT722200SP	19 mm	1-19/32"	11/32"	1-1/8"	15/32"	9-27/32"	0.53 lbs
DWMT75192B	DWMT751920SP	20 mm	1-21/32"	11/32"	1-5/32"	15/32"	10-1/4"	0.63 lbs
DWMT75193B	DWMT751930SP	21 mm	1-11/16"	3/8"	1-3/16"	1/2"	10-21/32"	0.63 lbs
DWMT75194B	DWMT751940SP	22 mm	1-25/32"	3/8"	1-1/4"	17/32"	11-5/8"	0.78 lbs
DWMT72224B	DWMT722240SP	23 mm	1-25/32"	3/8"	1-1/4"	17/32"	11-5/8"	1.01 lbs
DWMT79119B	DWMT791190SP	24 mm	2-1/32"	13/32"	1-11/32"	9/16"	12-15/32"	1.01 lbs
DWMT75709B	--	25 mm	2-1/32"	7/16"	1-13/32"	19/32"	13-11/32"	1.11 lbs
DWMT75713B	--	26 mm	2-1/32"	7/16"	1-13/32"	19/32"	13-11/32"	1.18 lbs
DWMT75714B	--	27 mm	2-9/32"	7/16"	1-19/32"	19/32"	14-3/16"	1.23 lbs
DWMT75715B	--	28 mm	2-9/32"	15/32"	1-21/32"	21/32"	15-1/2"	1.60 lbs
DWMT75718B	--	29 mm	2-9/32"	15/32"	1-21/32"	21/32"	15-1/2"	1.50 lbs
DWMT75716B	--	30 mm	2-9/32"	15/32"	1-21/32"	21/32"	15-1/2"	1.52 lbs
DWMT75717B	--	32 mm	2-9/16"	17/32"	1-25/32"	11/16"	16-13/16"	1.94 lbs

ASME B107.100

OPEN END WRENCHES

- 15 degree offset open end allows an increased range of arc swing in tight spaces
- Two sizes per wrench gives more options with less to carry
- Stamped hashmark pattern on wrench handle helps provide added grip points
- Sizes stamped twice on both sides of wrench handle for easy size identification

- DirectTorque™ Technology helps prevent rounding of fasteners
- Stamped markings provide permanent visibility and helps prevent wear over time

OPEN END WRENCHES



BULK PRODUCT #	RETAIL PRODUCT #	SIZE	OUTSIDE HEAD WIDTH (B)	HEAD THICKNESS (C)	OUTSIDE HEAD WIDTH (D)	HEAD THICKNESS (E)	OVERALL LENGTH (L)	WEIGHT
DWMT75221B	DWMT752210SP	1/4" x 5/16"	5/8"	5/32"	23/32"	5/32"	4-27/32"	0.06 lbs
DWMT75222B	DWMT752220SP	3/8" x 7/16"	31/32"	3/16"	1-1/16"	3/16"	6-5/32"	0.13 lbs
DWMT75427B	DWMT754270SP	9/16" x 11/16"	1-5/16"	1/4"	1-17/32"	1/4"	7-11/16"	0.35 lbs
DWMT75428B	DWMT754280SP	5/8" x 3/4"	1-15/32"	1/4"	1-11/16"	1/4"	8-11/16"	0.35 lbs
DWMT75220B	DWMT752200SP	1/2" x 9/16"	1-7/32"	3/16"	1-5/16"	3/16"	7-3/32"	0.19 lbs

ASME B107.100

OPEN END WRENCHES

- 15 degree offset open end allows an increased range of arc swing in tight spaces
- Two sizes per wrench gives more options with less to carry
- Stamped hashmark pattern on wrench handle helps provide added grip points
- Sizes stamped twice on both sides of wrench handle for easy size identification

- DirectTorque™ Technology helps prevent rounding of fasteners
- Stamped markings provide permanent visibility and helps prevent wear over time



METRIC OPEN END WRENCHES

BULK PRODUCT #	RETAIL PRODUCT #	SIZE	OUTSIDE HEAD WIDTH (B)	HEAD THICKNESS (C)	OUTSIDE HEAD WIDTH (D)	HEAD THICKNESS (E)	OVERALL LENGTH (L)	WEIGHT
DWMT75431B	DWMT75431OSP	8 x 9 mm	13/16"	5/32"	29/32"	5/32"	5-1/2"	0.09 lbs
DWMT75432B	DWMT75432OSP	10 x 11 mm	31/32"	3/16"	1-1/16"	3/16"	6-5/32"	0.13 lbs
DWMT75433B	DWMT75433OSP	12 x 13 mm	1-5/32"	7/32"	1-7/32"	7/32"	6-5/32"	0.18 lbs
DWMT75434B	DWMT75434OSP	14 x 15 mm	1-5/16"	3/16"	1-3/8"	3/16"	7-13/32"	0.23 lbs
DWMT75435B	DWMT75435OSP	16 x 18 mm	1-15/32"	1/4"	1-17/32"	1/4"	8-1/32"	0.31 lbs
DWMT75436B	DWMT75436OSP	17 x 19 mm	1-5/8"	1/4"	1-11/16"	1/4"	8-11/16"	0.35 lbs

ASME B107.100

FLARE NUT WRENCHES

- Chamfered edge to wrench head for easy engagement to fastener
- Stamped hashmark pattern on wrench handle helps provide added grip points
- Sizes stamped twice on both sides of wrench handle for easy size identification

- 15 degree offset open end allows an increased range of arc swing in tight spaces
- Stamped markings provide permanent visibility and helps prevent wear over time



FLARE NUT WRENCHES

BULK PRODUCT #	RETAIL PRODUCT #	SIZE	OUTSIDE HEAD WIDTH (B)	HEAD THICKNESS (C)	OUTSIDE HEAD WIDTH (D)	HEAD THICKNESS (E)	OVERALL LENGTH (L)	WEIGHT
DWMT75951B	--	1/4" - 5/16"	11/16"	9/32"	5/8"	9/32"	5-5/16"	0.12 lbs
DWMT75218B	DWMT75218OSP	3/8" - 7/16"	29/32"	11/32"	27/32"	11/32"	6-3/32"	0.14 lbs
DWMT75214B	DWMT75214OSP	1/2" - 9/16"	1"	13/32"	29/32"	3/8"	6-7/8"	0.19 lbs
DWMT75219B	DWMT75219OSP	5/8" - 11/16"	1-3/16"	15/32"	1-1/16"	7/16"	7-7/8"	0.29 lbs
DWMT75952B	--	3/4" - 7/8"	1-13/32"	17/32"	1-1/4"	1/2"	8-27/32"	0.41 lbs

ASME B107.100

METRIC FLARE NUT WRENCHES



BULK PRODUCT #	RETAIL PRODUCT #	SIZE	OUTSIDE HEAD WIDTH (B)	HEAD THICKNESS (C)	OUTSIDE HEAD WIDTH (D)	HEAD THICKNESS (E)	OVERALL LENGTH (L)	WEIGHT
DWMT75953B	--	7 - 9 mm	13/16"	5/16"	23/32"	5/16"	5-23/32"	0.10 lbs
DWMT75498B	--	7 - 10 mm	13/16"	5/16"	23/32"	5/16"	5-23/32"	0.10 lbs
DWMT74614B	--	9 - 11 mm	13/16"	5/16"	23/32"	5/16"	5-23/32"	0.10 lbs
DWMT75215B	DWMT75215OSP	10 - 12 mm	29/32"	11/32"	27/32"	5/16"	6-3/32"	0.14 lbs
DWMT75954B	--	11 - 13 mm	1"	13/32"	29/32"	3/8"	6-7/8"	0.19 lbs
DWMT75955B	--	12 - 14 mm	1"	13/32"	29/32"	3/8"	6-7/8"	0.19 lbs
DWMT75216B	DWMT75216OSP	13 - 14 mm	1"	13/32"	29/32"	3/8"	6-7/8"	0.19 lbs
DWMT75217B	DWMT75217OSP	15 - 17 mm	1-3/16"	15/32"	1-1/16"	7/16"	7-7/8"	0.28 lbs
DWMT75499B	--	16 - 18 mm	1-7/32"	1/2"	1-1/8"	7/16"	8-9/32"	0.36 lbs
DWMT75956B	--	17 - 19 mm	1-7/32"	1/2"	1-1/8"	7/16"	8-9/32"	0.36 lbs

ASME B107.100



PLIERS

LOCKING PLIERS

CURVED JAW LOCKING PLIERS

- Welded construction for added strength
- Multi-Option Hex Nut screw for additional leverage when tightening pliers grip
- Lift trigger release

PRODUCT #	JAW LENGTH (A)	JAW WIDTH (B)	JAW THICKNESS	HEIGHT	OVERALL LENGTH (L)	WEIGHT
DWHT75901	1-13/64"	1-17/64"	1/4"	1-11/16"	5-5/8"	0.45 lbs
DWHT75902	1-9/64"	1-19/64"	7/16"	2"	7-1/4"	0.83 lbs
DWHT75903	1-39/64"	1-39/64"	9/16"	2-1/2"	8-5/8"	1.29 lbs

ASME B107.24



FLAT JAW LOCKING PLIERS

- Welded construction for added strength
- Multi-Option Hex Nut screw for additional leverage when tightening pliers grip
- Lift trigger release

PRODUCT #	JAW LENGTH (A)	JAW WIDTH (B)	JAW THICKNESS	HEIGHT	OVERALL LENGTH (L)	WEIGHT
DWHT75904	1-1/8"	1-25/32"	5/8"	2-5/16"	7-5/16"	0.91 lbs

ASME B107.24



LONG NOSE LOCKING PLIERS

- Welded construction for added strength
- Multi-Option Hex Nut screw for additional leverage when tightening pliers grip
- Lift trigger release

PRODUCT #	JAW LENGTH (A)	JAW WIDTH (B)	JAW THICKNESS	HEIGHT	OVERALL LENGTH (L)	WEIGHT
DWHT75905	2-5/32"	1-5/64"	5/16"	1-5/8"	6-5/8"	0.48 lbs
DWHT75906	2-19/32"	1-27/32"	5/16"	2-1/4"	9-1/4"	0.99 lbs

ASME B107.24



QUICK RELEASE CURVED JAW LOCKING PLIERS

- Welded construction for added strength
- Multi-Option Hex Nut screw for additional leverage when tightening pliers grip
- Lift trigger release
- Bi-Material Quick Release handle for comfort and control

PRODUCT #	JAW LENGTH (A)	JAW WIDTH (B)	JAW THICKNESS	HEIGHT	OVERALL LENGTH (L)	WEIGHT
DWHT75907	1-9/32"	1-17/32"	7/16"	2"	7-3/8"	0.90 lbs
DWHT75908	1-3/4"	1-57/64"	9/16"	2-1/2"	8-7/8"	1.29 lbs

ASME B107.24



LOCKING PLIERS

QUICK RELEASE LONG NOSE LOCKING PLIERS

- Welded construction for added strength
- Multi-Option Hex Nut screw for additional leverage when tightening pliers grip
- Lift trigger release
- Bi-Material Quick Release handle for comfort and control

PRODUCT #	JAW LENGTH (A)	JAW WIDTH (B)	JAW THICKNESS	HEIGHT	OVERALL LENGTH (L)	WEIGHT
DWHT75909	2-5/32"	1-3/32"	5/16"	1-5/8"	6-5/8"	0.50 lbs

ASME B107.24



LOCKING C-CLAMP

- Hex nut screw to allow for use of wrench for additional leverage when tightening pliers grip

PRODUCT #	MAXIMUM JAW CAPACITY	JAW THICKNESS	THROAT HEIGHT (B)	THROAT DEPTH (C)	HEIGHT	OVERALL LENGTH (L)	WEIGHT
DWHT75841	5-29/32"	9/16"	3-3/4"	2-9/16"	5-5/16"	11-27/54"	1.96 lbs

ASME B107.24

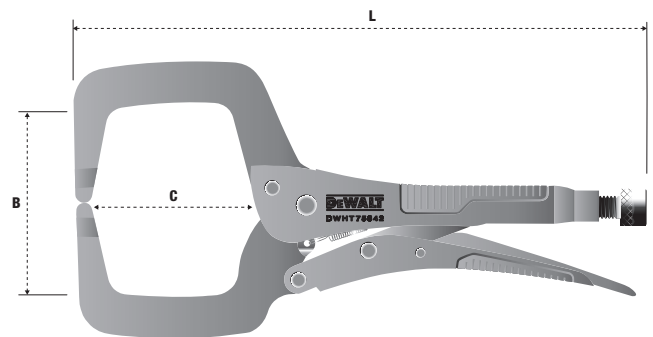
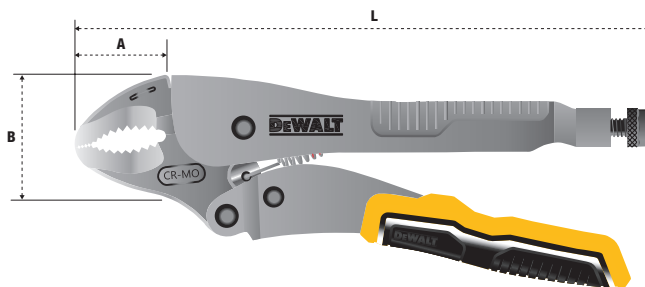


LOCKING C-CLAMP WITH SWIVEL TIP

- Hex nut screw to allow for use of wrench for additional leverage when tightening pliers grip

PRODUCT #	MAXIMUM JAW CAPACITY	JAW THICKNESS	THROAT HEIGHT (B)	THROAT DEPTH (C)	HEIGHT	OVERALL LENGTH (L)	WEIGHT
DWHT75842	3-15/32"	13/16"	2-7/16"	1-29/32"	3-17/32"	6-11/16"	0.58 lbs

ASME B107.24



PLIERS

COMPOUND ACTION PLIERS

- 70% more cutting power over standard cutting pliers
- Bi-material handles for strong grip and comfort
- Aggressive cross hatch tooth design for gripping

PRODUCT #	DESCRIPTION	GRIP MATERIAL	HANDLE LENGTH	JAW CAPACITY	JAW TIP SIZE	WEIGHT
DWHT70275	Diagonal Pliers	Bi-Material	4.25"	0.25"	0.75"	0.57 lbs
DWHT70276	Linesman Pliers	Bi-Material	4.25"	0.38"	0.50"	0.73 lbs
DWHT70277	Long Nose Pliers	Bi-Material	4.25"	0.75"	0.50"	0.66 lbs

ASME B107.5



FENCING PLIERS

- Hammer strike face
- Staple starter and puller
- Wire stretcher and splicer

PRODUCT #	GRIP MATERIAL	HANDLE LENGTH	JAW CAPACITY	JAW TIP SIZE	WEIGHT
DWHT70273	Bi-Material Cushion Handle	9-1/4"	1-1/2"	1"	1.64 lbs

ASME B107.5



CRIMPING PLIERS

- Crimps 10 to 22 AWG terminals and connectors
- Chrome vanadium steel forged pliers for strength and durability
- Bi-material cushion handle for strong grip and comfort

PRODUCT #	GRIP MATERIAL	HANDLE LENGTH	JAW CAPACITY	JAW TIP SIZE	WEIGHT
DWHT70272	Bi-Material Cushion Handle	9-1/2"	1"	0.50"	0.71 lbs

ASME B107.5



DIAGONAL PLIERS

- Forged chrome vanadium steel for strength and durability
- GripArmor™ coating helps prevent grips from tearing and provides long life
- Induction hardening helps blades stay sharp

PRODUCT #	LENGTH	GRIP MATERIAL	HANDLE LENGTH	JAW CAPACITY	JAW TIP SIZE	WEIGHT
DWHT71011	6-1/2"	Polyvinyl Chloride	3-1/2"	15/16"	0.13"	0.45 lbs
DWHT70815	6"	Polyvinyl Chloride	4"	3/4"	0.06"	0.40 lbs
DWHT70793	7"	Polyvinyl Chloride	4"	3/4"	0.06"	0.56 lbs
DWHT70794	8"	Polyvinyl Chloride	4-1/2"	1"	0.13"	0.70 lbs
DWHT70795	10"	Polyvinyl Chloride	6"	1-1/4"	0.13"	0.93 lbs

ASME B107.5



LINESMAN PLIERS

- Forged chrome vanadium steel for strength and durability
- GripArmor™ coating helps prevent grips from tearing and provides long life
- Induction hardening helps blades stay sharp

PRODUCT #	LENGTH	GRIP MATERIAL	HANDLE LENGTH	JAW CAPACITY	JAW TIP SIZE	WEIGHT
DWHT70796	7"	Polyvinyl Chloride	4-1/2"	1"	0.13"	0.65 lbs
DWHT70798	8"	Polyvinyl Chloride	5-1/2"	1-3/4"	0.56"	1.19 lbs
DWHT70797	9"	Polyvinyl Chloride	5-1/2"	1-3/4"	0.56"	1.19 lbs

ASME B107.5



PLIERS

LONG NOSE PLIERS

- Forged chrome vanadium steel for strength and durability
- GripArmor™ coating helps prevent grips from tearing and provides long life
- Induction hardening helps blades stay sharp

PRODUCT #	LENGTH	GRIP MATERIAL	HANDLE LENGTH	JAW CAPACITY	JAW TIP SIZE	WEIGHT
DWHT70799	6"	Polyvinyl Chloride	3"	1-3/4"	0.06"	0.36 lbs
DWHT70800	8"	Polyvinyl Chloride	5"	2"	0.06"	0.70 lbs

ASME B107.5



END NIPPERS

- Forged chrome vanadium steel for strength and durability
- GripArmor™ coating helps prevent grips from tearing and provides long life
- Precision machined jaws for gripping and twisting

PRODUCT #	LENGTH	GRIP MATERIAL	HANDLE LENGTH	JAW CAPACITY	JAW TIP SIZE	WEIGHT
DWHT70802	8"	Polyvinyl Chloride	5"	5/8"	1.13"	0.79 lbs
DWHT70803	10"	Polyvinyl Chloride	5-1/2"	1"	1.25"	1.23 lbs

ASME B107.5



SLIP JOINT PLIERS

- Forged chrome vanadium steel for strength and durability
- GripArmor™ coating helps prevent grips from tearing and provides long life
- Precision machined jaws for gripping and twisting

PRODUCT #	LENGTH	GRIP MATERIAL	HANDLE LENGTH	JAW CAPACITY	JAW TIP SIZE	WEIGHT
DWHT71924	6"	Polyvinyl Chloride	3-3/4"	2-1/4"	0.25"	0.44 lbs
DWHT71925	8"	Polyvinyl Chloride	4-11/29"	3-11/29"	0.31"	0.56 lbs

ASME B107.5

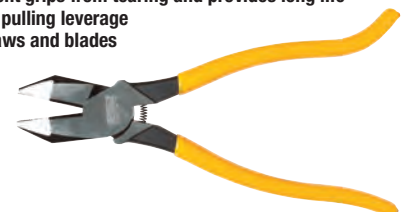


REBAR PLIERS

- Forged chrome vanadium steel for strength and durability
- GripArmor™ coating helps prevent grips from tearing and provides long life
- 135° bent handle for additional pulling leverage
- Precision induction hardened jaws and blades

PRODUCT #	DESCRIPTION	GRIP MATERIAL	HANDLE LENGTH	JAW CAPACITY	JAW TIP SIZE	WEIGHT
DWHT84818	Light-Duty	Polyvinyl Chloride (PVC)	6"	1"	0.25"	0.81 lbs
DWHT84720	Heavy-Duty	Polyvinyl Chloride (PVC)	6"	47/50"	0.25"	1.20 lbs

ASME B107.5





SCREWDRIVERS

SCREWDRIVERS

- Through hole handle can be used for added safety
- Sandblasted tip for improved grip in fasteners
- Molded tip identification that will withstand wear and tear
- Bi-material quad lobe handle provide comfort and maximum tip torque

SLOTTED SCREWDRIVERS

SLOTTED SCREWDRIVERS



PRODUCT #	TIP SIZE	SHANK LENGTH	SHANK TYPE	BOLSTER	OVERALL LENGTH	WEIGHT
DWHT60453	1/4"	4"	Round	No	8-1/2"	0.22 lbs
DWHT60454	1/4"	4"	Round	Yes	8-1/2"	0.22 lbs
DWHT60455	1/4"	1-1/2" (stubby)	Round	No	3-29/32"	0.10 lbs
DWHT60456	5/16"	6"	Round	No	10-3/4"	0.32 lbs
DWHT60457	3/8"	8"	Round	No	12-3/4"	0.49 lbs
DWHT60458	3/8"	8"	Round	Yes	12-3/4"	0.49 lbs

ASME B107.600-2008

5 PIECE SLOTTED SCREWDRIVER SET

PRODUCT #	CONTENTS	DESCRIPTION	CONTENTS	DESCRIPTION
DWHT60441	DWHT60450	Screwdriver Cabinet 1/8"	DWHT60454	Screwdriver Slotted 1/4" Bolster
	DWHT60451	Screwdriver Cabinet 3/16"	DWHT60456	Screwdriver Slotted 5/16"
			DWHT60458	Screwdriver Slotted 3/8" Bolster

PHILLIPS SCREWDRIVERS

PHILLIPS SCREWDRIVERS



PRODUCT #	TIP SIZE	SHANK LENGTH	SHANK TYPE	BOLSTER	OVERALL LENGTH	WEIGHT
DWHT60443	PH0	3"	Round	No	6-5/16"	0.07 lbs
DWHT60444	PH1	3"	Round	No	7-3/32"	0.14 lbs
DWHT60445	PH2	4"	Round	No	8-1/2"	0.21 lbs
DWHT60446	PH2	4"	Round	Yes	8-1/2"	0.22 lbs
DWHT60447	PH3	1-1/2" (stubby)	Round	No	3-29/32"	0.10 lbs
DWHT60448	PH3	6"	Round	No	10-3/4"	0.34 lbs
DWHT60449	PH3	6"	Round	Yes	10-3/4"	0.34 lbs

ASME B107.600-2008

5 PIECE PHILLIPS SCREWDRIVER SET

PRODUCT #	CONTENTS	DESCRIPTION	CONTENTS	DESCRIPTION
DWHT60440	DWHT60443	Screwdriver PH0	DWHT60446	Screwdriver PH2 Bolster
	DWHT60444	Screwdriver PH1	DWHT60447	Screwdriver PH2 Stubby
			DWHT60449	Screwdriver PH3 Bolster

CABINET SCREWDRIVERS

CABINET SCREWDRIVERS



PRODUCT #	TIP SIZE	SHANK LENGTH	SHANK TYPE	BOLSTER	OVERALL LENGTH	WEIGHT
DWHT60450	1/8"	4"	Round	No	7-5/16"	0.07620979 lbs
DWHT60451	3/16"	4"	Round	No	8-3/32"	0.15121936 lbs
DWHT60452	1/4"	4"	Round	No	8-1/2"	0.220653733 lbs

ASME B107.600-2008

TORX® SCREWDRIVERS

TORX® SCREWDRIVERS



PRODUCT #	TIP SIZE	SHANK LENGTH	SHANK TYPE	BOLSTER	OVERALL LENGTH	WEIGHT
DWHT60052	T8	3-1/4"	Round	No	7-11/32"	0.15 lbs
DWHT60053	T10	3-1/2"	Round	No	7-19/32"	0.15 lbs
DWHT60054	T15	3-1/2"	Round	No	7-19/32"	0.15 lbs
DWHT60055	T20	3-1/2"	Round	No	7-19/32"	0.15 lbs
DWHT60056	T25	3-1/2"	Round	No	7-19/32"	0.15 lbs
DWHT60057	T27	4"	Round	No	8-1/2"	0.22 lbs
DWHT60058	T30	4"	Round	No	8-1/2"	0.22 lbs
DWHT60059	T40	6"	Round	No	10-3/4"	0.34 lbs

Torx® is a trademark of Acument Intellectual Properties, LLC

ASME B107.600-2008

8 PIECE TORX® SCREWDRIVER SET

PRODUCT #	CONTENTS	DESCRIPTION	CONTENTS	DESCRIPTION
DWHT60051	DWHT60052	Screwdriver T8	DWHT60056	Screwdriver T25
	DWHT60053	Screwdriver T10	DWHT60057	Screwdriver T27
	DWHT60054	Screwdriver T15	DWHT60058	Screwdriver T30
	DWHT60055	Screwdriver T20	DWHT60059	Screwdriver T40

Torx® is a trademark of Acument Intellectual Properties, LLC

STUBBY SCREWDRIVERS

2 PIECE STUBBY SCREWDRIVER SET

PRODUCT #	CONTENTS	DESCRIPTION
DWHT60442	DWHT60447	Screwdriver PH2 Stubby
	DWHT60455	Screwdriver Slotted 1/4" Stubby



SQUARE TIP SCREWDRIVERS

SQUARE TIP SCREWDRIVERS



PRODUCT #	TIP SIZE	SHANK LENGTH	SHANK TYPE	BOLSTER	OVERALL LENGTH	WEIGHT
DWHT60066	#1	4"	Round	No	8-3/32"	0.15 lbs
DWHT60067	#2	5"	Round	No	9-3/32"	0.16 lbs
DWHT60068	#3	5"	Round	No	9-3/32"	0.16 lbs

3 PIECE SQUARE SCREWDRIVER SET

PRODUCT #	CONTENTS	DESCRIPTION
DWHT60065	DWHT60066	Screwdriver Square #1
	DWHT60067	Screwdriver Square #2
	DWHT60068	Screwdriver Square #3

COMBINATION SCREWDRIVER SETS

6 PIECE COMBINATION SCREWDRIVER SET

PRODUCT #	CONTENTS	DESCRIPTION	CONTENTS	DESCRIPTION
DWHT60117	DWHT60444	Screwdriver PH1	DWHT60451	Screwdriver Cabinet 3/16"
	DWHT60446	Screwdriver PH2 Bolster	DWHT60454	Screwdriver Slotted 1/4" Bolster
	DWHT60450	Screwdriver Cabinet 1/8"	DWHT60458	Screwdriver Slotted 3/8" Bolster

4 PIECE SMALL SCREWDRIVER SET

PRODUCT #	CONTENTS	DESCRIPTION	CONTENTS	DESCRIPTION
DWHT60438	DWHT60444	Screwdriver PH1	DWHT60451	Screwdriver Cabinet 3/16"
	DWHT60450	Screwdriver Cabinet 1/8"	DWHT60452	Screwdriver Cabinet 1/4"

4 PIECE LARGE SCREWDRIVER SET

PRODUCT #	CONTENTS	DESCRIPTION	CONTENTS	DESCRIPTION
DWHT60439	DWHT60446	Screwdriver PH2 Bolster	DWHT60454	Screwdriver Slotted 1/4" Bolster
	DWHT60451	Screwdriver Cabinet 3/16"	DWHT60458	Screwdriver Slotted 3/8" Bolster

MULTI-BIT SCREWDRIVER SET

- Lockable Stacking Case
- Exceeds ANSI Specifications
- Durable Transparent Lid
- Vinyl Grip Multi Grip Bit Driver

71 PIECE 1/4" MULTI-BIT SCREWDRIVER/NUT DRIVER SET



PRODUCT #	CONTENTS	DESCRIPTION
DWMT73808	--	4 mm Nut Driver Bit
	--	5 mm Nut Driver Bit
	--	5.5 mm Nut Driver Bit
	--	6 mm Nut Driver Bit
	--	7 mm Nut Driver Bit
	--	8 mm Nut Driver Bit
	--	9 mm Nut Driver Bit
	--	10 mm Nut Driver Bit
	--	11 mm Nut Driver Bit
	--	12 mm Nut Driver Bit
	--	5/32" Nut Driver Bit
	--	3/16" Nut Driver Bit
	--	7/32" Nut Driver Bit
	--	1/4" Nut Driver Bit
	--	9/32" Nut Driver Bit
	--	5/16" Nut Driver Bit
	--	11/32" Nut Driver Bit
	--	3/8" Nut Driver Bit
	--	7/16" Nut Driver Bit
	--	1/2" Nut Driver Bit
	--	T6 Torx® Bit
	--	T7 Torx® Bit
	--	T8 Torx® Bit
	--	T9 Torx® Bit
	--	T10 Torx® Bit
	--	T15 Torx® Bit
	--	T20 Torx® Bit
	--	T25 Torx® Bit
	--	T27 Torx® Bit
	--	T30 Torx® Bit
	--	Robertson #1 Bit
	--	Robertson #2 Bit
	--	Robertson #3 Bit
	--	Phillips #1 Bit
	--	Phillips #2 Bit
	--	Phillips #3 Bit

CONTENTS	DESCRIPTION
--	2.5 mm Hex Bit
--	3mm Hex Bit
--	4 mm Hex Bit
--	5 mm Hex Bit
--	5.5 mm Hex Bit
--	6 mm Hex Bit
--	7 mm Hex Bit
--	3/32" Hex Bit
--	1/8" Hex Bit
--	5/32" Hex Bit
--	3/16" Hex Bit
--	7/32" Hex Bit
--	1/4" Hex Bit
--	Pozi Drive #1 Bit
--	Pozi Drive #2 Bit
--	Pozi Drive #3 Bit
--	1/8" Flat Bit
--	5/32" Flat Bit
--	3/16" Flat Bit

CONTENTS	DESCRIPTION
--	7/32" Flat Bit
--	1/4" Flat Bit
--	3mm Flat Bit
--	4 mm Flat Bit
--	5 mm Flat Bit
--	5.5 mm Flat Bit
--	6 mm Flat Bit
--	6.5 mm Flat Bit
--	7 mm Flat Bit
--	T10 Tamperproof Torx® Bit
--	T15 Tamperproof Torx® Bit
--	T20 Tamperproof Torx® Bit
--	T25 Tamperproof Torx® Bit
--	T27 Tamperproof Torx® Bit
--	1/4" Drive Socket Adapter
--	Vinyl Grip Multi Driver

Torx® is a trademark of Acument Intellectual Properties, LLC



DEWALT

STORAGE

METAL STORAGE

40" 5 DRAWER TOP CHEST METAL STORAGE

- Thick gauge steel body for increased durability
- 10-3/8" Deep top lid provides enough space to stand up DEWALT® cordless power tools
- Auto return drawers keep drawers securely closed while maneuvering around work site
- Heavy Duty Casters



PRODUCT #	CAPACITY	DRAWER DEPTH	HEIGHT	WIDTH	DEPTH	WEIGHT CAPACITY	WEIGHT
DWMT74433	10,359 cu in.	15.25"	23.00"	40.00"	18"	500 lbs	124.00 lbs

40" 8 DRAWER ROLLER CABINET

- Thick gauge steel body for increased durability
- Auto return drawers keep drawers securely closed while maneuvering around work site
- Heavy Duty Casters



PRODUCT #	CAPACITY	DRAWER DEPTH	HEIGHT	WIDTH	DEPTH	WEIGHT CAPACITY	WEIGHT
DWMT74434	12,533 cu in.	15.25"	38.00"	40.00"	18"	1,000 lbs	189.00

STORAGE

TSTAK®

- Flexible platform allows different combinations
- Stackable - All units can stack on top of the other, connected with durable side latches
- Removable covered cups for organization of small parts and accessories

PRODUCT #	DESCRIPTION	LOAD CAPACITY	WEIGHT
DWST17805	TSTAK® Clear Lid Organizer	44.00 lbs	6.17 lbs
DWST17806	TSTAK® Deep Box	66.00 lbs	7.44 lbs
DWST17808	TSTAK® I Long Handle Box	66.00 lbs	5.57 lbs
DWST17807	TSTAK® II Flat Top Box	66.00 lbs	3.96 lbs
DWST17803	TSTAK® III Single Deep Drawer Unit	16.50 lbs	8.40 lbs
DWST17804	TSTAK® IV Double Shallow Drawer Unit	16.50 lbs	9.35 lbs
DWST17889	TSTAK® Cart	210.00 lbs	7.13 lbs
DWST17888	TSTAK® Trolley	Flat 220.00 lbs, Steps 110.00 lbs	16.50 lbs
DWST88801	TSTAK® Foam Insert	—	0.55 lbs

Removable blocks allow for easy customization to needed power tool/equipment
Works with: DWST17808, DWST17807, DWST17805



DWST17803



DWST17804



DWST17889



DWST88801



DWST17805



DWST17806



DWST17808



DWST17807



DWST17888

STORAGE

TOUGHSYSTEM[®]

- Durable thick structural foam box walls give robust structure for the stand alone units
- Integrated water seal in each unit helps protect contents (excludes DWST08225 & DWST08205)
- Metal carrier with adjustable foldable brackets allows tailored configuration
- Rust-resistant metal latches
- Modules can be connected to each other using side latches

PRODUCT #	DESCRIPTION	LOAD CAPACITY	WEIGHT
DWST08130	DS130 - Suitcase	100.00 lbs	7.88 lbs
DWST08201	DS150 - Small Case	110.00 lbs	9.70 lbs
DWST08225	DS250 - Drawer Unit	22.00 lbs (per drawer)	17.52 lbs
DWST08203	DS300 - Large Case	110.00 lbs	9.50 lbs
DWST08204	DS400 - XL Case	110.00 lbs	13.20 lbs
DWST08250	DS450 - Wheeled Box	88.00 lbs	20.90 lbs
DWST08210	DS Carrier	Flat 265.00 lbs, Steps 175.00 lbs	34.40 lbs
DWST08212	DS Carrier Bracket (2-Pack)	110.00 lbs	1.35 lbs
DWST08202	DS100 - Organizer	44.00 lbs	7.82 lbs
DWST08205	DS280 - Tote	44.00 lbs	5.96 lbs
DWST08260	Workshop Racking System	440.00 lbs	17.69 lbs
DWST08270	Workshop Racking System with Clear Lid Organizer	440 lbs (racking)/ 44 lbs (organizer)	
DWST08810	Music + Charger	—	18.90 lbs



DWST08130

DWST08205



DWST08810

DWST08250



DWST08201



DWST08225



DWST08203



DWST08204



DWST08202



DWST08260



DWST08210

STORAGE

MULTI-LEVEL ROLLING WORKSHOP

PRODUCT #	WEIGHT
DWST20880	25.52 lbs

- Single pull-up latch for quick and easy opening
- Reinforced telescopic, metal pull handle for easy maneuvering and comfortable hold
- Heavy-duty wheels for easy steering on job-site



15 GALLON CONTRACTOR CHEST

PRODUCT #	LOAD CAPACITY	WEIGHT
DWST33090	88 lbs	12.48 lbs

- One-touch latch for quick and easy opening
- Telescopic, metal pull handle for easy maneuvering
- Large, 7" wheels for easy steering on job-site



63 GALLON TOUGH CHEST™ MOBILE STORAGE

PRODUCT #	LOAD CAPACITY	WEIGHT
DWST38000	154 lbs	34 lbs

- Telescopic, metal pull handle for easy maneuvering
- Heavy-duty wheels for easy steering on job-site
- Water-seal ring to help protect tools from water damage
- Built-in support on lid for additional top loading



28" TOOL BOX ON WHEELS

PRODUCT #	LOAD CAPACITY	WEIGHT
DWST28100	80 lbs	10.70 lbs

- Structural foam body with an all-round water seal for water and dust resistance (IP54)
- Large top lid carry handle provides extra maneuverability
- Large storage compartment is ideal for carrying power tools, hand tools and medium-to-large items



DEEP PRO ORGANIZERS

PRODUCT #	NO. OF COMPARTMENTS	LENGTH	WIDTH	HEIGHT	WEIGHT
DWST14740	6	13-6/7"	10-3/14"	4-5/14"	2.66 lbs
DWST14825	10	17-1/2"	14"	4-1/2"	4.77 lbs
DWST14835	10	17-5/8"	6-5/8"	2-7/8"	1.45 lbs
DWST14830	20	17-5/8"	11"	2-7/8"	2.44 lbs

- Organizer with integrated carry handle for small parts organization
- Removable cups for inner customization of small tools and parts
- Removable dividers for DWST14835, DWST14830
- Rust-resistant metal latches for long life (only DWST14825)
- Heavy duty lid clear and impact resistant
- Units are stackable for storage and transport
- Integrated water seal (DWST14740, DWST14835, DWST14830)



DWST14740

DWST14825

STORAGE

TOTE WITH POWER TOOL CASE

- Heavy duty rust-resistant metal latches on top case
- Front push button for easy detaching/attaching of the 2 units
- Top case for power tools and small parts with an integrated handle
- Long metal carry handle for easy grip when carrying
- Heavy-duty design for durable structure



PRODUCT #	HANDLE LENGTH	LATCH	LOCKABLE	MATERIAL TYPE	WATER RESISTANT	LOAD CAPACITY	WHEELS	WEIGHT
DWST24070	24-1/5"	Metal	Yes	Resin	No	77 lbs	No	7.41 lbs

TOTE WITH REMOVABLE ORGANIZER

- Heavy-duty rust-resistant metal latches on top case
- Front push button for easy detaching/attaching of the 2 units
- Top case organizer for small parts with integrated handle
- Long metal carry handle for easy grip when carrying
- Heavy-duty design for durable structure



PRODUCT #	HANDLE LENGTH	LATCH	LOCKABLE	MATERIAL TYPE	WATER RESISTANT	LOAD CAPACITY	WHEELS	WEIGHT
DWST24075	24-1/5"	Metal	Yes	Resin	No	77 lbs	No	7.40 lbs

ONE TOUCH BOX

- One-handed latch operation allows opening when other hand is occupied
- Integrated water seal to help protect from water and dust
- Soft grip handle for easy grip and carrying
- Integrated V-groove on top lid



PRODUCT #	HANDLE LENGTH	LATCH	LOCKABLE	MATERIAL TYPE	WATER RESISTANT	LOAD CAPACITY	WHEELS	WEIGHT
DWST24082	7"	Metal	Yes	Resin	Yes	55 lbs	No	5.32 lbs

STRUCTURAL FOAM WATER SEAL TOOL BOX

- Large capacity designed for volume utility
- All round water seal to help protect contents
- Portable tote tray for storage of large tools and power tools
- Large metal rust-resistant latches with padlock eye
- Integrated V-groove on top lid



PRODUCT #	HANDLE LENGTH	LATCH	LOCKABLE	MATERIAL TYPE	WATER RESISTANT	LOAD CAPACITY	WHEELS	WEIGHT
DWST28001	7-1/10"	Metal	Yes	Resin	Yes	66 lbs	No	9.70 lbs

SAWHORSES

ADJUSTABLE LEG SAWHORSE

- Unique mechanism with easy slide movements adjusts legs separately for work on uneven surfaces
- High quality combination of metal and plastic for load capacity of up to 2500 lbs per pair
- Rubber inserts on legs and upper ruler for stability

PRODUCT #	HEIGHT	MATERIAL TYPE	WEIGHT CAPACITY	WEIGHT
DWST11031	32-3/4"	Metal / Plastic	2500 lbs per pair	10.64 lbs



METAL FOLDING SAWHORSE

- Clamping - top metal bars allow to clamp on the sawhorse using trigger clamps
- 2 x 4 recess for lumbers to create jobsite table (with 2 sawhorses)
- Foldable - quick, compact and ergonomic folding for portability and easy storage
- V-groove - to work with pipes and small wood pieces

PRODUCT #	HEIGHT	MATERIAL TYPE	WEIGHT CAPACITY	WEIGHT
DWST11155	32-1/8"	Metal / Plastic	2000 lbs per pair	12.43 lbs



NUMERICAL INDEX

PRODUCT #	PAGE #	PRODUCT #	PAGE #	PRODUCT #	PAGE #
DWHT60051	84	DWHT75906	78	DWMT17192	55
DWHT60052	84	DWHT75907	78	DWMT17193	55
DWHT60053	84	DWHT75908	78	DWMT17194	55
DWHT60054	84	DWHT75909	79	DWMT17195	55
DWHT60055	84	DWHT84720	81	DWMT17196	55
DWHT60056	84	DWHT84818	81	DWMT17197	55
DWHT60057	84	DWMT17130	5	DWMT17198	55
DWHT60058	84	DWMT17131	5	DWMT17207	55
DWHT60059	84	DWMT17132	6	DWMT17208	55
DWHT60065	85	DWMT17133	7	DWMT17209	55
DWHT60066	85	DWMT17134	7	DWMT17210	55
DWHT60067	85	DWMT17136	6	DWMT17211	56
DWHT60068	85	DWMT17137	7	DWMT17212	56
DWHT60117	85	DWMT17138	7	DWMT17213	56
DWHT60438	86	DWMT17139	60	DWMT17214	56
DWHT60439	86	DWMT17140	60	DWMT17215	56
DWHT60440	83	DWMT17141	60	DWMT17216	56
DWHT60441	83	DWMT17142	60	DWMT17217	56
DWHT60442	85	DWMT17143	60	DWMT17218	56
DWHT60443	83	DWMT17144	60	DWMT17219	56
DWHT60444	83	DWMT17145	60	DWMT17220	56
DWHT60445	83	DWMT17146	60	DWMT17221	56
DWHT60446	83	DWMT17147	60	DWMT17222	56
DWHT60447	83	DWMT17148	60	DWMT17223	56
DWHT60448	83	DWMT17149	60	DWMT17224	56
DWHT60449	83	DWMT17150	60	DWMT17225	56
DWHT60450	84	DWMT17151	60	DWMT17226	56
DWHT60451	84	DWMT17152	60	DWMT17227	56
DWHT60452	84	DWMT17153	60	DWMT17228	56
DWHT60453	83	DWMT17154	60	DWMT17229	56
DWHT60454	83	DWMT17156	60	DWMT17230	56
DWHT60455	83	DWMT17157	55	DWMT17231	56
DWHT60456	83	DWMT17158	58	DWMT17232	56
DWHT60457	83	DWMT17161	60	DWMT17233	55
DWHT60458	83	DWMT17162	60	DWMT17234	55
DWHT70272	80	DWMT17163	60	DWMT17235	55
DWHT70273	80	DWMT17164	60	DWMT17236	55
DWHT70275	80	DWMT17165	60	DWMT17237	55
DWHT70276	80	DWMT17166	57	DWMT17238	55
DWHT70277	80	DWMT17167	57	DWMT17239	55
DWHT70793	80	DWMT17169	57	DWMT17240	48
DWHT70794	80	DWMT17170	57	DWMT17241	48
DWHT70795	80	DWMT17171	57	DWMT17242	48
DWHT70796	80	DWMT17172	57	DWMT17243	48
DWHT70797	80	DWMT17173	57	DWMT17244	48
DWHT70798	80	DWMT17174	57	DWMT17245	48
DWHT70799	81	DWMT17175	57	DWMT17246	48
DWHT70800	81	DWMT17176	57	DWMT17247	48
DWHT70802	81	DWMT17177	57	DWMT17248	48
DWHT70803	81	DWMT17178	57	DWMT17249	48
DWHT70815	80	DWMT17179	57	DWMT17311	48
DWHT71011	80	DWMT17180	57	DWMT17312	48
DWHT71924	81	DWMT17181	57	DWMT17313	48
DWHT71925	81	DWMT17182	18	DWMT17314	48
DWHT75841	79	DWMT17183	18	DWMT17315	48
DWHT75842	79	DWMT17184	18	DWMT17316	48
DWHT75901	78	DWMT17185	56	DWMT17317	48
DWHT75902	78	DWMT17186	55	DWMT17318	48
DWHT75903	78	DWMT17187	55	DWMT17319	48
DWHT75904	78	DWMT17190	55	DWMT17320	48
DWHT75905	78	DWMT17191	55	DWMT17321	48

PRODUCT #	PAGE #
DWMT17322	48
DWMT17323	48
DWMT17324	48
DWMT17325	47
DWMT17326	47
DWMT17327	47
DWMT17328	47
DWMT17329	47
DWMT17330	73
DWMT17331	73
DWMT17332	73
DWMT17333	73
DWMT17334	73
DWMT17335	73
DWMT17340	47
DWMT17341	47
DWMT17342	47
DWMT17343	47
DWMT17344	47
DWMT17345	47
DWMT17346	47
DWMT17347	47
DWMT17348	47
DWMT17349	47
DWMT19000	47
DWMT19002	47
DWMT19003	47
DWMT19004	47
DWMT19006	47
DWMT19007	47
DWMT19008	47
DWMT19009	47
DWMT19010	47
DWMT19011	58
DWMT19012	58
DWMT19013	58
DWMT19015	58
DWMT19016	58
DWMT19017	58
DWMT19018	58
DWMT19019	58
DWMT19021	58
DWMT19022	58
DWMT19023	58
DWMT19024	58
DWMT19025	58
DWMT19026	58
DWMT19027	58
DWMT19030	58
DWMT19031	58
DWMT19032	58
DWMT19033	58
DWMT19034	58
DWMT19036	58
DWMT19037	58
DWMT19038	59
DWMT19039	59
DWMT19040	59
DWMT19041	59
DWMT19042	59
DWMT19043	59
DWMT19044	59
DWMT19045	59

PRODUCT #	PAGE #
DWMT19046	59
DWMT19047	59
DWMT19048	59
DWMT19049	50
DWMT19050	50
DWMT19051	51
DWMT19052	50
DWMT19053	50
DWMT19054	50
DWMT19055	50
DWMT19056	50
DWMT19162	50
DWMT19163	50
DWMT19164	50
DWMT19165	50
DWMT19166	50
DWMT19167	50
DWMT19168	51
DWMT19169	51
DWMT19170	51
DWMT19171	51
DWMT19172	51
DWMT19173	51
DWMT19174	51
DWMT19175	51
DWMT19176	51
DWMT19177	51
DWMT19178	51
DWMT19179	51
DWMT19181	51
DWMT19182	51
DWMT19183	51
DWMT19184	51
DWMT19185	51
DWMT19186	51
DWMT19187	51
DWMT19195	51
DWMT19196	51
DWMT19197	50
DWMT19198	50
DWMT19199	72
DWMT19200	60
DWMT19201	58
DWMT19202	55
DWMT19203	55
DWMT19204	7
DWMT19205	6
DWMT19206	5
DWMT19207	35
DWMT19208	50
DWMT19209	50
DWMT19211	50
DWMT19213	51
DWMT19214	51
DWMT19215	51
DWMT19216	51
DWMT19217	51
DWMT19218	51
DWMT19219	51
DWMT19220	51
DWMT19221	51
DWMT19222	51
DWMT19223	50

PRODUCT #	PAGE #
DWMT19224	51
DWMT19225	51
DWMT19226	49
DWMT19227	68
DWMT19228	49
DWMT19229	66
DWMT19230	65
DWMT19231	66
DWMT19232	64
DWMT19233	54
DWMT19234	67
DWMT19237	67
DWMT19238	15
DWMT19239	54
DWMT19240	53
DWMT19241	39
DWMT19242	53
DWMT19243	53
DWMT19244	52
DWMT19245	28
DWMT19247	28
DWMT19248	49
DWMT19249	52
DWMT19250	27
DWMT19251	46
DWMT19252	27
DWMT19253	69
DWMT19254	69
DWMT19255	70
DWMT19256	69
DWMT19257	13, 25
DWMT19259	15
DWMT19260	54
DWMT19261	66
DWMT19262	66
DWMT19263	70
DWMT19265	68
DWMT19266	43
DWMT19267	43
DWMT19268	43
DWMT19269	43
DWMT19270	43
DWMT19271	43
DWMT19272	43
DWMT19273	43
DWMT19274	42
DWMT19276	42
DWMT19277	42
DWMT19278	42
DWMT19279	42
DWMT19280	41
DWMT19281	41
DWMT19282	41
DWMT19283	41
DWMT19284	41
DWMT19285	41
DWMT19286	41
DWMT19287	40
DWMT19288	40
DWMT19289	40
DWMT19290	40
DWMT19291	40
DWMT19292	40

PRODUCT #	PAGE #	PRODUCT #	PAGE #	PRODUCT #	PAGE #
DWMT19293	40	DWMT72202	74	DWMT73951	56
DWMT19294	40	DWMT72211	75	DWMT73952	56
DWMT19295	40	DWMT72212	75	DWMT74138	59
DWMT19296	40	DWMT72213	75	DWMT74139	33
DWMT19297	40	DWMT72214	75	DWMT74140	33
DWMT19298	17	DWMT72215	75	DWMT74141	33
DWMT19299	17	DWMT72216	75	DWMT74142	33
DWMT19301	33	DWMT72217	75	DWMT74143	33
DWMT19302	33	DWMT72218	75	DWMT74145	33
DWMT19303	34	DWMT72219	75	DWMT74146	33
DWMT19304	34	DWMT72220	75	DWMT74147	33
DWMT19305	34	DWMT72224	75	DWMT74148	33
DWMT19554	34	DWMT72288	72	DWMT74186	33
DWMT19559	34	DWMT72289	72	DWMT74187	32
DWMT19560	32	DWMT72291	72	DWMT74188	34
DWMT19561	32	DWMT72292	72	DWMT74189	34
DWMT19562	33	DWMT72293	72	DWMT74190	33
DWMT19563	33	DWMT72294	72	DWMT74191	33
DWMT19564	33	DWMT72295	72	DWMT74424	41
DWMT19565	33	DWMT72296	72	DWMT74433	88
DWMT19566	33	DWMT72297	72	DWMT74434	88
DWMT19567	32	DWMT72298	72	DWMT74444	74
DWMT19568	32	DWMT72299	72	DWMT74445	74
DWMT19569	32	DWMT72300	72	DWMT74446	74
DWMT19570	32	DWMT72301	72	DWMT74447	74
DWMT19571	31	DWMT72302	72	DWMT74478	50
DWMT19572	31	DWMT72303	72	DWMT74479	50
DWMT19573	31	DWMT72304	72	DWMT74481	50
DWMT19575	31	DWMT72305	72	DWMT74482	50
DWMT19576	31	DWMT72306	72	DWMT74483	50
DWMT19582	71	DWMT72307	72	DWMT74484	50
DWMT19583	71	DWMT73801	12, 24	DWMT74486	50
DWMT19584	71	DWMT73802	11, 23	DWMT74487	50
DWMT19585	71	DWMT73803	10, 22, 38	DWMT74488	50
DWMT19586	71	DWMT73804	14, 26	DWMT74489	50
DWMT19587	73	DWMT73805	16	DWMT74491	50
DWMT19588	73	DWMT73806	29	DWMT74492	50
DWMT19589	73	DWMT73807	14, 26	DWMT74493	50
DWMT19590	73	DWMT73808	86	DWMT74494	50
DWMT19591	73	DWMT73809	68	DWMT74495	50
DWMT19592	73	DWMT73810	68	DWMT74496	50
DWMT19593	73	DWMT73811	16	DWMT74497	50
DWMT19594	73	DWMT73812	28	DWMT74498	50
DWMT19595	73	DWMT73813	39	DWMT74502	34
DWMT19596	73	DWMT73814	39	DWMT74503	34
DWMT19597	73	DWMT73815	39	DWMT74504	34
DWMT19598	73	DWMT73932	56	DWMT74505	34
DWMT19599	73	DWMT73933	56	DWMT74506	34
DWMT19601	73	DWMT73934	56	DWMT74507	34
DWMT19602	73	DWMT73935	56	DWMT74508	34
DWMT70840	31	DWMT73936	56	DWMT74509	34
DWMT72189	74	DWMT73937	56	DWMT74510	34
DWMT72191	74	DWMT73938	56	DWMT74511	34
DWMT72192	74	DWMT73940	56	DWMT74512	32
DWMT72193	74	DWMT73941	56	DWMT74513	33
DWMT72194	74	DWMT73942	56	DWMT74514	32
DWMT72195	74	DWMT73943	56	DWMT74515	33
DWMT72196	74	DWMT73944	56	DWMT74516	33
DWMT72197	74	DWMT73945	56	DWMT74517	32
DWMT72198	74	DWMT73947	56	DWMT74518	33
DWMT72199	74	DWMT73948	56	DWMT74519	33
DWMT72200	74	DWMT73949	56	DWMT74520	33
DWMT72201	74	DWMT73950	56	DWMT74521	33

PRODUCT #	PAGE #
DWMT74522	33
DWMT74523	33
DWMT74524	33
DWMT74526	32
DWMT74527	32
DWMT74528	32
DWMT74529	32
DWMT74530	32
DWMT74531	32
DWMT74532	32
DWMT74534	31
DWMT74535	43
DWMT74536	43
DWMT74537	43
DWMT74538	43
DWMT74539	43
DWMT74540	43
DWMT74541	43
DWMT74542	43
DWMT74543	43
DWMT74544	43
DWMT74545	43
DWMT74546	43
DWMT74547	43
DWMT74548	43
DWMT74549	43
DWMT74550	43
DWMT74551	43
DWMT74552	43
DWMT74553	43
DWMT74554	43
DWMT74555	43
DWMT74556	43
DWMT74557	43
DWMT74558	43
DWMT74559	42
DWMT74560	42
DWMT74561	42
DWMT74562	42
DWMT74563	42
DWMT74564	42
DWMT74567	42
DWMT74568	42
DWMT74569	42
DWMT74570	42
DWMT74571	42
DWMT74572	42
DWMT74573	42
DWMT74574	42
DWMT74575	42
DWMT74576	42
DWMT74577	42
DWMT74578	42
DWMT74579	42
DWMT74580	42
DWMT74581	42
DWMT74582	42
DWMT74583	42
DWMT74584	42
DWMT74585	42
DWMT74586	42
DWMT74587	42
DWMT74588	42

PRODUCT #	PAGE #
DWMT74589	42
DWMT74590	42
DWMT74591	42
DWMT74592	42
DWMT74593	42
DWMT74594	44
DWMT74595	44
DWMT74596	44
DWMT74597	44
DWMT74598	44
DWMT74600	44
DWMT74601	44
DWMT74602	44
DWMT74603	44
DWMT74604	44
DWMT74605	44
DWMT74606	44
DWMT74607	44
DWMT74608	44
DWMT74611	44
DWMT74614	76
DWMT74618	35
DWMT74619	35
DWMT74622	35
DWMT74623	34
DWMT74624	34
DWMT74634	34
DWMT74635	34
DWMT74641	44
DWMT74654	55
DWMT74655	55
DWMT74656	56
DWMT74658	56
DWMT74659	56
DWMT74660	55
DWMT74661	55
DWMT74733	65
DWMT74734	65
DWMT75049	9, 20, 36
DWMT75102	55
DWMT75103	55
DWMT75104	55
DWMT75105	55
DWMT75106	35
DWMT75106	55
DWMT75108	55
DWMT75109	55
DWMT75110	55
DWMT75111	55
DWMT75112	55
DWMT75113	55
DWMT75114	55
DWMT75117	56
DWMT75118	55
DWMT75119	55
DWMT75120	55
DWMT75121	55
DWMT75122	55
DWMT75125	55
DWMT75126	56
DWMT75128	56
DWMT75129	59
DWMT75130	59

PRODUCT #	PAGE #
DWMT75131	59
DWMT75132	59
DWMT75133	59
DWMT75134	59
DWMT75135	59
DWMT75136	59
DWMT75137	59
DWMT75139	59
DWMT75140	59
DWMT75141	59
DWMT75142	59
DWMT75143	59
DWMT75144	59
DWMT75145	59
DWMT75146	59
DWMT75147	59
DWMT75148	59
DWMT75149	59
DWMT75150	59
DWMT75151	59
DWMT75152	59
DWMT75153	59
DWMT75154	58
DWMT75155	58
DWMT75156	58
DWMT75157	58
DWMT75158	58
DWMT75159	58
DWMT75160	58
DWMT75161	58
DWMT75162	58
DWMT75163	58
DWMT75164	58
DWMT75165	58
DWMT75166	58
DWMT75167	58
DWMT75168	58
DWMT75169	58
DWMT75170	58
DWMT75171	58
DWMT75172	58
DWMT75173	58
DWMT75174	58
DWMT75175	58
DWMT75176	58
DWMT75177	58
DWMT75178	58
DWMT75184	74
DWMT75185	74
DWMT75187	74
DWMT75188	74
DWMT75192	75
DWMT75193	75
DWMT75194	75
DWMT75197	75
DWMT75198	75
DWMT75199	75
DWMT75200	71
DWMT75201	71
DWMT75202	71
DWMT75203	71
DWMT75204	71
DWMT75205	71

PRODUCT #	PAGE #	PRODUCT #	PAGE #	PRODUCT #	PAGE #
DWMT75206	71	DWMT75369	60	DWMT75725	74
DWMT75207	71	DWMT75371	60	DWMT75726	74
DWMT75208	71	DWMT75372	60	DWMT75727	74
DWMT75209	71	DWMT75373	60	DWMT75728	74
DWMT75210	71	DWMT75374	60	DWMT75729	74
DWMT75211	71	DWMT75421	29	DWMT75731	74
DWMT75212	71	DWMT75422	30	DWMT75732	74
DWMT75213	71	DWMT75423	14, 26	DWMT75733	74
DWMT75214	76	DWMT75424	29	DWMT75734	74
DWMT75215	76	DWMT75425	29	DWMT75735	74
DWMT75216	76	DWMT75426	30	DWMT75736	74
DWMT75217	76	DWMT75427	75	DWMT75737	74
DWMT75218	76	DWMT75428	75	DWMT75738	74
DWMT75219	76	DWMT75431	76	DWMT75739	74
DWMT75220	75	DWMT75432	76	DWMT75741	74
DWMT75221	75	DWMT75433	76	DWMT75951	76
DWMT75222	75	DWMT75434	76	DWMT75952	76
DWMT75223	72	DWMT75435	76	DWMT75953	76
DWMT75228	72	DWMT75436	76	DWMT75954	76
DWMT75231	72	DWMT75439	44	DWMT75955	76
DWMT75232	72	DWMT75441	7	DWMT75956	76
DWMT75235	72	DWMT75442	7	DWMT75957	73
DWMT75238	72	DWMT75443	7	DWMT75958	73
DWMT75243	72	DWMT75444	7	DWMT75959	73
DWMT75244	72	DWMT75445	7	DWMT75960	73
DWMT75245	72	DWMT75446	35	DWMT75961	73
DWMT75246	72	DWMT75447	35	DWMT75962	73
DWMT75247	72	DWMT75448	35	DWMT75963	73
DWMT75250	72	DWMT75449	35	DWMT75964	73
DWMT75255	72	DWMT75451	35	DWMT75965	73
DWMT75256	72	DWMT75452	35	DWMT75966	73
DWMT75257	72	DWMT75453	34	DWMT75967	73
DWMT75260	6	DWMT75456	35	DWMT75968	73
DWMT75261	6	DWMT75457	34	DWMT79119	75
DWMT75262	7	DWMT75458	34	DWMT80016	31
DWMT75271	5	DWMT75459	34	DWMT85860	18
DWMT75272	6	DWMT75461	34	DWMT85861	17
DWMT75276	6	DWMT75462	62	DWMT86002	6
DWMT75277	7	DWMT75463	62	DWMT86006	6
DWMT75278	5	DWMT75498	76	DWMT86007	6
DWMT75280	7	DWMT75499	76	DWMT86011	6
DWMT75282	6	DWMT75635	71	DWMT86021	17
DWMT75284	6	DWMT75640	71	DWMT86022	17
DWMT75286	6	DWMT75641	71	DWMT86023	17
DWMT75287	6	DWMT75642	71	DWMT86024	17
DWMT75288	6	DWMT75643	71	DWMT86025	17
DWMT75290	5	DWMT75644	71	DWMT86026	17
DWMT75291	7	DWMT75646	72	DWMT86027	17
DWMT75292	6	DWMT75648	72	DWMT86028	17
DWMT75293	6	DWMT75649	73	DWMT86029	17
DWMT75295	60	DWMT75703	74	DWMT86030	17
DWMT75296	6	DWMT75706	74	DWMT86043	18
DWMT75297	6	DWMT75707	74	DWMT86044	18
DWMT75299	6	DWMT75708	75	DWMT86045	18
DWMT75301	7	DWMT75709	75	DWMT86046	18
DWMT75307	5	DWMT75713	75	DWMT86047	18
DWMT75310	6	DWMT75714	75	DWMT86048	18
DWMT75311	6	DWMT75715	75	DWMT86049	18
DWMT75313	7	DWMT75716	75	DWMT86094	18
DWMT75365	60	DWMT75717	75	DWMT86095	18
DWMT75366	60	DWMT75718	75	DWMT86096	18
DWMT75367	60	DWMT75723	74	DWMT86097	18
DWMT75368	60	DWMT75724	74	DWMT86098	18

PRODUCT #	PAGE #
DWMT86099	18
DWMT86100	18
DWMT86101	17
DWMT86102	17
DWMT86103	17
DWMT86104	17
DWMT86105	17
DWMT86106	17
DWMT86107	17
DWMT86108	17
DWMT86109	17
DWMT86112	17
DWMT86114	17
DWMT86116	18
DWMT86206	6
DWMT86207	6
DWMT86208	6
DWMT86211	6
DWMT86255	31
DWMT86256	31
DWMT86289	18
DWMT86303	31
DWMT86304	31
DWMT86305	31
DWMT86306	31
DWMT86307	31
DWMT86308	31
DWMT86309	31
DWMT86310	31
DWMT86311	31
DWMT86312	31
DWMT86313	31
DWMT86314	31
DWMT86315	31
DWMT86316	31
DWMT86322	32
DWMT86323	32
DWMT86324	32
DWMT86325	32
DWMT86326	32
DWMT86327	32
DWMT86328	32
DWMT86343	33
DWMT86344	33
DWMT86355	33
DWMT86380	32
DWMT86381	32
DWMT86388	34
DWMT86389	34
DWMT86391	34
DWMT86392	34
DWMT86406	6
DWMT86407	6
DWMT86408	6
DWMT86411	6
DWMT86414	6
DWMT86428	43
DWMT86443	40
DWMT86444	40
DWMT86445	40
DWMT86448	40
DWMT86449	40
DWMT86451	40

PRODUCT #	PAGE #
DWMT86452	40
DWMT86453	40
DWMT86455	40
DWMT86456	40
DWMT86457	40
DWMT86459	40
DWMT86473	42
DWMT86474	42
DWMT86512	40
DWMT86513	40
DWMT86514	40
DWMT86515	40
DWMT86517	40
DWMT86518	40
DWMT86519	40
DWMT86520	40
DWMT86521	40
DWMT86522	40
DWMT86523	40
DWMT86524	40
DWMT87141	35
DWMT87142	35
DWMT87143	35
DWMT87144	35
DWMT87145	35
DWMT87146	35
DWMT87404	35
DWMT87406	35
DWMT87407	35
DWMT87971	35
DWMT87972	35
DWMT87973	35
DWMT87974	35
DWMT87975	35
DWMT88738	40
DWMT88766	40
DWMT88825	32
DWMT88934	18
DWMT88935	18
DWMT88936	18
DWMT88945	41
DWMT88946	41
DWMT88947	41
DWMT88948	41
DWMT88949	41
DWMT88950	41
DWMT88951	41
DWMT88952	41
DWMT88953	41
DWMT88954	41
DWMT88955	41
DWMT88964	18
DWMT88971	31
DWMT88976	31
DWMT88977	31
DWMT88978	31
DWMT88979	31
DWMT88980	31
DWMT88981	31
DWMT88982	31
DWMT88983	31
DWMT88984	31
DWMT88985	31

PRODUCT #	PAGE #
DWMT88986	31
DWMT88987	31
DWMT88988	31
DWMT88989	31
DWMT88990	31
DWMT88991	31
DWMT88992	31
DWMT89532	41
DWMT89548	35
DWMT89820	18
DWMT90168	41
DWMT93528	41
DWMT93529	41
DWMT93530	41
DWMT93531	41
DWMT93532	41
DWMT93533	41
DWMT93534	41
DWMT93535	41
DWMT93536	41
DWMT94955	32
DWMT94961	32
DWMT96361	32
DWMT96362	32
DWMT96369	41
DWMT96370	41
DWST08130	89
DWST08201	89
DWST08202	89
DWST08203	89
DWST08204	89
DWST08205	89
DWST08210	89
DWST08212	89
DWST08225	89
DWST08250	89
DWST08260	89
DWST08270	89
DWST08810	89
DWST11031	92
DWST11155	92
DWST14740	90
DWST14825	90
DWST14830	90
DWST14835	90
DWST17803	88
DWST17804	88
DWST17805	88
DWST17806	88
DWST17807	88
DWST17808	88
DWST17888	88
DWST17889	88
DWST20880	90
DWST24070	91
DWST24075	91
DWST24082	91
DWST28001	91
DWST28100	90
DWST33090	90
DWST38000	90
DWST88801	88

WARRANTY



Covers: Ratchets, Sockets, Impact Sockets, Mechanics Tool Sets and Wrenches

DEWALT Mechanics Tools are covered by the manufacturer's FULL LIFETIME WARRANTY. If any DEWALT Mechanics Tool ever fails for any reason, DEWALT will replace it. NO PROOF OF PURCHASE required.

DO NOT RETURN PRODUCT TO STORE. Please call 1-800-4DEWALT (1-800-433-9258) (M-F, 8-5 EST) and DEWALT will ship a replacement. Tools covered include: wrenches, sockets, ratchets and drive accessories.

THIS FULL LIFETIME WARRANTY EXCLUDES ALL INCIDENTAL OR CONSEQUENTIAL DAMAGES. Some states do not allow the exclusion or limitation of incidental or consequential damages, so these limitations may not apply to you. This FULL LIFETIME WARRANTY gives you specific legal rights that may vary from state to state.



Covers: Soft Storage, Hand Tools, Locking Pliers & Screwdrivers

If a product fails to perform due to defects in material or workmanship, we will replace it. Proof of purchase is required. Warranty is not transferable. See dewalt.com for details.



Covers: Torque Wrenches

If a product fails to perform for any reason during the first 90 days from date of purchase, we will replace it. Call 1-800-4DEWALT for replacement or see dewalt.com for details. No proof of purchase required.



Covers: Metal Storage

Three-Year Limited Warranty. DEWALT will repair, without charge, any defects due to faulty materials or workmanship for three years from the date of purchase. This warranty does not cover part failure due to normal wear or tool abuse. For further detail of warranty coverage and warranty repair information, visit www.dewalt.com or call 1-800-4-DEWALT (1-800-433-9258). This warranty does not apply to accessories

or damage caused where repairs have been made or attempted by others. This warranty gives you specific legal rights and you may have other rights which vary in certain states or provinces.

In addition to the warranty, DEWALT tools are covered by our:

One-Year Free Service Contract. DEWALT will maintain the tool and replace worn parts caused by normal use, for free, any time during the first year after purchase.

DEWALT[®]
GUARANTEED TOUGH.[®]

1-800-4-DEWALT
dewalt.com