

NEW

BESSEY® Auto-Adjust Toggle clamp



Simply better.

Auto-Adjust Toggle Clamp for rapid clamping

This truly versatile clamp is ideal for short runs, quick set-ups, consolidating part numbers and improving processes.

1 Auto-Adjust

The BESSEY Auto-Adjust Toggle Clamp automatically adjusts to variations in work piece dimensions while maintaining constant clamping force. No more time-consuming manual adjustment of the spindle height to maintain safe and correct clamping force. The removable non-marring plastic cap is included on the 7/8" diameter pads.

2 Adjustable Clamping Force

The integrated clamping force adjustment screw can be used to create an actually applied clamping force from 25 to 550 lbs. (max holding capacity 700 lbs.) One BESSEY® Auto-Adjust Toggle Clamp can replace a range of competitive clamps.

3 Adaptable Base Plate

The large (2 1/4" by 2 1/2") flanged base is designed for use with 1/4" or M6 fasteners. Mounting holes are sized & spaced for easy mounting and versatility.

4 Extra large handle

The large 1" x 2 1/8" handle offers greater user comfort and ease of operation.



NEW Horizontal toggle clamps

| BESSEY® Product # | Opening Inches | Clamping Force Range Pounds | Holding Capacity Pounds | Approx. Weight Pounds | Case qty. |
|-------------------|-------------------|--------------------------------|----------------------------|--------------------------|--------------|
| STC-HH50 | 2 | 25-550 * | 700 | 0.77 | 6 |
| STC-HH70 | 2 3/4 | 25-550 * | 700 | 0.86 | 6 |

* Variable and dependent on spindle settings, pressure screw setting, force applied etc.

Product may not be exactly as shown in the pictures above. BESSEY reserves the right to make product changes at their discretion as our on-going goal is to continuously improve product performance.

NEW Inline toggle clamp

| BESSEY® Product # | Opening Inches | Clamping Force Range Pounds | Holding Capacity Pounds | Approx. Weight Pounds | Case qty. |
|-------------------|-------------------|--------------------------------|----------------------------|--------------------------|--------------|
| STC-IHH25 | 1 | 25-550 * | 700 | 0.86 | 6 |

* Variable and dependent on spindle settings, pressure screw setting, force applied etc.

Toggle Clamp Video



E-Newsletter Sign up



Rev March 8-2012



NEW

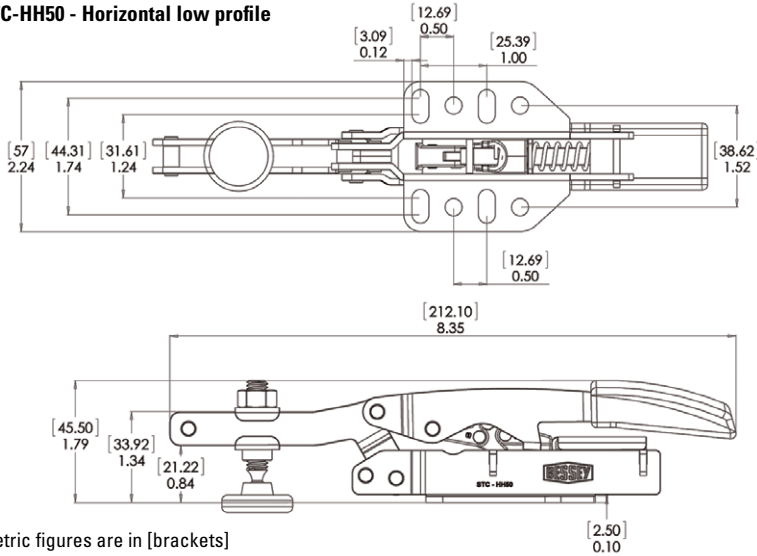
BESSEY® Auto-Adjust Toggle clamp



Auto-Adjust Toggle Clamp for rapid clamping

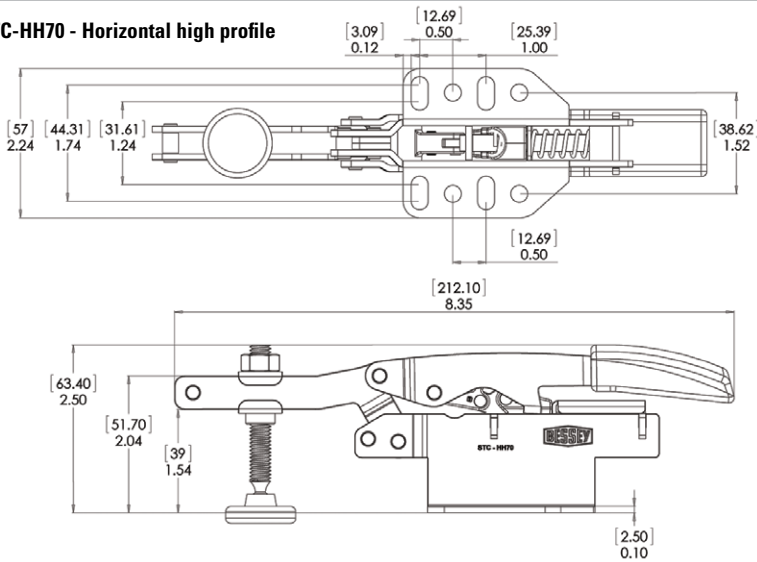
Simply better.

STC-HH50 - Horizontal low profile

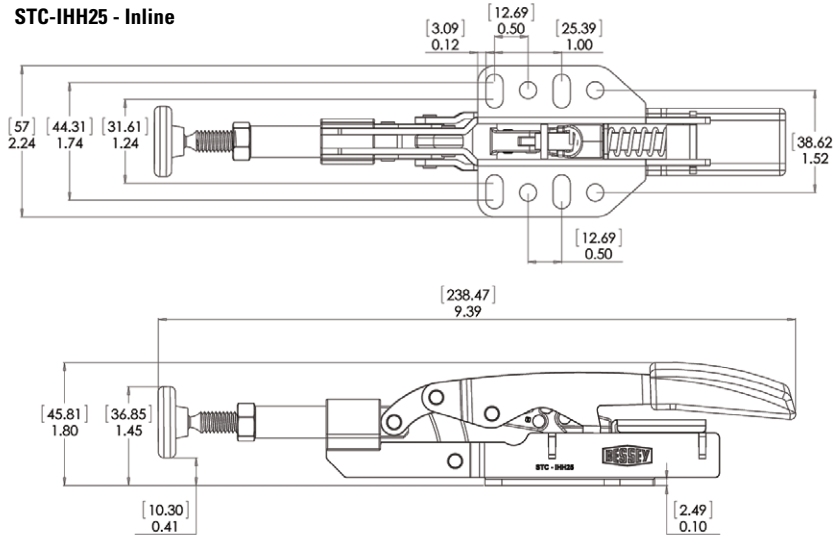


Metric figures are in [brackets]

STC-HH70 - Horizontal high profile



STC-IHH25 - Inline



- In the clamped position the handle is horizontal
- Turn the pressure screw counter-clockwise to increase pressure and, clockwise to decrease
- Easy access mounting holes are optimized for 1/4" fasteners (M6)



- Replace a range of competitive clamps with each BESSEY® model
- Spindle thread is M8
- Nut size is .540" (14mm)
- Pad diameter is 7/8"



- High quality construction
- Plunger thread is M8
- Plunger diameter is .465"
- Snap off plastic cap is standard on all models