



The Ultimate in Fall Protection

Fasten-In-Place Bases
Model Numbers: See Figure 1

USER INSTRUCTION MANUAL CAPITAL SAFETY

This manual is intended to meet industry standards, including ANSI Z359.1, as well as local, state and federal (OSHA1910.66, 1926.502, and CSA in Canada), and should be used as part of an employee training program as required by OSHA.

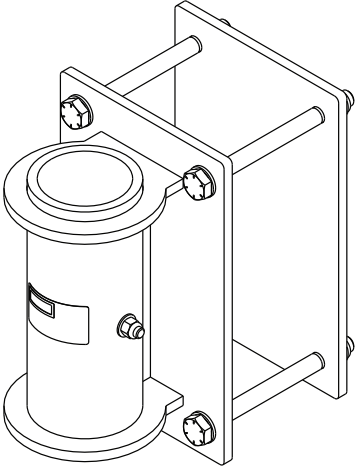
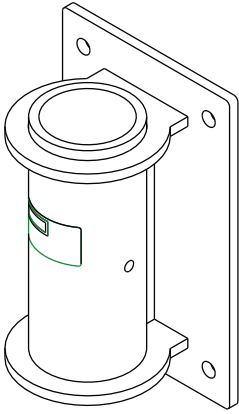
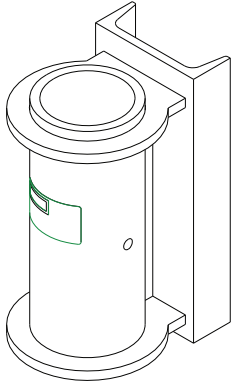
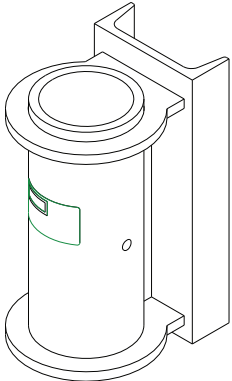
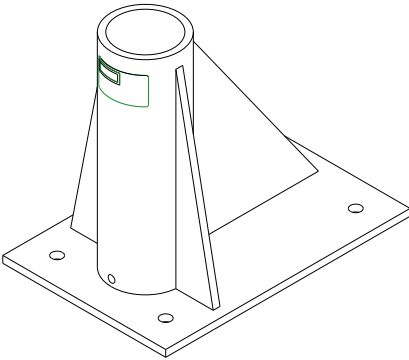
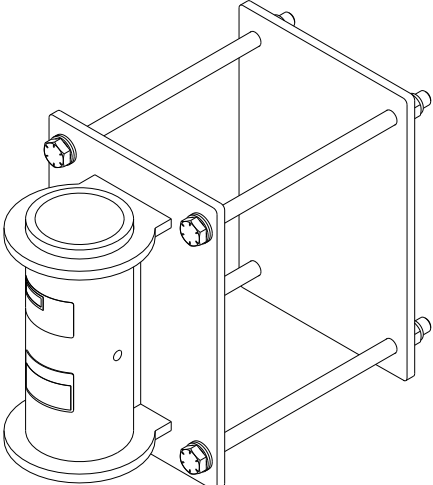
WARNING: *This product is to be used as part of a complete system. These instructions must be provided to the user of this equipment. The user must read and understand these instructions before using this equipment. The user must follow the manufacturer's instructions for each component of the complete system. Manufacturer's instructions must be followed for proper use and maintenance of this product. Alterations or misuse of this product, or failure to follow instructions may result in serious injury or death.*

IMPORTANT: *If you have questions on the use, care, or suitability of this equipment for your application, contact Capital Safety.*

IMPORTANT: *Before using this equipment record the product identification information from the ID label in the Inspection and Maintenance Log of this manual.*

IMPORTANT: *Before installing this equipment make sure a qualified person verifies the structural integrity of the structure being mounted to. (See Applications, Specifications, Installation details in this document for installation instructions, mounting requirements and rated capacities of each Fasten-In-Place base model.)*

Figure 1 - Models

<p>7400211</p> 	<p>7400218</p> 	<p>7400222</p> 
<p>7400225</p> 	<p>8530267</p> 	<p>8530373</p> 

1.0 APPLICATION

1.1 PURPOSE: For use with Securaspán™ Pour-In-Place Horizontal Lifeline Systems, including 7400203. Refer to Applications, Specifications and Installation details in this document for the applications of each Fasten-In-Place base in this instruction.

1.2 LIMITATIONS:

- A. PERSONAL FALL ARREST SYSTEM:** PFAS's used with this system must meet applicable OSHA, state, federal, and ANSI requirements. PFAS's incorporating a full body harness must be capable of arresting a worker's fall with a maximum arresting force appropriate for the set up of this system.
- B. ENVIRONMENTAL HAZARDS:** Use of this equipment in areas where environmental hazards exist may require additional precautions be taken to reduce the possibility of injury to the user or damage to the equipment. Hazards may include, but are not limited to: heat (welding, cutting), extreme cold, caustic chemicals, corrosive environments, high voltage power lines, explosive or toxic gases, moving machinery, or sharp edges. Contact Capital Safety if you have questions about using this equipment where environmental hazards exist. This system cannot be used where the davit mast cannot be perpendicular to the work surface.
- C. TRAINING:** This equipment must be installed and used by persons who have been properly trained in its correct application and use. Installation and use of this equipment must be supervised by a qualified person¹, as defined by OSHA fall protection standards.

1.3 APPLICABLE STANDARDS: Refer to local standards, national standards, and OSHA requirements for more information on the application of this and associated equipment.

2.0 SYSTEM LIMITATIONS & REQUIREMENTS

Always consider the following limitations/requirements when installing or using this equipment:

- 2.1 COMPATIBILITY OF COMPONENTS:** Capital Safety equipment is designed for use with Capital Safety approved components and subsystems only. Substitutions or replacements made with non-approved components or subsystems may jeopardize compatibility of equipment and may effect the safety and reliability of the complete system.
- 2.2 COMPATIBILITY OF CONNECTORS:** Connectors are considered to be compatible with connecting elements when they have been designed to work together in such a way that their sizes and shapes do not cause their gate mechanisms to inadvertently open regardless of how they become oriented. Contact Capital Safety if you have any questions about compatibility.

Connectors (hooks, carabiners, and D-rings) must be capable of supporting at least 5,000 lbs. (22.2kN). Connectors must be compatible with the anchorage or other system components. Do not use equipment that is not compatible. Non-compatible connectors may unintentionally disengage (see Figure 2). Connectors must be compatible in size, shape, and strength. Self-locking snap hooks and carabiners are required by ANSI Z359.1, OSHA and CSA Z259.12 in Canada.

2.3 MAKING CONNECTIONS: Use only self-locking snap hooks and carabiners with this equipment. Only use connectors that are suitable to each application. Ensure all connections are compatible in size, shape and strength. Do not use equipment that is not compatible. Ensure all connectors are fully closed and locked.

DBI-SALA connectors (snap hooks and carabiners) are designed to be used only as specified in each product's user's instructions. See Figure 3 for illustration of the inappropriate connections stated below. DBI-SALA snap hooks and carabiners should not be connected:

- A. To a D-ring to which another connector is attached.
- B. In a manner that would result in a load on the gate.
- C. In a false engagement, where features that protrude from the snap hook or carabiner catch on the anchor and without visual confirmation seems to be fully engaged to the anchor point.
- D. To each other.
- E. Directly to webbing or rope lanyard or tie-back (unless the manufacturer's instructions for both the lanyard and connector specifically allow such a connection).
- F. To any object which is shaped or dimensioned such that the snap hook or carabiner will not close and lock, or that roll-out could occur.

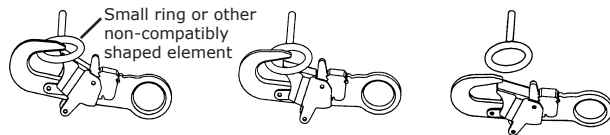
¹ A person with a recognized degree or professional certificate and with extensive knowledge, training, and experience in the fall protection and rescue field who is capable of designing, analyzing, evaluating and specifying fall protection and rescue systems to the extent required by applicable standards.

- G. In a manner that does not allow the connector to align with the fall arrest device (i.e., lanyard) while under load.

NOTE: Other than 3,600 lb. (16 kN) gated hooks, large throat opening snap hooks should not be connected to standard size D-rings or similar objects which will result in a load on the gate if the hook or D-ring twists or rotates. Large throat snap hooks are designed for use on fixed structural elements such as rebar or cross members that are not shaped in a way that can capture the gate of the hook.

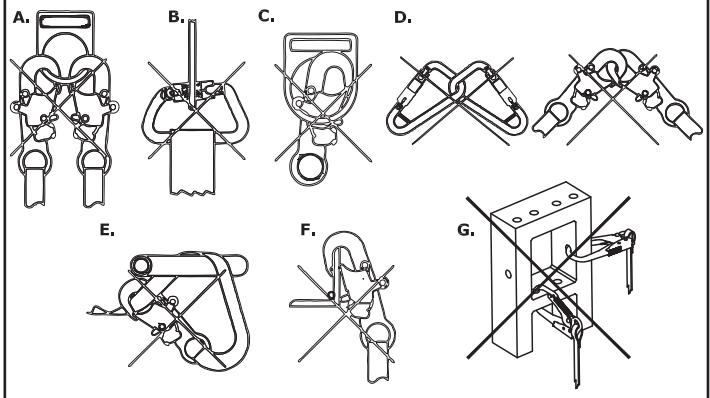
Figure 2- Unintentional Disengagement (Rollout)

If the connecting element to which a snap hook (shown) or carabiner attaches is undersized or irregular in shape, a situation could occur where the connecting element applies a force to the gate of the snap hook or carabiner. This force may cause the gate (of either a self-locking or a non-locking snap hook) to open, allowing the snap hook or carabiner to disengage from the connecting point.



1. Force is applied to the Snap Hook.
2. The Gate presses against the Connecting Ring.
3. The Gate opens allowing the Snap Hook to slip off.

Figure 3 - Inappropriate Connections



2.4 OTHER RESTRICTIONS:

- Do not make connections where the hook locking mechanism can come into contact with a structural member or other equipment and potentially release the hook.
- Do not connect a snap hook into a loop or thimble of a wire rope or attach in any way to a slack wire rope.
- The snap hook must be free to align with the applied load as intended (regardless of the size or shape of the mating connector).
- A carabiner may be used to connect to a single or pair of soft loops on a body support such as a body belt or full body harness, provided the carabiner can fully close and lock. This type of connection is not allowed for snap hooks.
- A carabiner may be connected to a loop or ring connector that is already occupied by a choker style connector. This type of connection is not allowed for snap hooks.

2.5 STRUCTURE LOAD: Structure load requirements for each Fasten-In-Place base model are described in Section 7 of this instruction.

3.0 SYSTEM USE

WARNING: Do not alter or intentionally misuse this equipment. Consult Capital Safety when using this equipment in combination with components or subsystems other than those described in this manual. Some subsystem and component combinations may interfere with the operation of this equipment. Use caution when using this equipment around moving machinery, electrical hazards, chemical hazards, and sharp edges.

3.1 BODY SUPPORT: When using this Capital Safety system it is recommended that a full body harness be worn. For general fall protection use, connect to the D-ring on the back between the shoulders (Dorsal D-ring).

3.2 NORMAL OPERATION: If a fall has been arrested, the system must be taken out of service and inspected, see Section 5.0.

4.0 TRAINING

4.1 It is the responsibility of all users of this equipment to understand these instructions, and are trained in the correct installation, use, and maintenance of this equipment. These individuals must be aware of the consequences of improper installation or use of this equipment. This user manual is not a substitute for a comprehensive training program. Training must be provided on a periodic basis to ensure proficiency of the users.

5.0 INSPECTION

5.1 BEFORE EACH INSTALLATION: Inspect this system and other system components according to these or other manufacturer's instructions. System components must be formally inspected by a qualified person (other than the user) at least annually. Formal inspections should concentrate on visible signs of deterioration or damage to the system components. Items found to be defective must be replaced. Do not use components if inspection reveals an unsafe or defective condition. Record results of each inspection in the *Inspection and Maintenance Log* in this manual.

IMPORTANT: If this equipment has been subjected to forces resulting from the arrest of a fall, it must be immediately removed from service and destroyed or returned to Capital Safety for possible repair.

5.2 INSPECTION STEPS:

Step 1: Ensure the system is free of cracks, dents, distortion, or any other damage.

Step 2: Inspect for corrosion or rust

Step 3: All labels must be present and fully legible.

5.2 If inspection reveals an unsafe or defective condition, remove the unit from service and destroy, or contact Capital Safety for possible repair.

5.2 USER EQUIPMENT: Inspect each system component or subsystem (i.e. SRL, full body harness, lanyard, lifeline, etc.) per associated manufacturer's instructions. Refer to manufacturer's instruction supplied with each system component for inspection procedure.

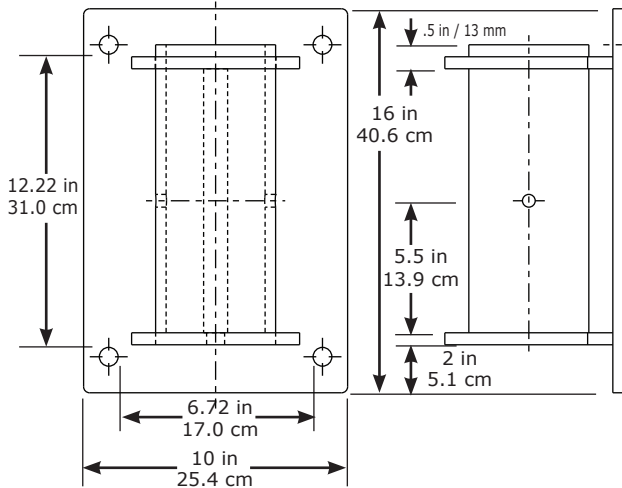
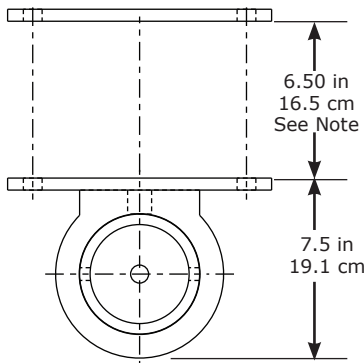
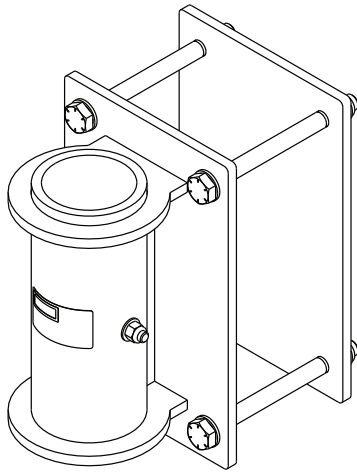
6.0 MAINTENANCE, SERVICE, AND STORAGE

6.1 If components become heavily soiled with grease, paint, or other substances, clean with appropriate cleaning solutions. Do not use caustic chemicals that could damage system components.

7.0 FASTEN-IN-PLACE BASE MODELS IN THIS INSTRUCTION

- 8530373 Fasten-In-Place Clamp-On Vertical Base
- 7400211 Fasten-In-Place Clamp-On Vertical Base
- 7400218 Fasten-In-Place Bolt-On Vertical Base
- 7400222 Fasten-In-Place Weld-On Vertical Base
- 7400225 Fasten-In-Place Bolt-On Vertical Base
- 8530267 Fasten-In-Place Bolt-On Floor Base

7400211 FASTEN-IN-PLACE BASE



NOTE: 7400211 base includes four part number 8526654 bolts, HH, 3/4-10 X 9, ZP, GR8, 9 in. (22.9 cm). Bolt end is threaded 2 in. (5.1 cm). For additional dimensional capacity, substitute your own 3/4 in. (19 mm) grade 8 hardware.

APPLICATION, SPECIFICATIONS, INSTALLATION

APPLICATION

The 7400211 Fasten-In-Place Clamp-On Vertical Base is designed to bolt around an existing vertical steel or concrete structure and is to be used with Securaspan™ Fasten-In-Place Horizontal Lifeline Systems, including the 7400203 DBI-SALA® Horizontal Lifeline System.

SPECIFICATIONS

Dimensional Capacity	Fits up to 6.72 in. (17.1 cm) wide X 12.22 in. (31.0 cm) high X 5.50 in. (14.0 cm) through 6.5 in. (16.5 cm) deep.
System Capacity	310 lbs (141 kg) for each person when used with Securaspan™ Post Horizontal Lifeline (HLL) system.
Weight	80 lbs. (36 Kg)

MATERIALS AND CONSTRUCTION

General Construction	Welded Steel
Weld Certification	AWS
Structure Material	A-36 Steel Plate
Finish	Zinc Plate Per ASTM B633

MOUNTING REQUIREMENTS (MINIMUM)

The structure and mounting hardware (base 7400211 includes mounting hardware) must be capable of supporting a minimum moment load of 390,000 in*lb. (44,064 N*m) without deformation. Installation **MUST BE** approved to local regulations by a qualified engineer.

APPLICATION RESTRICTIONS

1. Bases are for use with Securaspan™ posts and accessories manufactured by DBI-SALA® only.
2. If structure material does not meet minimum requirements, reinforcement **MUST BE** added to meet minimum requirements.
3. Each installation **MUST BE** approved to local regulations by a qualified engineer.

INSTALLATION

FASTEN STANCHION BASE AROUND STRUCTURE:

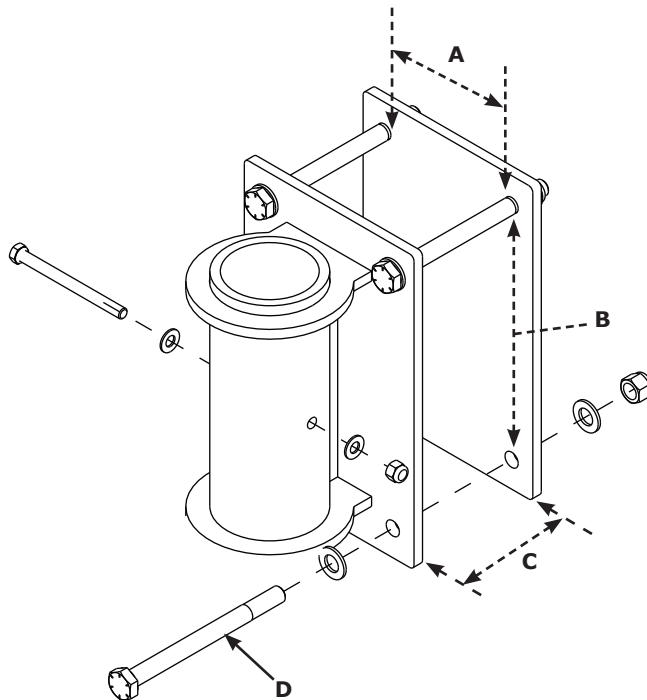
Fasten the Stanchion Base around an existing vertical steel or concrete structure using the included hardware.

Maximum dimensions of structure that can be captured by the 7400211 Fasten-In-Place base frame:

- A. 6.72 in (17.1 cm) maximum width
- B. 12.22 in (31.0 cm) maximum height
- C. 6.50 in (16.5 cm) maximum depth

See illustration below.

Torque hardware to a minimum of 130 ft*lbs (176 N*m). For additional mounting depth capacity, replace the four 9 in. (22.9 cm) bolts (D) supplied with the base with longer 3/4 in. (19 mm) grade 8 (minimum) bolts or threaded rods.

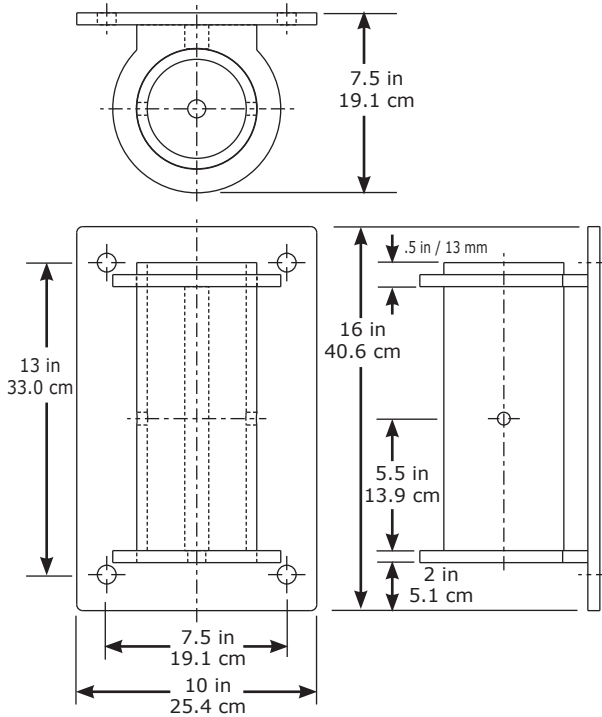
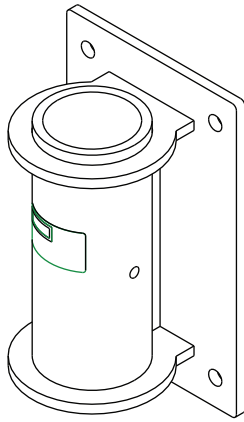


LABELS

This label must be present and fully legible:



7400218 FASTEN-IN-PLACE BASE



APPLICATION, SPECIFICATIONS, INSTALLATION

APPLICATION

The 7400218 Fasten-In-Place Bolt-On Vertical Base is designed to bolt to an existing vertical steel or concrete structure and is to be used with Securaspan™ Fasten-In-Place Horizontal Lifeline Systems, including the 7400203 DBI-SALA® Horizontal Lifeline System.

SPECIFICATIONS

System Capacity	310 lbs (141 kg) for each person when used with Securaspan™ Post Horizontal Lifeline (HLL) system.
Weight	24 lbs. (11 Kg)

MATERIALS AND CONSTRUCTION

General Construction	Welded Steel
Weld Certification	AWS
Structure Material	A-36 Steel Plate
Finish	Zinc Plate Per ASTM B633

MOUNTING REQUIREMENTS (MINIMUM)

The structure and mounting hardware must be capable of supporting a minimum moment load of 390,000 in*lb. (44,064 N*m) without deformation. Installation **MUST BE** approved to local regulations by a qualified engineer.

APPLICATION RESTRICTIONS

1. Bases are for use with Securaspan™ posts and accessories manufactured by DBI-SALA® only.
2. If structure material does not meet minimum requirements, reinforcement **MUST BE** added to meet minimum requirements.
3. Each installation **MUST BE** approved to local regulations by a qualified engineer.

NOTE: 3/4 in. (19 mm) grade 8 (minimum) hardware is required for installation.

7400218 FASTEN-IN-PLACE BASE

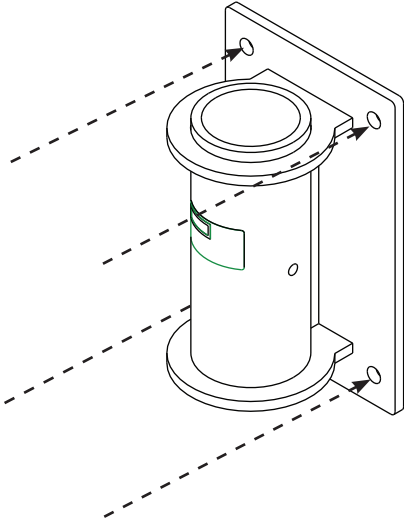
APPLICATION, SPECIFICATIONS, INSTALLATION

INSTALLATION

FASTEN THE BOLT-ON VERTICAL BASE TO STRUCTURE:

Fasten the Stanchion Base to an existing vertical steel or concrete structure using 3/4 in. (19 mm) grade 8 (minimum) hardware (not included).

See illustration below. Torque hardware to a minimum of 130 ft*lbs (176 N*m).

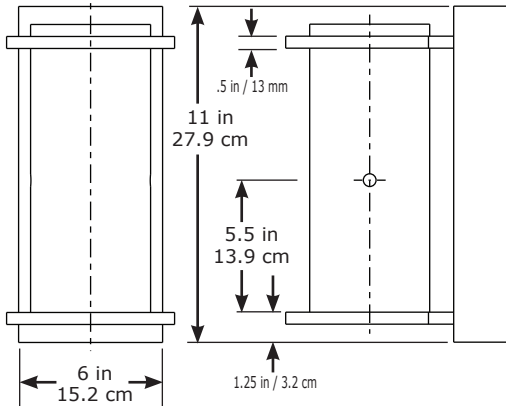
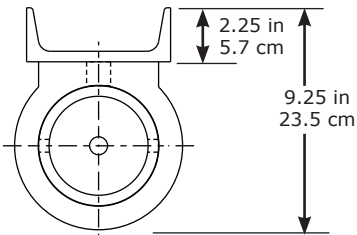
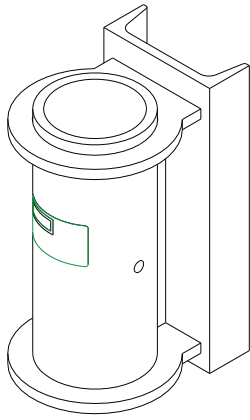


LABELS

This label must be present and fully legible:

DBI		9504547 Rev F	
SALA		www.capitalsafety.com	
		Capital Safety	
		Red Wing, MN, USA	
		+1-800-328-6146	
SERIAL NO. XXXXX			
MFRD(Y/M):	LOT NO.:	MODEL NO.:	LENGTH (FT):
[Cross-hatched area for handwritten information]			

7400222 FASTEN-IN-PLACE BASE



APPLICATION, SPECIFICATIONS, INSTALLATION

APPLICATION

The 7400222 Fasten-In-Place Weld-On Vertical Base is designed to be welded to an existing vertical steel structure and is to be used with Securaspan™ Fasten-In-Place Horizontal Lifeline Systems, including the 7400203 DBI-SALA® Horizontal Lifeline System.

SPECIFICATIONS

System Capacity	310 lbs (141 kg) for each person when used with Securaspan™ Post Horizontal Lifeline (HLL) system.
Weight	50 lbs. (23 Kg)

MATERIALS AND CONSTRUCTION

General Construction	Welded Steel
Weld Certification	AWS
Structure Material	A-36 Steel Plate
Finish	Zinc Plate Per ASTM B633

MOUNTING REQUIREMENTS (MINIMUM)

The structure and mounting hardware must be capable of supporting a minimum moment load of 390,000 in*lb. (44,064 N*m) without deformation. Installation **MUST BE** approved to local regulations by a qualified engineer.

APPLICATION RESTRICTIONS

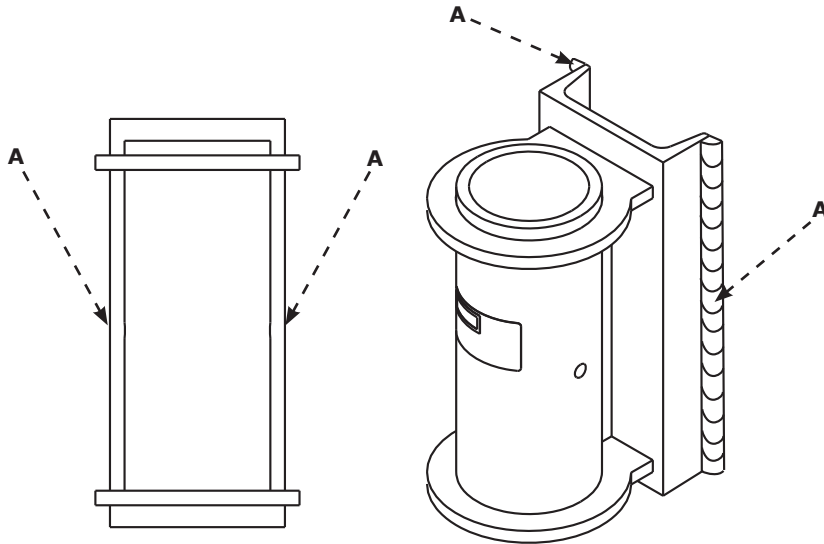
1. Bases are for use with Securaspan™ posts and accessories manufactured by DBI-SALA® only.
2. System design factor depends on other system components and the configuration in which they are assembled. The minimum design factor for all standard Advanced Safety Systems masts and accessories is 4:1.
3. All welding is to be carried out by qualified personnel.
4. If structure material does not meet minimum requirements, reinforcement **MUST BE** added to meet minimum requirements.
5. Each installation **MUST BE** approved to local regulations by a qualified engineer.

INSTALLATION

WELD THE WELD-ON VERTICAL BASE TO STRUCTURE:

The Weld-On Base must be welded to an existing vertical steel structure.

The weld bead (**A**) must run the entire length of both C-Channels as shown in the illustration below. Weld must be able to hold a 390,000 in lb (4,407 N*m) moment load.

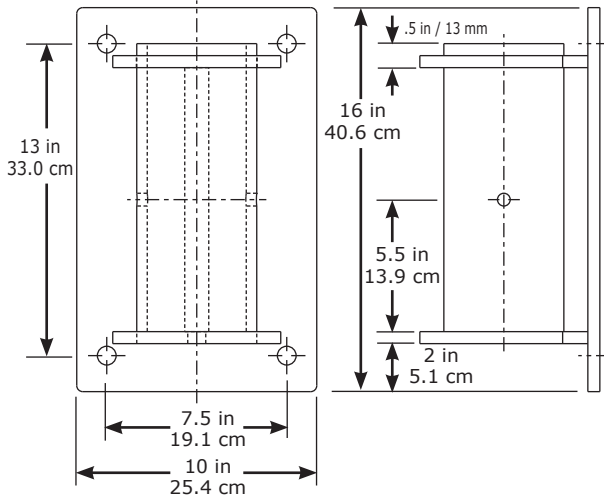
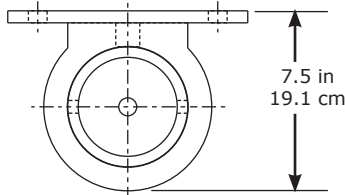
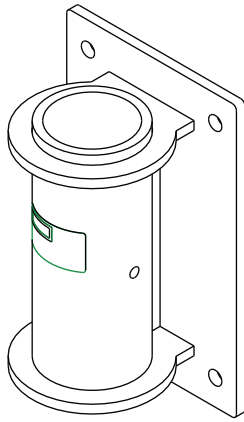


LABELS

This label must be present and fully legible:



7400225 FASTEN-IN-PLACE BASE



APPLICATION, SPECIFICATIONS, INSTALLATION

APPLICATION

The 7400225 Fasten-In-Place Bolt-On Vertical Base is designed to bolt to an existing vertical steel or concrete structure and is to be used with Securaspan™ Fasten-In-Place Horizontal Lifeline Systems, including the 7400203 DBI-SALA® Horizontal Lifeline System.

SPECIFICATIONS

System Capacity	310 lbs (141 kg) for each person when used with Securaspan™ Post Horizontal Lifeline (HLL) system.
Weight	24 lbs. (11 Kg)

MATERIALS AND CONSTRUCTION

General Construction	Welded Steel
Weld Certification	AWS
Structure Material	304 Stainless Steel

MOUNTING REQUIREMENTS (MINIMUM)

The structure and mounting hardware must be capable of supporting a minimum moment load of 390,000 in*lb. (44,064 N*m) without deformation. Installation **MUST BE** approved to local regulations by a qualified engineer.

APPLICATION RESTRICTIONS

1. Bases are for use with Securaspan™ posts and accessories manufactured by DBI-SALA® only.
2. If structure material does not meet minimum requirements, reinforcement **MUST BE** added to meet minimum requirements.
3. Each installation **MUST BE** approved to local regulations by a qualified engineer.

NOTE: 3/4 in. (19 mm) grade 8 (minimum) hardware is required for installation.

7400225 FASTEN-IN-PLACE BASE

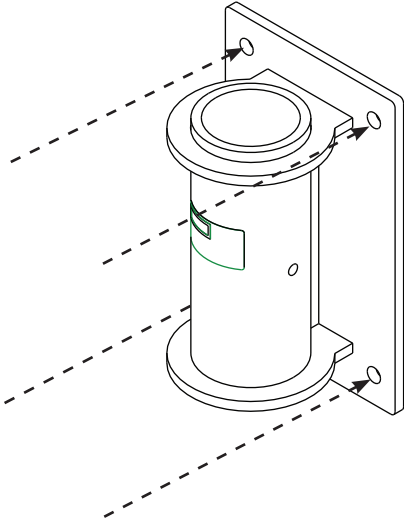
APPLICATION, SPECIFICATIONS, INSTALLATION

INSTALLATION

FASTEN THE BOLT-ON VERTICAL BASE TO STRUCTURE:

Fasten the Stanchion Base to an existing vertical steel or concrete structure using 3/4 in. (19 mm) grade 8 (minimum) hardware (not included).

See illustration below. Torque hardware to a minimum of 130 ft*lbs (176 N*m).

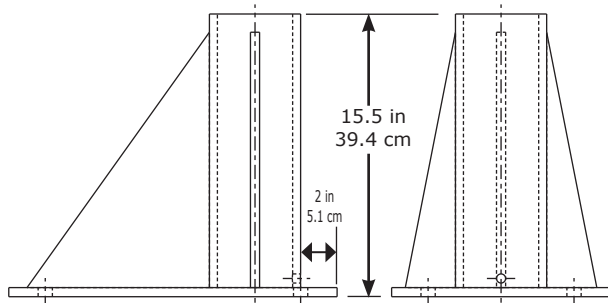
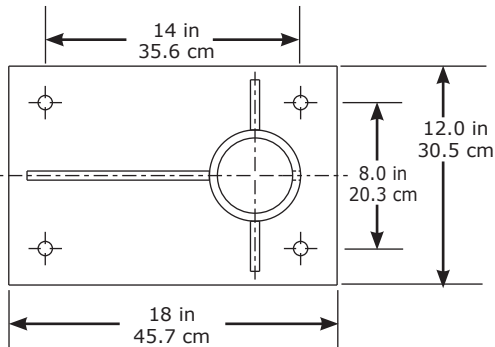
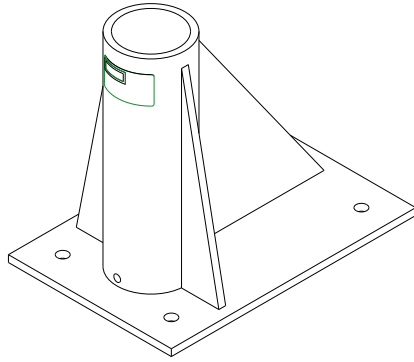


LABELS

This label must be present and fully legible:

DBI		9504547 Rev F	
SALA		www.capitalsafety.com	
		Capital Safety	
		Red Wing, MN, USA	
		+1-800-328-6146	
SERIAL NO. XXXXX			
MFRD(Y/M):	LOT NO.:	MODEL NO.:	LENGTH (FT):
[Cross-hatched area]			

8530267 FASTEN-IN-PLACE BOLT-ON FLOOR BASE



NOTE: 3/4 in. (19 mm) grade 8 (minimum) hardware is required for installation.

APPLICATION, SPECIFICATIONS, INSTALLATION

APPLICATION

The 8530267 Fasten-In-Place Bolt-On Floor Base is designed to be bolted to existing steel or concrete horizontal surfaces and is to be used with Securaspan™ Fasten-In-Place Horizontal Lifeline Systems, including the 7400203 DBI-SALA® Horizontal Lifeline System.

SPECIFICATIONS

System Capacity	310 lbs (141 kg) for each person when used with Securaspan™ Post Horizontal Lifeline (HLL) system.
Weight	75 lbs. (34 Kg)

MATERIALS AND CONSTRUCTION

General Construction	Welded Steel
Weld Certification	AWS
Structure Material	A-36 Steel Plate
Finish	Zinc Plate Per ASTM B633

MOUNTING REQUIREMENTS (MINIMUM)

The structure and mounting hardware must be capable of supporting a minimum moment load of 390,000 in*lb. (44,064 N*m) and a 5,000 lb (2268 kg) vertical load. Anchors used to mount this base must have an installed minimum pull-out strength of 19,500 (86.8 kN) and a shear strength of 5,000 lb (22.2 kN). Installation **MUST BE** approved to local regulations by a qualified engineer.

APPLICATION RESTRICTIONS

1. Bases are for use with Securaspan™ posts and accessories manufactured by DBI-SALA® only.
2. If structure material does not meet minimum requirements, reinforcement **MUST BE** added to meet minimum requirements.
3. Each installation **MUST BE** approved to local regulations by a qualified engineer.

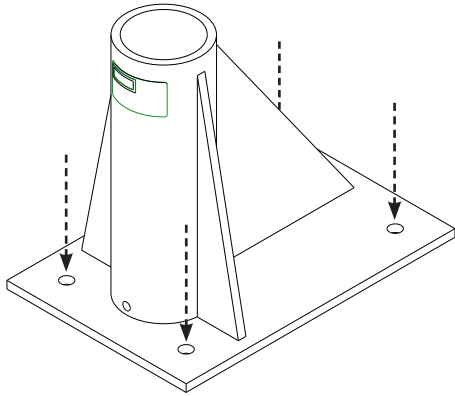
8530267 FASTEN-IN-PLACE BOLT-ON FLOOR BASE

APPLICATION, SPECIFICATIONS, INSTALLATION

INSTALLATION

BOLT THE BOLT-ON FLOOR BASE TO STRUCTURE:

Fasten the Bolt-On Floor Base around an existing steel or concrete horizontal surface using 3/4 in. (19 mm) grade 8 (minimum) hardware (not included).

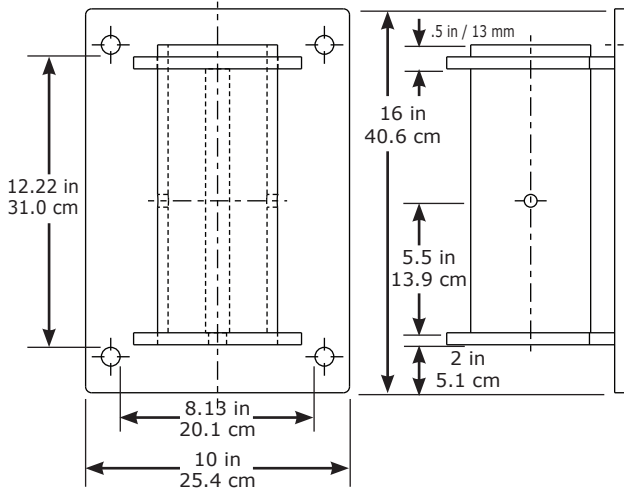
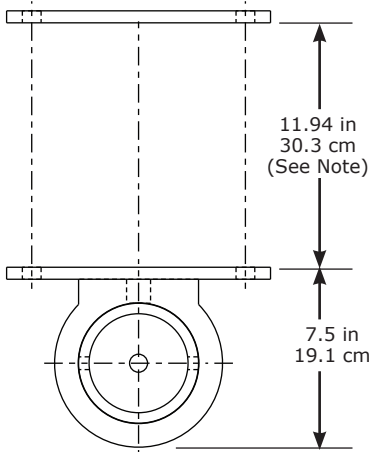
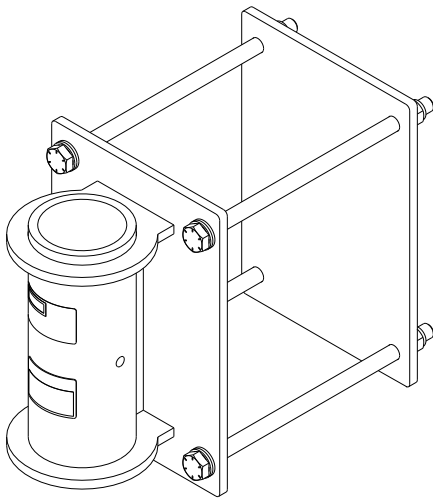


LABELS

This label must be present and fully legible:



8530373 FASTEN-IN-PLACE BASE



NOTE: 8530373 base includes four part number 9506699 bolts, HH, 3/4-10 X 15, ZP, GR8, 15 in. (38.1 cm). Bolt end is threaded 2 in. (5.1 cm). For additional dimensional capacity, substitute your own 3/4 in. (19 mm) grade 8 hardware.

APPLICATION, SPECIFICATIONS, INSTALLATION

APPLICATION

The 8530373 Fasten-In-Place Clamp-On Vertical Base is designed to bolt around an existing steel or concrete structure and is to be used with Securaspan™ Pour-In-Place Horizontal Lifeline Systems, including the 7400203 DBI-SALA® Horizontal Lifeline System.

SPECIFICATIONS

Dimensional Capacity	Fits up to 8.13 in. (20.1 cm) wide X 12.22 in. (31.0 cm) high X 10.94 in. (27.8 cm) through 11.94 in. (30.3 cm) deep.
System Capacity	310 lbs (141 kg) for each person when used with Securaspan™ Post Horizontal Lifeline (HLL) system.
Weight	85 lbs. (39 Kg)

MATERIALS AND CONSTRUCTION

General Construction	Welded Steel
Weld Certification	AWS
Structure Material	A-36 Steel Plate
Finish	Zinc Plate Per ASTM B633

MOUNTING REQUIREMENTS (MINIMUM)

The structure and mounting hardware (base 8530373 includes mounting hardware) must be capable of supporting a minimum moment load of 390,000 in*lb. (44,064 N*m) without deformation. Installation **MUST BE** approved to local regulations by a qualified engineer.

APPLICATION RESTRICTIONS

1. Bases are for use with Securaspan™ posts and accessories manufactured by DBI-SALA® only.
2. If structure material does not meet minimum requirements, reinforcement **MUST BE** added to meet minimum requirements.
3. Each installation **MUST BE** approved to local regulations by a qualified engineer.

INSTALLATION

FASTEN STANCHION BASE AROUND STRUCTURE:

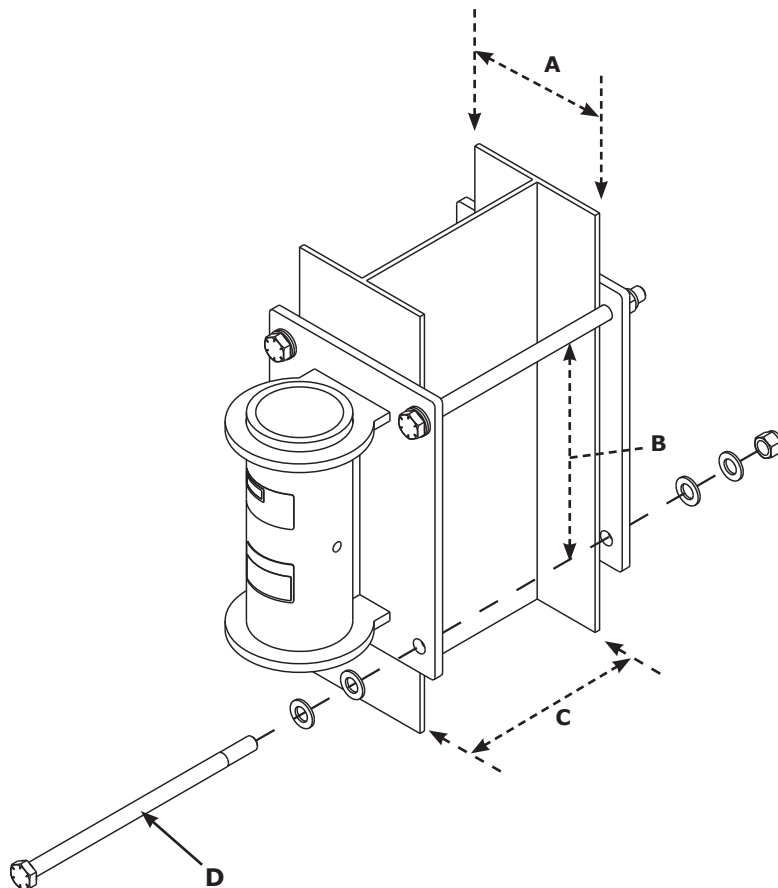
Fasten the Stanchion Base around the existing structure using the included hardware.

Maximum dimensions of structure that can be captured by the 8530373 Fasten-In-Place base frame:

- A. 8.13 in (20.1 cm) maximum width
- B. 12.22 in (31.0 cm) maximum height
- C. 11.94 in (30.3 cm) maximum depth

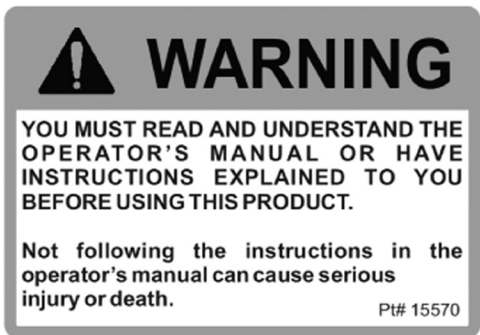
See illustration below for an example of mounting the base to an i-beam.

Torque hardware to a minimum of 130 ft*lbs (176 N*m). For additional mounting depth capacity, replace the four 15 in. (38.1 cm) bolts (D) supplied with the base with longer 3/4 in. (19 mm) bolts or threaded rods.



LABELS

These labels must be present and fully legible:



INSPECTION AND MAINTENANCE LOG

SERIAL NUMBER:			
MODEL NUMBER:			
DATE PURCHASED:			DATE OF FIRST USE:

INSPECTION DATE	INSPECTION ITEMS NOTED	CORRECTIVE ACTION	MAINTENANCE PERFORMED
Approved By:			
Approved By:			
Approved By:			
Approved By:			
Approved By:			
Approved By:			
Approved By:			
Approved By:			
Approved By:			
Approved By:			
Approved By:			
Approved By:			
Approved By:			
Approved By:			
Approved By:			
Approved By:			
Approved By:			
Approved By:			
Approved By:			
Approved By:			

INSPECTION DATE	INSPECTION ITEMS NOTED	CORRECTIVE ACTION	MAINTENANCE PERFORMED
Approved By:			
Approved By:			
Approved By:			
Approved By:			
Approved By:			
Approved By:			
Approved By:			
Approved By:			
Approved By:			
Approved By:			
Approved By:			
Approved By:			
Approved By:			
Approved By:			
Approved By:			
Approved By:			
Approved By:			
Approved By:			
Approved By:			
Approved By:			
Approved By:			
Approved By:			
Approved By:			
Approved By:			
Approved By:			
Approved By:			
Approved By:			
Approved By:			
Approved By:			
Approved By:			
Approved By:			
Approved By:			
Approved By:			
Approved By:			

LIMITED LIFETIME WARRANTY

Warranty to End User: D B Industries, Inc., dba CAPITAL SAFETY USA ("CAPITAL SAFETY") warrants to the original end user ("End User") that its products are free from defects in materials and workmanship under normal use and service. This warranty extends for the lifetime of the product from the date the product is purchased by the End User, in new and unused condition, from a CAPITAL SAFETY authorized distributor. CAPITAL SAFETY'S entire liability to End User and End User's exclusive remedy under this warranty is limited to the repair or replacement in kind of any defective product within its lifetime (as CAPITAL SAFETY in its sole discretion determines and deems appropriate). No oral or written information or advice given by CAPITAL SAFETY, its distributors, directors, officers, agents or employees shall create any different or additional warranties or in any way increase the scope of this warranty. CAPITAL SAFETY will not accept liability for defects that are the result of product abuse, misuse, alteration or modification, or for defects that are due to a failure to install, maintain, or use the product in accordance with the manufacturer's instructions.

CAPITAL SAFETY'S WARRANTY APPLIES ONLY TO THE END USER. THIS WARRANTY IS THE ONLY WARRANTY APPLICABLE TO OUR PRODUCTS AND IS IN LIEU OF ALL OTHER WARRANTIES AND LIABILITIES, EXPRESSED OR IMPLIED. CAPITAL SAFETY EXPRESSLY EXCLUDES AND DISCLAIMS ANY IMPLIED WARRANTIES OF MERCHANTABILITY OR FITNESS FOR A PARTICULAR PURPOSE, AND SHALL NOT BE LIABLE FOR INCIDENTAL, PUNITIVE OR CONSEQUENTIAL DAMAGES OF ANY NATURE, INCLUDING WITHOUT LIMITATION, LOST PROFITS, REVENUES, OR PRODUCTIVITY, OR FOR BODILY INJURY OR DEATH OR LOSS OR DAMAGE TO PROPERTY, UNDER ANY THEORY OF LIABILITY, INCLUDING WITHOUT LIMITATION, CONTRACT, WARRANTY, STRICT LIABILITY, TORT (INCLUDING NEGLIGENCE) OR OTHER LEGAL OR EQUITABLE THEORY.



The Ultimate in Fall Protection

CSG USA & Latin America

3833 SALA Way
Red Wing, MN 55066-5005
Toll Free: 800.328.6146
Phone: 651.388.8282
Fax: 651.388.5065
solutions@capitalsafety.com

CSG Canada

260 Export Boulevard
Mississauga, ON L5S 1Y9
Phone: 905.795.9333
Toll-Free: 800.387.7484
Fax: 888.387.7484
info.ca@capitalsafety.com

CSG Northern Europe

5a Merse Road
North Moons, Moat
Reditch, Worcestershire, UK
B98 9HL
Phone: + 44 (0)1527 548 000
Fax: + 44 (0)1527 591 000
csgne@capitalsafety.com

CSG EMEA (Europe, Middle East, Africa)

Le Broc Center
Z.I. 1ère Avenue
5600 M B.P. 15 06511
Carros
Le Broc Cedex
France
Phone: + 33 4 97 10 00 10
Fax: + 33 4 93 08 79 70
information@capitalsafety.com

CSG Australia & New Zealand

95 Derby Street
Silverwater
Sydney NSW 2128
AUSTRALIA
Phone: +(61) 2 8753 7600
Toll-Free : 1 800 245 002 (AUS)
Toll-Free : 0800 212 505 (NZ)
Fax: +(61) 2 8753 7603
sales@capitalsafety.com.au

CSG Asia

Singapore:
16S, Enterprise Road
Singapore 627666
Phone: +65 - 65587758
Fax: +65 - 65587058
inquiry@capitalsafety.com

Shanghai:

Rm 1406, China Venturetech Plaza
819 Nan Jing Xi Rd,
Shanghai 200041, P R China
Phone: +86 21 62539050
Fax: +86 21 62539060

www.capitalsafety.com

