



ANSI Z359.18  
Type A

OSHA 1926.502  
OSHA 1910.140

# TROLLEY ANCHOR

## Anchorage Connector



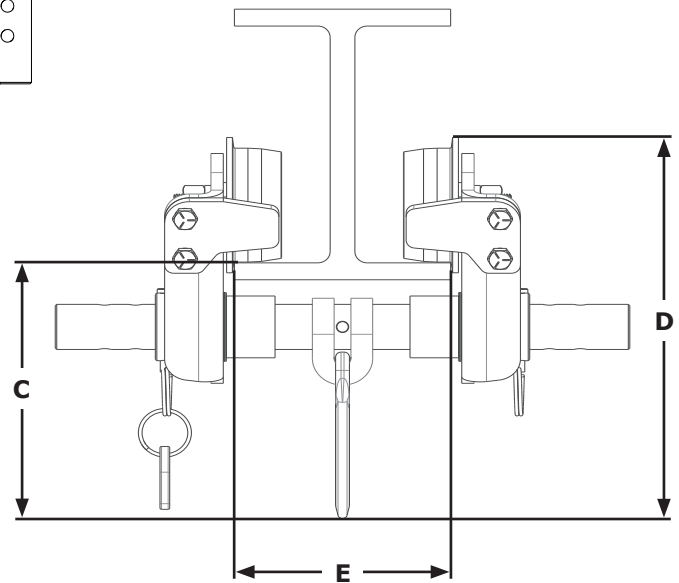
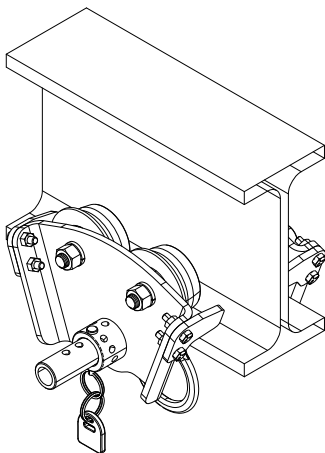
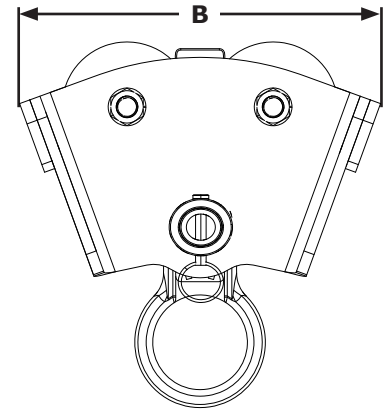
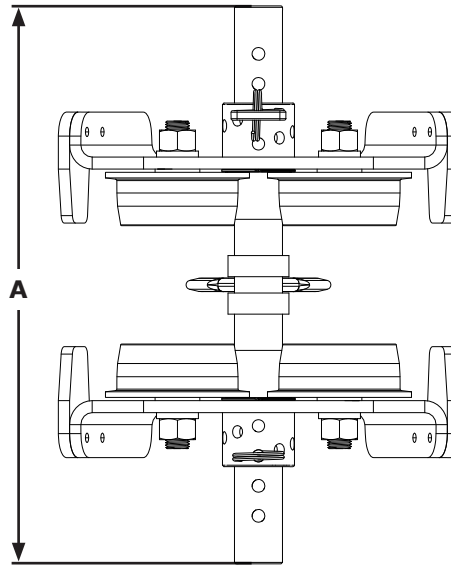
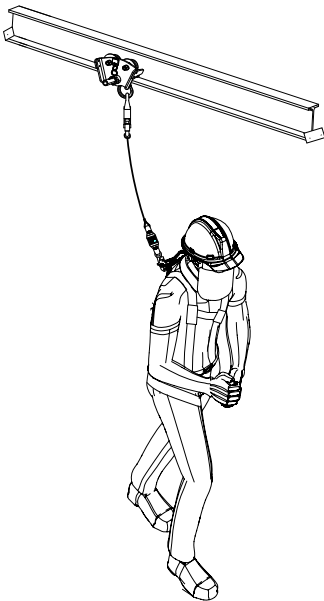
# USER INSTRUCTIONS

## 5902145 REV. H

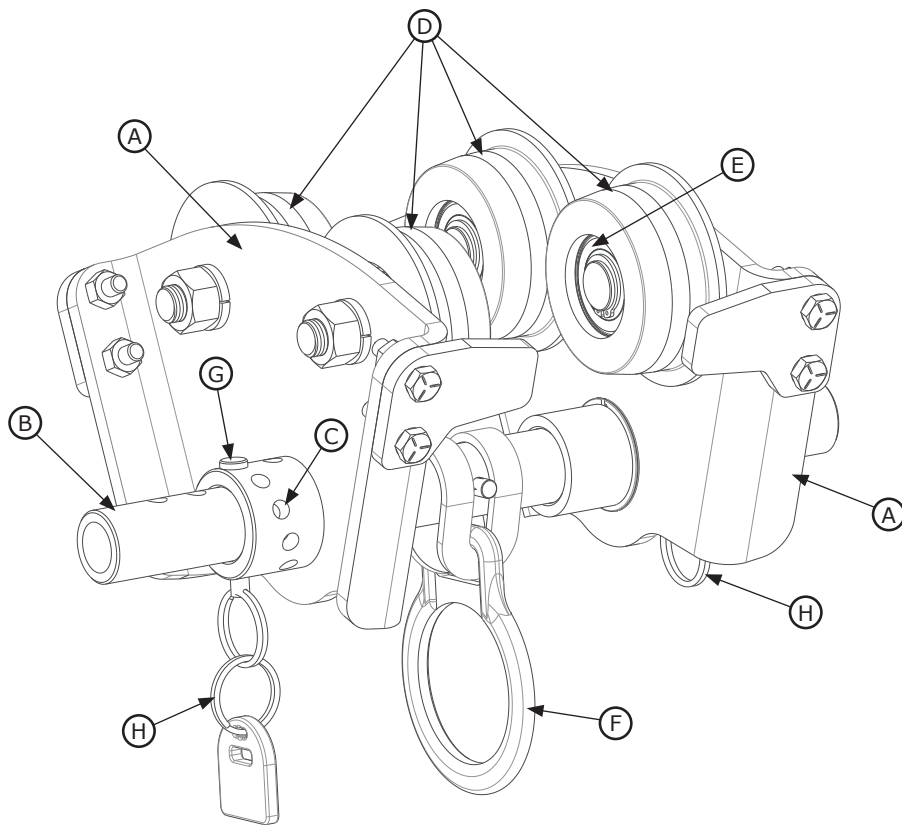
Fall Protection

### 1

	ANSI Z359.18	OSHA	A	B	C	D	E
<b>2103143</b>	✓	✓	11.63 in. (29.54 cm)	8.81 in. (22.38 cm)	5.56 in. (14.38 cm)	8.42 in. (21.39 cm)	3.0 in. - 8.0 in. (7.6 cm - 20.3 cm)
<b>2103143C</b>		✓	11.63 in. (29.54 cm)	8.81 in. (22.38 cm)	5.56 in. (14.38 cm)	8.42 in. (21.39 cm)	3.0 in. - 8.0 in. (7.6 cm - 20.3 cm)
<b>2103147</b>	✓	✓	11.63 in. (29.54 cm)	8.81 in. (22.38 cm)	5.56 in. (14.38 cm)	8.42 in. (21.39 cm)	3.0 in. - 8.0 in. (7.6 cm - 20.3 cm)
<b>2103149</b>	✓	✓	11.63 in. (29.54 cm)	8.81 in. (22.38 cm)	5.56 in. (14.38 cm)	8.42 in. (21.39 cm)	3.0 in. - 8.0 in. (7.6 cm - 20.3 cm)
<b>2103152</b>	✓	✓	11.63 in. (29.54 cm)	8.81 in. (22.38 cm)	5.56 in. (14.38 cm)	8.42 in. (21.39 cm)	3.0 in. - 8.0 in. (7.6 cm - 20.3 cm)

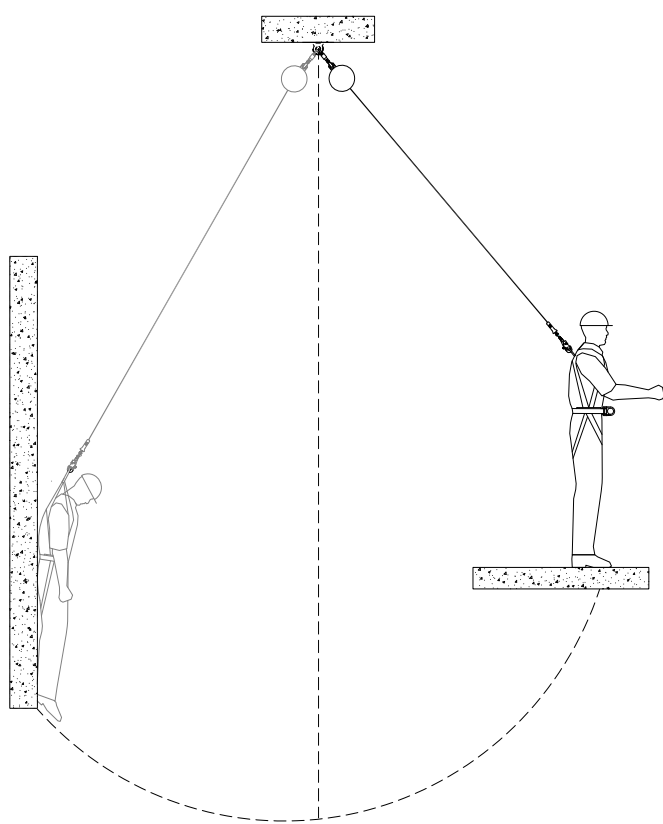
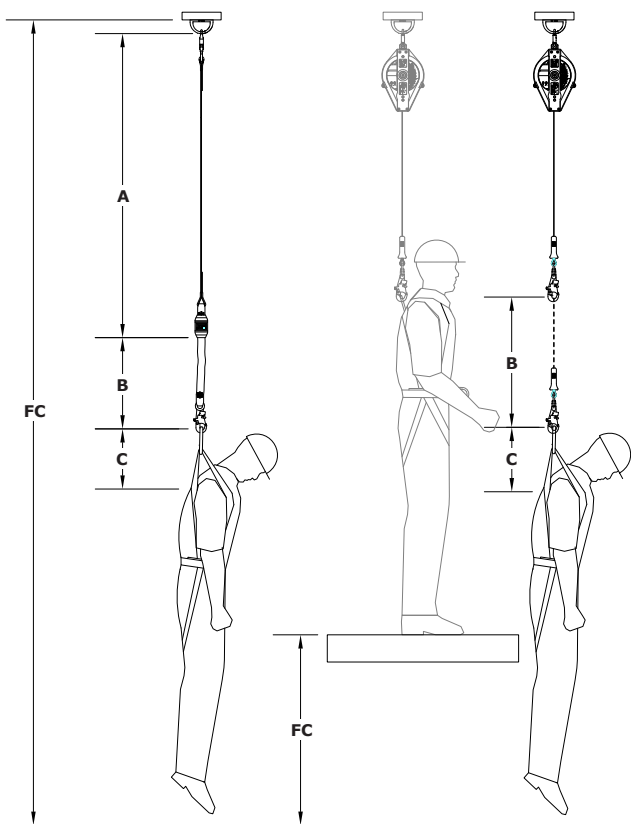


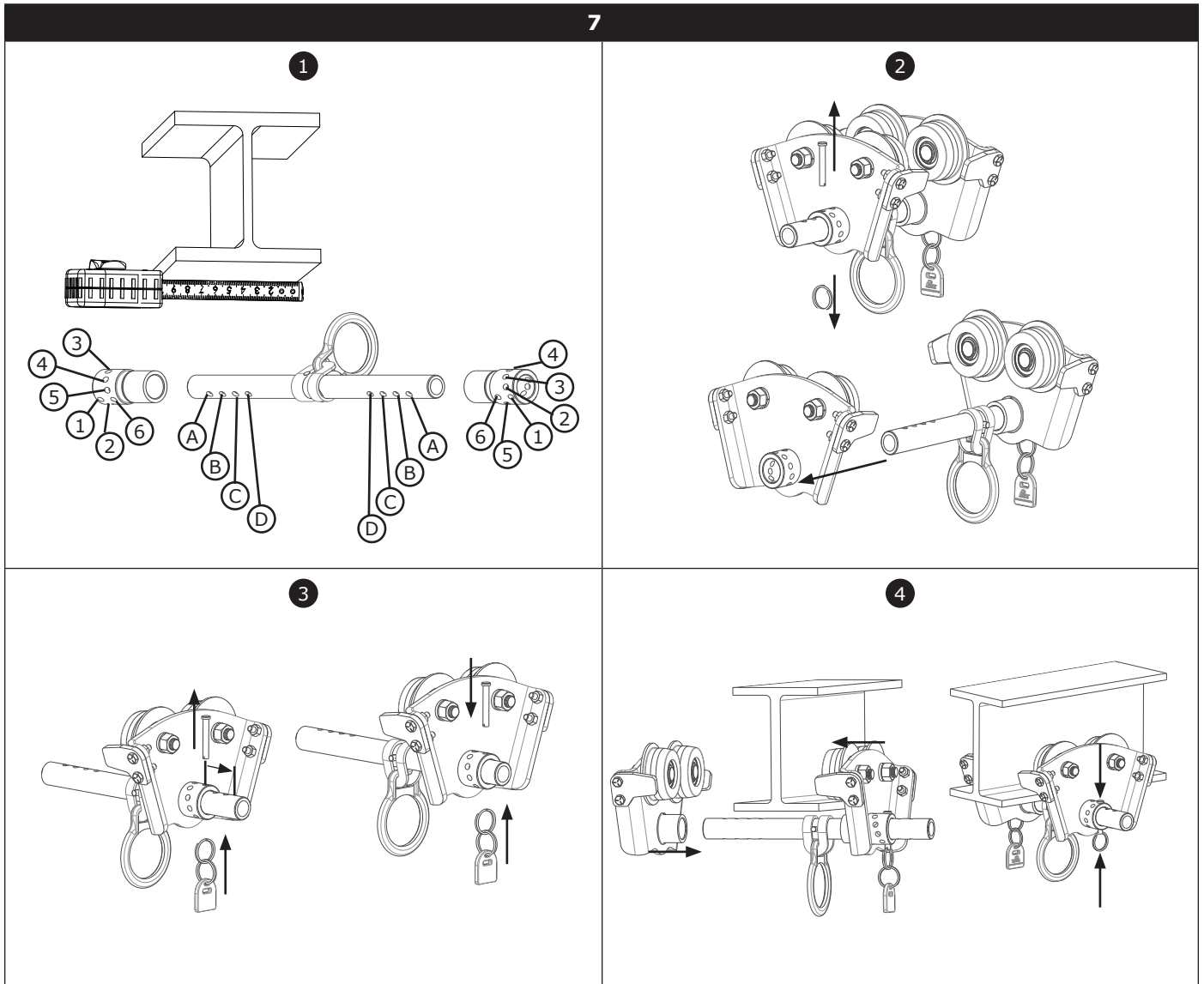
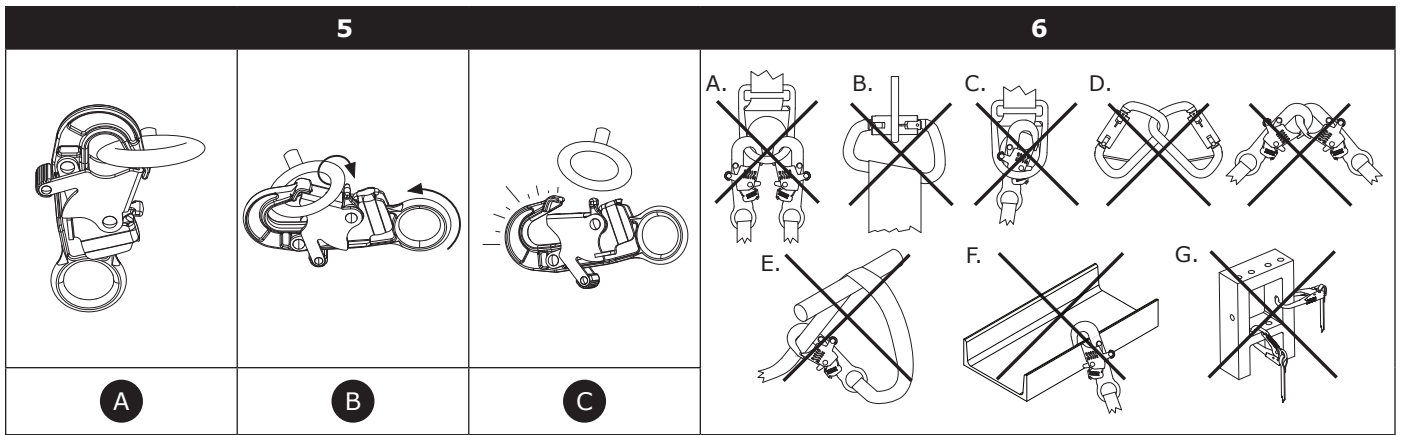
2



3

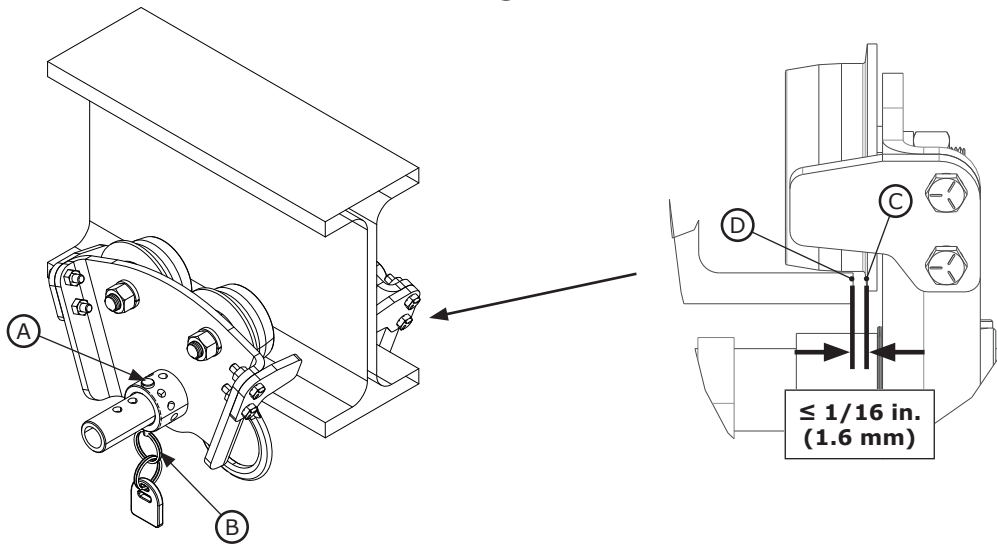
4



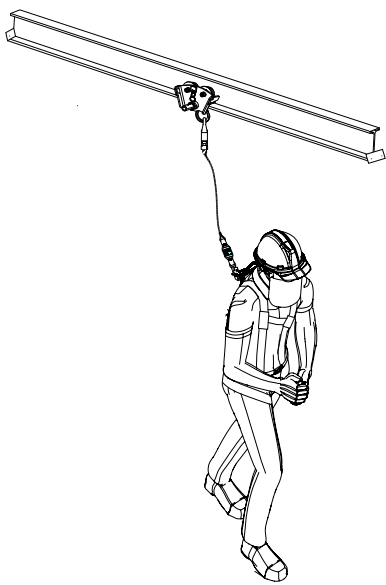


7

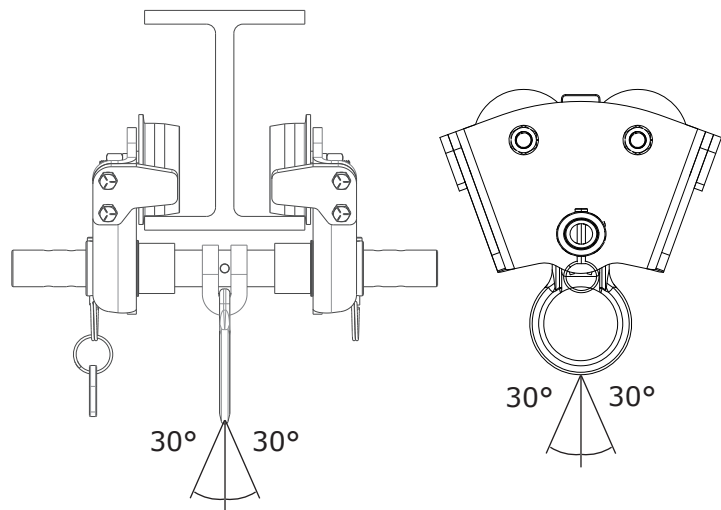
5



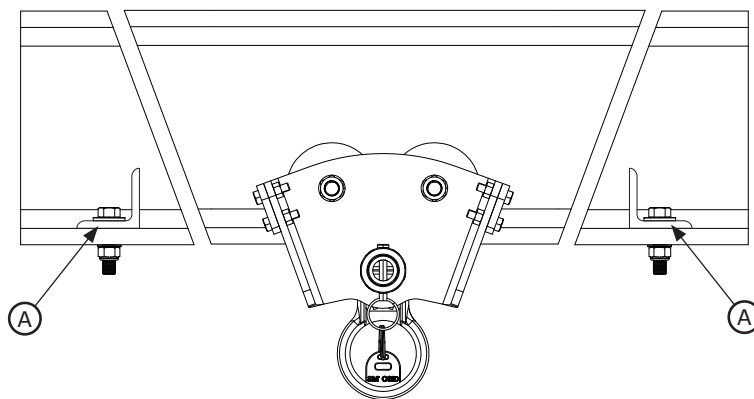
8

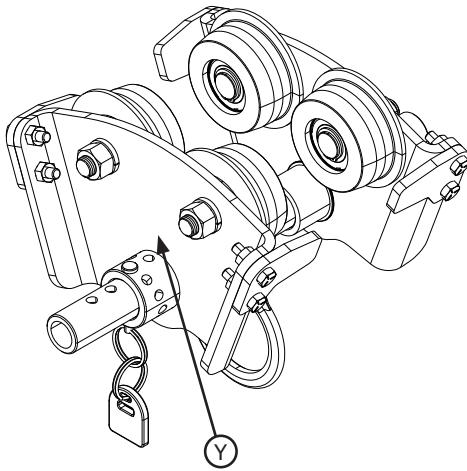
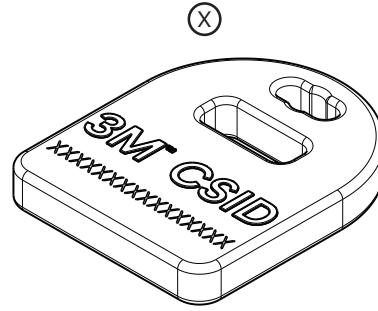
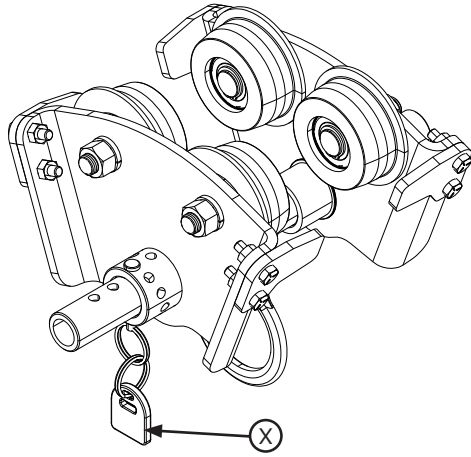


9



10





	A	B	C
Y	2103143		
	2103147	✓	✓
	2103149	✓	✓
	2103152		
	2103143C		✓

**3M** | **CSID**  
Fall Protection

① 3M.com/FallProtection

**WARNING** ② Manufacturer's instructions supplied with this product at time of shipment must be followed for proper use. See instructions for installation, inspection and maintenance requirements. Failure to follow instructions may result in serious injury or death. Connecting hardware must be compatible in size, shape and strength. Use caution when working near thermal, electrical or chemical hazards. Do not exceed capacity of this or other system components.

U.S. Patent No. D459839S  
Do not remove this label.

9502270 Rev. D

MFRD (YRMO)/LOT NO: ③ MODEL NO: ④ STDS: ⑥

Adjustable Width Beam Trolley  
Beam flange width: 3 in min/8 in max

Materials: Model 2103143 - Carbon Steel ⑤  
Model 2103147 - Stainless Steel

Capacity: 1 person, 310 lbs(141 kg) ANSI, 420 lbs (191 kg) OSHA  
Max arresting force: 1,800 lbs  
Max side load: 30° from vertical

This product complies with the following standards only if marked with the corresponding letter code under the "STDS" section:  
A = OSHA 1910.140 & 1926.502  
B = ANSI Z359.18 - Type A

**3M** | **CSID**  
Fall Protection

① 3M.com/FallProtection

**INSPECTION:** Before each use ② Inspect anchor to determine if it is in good condition. Do not use if inspection reveals an unsafe or defective condition. Items subject to fall arrest or impact forces must be immediately removed from service and destroyed. Not user repairable.

Do not remove this label

Minimum Breaking Strength: 5,000 lbs  
ANSI Minimum service temp: - 40°F (- 40°C) ③

④ INSPECTION LOG

DATE	INITIAL	DATE	INITIAL

9503254 Rev. C

**3M** | **CSID**  
Fall Protection

① 3M.com/FallProtection

9501612 REV. D

**AVERTISSEMENT** ② On doit observer les instructions du fabricant fournies avec ce produit au moment de l'expédition pour bien l'utiliser. Voir les instructions pour connaître les exigences d'installation, d'inspection et d'entretien. Négliger d'observer les instruction peut causer des blessures graves, voire mortelles. Le matériel de fixation doit être compatible en taille, forme et résistance. Prendre des précautions lorsqu'on travaille à proximité de dangers thermiques, électriques ou chimiques.

FABR. (YRMO) / N° DE LOT ③ N° DE MODELE ④

Chariot de Poutre à Largeur Réglable  
Largeur d'aile de poutre: de 7,6 cm (3 po) à 20,3 cm (8 po) ⑤

Matériaux: Modèle n° 2103143-acier au carbone  
Modèle n° 2103147-acier inoxydable

Force d'arrêt max: 8 kN (1 800 lb)  
Capacité: 191 kg (420 lbs)  
Charge latérale max. par rapport à la verticale: 30°  
Conforme aux exigences de l'OSHA et d'

## SAFETY INFORMATION

Please read, understand, and follow all safety information contained in these instructions prior to the use of this Anchorage Connector. **FAILURE TO DO SO COULD RESULT IN SERIOUS INJURY OR DEATH.**

These instructions must be provided to the user of this equipment. Retain these instructions for future reference.

### Intended Use:

This Anchorage Connector is intended for use as part of a complete personal fall protection system.

Use in any other application including, but not limited to, material handling, recreational or sports related activities, or other activities not described in the User Instructions, is not approved by 3M and could result in serious injury or death.

This device is only to be used by trained users in workplace applications.

### WARNING

This Anchorage Connector is part of a personal fall protection system. It is expected that all users be fully trained in the safe installation and operation of their personal fall protection system. **Misuse of this device could result in serious injury or death.** For proper selection, operation, installation, maintenance, and service, refer to these User Instructions and all manufacturer recommendations, see your supervisor, or contact 3M Technical Service.

- **To reduce the risks associated with working with an Anchorage Connector which, if not avoided, could result in serious injury or death:**
  - Inspect the device before each use, at least annually, and after any fall event. Inspect in accordance with the User Instructions.
  - If inspection reveals an unsafe or defective condition, remove the device from service and repair or replace according to the User Instructions.
  - Any device that has been subject to fall arrest or impact force must be immediately removed from service and destroyed.
  - The device must only be installed in the specified substrates or on structures detailed in the User Instructions. Installations and use outside the scope of this instruction must be approved by 3M Fall Protection.
  - The substrate or structure to which the anchorage connector is attached must be able to sustain the static loads specified for the anchor in the orientations permitted in the User Instructions.
  - Only connect other fall protection subsystems to the designated anchorage connection point on the device.
  - Prior to drilling or fastening, ensure no electric lines, gas lines, or other critical embedded systems will be contacted by the drill or the device.
  - Ensure that fall protection systems/subsystems assembled from components made by different manufacturers are compatible and meet the requirements of applicable standards, including the ANSI Z359 or other applicable fall protection codes, standards, or requirements. Always consult a Competent or Qualified Person before using these systems.
  
- **To reduce the risks associated with working at height which, if not avoided, could result in serious injury or death:**
  - Ensure your health and physical condition allow you to safely withstand all of the forces associated with working at height. Consult with your doctor if you have any questions regarding your ability to use this equipment.
  - Never exceed allowable capacity of your fall protection equipment.
  - Never exceed maximum free fall distance of your fall protection equipment.
  - Do not use any fall protection equipment that fails pre-use or other scheduled inspections, or if you have concerns about the use or suitability of the equipment for your application. Contact 3M Technical Services with any questions.
  - Some subsystem and component combinations may interfere with the operation of this equipment. Only use compatible connections. Consult 3M prior to using this equipment in combination with components or subsystems other than those described in the User Instructions.
  - Use extra precautions when working around moving machinery (e.g. top drive of oil rigs) electrical hazards, extreme temperatures, chemical hazards, explosive or toxic gases, sharp edges, or below overhead materials that could fall onto you or your fall protection equipment.
  - Use Arc Flash or Hot Works devices when working in high heat environments.
  - Avoid surfaces and objects that can damage the user or equipment.
  - Ensure there is adequate fall clearance when working at height.
  - Never modify or alter your fall protection equipment. Only 3M or parties authorized in writing by 3M may make repairs to the equipment.
  - Prior to use of fall protection equipment, ensure a rescue plan is in place which allows for prompt rescue if a fall incident occurs.
  - If a fall incident occurs, immediately seek medical attention for the worker who has fallen.
  - Do not use a body belt for fall arrest applications. Use only a Full Body Harness.
  - Minimize swing falls by working as directly below the anchorage point as possible.
  - If training with this device, a secondary fall protection system must be utilized in a manner that does not expose the trainee to an unintended fall hazard.
  - Always wear appropriate personal protective equipment when installing, using, or inspecting the device/system.

Prior to installation and use of this equipment, record the product identification information from the ID label in the Inspection and Maintenance Log (Table 2) at the back of this manual.

Always ensure you are using the latest revision of your 3M instruction manual. Visit the 3M website or contact 3M Technical Services for updated instruction manuals.

**PRODUCT DESCRIPTION:**

Figure 1 illustrates the 3M™ DBI-SALA® Trolley Anchor. The Trolley Anchor is a single point anchorage connector for a Fall Arrest system designed to be installed overhead on the bottom flange of a beam and to roll along a horizontal beam.

Figure 2 illustrates components of the Trolley Anchor. See Table 1 for Component Specifications. The Trolley Anchor is comprised of two Side Plates (A). The Load Bar (B) that connects the Side Plates adjusts to various beam flange widths with Adjuster Dials (C) built into the outside of each Side Plate. The Side Plates can be adjusted by removing the Pull Ring (H) and Clevis Pin (G) and then reinstalling. The four Wheels (D) are intended to roll smoothly along the beam, aided by Bearings (E). The Fall Arrest subsystem connects to the Connector Ring (F) in the center of the Load Bar. A typical Fall Arrest system consists of a Fully Body Harness and an Energy-Absorbing Lanyard or Self-Retracting Device (SRD).

**Table 1 – Specifications**

<b>System Specifications:</b>	
<b>Capacity:</b>	One person with a combined weight (clothing, tools, etc.) of no more than 310 lb. (140 kg) for ANSI, or no more than 420 lb. (191 kg) for OSHA.
<b>Anchorage Strength:</b>	<p>The structure to which the anchorage connector is mounted must be capable of sustaining force in the anticipated directions of loading. See Section 2.1 for values.</p> <p>Only one Fall Arrest system may be attached to an individual Trolley Anchor at a time. The trolley may be used on beam flanges 3.0 in. to 8.0 in. (7.6 cm to 20.3 cm) wide and up to 11/16 in. (1.75 cm) thick. The minimum radius the trolley can follow is 48 in. (122 cm). The beam structure must meet the strength requirements specified in this section. The beam must be horizontal and level.</p> <div style="border: 1px solid black; padding: 2px; margin-top: 5px;"> <input checked="" type="checkbox"/> Loads imposed on the trolley by the Fall Arrest system must remain within 30 degrees of the vertical center line of the beam. See Figure 9 for reference.         </div> <div style="border: 1px solid black; padding: 2px; margin-top: 5px;"> <input checked="" type="checkbox"/> If the user is unable to determine whether the anchorage structure meets product requirements, then the user should either seek a Qualified Person or professional engineer who is able to do so or contact 3M Technical Services.         </div>
<b>Allowable Flange Width:</b>	3.0 in. to 8.0 in. (7.6 cm to 20.3 cm). See Figure 1 for more information.
<b>Allowable Flange Thickness:</b>	≤ 11/16 in (1.75 cm)
<b>Service Temperature:</b>	-40°F (-40°C) Minimum Service Temperature
<b>Minimum Breaking Strength:</b>	5,000 lbf (22 kN) Minimum Breaking Strength
<b>Dimensions:</b>	See Figure 1 for the dimensions of each Trolley Anchor model.
<b>Weight:</b>	15.0 lb. (6.8 kg)
<b>Standards:</b>	<p>The Trolley Anchor has been tested in compliance with the requirements of ANSI Z359.7, in addition to those standards listed on the front cover.</p> <div style="border: 1px solid black; padding: 2px; margin-top: 5px;"> <input checked="" type="checkbox"/> ANSI compliance and testing covers only the product and does not extend to the anchorage structure or substrate to which the product is attached.         </div>

**Component Specifications:**

<b>Figure 2 Reference</b>	<b>Component</b>	<b>Materials (Model 2103147)</b>	<b>Materials (All other models)</b>
(A)	Side Plates	Stainless Steel	Zinc Plated Steel
(B)	Load Bar	Stainless Steel	Alloy Steel
(C)	Adjuster Dials with Adjustment Holes	Stainless Steel	Zinc Plated Steel
(D)	Wheels	Stainless Steel	Zinc Plated Steel (Model 2103149 - Rubber coating on wheels)
(E)	Bearings	Stainless Steel	Stainless Steel
(F)	Connector Ring	Stainless Steel	Zinc Plated Steel
(G)	Clevis Pin	Stainless Steel	Stainless Steel
(H)	Pull Ring	Stainless Steel	Stainless Steel

## 1.0 PRODUCT APPLICATION

- 1.1 PURPOSE:** Anchorage Connectors are designed to provide anchorage connection points for Fall Arrest<sup>1</sup>, Fall Restraint<sup>2</sup>, Work Positioning<sup>3</sup>, or Rescue<sup>4</sup> systems.

**Fall Protection Only:** This Anchorage Connector is for connection of Fall Protection equipment. Do not connect Lifting Equipment to the Anchorage Connector.

- 1.2 STANDARDS:** Your Anchorage Connector conforms to the national or regional standard(s) identified on the front cover of these instructions. If this product is resold outside the original country of destination, the re-seller must provide these instructions in the language of the country in which the product will be used.
- 1.3 SUPERVISION:** Use of this equipment must be supervised by a Competent Person<sup>5</sup>.
- 1.4 TRAINING:** This equipment must be installed and used by persons trained in its correct application. This manual is to be used as part of an employee training program as required by national, regional, or local standards. It is the responsibility of the users and installers of this equipment to ensure they are familiar with these instructions, trained in the correct care and use of this equipment, and are aware of the operating characteristics, application limitations, and consequences of improper use of this equipment.
- 1.5 RESCUE PLAN:** When using this equipment and connecting subsystem(s), the employer must have a rescue plan and the means at hand to implement and communicate that plan to users<sup>6</sup>, authorized persons<sup>7</sup>, and rescuers<sup>8</sup>. A trained, on-site rescue team is recommended. Team members should be provided with the equipment and techniques to perform a successful rescue. Training should be provided on a periodic basis to ensure rescuer proficiency.
- 1.6 AFTER A FALL:** If the product is subjected to fall arrest or impact force, remove the product from service immediately. Clearly tag the product "DO NOT USE". See Section 5 for more information.

## 2.0 SYSTEM REQUIREMENTS

- 2.1 ANCHORAGE:** Anchorage structure requirements vary with the system application and whether it is a certified anchorage<sup>9</sup> or non-certified anchorage<sup>10</sup>. The structure to which a Fall Arrest, Restraint, Work Positioning, or Rescue system is attached must sustain static loads applied in the directions permitted as shown in the following table. Anchorage strength requirements, along with system applications, are specified below, unless noted or defined otherwise in Table 1:

Fall Protection System	Certified Anchorage <sup>9</sup>	Non-Certified Anchorage <sup>10</sup>	Defined by
Fall Arrest	2 times maximum arresting force	5,000 lbf (22.2 kN)	OSHA, ANSI
Restraint/Travel Restraint	2 times foreseeable force	1,000 lbf (4.4 kN) per ANSI 5,000 lbf (22.2 kN) per OSHA	OSHA, ANSI
Work Positioning	2 times foreseeable force	3,000 lbf (13.3 kN)	OSHA, ANSI
Rescue	5 times applied load	3,000 lbf (13.3 kN)	ANSI

When more than one system is attached to an anchorage, the strengths stated above must be multiplied by the number of systems attached to the anchorage. See ANSI Z359.2 for more information.

- 2.2 PERSONAL FALL ARREST SYSTEM:** Figure 1 illustrates the application of this Anchorage Connector. Personal Fall Arrest Systems (PFAS) used with the system must meet applicable Fall Protection standards, codes, and requirements. The PFAS must incorporate a Full Body Harness and limit Arresting Force to the following values:

	Maximum Arresting Force	Free Fall
PFAS with Shock Absorbing Lanyard	1800 lbf (8 kN)	Refer to the instruction(s) included with your Lanyard or SRD for Free Fall limitations.
PFAS with Self Retracting Device (SRD)	1800 lbf (8 kN)	

- 2.3 FALL PATH AND SRD LOCKING SPEED:** A clear path is required to assure positive locking of an SRD. Situations which do not allow for an unobstructed fall path should be avoided. Working in confined or cramped spaces may not allow the body to reach sufficient speed to cause the SRD to lock if a fall occurs. Working on slowly shifting material, such as sand or grain, may not allow enough speed buildup to cause the SRD to lock.

- 1 Fall Arrest System:** A collection of Fall Protection Equipment configured to arrest a free fall. Protects the user in the event of a fall. Free fall is permitted up to the limits allowed by the connecting device (either an Energy Absorbing Lanyard or Self-Retracting Device (SRD)).
- 2 Restraint System:** A collection of Fall Protection Equipment configured to prevent the person's center of gravity from reaching a fall hazard. Prevents the user from reaching a hazard. No vertical free fall is permitted.
- 3 Work Positioning System:** A collection of Fall Protection Equipment configured to support a user at a work position. Must include a back-up personal fall arrest system. Maximum permissible free fall is 2 feet.
- 4 Rescue System:** A collection of Fall Protection Equipment configured to remove a person from danger, harm, or confinement to a safe location. No vertical free fall is permitted.
- 5 Competent Person:** One who is capable of identifying existing and predictable hazards in the surroundings or working conditions which are unsanitary, hazardous, or dangerous to employees, and who has authorization to take prompt corrective measures to eliminate them.
- 6 User:** A person who performs activities while protected by a Fall Protection system.
- 7 Authorized Person:** A person assigned by the employer to perform duties at a location where the person will be exposed to a fall hazard.
- 8 Rescuer:** Person or persons other than the rescue subject acting to perform an assisted rescue by operation of a rescue system.
- 9 Certified Anchorage:** An anchorage for fall arrest, positioning, restraint, or rescue systems that a Qualified Person certifies to be capable of meeting the criteria for a certified anchorage according to Section 2.1.
- 10 Non-Certified Anchorage:** A fall arrest anchorage that a Competent Person can judge to be capable of supporting the predetermined anchorage forces listed in Section 2.1.



- 2.4 HAZARDS:** Use of this equipment in areas with environmental hazards may require additional precautions to prevent injury to the user or damage to the equipment. Hazards may include, but are not limited to: heat, chemicals, corrosive environments, high voltage power lines, explosive or toxic gases, moving machinery, sharp edges, or overhead materials that may fall and contact the user or Personal Fall Arrest System.
- 2.5 FALL CLEARANCE:** Figure 3 illustrates the components of a Fall Arrest. There must be sufficient Fall Clearance (FC) to arrest a fall before the user strikes the ground or other obstruction. Clearance is affected by a number of factors including: Anchorage Location, (A) Lanyard Length, (B) Lanyard Deceleration Distance or SRD Maximum Arrest Distance, (C) Harness Stretch and D-Ring/Connector Length and Settling. Refer to the instructions included with your Fall Arrest subsystem for specifics regarding Fall Clearance calculation.
- 2.6 SWING FALLS:** Swing Falls occur when the anchorage point is not directly above the point where a fall occurs (see Figure 4). The force of striking an object in a swing fall may cause serious injury or death. Minimize swing falls by working as directly below the anchorage point as possible. Do not permit a swing fall if injury could occur. Swing falls will significantly increase the clearance required when a Self-Retracting Device or other variable length connecting subsystem is used.
- 2.7 COMPONENT COMPATIBILITY:** 3M equipment is designed for use with 3M approved components and subsystems only. Substitutions or replacements made with non-approved components or subsystems may jeopardize compatibility of equipment and may affect the safety and reliability of the complete system.
- 2.8 CONNECTOR COMPATIBILITY:** Connectors are considered to be compatible with connecting elements when they have been designed to work together in such a way that their sizes and shapes do not cause their gate mechanisms to inadvertently open regardless of how they become oriented. Contact 3M if you have any questions about compatibility. Connectors (hooks, carabiners, and D-rings) must be capable of supporting at least 5,000 lbf (22.2 kN). Connectors must be compatible with the anchorage or other system components. Do not use equipment that is not compatible. Non-compatible connectors may unintentionally disengage (see Figure 5). Connectors must be compatible in size, shape, and strength. If the connecting element to which a snap hook or carabiner attaches is undersized or irregular in shape, a situation could occur where the connecting element applies a force to the gate of the snap hook or carabiner (A). This force may cause the gate to open (B), allowing the snap hook or carabiner to disengage from the connecting point (C). Self-locking snap hooks and carabiners are required by ANSI Z359 and OSHA.
- 2.9 MAKING CONNECTIONS:** Snap hooks and carabiners used with this equipment must be self-locking. Ensure all connections are compatible in size, shape and strength. Do not use equipment that is not compatible. Ensure all connectors are fully closed and locked. 3M connectors (snap hooks and carabiners) are designed to be used only as specified in each product's user's instructions. See Figure 6 for examples of inappropriate connections. Do not connect snap hooks and carabiners:
- A. To a D-ring to which another connector is attached.
  - B. In a manner that would result in a load on the gate. Large throat snap hooks should not be connected to standard size D-rings or similar objects which will result in a load on the gate if the hook or D-ring twists or rotates, unless the snap hook complies is equipped with a 3,600 lbf (16 kN) gate. Check the marking on your snap hook to verify that it is appropriate for your application.
  - C. In a false engagement, where features that protrude from the snap hook or carabiner catch on the anchor, and without visual confirmation seems to be fully engaged to the anchor point.
  - D. To each other.
  - E. Directly to webbing or rope lanyard or tie-back (unless the manufacturer's instructions for both the lanyard and connector specifically allows such a connection).
  - F. To any object which is shaped or dimensioned such that the snap hook or carabiner will not close and lock, or that roll-out could occur.
  - G. In a manner that does not allow the connector to align properly while under load.

### 3.0 INSTALLATION

*The owner of this equipment may contact 3M Technical Services with any questions regarding equipment installation, use, or inspection.*

*Installation of the DBI-SALA Trolley Anchor must be performed or supervised by a Competent Person<sup>1</sup>.*

**3.1 PLANNING:** Plan your Fall Protection system prior to installation of the Trolley Anchor. Account for all factors that may affect your safety before, during, and after a fall. Consider all requirements, limitations, and specifications defined in Section 2 and Table 1.

*3M shall make available upon request information that is necessary for the design and planning of systems.*

**3.2 SELECTING AN ANCHORAGE BEAM:** The Trolley Anchor may be installed on horizontal and level beams meeting the anchorage requirements specified in Table 1. The beam must have End Stops (A) at each end to prevent the trolley from rolling off the beam. See Figure 10 for reference. The end stops must be sized and positioned such that they are able to safely stop the trolley. The trolley should not catch or hang on the end stop; the trolley must be able to freely return in the opposite direction after touching the end stop.

*Joints between beam sections must be flush to allow the Trolley Anchor to pass over smoothly.*

**3.3 INSTALLING THE TROLLEY ANCHOR:** The Trolley Anchor can be installed on beams meeting the anchorage requirements specified in Table 1. See Figure 1 for the Beam Trolley measurements. Figure 7 illustrates installation of the Trolley Anchor. To install the Trolley Anchor:

1. Measure the beam flange width to determine the Adjustment Hole settings on the Trolley. Figure 7.1 and Table 2 illustrate the hole positions on the left and right Adjuster Dials and the Load Bar that correspond with Table 2. Record these Adjustment Hole settings and use them for Step 3 and 4.
2. To open one side of the trolley, remove the Pull Ring from the Clevis Pin and pull the Clevis Pin up out of the Adjuster Dial. Slide the Side Plate off the Load Bar.
3. On the still assembled side of the Trolley, remove the Pull Ring and Clevis Pin from the Side Plate, and adjust the width to the required Adjustment Hole settings determined in Step 1 and from Table 2. Lock the adjustment into place by re-installing the Clevis Pin vertically with the Clevis Pin Head on top through the appropriate Adjustment Dial and Load Bar holes and installing the Pull Ring.
4. Place the partially assembled Side Plate and Load Bar onto the bottom flange of the beam with the Connector Ring hanging down. Slide the un-assembled Side Plate onto the Load Bar and align with the required Adjuster Dial and Load Bar holes as determined in Step 1. Install a Clevis Pin vertically, with the Clevis Pin head on top, through the Adjuster Dial and Load Bar holes and secure with the Pull Ring.

*Trolley width settings specified in Table 2 must be followed. Adjustments on the Load Bar must use the same setting on both sides (e.g. A - A, B - B, etc.). Adjustments on the Adjuster Dial must be within one unit. Failure to use correct settings may improperly load the Trolley. If the beam flange is too wide to install the Clevis Pin through the correct holes, adjust the Trolley to the next larger beam flange size as specified in Table 2. The D-Ring must always be centered between the two Side Plates.*

5. Confirm the distance from the Trolley Wheel face (C) to the edge of the beam flange (D) is no more than 1/16 in. (1.6 mm). If the distance is greater than 1/16 in. (1.6 mm), change the Adjuster Dials to the next narrower setting in Table 2. Also, visually confirm the Clevis Pins (A) are installed with the pin heads on top of the Adjuster Dials and that the Pull Rings (B) are fully installed through the Clevis Pin holes.

*If the trolley is moved to another beam, or if the Pull Rings are removed, the circle type pull rings are reusable. If a cotter pin is used, a new cotter pin is to be used for each new installation. Use 5/64 x 3/4", 18-8 stainless steel Pull Rings or Pivot Point bow-tie™ clip Pull Rings. If you are using Pivot Point bow-tie™ clips, they are also reusable. Only use the original clevis pins. Do not make substitutes.*

### 4.0 USE

**4.1 BEFORE EACH USE:** Verify that your work area and Fall Arrest system meet all criteria defined in these instructions. Verify that a formal Rescue Plan is in place. Inspect the product per the 'User' inspection points defined in the "Inspection and Maintenance Log". If inspection reveals an unsafe or defective condition, or if there is any doubt about its condition for safe use, remove the product from service immediately. Clearly tag it "DO NOT USE". See Section 5 for more information.

**4.2 FALL ARREST CONNECTIONS:** The Trolley Anchor is used with a Full Body Harness and Energy Absorbing Lanyard or Self-Retracting Device (SRD). Figure 9 illustrates connection of the Lanyard (A) or SRD (B) between the Harness and Trolley Anchor. Connect the Lanyard or SRD between the D-Ring on the Trolley Anchor and the back Dorsal D-Ring on the Harness as instructed in the instructions included with the Lanyard or SRD.

**Horizontal Lifeline Connections:** *The Beam Trolley Anchor cannot be used as an end anchor point for a Horizontal Lifeline (HLL).*

**1 Qualified Person:** An individual with a recognized degree or professional certificate, and extensive experience in Fall Protection. This individual must be capable of design, analysis, evaluation, and specification in Fall Protection.

**2 Competent Person:** One who is capable of identifying existing and predictable hazards in the surroundings or working conditions which are unsanitary, hazardous, or dangerous to employees, and who has authorization to take prompt corrective measures to eliminate them.

## 5.0 INSPECTION

After equipment has been removed from service, it may not be returned to service until a Competent Person confirms in writing that it is acceptable to do so.

- 5.1 INSPECTION FREQUENCY:** The product shall be inspected before each use by an authorized person and, additionally, by a Competent Person other than the user at intervals of no longer than one year. A higher frequency of equipment use and harsher conditions may require increasing the frequency of Competent Person inspections. The frequency of these inspections should be determined by the Competent Person per the specific conditions of the worksite.
- 5.2 INSPECTION PROCEDURES:** Inspect this product per the procedures listed in the "Inspection and Maintenance Log". Documentation of each inspection should be maintained by the owner of this equipment. An inspection and maintenance log should be placed near the product or be otherwise easily accessible to users. It is recommended that the product is marked with the date of next or last inspection.

Alternative inspection criteria may be set by the owner of this equipment. Alternative criteria must be equal to or exceed those established by 3M in the "Inspection and Maintenance Log" and other official documents.

- 5.3 DEFECTS:** If the product cannot be returned to service because of an existing defect or unsafe condition, or because it has been subjected to a fall arrest, either destroy the product or contact 3M regarding possible replacement or repair.
- 5.4 PRODUCT LIFE:** The functional life of the product is determined by work conditions and maintenance. As long as the product passes inspection criteria, it may remain in service.

## 6.0 MAINTENANCE, SERVICE, and STORAGE

Equipment that is in need of maintenance or scheduled for maintenance should be tagged "DO NOT USE". These equipment tags should not be removed until maintenance is performed.

- 6.1 CLEANING:** Periodically clean the metal components of the Trolley Anchor with a soft brush, warm water, and a mild soap solution. Ensure parts are thoroughly rinsed with clean water.
- 6.2 SERVICE:** Only 3M or parties authorized in writing by 3M may make repairs to this equipment.
- 6.3 STORAGE AND TRANSPORT:** When not in use, store and transport the Trolley Anchor and associated Fall Protection equipment in a cool, dry, clean environment out of direct sunlight. Avoid areas where chemical vapors may exist. Thoroughly inspect components after extended storage.

## 7.0 RFID TAG

- 7.1 LOCATION:** 3M product covered in these user instructions is equipped with a Radio Frequency Identification (RFID) Tag. RFID Tags may be used in coordination with an RFID Tag Scanner for recording product inspection results. See Figure 11 for where your RFID Tag is located.
- 7.2 DISPOSAL:** Prior to disposing of this product, remove the RFID Tag and dispose/recycle in accordance with local regulations. For more information, please visit our website: <http://www.3M.com/FallProtection/RFID>

## 8.0 LABELS and MARKINGS

- 8.1 LABELS:** Figure 12 illustrates labels on the Trolley Anchor. All labels must be present and fully legible. Information provided on each label is as follows:

<b>A</b>	1) Company Website 2) Warning Statement 3) Manufactured (Year/Month) and Lot Number 4) Model Number 5) Product Specifications 6) Applicable Standards
<b>B</b>	1) Company Website 2) Inspection Requirements - See Section 5 for more information. 3) Minimum Breaking Strength and Minimum Service Temperature 4) Inspection Log
<b>C</b>	1) Company Website 2) Warning Statement 3) Manufactured (Year/Month) and Lot Number 4) Model Number 5) Product Specifications

**Table 2 - Trolley Width Adjustment**

<b>Beam Flange Width in inches (mm)</b>		<b>Load Bar Holes (Both Sides)</b>	<b>Left Adjuster Dial Hole</b>	<b>Right Adjuster Dial Hole</b>
<b>From</b>	<b>Up to, but not including</b>			
3.0 (76.2)	3.13 (79.38)	D	1	1
3.13 (79.38)	3.25 (82.55)	D	1	2
3.25 (82.55)	3.38 (85.73)	D	2	2
3.38 (85.73)	3.50 (88.90)	D	2	3
3.50 (88.90)	3.63 (92.08)	D	3	3
3.63 (92.08)	3.75 (95.25)	D	3	4
3.75 (95.25)	3.88 (98.43)	D	4	4
3.88 (98.43)	4.0 (101.40)	D	4	5
4.0 (101.40)	4.13 (104.78)	D	5	5
4.13 (104.78)	4.25 (107.95)	D	5	6
4.25 (107.95)	4.38 (111.13)	C	1	1
4.38 (111.13)	4.5 (114.3)	C	1	2
4.5 (114.3)	4.63 (117.48)	C	2	2
4.63 (117.48)	4.75 (120.65)	C	2	3
4.75 (120.65)	4.88 (123.83)	C	3	3
4.88 (123.83)	5.0 (127.0)	C	3	4
5.0 (127.0)	5.13 (130.18)	C	4	4
5.13 (130.18)	5.25 (133.35)	C	4	5
5.25 (133.35)	5.38 (136.53)	C	5	5
5.38 (136.53)	5.5 (139.7)	C	5	6
5.5 (139.7)	5.63 (142.88)	B	1	1
5.63 (142.88)	5.75 (146.05)	B	1	2
5.75 (146.05)	5.88 (149.23)	B	2	2
5.88 (149.23)	6.0 (152.4)	B	2	3
6.0 (152.4)	6.13 (155.58)	B	3	3
6.13 (155.58)	6.25 (158.75)	B	3	4
6.25 (158.75)	6.38 (161.93)	B	4	4
6.38 (161.93)	6.5 (165.1)	B	4	5
6.5 (165.1)	6.63 (168.28)	B	5	5
6.63 (168.28)	6.75 (171.45)	B	5	6
6.75 (171.45)	6.88 (174.63)	A	1	1
6.88 (174.63)	7.0 (177.8)	A	1	2
7.0 (177.8)	7.13 (180.98)	A	2	2
7.13 (180.98)	7.25 (184.15)	A	2	3
7.25 (184.15)	7.38 (187.33)	A	3	3
7.38 (187.33)	7.5 (190.5)	A	3	4
7.5 (190.5)	7.63 (193.68)	A	4	4
7.63 (193.68)	7.75 (196.85)	A	4	5
7.75 (196.85)	7.88 (200.03)	A	5	5
7.88 (200.03)	8.0 (203.2)	A	5	6
8.0 (203.2)	---	A	6	6



## INFORMATION DE SÉCURITÉ

**Veillez lire, comprendre et suivre toutes les informations de sécurité contenues dans ces instructions avant d'utiliser ce connecteur d'ancrage. LE NON-RESPECT DE CES INSTRUCTIONS PEUT ENTRAÎNER DES BLESSURES GRAVES, VOIRE LA MORT.**

**Ces instructions doivent être transmises à l'utilisateur de cet équipement. Veillez conserver ces instructions pour une utilisation ultérieure.**

### Utilisation prévue :

Ce connecteur d'ancrage est prévu pour être utilisé comme partie intégrante d'un système de protection antichute personnel complet.

L'utilisation dans le cadre d'autres applications comme, sans en exclure d'autres, des activités récréatives ou liées au sport, ou d'autres activités non décrites dans les instructions destinées à l'utilisateur, n'est pas approuvée par 3M et peut entraîner des blessures graves voire la mort.

Ce dispositif doit être utilisé uniquement par des usagers formés sur les applications du lieu de travail.

## AVERTISSEMENT

Ce connecteur d'ancrage fait partie intégrante d'un système de protection antichute personnel complet. Il est attendu que tous les usagers sont entièrement formés sur l'installation sécuritaire et le fonctionnement de leur système de protection antichute personnel. **Une mauvaise utilisation de ce dispositif peut entraîner des blessures graves, voire la mort.** Pour s'assurer d'un choix, d'un fonctionnement, d'une installation, de travaux d'entretien et de réparation appropriés, reportez-vous à ces instructions de l'utilisateur ainsi qu'à toutes les recommandations du fabricant, consultez votre superviseur ou communiquez avec les services techniques de 3M.

- **Pour réduire les risques associés au travail en hauteur avec un connecteur d'ancrage qui, s'ils ne sont pas évités, pourraient entraîner de graves blessures, voire la mort :**
  - Inspectez le dispositif avant chaque utilisation, au moins annuellement, et après chaque cas de chute. Réalisez l'inspection conformément aux instructions de l'utilisateur.
  - Si l'inspection révèle l'existence d'une défectuosité ou d'un problème affectant la sécurité, mettez l'équipement hors service et faites-le réparer ou remplacez-le conformément à ces instructions.
  - Tout dispositif ayant été soumis à un arrêt de chute ou à une force d'impact doit être immédiatement retiré du service et détruit.
  - Ce dispositif ne doit être installé que sur les structures ou dans les substrats spécifiés, comme il est précisé dans les instructions de l'utilisateur. Toute installation ou utilisation qui est hors de la portée de ces instructions doit être approuvée par le service de protection antichute de 3M.
  - La structure ou le substrat auquel le connecteur d'ancrage est fixé doit pouvoir résister aux charges statiques précisées pour le dispositif d'ancrage dans les sens permis indiqués dans les instructions de l'utilisateur.
  - Ne connectez les autres sous-systèmes de protection antichute qu'au point de connexion d'ancrage désigné sur le dispositif.
  - Avant de procéder au perçage ou à une fixation, assurez-vous que la perceuse ou le dispositif n'entrera pas en contact avec des lignes électriques, des conduites de gaz ou d'autres systèmes intégrés critiques.
  - Assurez-vous que les systèmes/sous-systèmes de protection antichute assemblés à partir de composants fabriqués par différents fabricants sont compatibles et répondent aux exigences des normes applicables, y compris la norme ANSI Z359 ou d'autres codes, normes ou exigences de protection antichute applicables. Consultez toujours une personne qualifiée ou compétente avant d'utiliser ces systèmes.
- **Pour réduire les risques associés au travail en hauteur qui, s'ils ne sont pas évités, pourraient entraîner des blessures graves, voire la mort :**
  - Assurez-vous que votre condition physique et votre état de santé vous permettent de supporter en toute sécurité toutes les forces associées au travail en hauteur. Consultez votre médecin en cas de questions sur votre capacité à utiliser cet équipement.
  - Ne dépassez jamais la capacité maximale permise de votre équipement de protection antichute.
  - Ne dépassez jamais la distance maximale de chute libre de votre équipement de protection antichute.
  - N'utilisez jamais un équipement de protection antichute qui échoue à une inspection préalable à son utilisation ou à toute autre inspection programmée ou encore si vous vous inquiétez de l'utilisation ou de la pertinence de l'équipement pour votre application. En cas de questions, n'hésitez pas à communiquer avec les services techniques de 3M.
  - Certaines combinaisons de sous-systèmes et de composants peuvent gêner le fonctionnement de cet équipement. N'utilisez que des connecteurs compatibles. Consultez 3M avant d'employer cet équipement conjointement avec des composants ou des sous-systèmes autres que ceux décrits dans les instructions à l'utilisateur.
  - Prenez des précautions supplémentaires lorsque vous travaillez à proximité d'une machinerie mobile (p. ex. l'entraînement supérieur d'une plateforme pétrolière), risques électriques, températures extrêmes, risques chimiques, gaz explosifs ou toxiques, bords tranchants ou matériaux en suspension pouvant endommager l'utilisateur ou l'équipement.
  - Lorsque vous travaillez dans un environnement où la chaleur est élevée, utilisez des appareils dont l'usage se fait en environnement chaud ou en présence d'arc électrique.
  - Évitez les surfaces et les objets qui pourraient endommager l'équipement de l'utilisateur.
  - Lorsque vous travaillez en hauteur, vérifiez d'abord que la distance d'arrêt est adéquate.
  - Ne modifiez jamais votre équipement de protection antichute. Seules 3M ou les parties autorisées par écrit par 3M sont en droit d'effectuer des réparations sur cet équipement.
  - Avant d'utiliser un équipement de protection antichute, assurez-vous qu'un plan de sauvetage est en place et permet un sauvetage rapide en cas de chute.
  - Si un tel incident devait se produire, obtenez des soins médicaux immédiats pour le travailleur tombé.
  - N'utilisez pas de ceinture de travail dans les applications de protection antichute. N'utilisez qu'un harnais de sécurité complet.
  - Vous pouvez réduire les chutes oscillantes en travaillant aussi près que possible de l'ancrage.
  - Si ce dispositif est utilisé en formation, un second système de protection antichute doit être utilisé aussi de façon à ne pas exposer le stagiaire à un danger de chute involontaire.
  - Portez toujours un équipement de protection individuelle approprié lors de l'installation, de l'utilisation ou de l'inspection du dispositif/système.

Avant d'installer et d'utiliser ce matériel, consigner l'information d'identification de produit de l'étiquette d'identification dans le Registre d'inspection et d'entretien (tableau 2) à la fin de ce manuel.

Toujours s'assurer d'utiliser la dernière révision du manuel d'utilisation de 3M. Consulter le site Web de 3M ou communiquer avec le Service technique de 3M pour obtenir des manuels d'utilisation mis à jour.

### DESCRIPTION DU PRODUIT :

La figure 1 illustre l'ancrage à chariot DBI-SALA® 3M<sup>MC</sup>. L'ancrage à chariot est un connecteur d'ancrage à un seul point conçu pour un système antichute; il doit être installé en hauteur sur la bride inférieure d'une poutre et doit rouler le long d'une poutre horizontale.

La figure 2 illustre les composants de l'ancrage à chariot. Consulter le tableau 1 pour les spécifications des composants. L'ancrage à chariot est composé de deux plaques latérales (A). La traverse support (B) qui connecte les plaques latérales s'ajuste à différentes largeurs de brides de poutre à l'aide de boutons de réglage (C) intégrés sur la face extérieure de chaque plaque latérale. Les plaques latérales s'ajustent en enlevant l'anneau de traction (H) et l'axe à épaulement (G), puis en les réinstallant. Les quatre roues (D) sont conçues pour rouler en douceur le long de la poutre à l'aide de paliers (E). Le sous-système antichute se connecte à l'anneau connecteur (F) au centre de la traverse support. Un système antichute typique est composé d'un harnais de sécurité complet et d'une longue amortisseur de choc ou d'un dispositif autorétractable.

**Tableau 1 – Spécifications**

Spécifications du système :			
<b>Capacité :</b>	Une seule personne dont le poids combiné (vêtements, outils, etc.) est d'au plus 140 kg (310 lb) pour l'ANSI ou d'au plus 191 kg (420 lb) pour l'OSHA.		
<b>Résistance d'ancrage :</b>	<p>La structure à laquelle le connecteur d'ancrage est fixé doit être en mesure de supporter la force appliquée, dans le sens de chargement anticipé. Voir la section 2.1 pour connaître les valeurs.</p> <p>Un ancrage à chariot individuel ne peut accueillir qu'un seul système antichute à la fois. Le chariot peut être utilisé sur des brides de poutre d'une largeur allant de 7,6 à 20,3 cm (3,0 à 8,0 po) et d'une épaisseur allant jusqu'à 1,75 cm (11/16 po). Le rayon minimal que peut suivre le chariot est de 122 cm (48 po). La structure de la poutre doit respecter les exigences en matière de résistance indiquées dans la présente section. La poutre doit être horizontale et à niveau.</p> <p><input checked="" type="checkbox"/> Les charges imposées sur le chariot par le système antichute doivent rester dans une limite de 30 degrés par rapport à la ligne centrale verticale de la poutre. Voir la figure 9 aux fins de référence.</p> <p><input checked="" type="checkbox"/> Si l'utilisateur n'est pas en mesure de déterminer si la structure de l'ancrage répond aux exigences du produit, il doit alors trouver une personne qualifiée ou un ingénieur professionnel en mesure de le faire ou communiquer avec le Service technique de 3M.</p>		
<b>Largeur de bride permise :</b>	7,6 à 20,3 cm (3,0 à 8,0 po). Voir la figure 1 pour obtenir de plus amples renseignements.		
<b>Épaisseur de bride permise :</b>	≤ 1,75 cm (11/16 po)		
<b>Températures de service :</b>	Température de service minimale de -40 °C (-40 °F)		
<b>Force de rupture minimale :</b>	22 kN (5 000 lb)		
<b>Dimensions :</b>	Voir la figure 1 pour connaître les dimensions de chaque modèle d'ancrage à chariot.		
<b>Poids :</b>	6,8 kg (15,0 lb)		
<b>Normes :</b>	<p>L'ancrage à chariot a été mis à l'essai conformément aux exigences de la norme Z359.7 de l'ANSI en plus des normes indiquées sur la couverture.</p> <p><input checked="" type="checkbox"/> La conformité aux normes de l'ANSI et les essais en vertu de ces dernières ne couvrent que le produit et ne s'étendent pas à la structure d'ancrage ou au substrat auquel le produit est fixé.</p>		
Spécifications des composants :			
Figure 2 Référence	Composant	Matériaux (Modèle 2103147)	Matériaux (Tous les autres modèles)
(A)	Plaques latérales	Acier inoxydable	Acier zingué
(B)	Traverse support	Acier inoxydable	Alliage d'acier
(C)	Boutons de réglage et trous de réglage	Acier inoxydable	Acier zingué
(D)	Roues	Acier inoxydable	Acier zingué (Modèle 2103149 – Roues avec revêtement en caoutchouc)
(E)	Paliers	Acier inoxydable	Acier inoxydable
(F)	Anneau connecteur	Acier inoxydable	Acier zingué
(G)	Axe à épaulement	Acier inoxydable	Acier inoxydable
(H)	Anneau de traction	Acier inoxydable	Acier inoxydable

## 1.0 APPLICATION DU PRODUIT

**1.1 OBJECTIF :** Les connecteurs d'ancrage sont conçus pour fournir des points de raccordement d'ancrage pour les systèmes antichute<sup>1</sup>, systèmes de restriction du déplacement<sup>2</sup>, système de positionnement pour le travail<sup>3</sup> ou systèmes de sauvetage.

**Pour la protection contre les chutes seulement :** Ce connecteur d'ancrage est conçu pour le raccordement du matériel de protection contre les chutes. Ne pas raccorder de matériel de levage au connecteur d'ancrage.

**1.2 NORMES :** Votre connecteur d'ancrage est conforme à la ou aux normes nationales ou régionales identifiées sur la couverture avant de ces directives. Si ce produit est revendu en dehors du pays d'origine de destination, le revendeur doit fournir ces directives dans la langue du pays dans lequel le produit est utilisé.

**1.3 SUPERVISION :** L'utilisation de ce matériel doit être supervisée par une personne compétente<sup>5</sup>.

**1.4 FORMATION :** Ce matériel doit être installé et utilisé par des personnes formées pour que son application soit appropriée. Ce manuel doit être utilisé dans le cadre d'un programme de formation pour les employés, comme l'exigent les normes nationales, régionales ou locales. L'utilisateur et l'installateur de ce matériel sont tenus de se familiariser avec les présentes directives, de suivre une formation afin de maintenir et d'utiliser correctement ce matériel et de bien connaître les caractéristiques opérationnelles, les limites des applications ainsi que les conséquences d'une utilisation inappropriée de ce matériel.

**1.5 PLAN DE SAUVETAGE :** Pour l'utilisation de ce matériel et des sous-systèmes de connexion, l'employeur doit avoir un plan de sauvetage et les moyens de le mettre en œuvre et de le communiquer aux utilisateurs<sup>6</sup>, aux personnes autorisées<sup>7</sup> et aux sauveteurs<sup>8</sup>. Il est conseillé d'avoir une équipe de sauvetage formée présente sur place. Les membres de l'équipe doivent disposer du matériel et de l'équipement, ainsi que des connaissances techniques nécessaires pour accomplir un sauvetage réussi. La formation doit être répétée régulièrement afin d'assurer l'efficacité des sauveteurs.

**1.6 APRÈS UNE CHUTE :** Si le produit a été soumis à une force d'arrêt de chute ou d'impact, le mettre hors service immédiatement. Indiquer clairement « NE PAS UTILISER » sur le produit. Consulter la section 5 pour obtenir de plus amples renseignements.

## 2.0 EXIGENCES DU SYSTÈME

**2.1 ANCRAGE :** Les exigences de structure d'ancrage varient selon l'application du système et le fait qu'il s'agisse d'un ancrage homologué<sup>9</sup> ou d'un ancrage non homologué<sup>10</sup>. La structure à laquelle est fixé le système antichute, de restriction du déplacement, de positionnement pour le travail ou de sauvetage doit supporter des charges statiques appliquées dans les directions autorisées, comme l'indique le tableau suivant. Les exigences de résistance d'ancrage, de même que les applications du système, sont détaillées ci-dessous, sauf si elles sont notées ou définies dans le tableau 1 :

Systèmes de protection contre les chutes	Ancrage homologué <sup>9</sup>	Ancrage non homologué <sup>10</sup>	Défini par
Système antichute	Deux fois la force d'arrêt maximale	22,2 kN (5 000 lbf)	OSHA, ANSI
Dispositif de retenue/ restriction du déplacement	Deux fois la force d'arrêt prévisible	4,4 kN (1 000 lb) selon l'ANSI 22,2 kN (5 000 lb) selon l'OSHA	OSHA, ANSI
Positionnement de travail	Deux fois la force d'arrêt prévisible	13,3 kN (3 000 lbf)	OSHA, ANSI
Sauvetage	Cinq fois la charge appliquée	13,3 kN (3 000 lbf)	ANSI

Lorsque plusieurs équipements sont fixés à un ancrage, les forces indiquées ci-dessus doivent être multipliées par le nombre d'équipements de sauvetage fixés à l'ancrage. Consultez la norme Z359.2 de l'ANSI pour de plus amples informations.

**1 Système antichute :** Ensemble de matériel de protection contre les chutes configuré pour arrêter une chute libre. Protège l'utilisateur en cas de chute. La distance en chute libre admissible se limite à celle permise par le dispositif de raccordement (qu'il s'agisse d'une longue amortisseur de choc ou d'un dispositif autorétractable).

**2 Système de restriction du déplacement :** Ensemble de matériel de protection contre les chutes configuré pour empêcher que le centre de gravité de la personne se retrouve en danger de chute. Empêche l'utilisateur de se retrouver en danger de chute. Aucune chute libre verticale n'est possible.

**3 Système de positionnement pour le travail :** Ensemble de matériel de protection contre les chutes configuré pour supporter un utilisateur dans une position de travail. Doit comporter un système antichute individuel. La distance en chute libre maximale autorisée est de 2 pieds.

**4 Système de sauvetage :** Ensemble de matériel de protection contre les chutes configuré pour extraire une personne d'une situation dangereuse, lui éviter des blessures ou la confiner dans un endroit sûr. Aucune chute libre verticale n'est possible.

**5 Personne compétente :** Personne capable de reconnaître les dangers existants et prévisibles au sein du milieu de travail ou les conditions de travail insalubres, risquées ou dangereuses pour les employés, et qui possède l'autorisation d'apporter des mesures correctives pour les éliminer.

**6 Utilisateur :** Une personne qui réalise des activités tout en étant protégée par un système de protection contre les chutes.

**7 Personne autorisée :** Une personne affectée par l'employeur et chargée d'exécuter des travaux à un emplacement qui l'expose à un danger de chute.

**8 Sauveteur :** Toute personne autre que la personne secourue effectuant un sauvetage assisté à l'aide d'un système de sauvetage.

**9 Ancrage homologué :** Un ancrage pour les systèmes antichute, de positionnement, de restriction du déplacement ou de sauvetage qu'une personne qualifiée juge capable de satisfaire aux critères en matière d'ancrage homologué conformément à la section 2.1.

**10 Ancrage non homologué :** Un ancrage pour un système antichute qu'une personne compétente peut juger capable de supporter les forces d'ancrage prédéterminées énumérées à la section 2.1.



**2.2 SYSTÈME ANTICHUTE INDIVIDUEL :** La figure 1 illustre l'utilisation de ce connecteur d'ancrage. Les systèmes antichute individuels utilisés avec ce système doivent être conformes aux normes, aux codes et aux exigences applicables en matière de protection contre les chutes. Le système antichute individuel devra comporter un harnais de sécurité complet et limiter la force d'arrêt conformément aux valeurs suivantes :

	Force d'arrêt maximale	Chute libre
<b>Système antichute individuel avec longe amortisseur de choc</b>	8 kN (1800 lbf)	<i>Consulter les directives incluses avec la longe ou le dispositif autorétractable pour obtenir de plus amples renseignements sur les limites associées aux chutes libres.</i>
<b>Système antichute individuel avec dispositif autorétractable</b>	8 kN (1800 lbf)	

**2.3 TRAJECTOIRE DE CHUTE ET VITESSE DE BLOCAGE DU DISPOSITIF AUTORÉTRACTABLE :** Une trajectoire de chute non obstruée est nécessaire pour que le dispositif autorétractable se bloque normalement. Les situations sans trajectoire de chute non obstruée doivent être évitées. Lorsqu'une personne travaille dans un espace réduit ou étroit, il est possible qu'en cas de chute, le corps ne puisse pas atteindre une vitesse suffisante pour que le dispositif autorétractable se bloque. De même, il est possible qu'une personne travaillant sur un matériau instable, comme du sable ou du grain, ne puisse pas chuter à une vitesse suffisante pour bloquer le dispositif autorétractable.

**2.4 DANGERS :** L'utilisation de ce matériel dans des zones de dangers environnementaux peut exiger de prendre des précautions additionnelles afin d'éviter que l'utilisateur ne se blesse ou que le matériel ne subisse des dommages. Les dangers peuvent comprendre, notamment et sans limitation : la chaleur, les produits chimiques, les environnements corrosifs, les lignes électriques à haute tension, les gaz explosifs ou toxiques, de la machinerie en mouvement, les bords acérés ou les matériaux suspendus pouvant tomber et entrer en contact avec l'utilisateur ou le système antichute individuel.

**2.5 DÉGAGEMENT DE CHUTE :** La figure 3 illustre les composants du dispositif antichute. Le dégagement de chute (DC) sous l'utilisateur doit être suffisant pour arrêter la chute avant qu'il n'entre en contact avec le sol ou tout autre obstacle. Le dégagement est affecté par un certain nombre de facteurs, notamment : emplacement de l'ancrage, (A) longueur de la longe, (B) distance de décélération de la longe ou distance d'arrêt maximale du dispositif autorétractable (C) étirement du harnais et affaissement et longueur de l'anneau en D/du connecteur. Se reporter aux directives fournies avec le sous-système antichute pour de plus amples détails sur le calcul du dégagement de chute.

**2.6 CHUTES AVEC MOUVEMENT DE BALANCIER :** Les chutes avec mouvement de balancier se produisent lorsque le point d'ancrage ne se trouve pas directement au-dessus du point où une chute se produit (voir la figure 4). Si un objet est heurté pendant le mouvement de balancier, la force peut être importante et causer des blessures graves ou la mort. Minimiser les risques de chutes avec mouvement de balancier en travaillant le plus directement possible sous le point d'ancrage. Éviter toute chute avec mouvement de balancier s'il y a un risque de blessure. Les chutes avec mouvement de balancier requièrent une plus grande distance d'arrêt lors de l'utilisation d'un dispositif autorétractable ou de tout autre sous-système de connexion à longueurs variables.

**2.7 COMPATIBILITÉ DES COMPOSANTS :** Le matériel 3M est destiné à être utilisé uniquement avec des composants et des sous-systèmes approuvés par 3M. Les substitutions ou les remplacements effectués avec des composants ou des sous-systèmes non approuvés peuvent affecter la compatibilité du matériel ainsi que la sécurité et la fiabilité du système dans son ensemble.

**2.8 COMPATIBILITÉ DES CONNECTEURS :** les connecteurs sont jugés compatibles avec les éléments de connexion lorsqu'ils ont été conçus pour travailler conjointement et de telle manière que leurs tailles et formes n'entraînent pas l'ouverture des mécanismes, quelle que soit leur orientation. Communiquer avec 3M pour toute question sur la compatibilité.

Les connecteurs (crochets, mousquetons et anneaux en D) doivent pouvoir supporter une charge minimale de 22,2 kN (5 000 lbf). Ils doivent être compatibles avec l'ancrage ou d'autres composants du système. Ne pas utiliser de matériel non compatible. Les connecteurs non compatibles peuvent se désengager accidentellement (voir la figure 5). La taille, la forme et la résistance des connecteurs doivent être compatibles. Si le connecteur sur lequel se fixe le crochet à ressort ou le mousqueton est trop petit ou de forme irrégulière, celui-ci risque d'exercer une force sur la clavette du crochet à ressort ou du mousqueton (A). Cette force peut entraîner l'ouverture de la clavette (B), permettant ainsi au crochet à ressort ou au mousqueton de se désengager du point d'attache (C).

La norme Z359 de l'ANSI et l'OSHA exigent l'utilisation de crochets à ressort et de mousquetons autoverrouillables.

**2.9 RACCORDEMENTS :** Les crochets à ressort et les mousquetons utilisés avec ce matériel doivent être autoverrouillables. S'assurer que la taille, la forme et la résistance de tous les raccords sont compatibles. Ne pas utiliser de matériel non compatible. S'assurer que tous les connecteurs sont complètement fermés et verrouillés.

Les connecteurs 3M (crochets à ressort et mousquetons) sont conçus pour être utilisés uniquement selon les directives propres à chacun des produits. Consulter la figure 6 pour obtenir des exemples de raccords inappropriés. Ne pas connecter de crochet à ressort et de mousqueton :

- A. À un anneau en D sur lequel un autre connecteur est raccordé.
- B. D'une manière qui entraînerait une charge sur la clavette. Les crochets à ressort à ouverture large ne doivent pas être connectés à des anneaux en D de taille standard ou à d'autres objets semblables, au risque d'entraîner une charge sur la clavette si le crochet ou l'anneau en D se déforme ou pivote, sauf si le crochet à ressort est équipé d'une clavette de 16 kN (3 600 lb) de capacité. Vérifier les directives sur le crochet à ressort afin d'assurer qu'il convient à l'application.
- C. En cas de fixation défectueuse, où certains éléments qui dépassent du crochet à ressort ou du mousqueton se prennent dans le point d'ancrage et semblent être totalement pris dans le point d'ancrage sans pouvoir le vérifier visuellement.
- D. L'un à l'autre.
- E. Directement à une sangle, une longe en corde ou à un nœud coulant (sauf s'il est indiqué dans les directives du fabricant de la longe et du connecteur qu'un tel raccord est permis).
- F. À un objet dont la forme ou la dimension bloque la fermeture et le verrouillage du crochet à ressort ou du mousqueton ou pourrait provoquer leur décrochage.
- G. S'ils ne permettent pas au connecteur de s'aligner correctement alors qu'il est sous tension.

### 3.0 INSTALLATION

Le propriétaire de ce matériel peut communiquer avec le Service technique de 3M en cas de questions concernant son installation, son utilisation ou son inspection.

L'installation de l'ancrage à chariot DBI-SALA doit être faite ou supervisée par une personne compétente<sup>1</sup>.

**3.1 PLANIFICATION :** Planifier la configuration du système de protection contre les chutes avant l'installation de l'ancrage à chariot. Prendre en compte tous les facteurs qui pourraient affecter la sécurité avant, pendant et après une chute. Tenir compte de toutes les exigences, restrictions et spécifications indiquées dans la section 2 et le tableau 1.

3M rendra accessible sur demande les renseignements nécessaires à la conception et à la planification des systèmes.

**3.2 CHOISIR UNE POUTRE D'ANCRAGE :** Il est possible d'installer un ancrage à chariot sur des poutres horizontales et à niveau répondant aux exigences d'ancrage indiquées dans le tableau 1. La poutre doit comporter des butées (A) à chaque extrémité pour empêcher que le chariot ne se décroche. Voir la figure 10 aux fins de référence. Les butées doivent être dimensionnées et placées de manière à être en mesure d'arrêter le chariot de façon sécuritaire. Le chariot ne doit pas rester pris ou accroché sur la butée; il doit pouvoir retourner librement dans la direction opposée après avoir touché la butée.

Les joints entre les sections de poutre doivent être à plat pour permettre à l'ancrage à chariot de passer dessus sans heurt.

**3.3 INSTALLATION DE L'ANCRAGE À CHARIOT :** Il est possible d'installer l'ancrage à chariot sur des poutres répondant aux exigences d'ancrage indiquées dans le tableau 1. Voir la figure 1 pour connaître les mesures du chariot pour poutre. La figure 7 illustre l'installation appropriée de l'ancrage à chariot. Pour installer l'ancrage à chariot :

1. Mesurer la largeur de la bride de poutre afin de déterminer les paramètres des trous de réglage sur le chariot. La figure 7.1 et le tableau 2 montrent la position des trous sur les boutons de réglage gauche et droit ainsi que la traverse support correspondant au tableau 2. Garder en mémoire ces paramètres des trous de réglage et les utiliser pour les étapes 3 et 4.
2. Pour ouvrir un côté du chariot, enlever l'anneau de traction de l'axe à épaulement et pousser l'axe à épaulement vers le haut pour le retirer du bouton de réglage. Faire glisser la plaque latérale hors de la traverse support.
3. Sur le côté toujours assemblé du chariot, enlever l'anneau de traction et l'axe à épaulement de la plaque latérale et régler la largeur au paramètre des trous de réglage déterminé à l'étape 1 et dans le tableau 2. Verrouiller le réglage en place en réinstallant l'axe à épaulement à la verticale, avec la tête de l'axe à épaulement sur le dessus dans les trous appropriés du bouton de réglage et de la traverse support, puis installer l'anneau de traction.
4. Placer la plaque latérale et la traverse support partiellement assemblées sur la bride inférieure de la poutre à l'aide de l'anneau connecteur suspendu. Faire glisser la plaque latérale non assemblée sur la traverse support et l'aligner sur le bouton de réglage et les trous de la traverse support déterminés à l'étape 1. Installer l'axe à épaulement à la verticale, avec la tête de l'axe à épaulement sur le dessus dans le bouton de réglage et les trous de la traverse support appropriés, puis fixer avec l'anneau de traction.

Les paramètres de largeur du chariot indiqués dans le tableau 2 doivent être respectés. Les réglages de la traverse support doivent utiliser les mêmes paramètres des deux côtés (c.-à-d. A - A, B - B, etc.). Les réglages du bouton doivent se situer dans la limite d'une unité. L'utilisation des mauvais paramètres risque de charger le chariot incorrectement. Si la bride de poutre est trop large pour faire passer l'axe à épaulement à travers les bons trous, régler le chariot à la taille supérieure suivante de bride de poutre comme indiqué dans le tableau 2. L'anneau en D doit toujours être centré entre les deux plaques latérales.

5. Vérifier que la distance entre la face de la roue du chariot (C) et le bord de la bride de poutre (D) ne dépasse pas 1,6 mm (1/16 po). Si la distance est supérieure à 1,6 mm (1/16 po), placer les boutons de réglage au paramètre inférieur suivant dans le tableau 2. S'assurer également que, visuellement, les axes à épaulement (A) sont installés avec la tête au-dessus des boutons de réglage et que les anneaux de traction (B) sont entièrement insérés dans les trous des axes à épaulement.

Si le chariot est déplacé vers une autre poutre ou si les anneaux de traction sont retirés, les anneaux de traction en forme de cercle peuvent être réutilisés. Si une goupille fendue est utilisée, il faut en utiliser une neuve à chaque nouvelle installation. Utiliser des anneaux de traction de 5/64 x 3/4 po en acier inoxydable 18-8 ou des pinces Pivot Point bow-tie<sup>MC</sup>. Si des pinces Pivot Point bow-tie<sup>MC</sup> sont utilisées, elles sont également réutilisables. N'utiliser que les axes à épaulement d'origine. Ne pas utiliser de produits de substitution.

### 4.0 UTILISATION

**4.1 AVANT CHAQUE UTILISATION :** Vérifier que la zone de travail et le système antichute répondent à tous les critères définis dans les présentes directives. S'assurer qu'un plan de sauvetage est en place. Inspecter le produit en suivant les points d'inspection « Utilisateur » définis dans le « Registre d'inspection et d'entretien ». Si l'inspection révèle des conditions dangereuses ou un état défectueux, ou s'il y a un doute relativement à son état en vue d'une utilisation sécuritaire, mettre immédiatement le produit hors service. Indiquer clairement « NE PAS UTILISER » sur le produit. Consulter la section 5 pour obtenir de plus amples renseignements.

**4.2 CONNEXIONS POUR SYSTÈME ANTICHUTE :** L'ancrage à chariot est utilisé avec un harnais de sécurité complet et une longe amortisseur de choc ou un dispositif autorétractable. La figure 9 illustre la connexion de la longe (A) ou du dispositif autorétractable (B) entre le harnais et l'ancrage à chariot. Raccorder la longe ou le dispositif autorétractable entre

**1 Personne qualifiée :** Une personne possédant un diplôme ou un certificat professionnel et une expérience approfondie en protection contre les chutes. Cette personne doit être en mesure de concevoir, d'analyser, d'évaluer et de spécifier des systèmes de protection contre les chutes.

**2 Personne compétente :** Personne capable de reconnaître les dangers existants et prévisibles au sein du milieu de travail ou les conditions de travail insalubres, risquées ou dangereuses pour les employés, et qui possède l'autorisation d'apporter des mesures correctives pour les éliminer.

l'anneau en D de l'ancrage à chariot et l'anneau en D dorsal à l'arrière du harnais, comme indiqué dans les directives comprises avec la longe ou le dispositif autorétractable.

**Raccordement de la ligne de vie horizontale** : L'ancrage à chariot pour poutre ne peut pas être utilisé en tant que point d'ancrage d'extrémité pour une ligne de vie horizontale.

## 5.0 INSPECTION

Une fois que le matériel a été mis hors service, il ne peut pas être remis en service avant qu'une personne compétente confirme par écrit qu'il est acceptable de le faire.

**5.1 FRÉQUENCE D'INSPECTION** : Le produit doit être inspecté par une personne autorisée avant chaque utilisation, puis, en plus, par une personne compétente autre que l'utilisateur à un intervalle n'excédant pas une fois par année. Une fréquence d'utilisation élevée du matériel et une utilisation dans des conditions plus difficiles peuvent exiger des inspections plus fréquentes par une personne compétente. La fréquence de ces inspections doit être déterminée par la personne compétente en fonction des conditions particulières du chantier.

**5.2 PROCÉDURES D'INSPECTION** : Inspecter le produit selon les procédures énumérées dans le « Registre d'inspection et d'entretien ». Le propriétaire de ce matériel doit conserver la documentation de chaque inspection. Un registre d'inspection et d'entretien doit être placé à proximité du produit ou être facilement accessible aux utilisateurs. Il est recommandé d'indiquer la date de la prochaine ou de la dernière inspection sur le produit.

Le propriétaire de ce matériel peut établir d'autres critères d'inspection. Ces autres critères doivent être équivalents ou supérieurs à ceux établis par 3M dans le « Registre d'inspection et d'entretien » et dans les autres documents officiels.

**5.3 DÉFAUTS** : Si le produit ne peut pas être remis en service en raison d'un défaut existant ou d'une condition dangereuse, ou parce qu'il a été soumis à un arrêt de chute, détruire le produit ou communiquer avec 3M pour un remplacement ou une réparation possible.

**5.4 DURÉE UTILE DU PRODUIT** : La durée utile du produit est déterminée par les conditions de travail et l'entretien. Tant que le produit satisfait aux critères d'inspection, il peut être utilisé.

## 6.0 ENTRETIEN, SERVICE et ENTREPOSAGE

L'équipement qui nécessite un entretien ou dont l'entretien est prévu doit porter une étiquette indiquant « NE PAS UTILISER ». Ces étiquettes ne doivent pas être retirées avant que l'entretien du matériel soit effectué.

**6.1 NETTOYAGE** : Nettoyer régulièrement les composants métalliques de l'ancrage à chariot avec une brosse douce, de l'eau chaude et une solution savonneuse douce. Veiller à rincer les pièces minutieusement avec de l'eau propre.

**6.2 SERVICE** : Seules 3M ou les parties autorisées par écrit par 3M peuvent réparer ce matériel.

**6.3 ENTREPOSAGE ET TRANSPORT** : Lorsqu'il n'est pas utilisé, entreposer et transporter l'ancrage à chariot avec le matériel de protection contre les chutes connexe dans un endroit frais, sec et propre à l'abri de la lumière directe du soleil. Éviter les zones présentant des vapeurs chimiques. Procéder à un examen minutieux après un entreposage prolongé.

## 7.0 ÉTIQUETTE À IRF

**7.1 EMPLACEMENT** : Le produit 3M présenté dans ces directives d'utilisation est doté d'une étiquette d'identification par radiofréquences (IRF). Les étiquettes à IRF peuvent être utilisées en combinaison avec un lecteur d'étiquettes à IRF pour enregistrer les résultats des inspections du produit. Voir la figure 11 pour connaître l'emplacement de l'étiquette à IRF du produit.

**7.2 MISE AU REBUT** : Avant de mettre ce produit au rebut, retirer l'étiquette à IRF et la mettre au rebut ou la recycler conformément aux réglementations locales. Pour obtenir de plus amples renseignements, consulter notre site Web : <http://www.3M.com/FallProtection/RFID>

## 8.0 ÉTIQUETTES et MARQUAGES

**8.1 ÉTIQUETTES** : La figure 12 illustre les étiquettes sur l'ancrage à chariot. Toutes les étiquettes doivent être présentes et parfaitement lisibles. Les informations apparaissant sur chaque étiquette sont les suivantes :

<b>A</b>	<ol style="list-style-type: none"> <li>1) Site Web de l'entreprise</li> <li>2) Énoncé de mise en garde</li> <li>3) Date de fabrication (année/mois) et numéro de lot</li> <li>4) Numéro de modèle</li> <li>5) Spécifications du produit</li> <li>6) Normes applicables</li> </ol>
<b>B</b>	<ol style="list-style-type: none"> <li>1) Site Web de l'entreprise</li> <li>2) Exigences d'inspection – Voir la section 5 pour obtenir plus de renseignements.</li> <li>3) Force de rupture minimale et température de service minimale</li> <li>4) Registre d'inspection</li> </ol>
<b>C</b>	<ol style="list-style-type: none"> <li>1) Site Web de l'entreprise</li> <li>2) Énoncé de mise en garde</li> <li>3) Date de fabrication (année/mois) et numéro de lot</li> <li>4) Numéro de modèle</li> <li>5) Spécifications du produit</li> </ol>

**Tableau 2 – Réglage de la largeur du chariot**

Largeur de la bride de poutre en mm (po)		Trous de la traverse support (deux côtés)	Trou du bouton de réglage gauche	Trou du bouton de réglage droit
De	Jusqu'à, mais non inclus			
76,2 (3,0)	79,38 (3,13)	D	1	1
79,38 (3,13)	82,55 (3,25)	D	1	2
82,55 (3,25)	85,73 (3,38)	D	2	2
85,73 (3,38)	88,90 (3,50)	D	2	3
88,90 (3,50)	92,08 (3,63)	D	3	3
92,08 (3,63)	95,25 (3,75)	D	3	4
95,25 (3,75)	98,43 (3,88)	D	4	4
98,43 (3,88)	101,40 (4,0)	D	4	5
101,40 (4,0)	104,78 (4,13)	D	5	5
104,78 (4,13)	107,95 (4,25)	D	5	6
107,95 (4,25)	111,13 (4,38)	C	1	1
111,13 (4,38)	114,3 (4,5)	C	1	2
114,3 (4,5)	117,48 (4,63)	C	2	2
117,48 (4,63)	120,65 (4,75)	C	2	3
120,65 (4,75)	123,83 (4,88)	C	3	3
123,83 (4,88)	127,0 (5,0)	C	3	4
127,0 (5,0)	130,18 (5,13)	C	4	4
130,18 (5,13)	133,35 (5,25)	C	4	5
133,35 (5,25)	136,53 (5,38)	C	5	5
136,53 (5,38)	139,7 (5,5)	C	5	6
139,7 (5,5)	142,88 (5,63)	B	1	1
142,88 (5,63)	146,05 (5,75)	B	1	2
146,05 (5,75)	149,23 (5,88)	B	2	2
149,23 (5,88)	152,4 (6,0)	B	2	3
152,4 (6,0)	155,58 (6,13)	B	3	3
155,58 (6,13)	158,75 (6,25)	B	3	4
158,75 (6,25)	161,93 (6,38)	B	4	4
161,93 (6,38)	165,1 (6,5)	B	4	5
165,1 (6,5)	168,28 (6,63)	B	5	5
168,28 (6,63)	171,45 (6,75)	B	5	6
171,45 (6,75)	174,63 (6,88)	A	1	1
174,63 (6,88)	177,8 (7,0)	A	1	2
177,8 (7,0)	180,98 (7,13)	A	2	2
180,98 (7,13)	184,15 (7,25)	A	2	3
184,15 (7,25)	187,33 (7,38)	A	3	3
187,33 (7,38)	190,5 (7,5)	A	3	4
190,5 (7,5)	193,68 (7,63)	A	4	4
193,68 (7,63)	196,85 (7,75)	A	4	5
196,85 (7,75)	200,03 (7,88)	A	5	5
200,03 (7,88)	203,2 (8,0)	A	5	6
203,2 (8,0)	---	A	6	6



## INFORMACIÓN DE SEGURIDAD

Lea, comprenda y acate toda la información de seguridad incluida en estas instrucciones antes de utilizar este sistema de conector de anclaje. **DE NO HACERLO, PUEDEN PRODUCIRSE LESIONES O LA MUERTE.**

Estas instrucciones deben entregarse a los usuarios de este equipo. **Conserve todas las instrucciones para consultas futuras.**

### Uso pretendido:

Este conector de anclaje ha sido diseñado para utilizarse como parte de un sistema personal completo de protección contra caídas.

3M no aprueba su uso para ninguna otra aplicación, incluidas, entre otras, la manipulación de materiales, las actividades de recreación o relacionadas con el deporte, u otras actividades no descritas en las Instrucciones para el usuario, ya que podrían ocasionarse lesiones graves o la muerte.

Este dispositivo debe ser utilizado únicamente por usuarios capacitados para aplicaciones en el lugar de trabajo.

## ADVERTENCIA

Este conector de anclaje forma parte de un sistema personal completo de protección contra caídas. Se prevé que todos los usuarios estén plenamente capacitados para instalar y utilizar con seguridad el sistema de protección contra caídas. **El uso incorrecto de este dispositivo puede ocasionar lesiones graves o la muerte.** Para su selección, funcionamiento, instalación, mantenimiento y reparación en forma adecuada, consulte las Instrucciones para el usuario y todas las recomendaciones del fabricante, consulte a un supervisor, o comuníquese con el Servicio Técnico de 3M.

- **Para reducir los riesgos asociados al trabajo con un conector de anclaje, que, de no evitarse, podrían ocasionar lesiones graves o la muerte:**
  - Inspeccione el dispositivo antes de cada uso, al menos una vez por año y después de una caída. La inspección se debe realizar de acuerdo con las Instrucciones para el usuario.
  - Si la inspección revela una condición insegura o defectuosa, retire el dispositivo de servicio, y repare o reemplácelo de acuerdo con las Instrucciones para el usuario.
  - Cualquier dispositivo que haya sido sometido a las fuerzas de detención de caídas o de impacto deberá retirarse inmediatamente del servicio y destruirse.
  - El dispositivo solo debe ser instalado en sustratos especificados o en estructuras detalladas en el Manual de instrucciones. Las instalaciones y el uso fuera del alcance de las instrucciones deben ser aprobados por 3M Fall Protection.
  - La superficie o la estructura a las que se conecta el conector de anclaje deben poder soportar las cargas estáticas especificadas para el anclaje en las orientaciones que se permiten en las Instrucciones para el usuario.
  - Solo conecte otros subsistemas de protección contra caídas al punto de conexión de anclaje designado en el dispositivo.
  - Antes de perforar o ajustar, asegúrese de que el taladro o el dispositivo no entrarán en contacto con líneas eléctricas, tuberías de gas u otros sistemas integrados fundamentales.
  - Asegúrese de que los sistemas y sistemas secundarios de protección contra caídas ensamblados con componentes hechos por diferentes fabricantes sean compatibles y cumplan con los requisitos de las normas vigentes, entre ellas ANSI Z359 u otros códigos, normas o requisitos vigentes de protección contra caídas. Consulte siempre a una persona calificada o competente antes de usar estos sistemas.
- **Para reducir los riesgos asociados con el trabajo en altura que, en caso de no evitarse, podrían ocasionar lesiones graves o muerte:**
  - Asegúrese de que su estado de salud y su condición física le permitan tolerar con seguridad todas las fuerzas asociadas con el trabajo en altura. Consulte a su médico si tiene dudas acerca de su capacidad para utilizar este equipo.
  - Nunca exceda la capacidad permitida del equipo de protección contra caídas.
  - Nunca exceda la distancia máxima de caída libre del equipo de protección contra caídas.
  - No utilice ningún equipo de protección contra caídas que no haya aprobado las inspecciones anteriores al uso u otras inspecciones programadas o si tiene inquietudes acerca del uso o de la idoneidad del equipo para su aplicación. Comuníquese con los Servicios Técnicos de 3M si tiene preguntas.
  - Algunas combinaciones de sistemas secundarios y componentes pueden interferir en el funcionamiento de este equipo. Utilice solamente conexiones compatibles. Consulte con 3M antes de utilizar este equipo junto con componentes o sistemas secundarios distintos de aquellos descritos en las Instrucciones para el usuario.
  - Tome precauciones adicionales al trabajar cerca de maquinaria en movimiento (por ejemplo, el sistema de propulsión superior de una torre petrolera), si hay riesgos eléctricos, temperaturas elevadas, peligros químicos, gases tóxicos o explosivos, bordes filosos o materiales elevados que pudieran caer sobre el equipo de protección contra caídas.
  - Utilice dispositivos Arc Flash o Hot Works cuando trabaje en ambientes con temperaturas elevadas.
  - Evite superficies y objetos que podrían lesionar al usuario o dañar el equipo.
  - Asegúrese de que haya una separación de caída adecuada al trabajar en alturas.
  - Nunca modifique ni altere el equipo de protección contra caídas. Solo 3M o las entidades autorizadas por escrito por 3M pueden hacer reparaciones en el equipo.
  - Antes de usar el equipo de protección contra caídas, asegúrese de que se haya implementado un plan de rescate que permita el rescate inmediato en caso de producirse un incidente de caída.
  - Si se produce un incidente de caída, busque atención médica de inmediato para la persona accidentada.
  - No utilice cinturones corporales para detención de caídas. Utilice únicamente un arnés de cuerpo entero.
  - Trabaje en un lugar situado lo más directamente posible por debajo del punto de anclaje para minimizar la posibilidad de caídas por balanceo.
  - Si está en capacitación con este equipo, debe utilizar un sistema secundario de protección contra caídas de forma tal que el aprendiz no esté expuesto a un riesgo de caída accidental.
  - Lleve puesto siempre un equipo de protección personal apropiado cuando instale, utilice o revise el dispositivo/sistema.

Antes de instalar y utilizar este equipo, anote la información de identificación del producto que figura en la etiqueta que se encuentra en el Registro de inspección y mantenimiento (Tabla 2), en la parte posterior de este manual.

Siempre asegúrese de estar utilizando la última versión de su manual de instrucciones de 3M. Visite el sitio web de 3M o comuníquese con el departamento de Servicios Técnicos de 3M para obtener manuales de instrucciones actualizados.

### DESCRIPCIÓN DEL PRODUCTO:

La Figura 1 ilustra el anclaje para transportadores 3M™ DBI-SALA®. El anclaje para transportadores es un conector de anclaje de un solo punto para un sistema de detención de caídas diseñado para instalarse en la parte superior de la brida inferior de una viga y rodar a lo largo de una viga horizontal.

La Figura 2 ilustra los componentes del anclaje para transportadores. Consulte las especificaciones de los componentes en la Tabla 1. El anclaje para transportadores se compone de dos placas laterales (A). La barra de carga (B) que conecta las placas laterales se ajusta a diversos anchos de brida de viga con cuadrantes de ajuste (C) integrados en el exterior de cada placa lateral. Las placas laterales se pueden ajustar retirando el anillo de tracción (H) y el pasador de horquilla (G) y luego volviéndolos a instalar. Las cuatro ruedas (D) están diseñadas para rodar suavemente a lo largo de la viga, con la ayuda de los cojinetes (E). El subsistema de detención de caídas se conecta al anillo conector (F) en el centro de la barra de carga. Un sistema típico de detención de caídas está conformado por un arnés de cuerpo completo y una eslinga con absorbedor de energía o un dispositivo autorretráctil (SRD).

**Tabla 1 – Especificaciones**

Especificaciones del sistema:	
<b>Capacidad:</b>	Una persona con un peso combinado (ropa, herramientas, etc.) de no más de 310 lb (140 kg) para el ANSI, o no más de 420 lb (191 kg) para la OSHA.
<b>Resistencia del anclaje:</b>	<p>La estructura en la cual se instala el conector de anclaje debe ser capaz de sostener la fuerza en las direcciones de carga previstas. Consulte la Sección 2.1 para obtener los valores.</p> <p>Solo se puede conectar un sistema de detención de caídas a un anclaje para transportadores individual a la vez. El transportador puede usarse en bridas de viga de 3,0 in a 8,0 in (7,6 cm a 20,3 cm) de ancho y de hasta 11/16 in (1,75 cm) de espesor. El radio mínimo que puede seguir el transportador es de 48 in (122 cm). La estructura de la viga debe cumplir con los requisitos de resistencia especificados en esta sección. La viga debe ser horizontal y debe estar nivelada.</p> <p><input checked="" type="checkbox"/> Las cargas del sistema de detención de caídas impuestas sobre el transportador deben permanecer dentro de los 30 grados de la línea central vertical de la viga. Consulte la Figura 9 como referencia.</p> <p><input checked="" type="checkbox"/> Si el usuario no puede determinar si la estructura de anclaje cumple con los requisitos del producto, debe buscar una persona calificada o un ingeniero profesional que pueda hacerlo o comunicarse con el departamento de Servicios Técnicos de 3M.</p>
<b>Ancho de brida permitido:</b>	3,0 in a 8,0 in (7,6 cm a 20,3 cm). Consulte la Figura 1 para obtener más información.
<b>Espesor de brida permitido:</b>	≤11/16 in (1,75 cm)
<b>Temperatura de servicio:</b>	Temperatura mínima de servicio de -40 °F (-40 °C)
<b>Resistencia mínima de ruptura:</b>	Resistencia mínima de ruptura de 5000 lbf (22 kN)
<b>Dimensiones:</b>	Consulte la Figura 1 para obtener las dimensiones de cada modelo de anclaje para transportadores.
<b>Peso:</b>	15 lb (6,8 kg)
<b>Estándares:</b>	<p>El anclaje para transportadores se ha probado de acuerdo con los requisitos del estándar ANSI Z359.7, además de los estándares enumerados en la portada.</p> <p><input checked="" type="checkbox"/> Las pruebas realizadas y el cumplimiento con el estándar ANSI cubren solo el producto y no se extienden a la estructura de anclaje ni al sustrato al que está unido el producto.</p>

### Especificaciones de los componentes:

Referencia de la Figura 2	Componente	Materiales (Modelo 2103147)	Materiales (Todos los demás modelos)
(A)	Placas laterales	Acero inoxidable	Acero cincado
(B)	Barra de carga	Acero inoxidable	Aleación de acero
(C)	Cuadrantes de ajuste con orificios de ajuste	Acero inoxidable	Acero cincado
(D)	Ruedas	Acero inoxidable	Acero cincado (Modelo 2103149: Revestimiento de goma sobre ruedas)
(E)	Cojinetes	Acero inoxidable	Acero inoxidable
(F)	Anillo conector	Acero inoxidable	Acero cincado
(G)	Pasador de horquilla	Acero inoxidable	Acero inoxidable
(H)	Anillo de tracción	Acero inoxidable	Acero inoxidable

## 1.0 APLICACIÓN DEL PRODUCTO

**1.1 FINALIDAD:** Los conectores de anclaje están diseñados para proporcionar puntos de conexión de anclaje para sistemas de detención de caídas<sup>1</sup>, Restricción de caídas<sup>2</sup>, Posicionamiento de trabajo<sup>3</sup> o de rescate<sup>4</sup>.

**Solo protección contra caídas:** Este conector de anclaje está diseñado para conectar el equipo de protección contra caídas. No conecte el equipo de elevación al conector de anclaje.

**1.2 ESTÁNDARES:** Su conector de anclaje cumple con las normas nacionales o regionales que se identifican en la cubierta frontal de estas instrucciones. Si este producto se revende fuera del país de destino original, el revendedor debe proporcionar estas instrucciones en el idioma del país en el que se usará el producto.

**1.3 SUPERVISIÓN:** Una persona competente debe supervisar el uso de este equipo<sup>5</sup>.

**1.4 CAPACITACIÓN:** La instalación y el uso de este equipo deben estar a cargo de personas capacitadas en su correcta aplicación. Este manual debe usarse como parte de un programa de capacitación de empleados tal como lo exigen los estándares nacionales, regionales o locales. El usuario y quienes instalen este equipo tienen la responsabilidad de familiarizarse con estas instrucciones, capacitarse en su cuidado y uso correctos, además de informarse sobre las características operativas, los límites de aplicación y las consecuencias de su uso incorrecto.

**1.5 PLAN DE RESCATE:** Al usar este equipo y conectar subsistemas, el empleador debe tener un plan de rescate y los medios disponibles para implementar y comunicar ese plan a los usuarios<sup>6</sup>, personas autorizadas<sup>7</sup>, y rescatistas<sup>8</sup>. Se recomienda la presencia de un equipo de rescate capacitado en el sitio. Los miembros del equipo deben recibir el equipo y las técnicas para realizar un rescate exitoso. Se debe proporcionar capacitación periódicamente para garantizar la competencia del rescatista.

**1.6 DESPUÉS DE UNA CAÍDA:** Si el producto está sujeto a la detención de caídas o la fuerza de impacto, retírelo del servicio inmediatamente. Etiquete claramente el producto con la inscripción "NO USAR". Consulte la Sección 5 para obtener más información.

## 2.0 REQUISITOS DEL SISTEMA

**2.1 ANCLAJE:** Los requisitos de la estructura de anclaje varían según la aplicación del sistema y si es un anclaje certificado<sup>9</sup> o no certificado<sup>10</sup>. La estructura a la cual está conectado un sistema de detención de caídas, restricción, posicionamiento de trabajo o rescate debe sostener cargas estáticas aplicadas en las direcciones permitidas según se muestra en la siguiente tabla. Los requisitos de resistencia del anclaje, junto con las aplicaciones del sistema, se especifican a continuación, a menos que se indique o defina lo contrario en la Tabla 1:

Sistema de protección contra caídas	Anclaje certificado <sup>9</sup>	Anclaje no certificado <sup>10</sup>	Definido por
Detención de caídas	2 veces la fuerza máxima de detención	5000 lbf (22,2 kN)	OSHA, ANSI
Restricción/restricción del recorrido	2 veces la fuerza prevista	1000 lbf (4,4 kN) según ANSI 5000 lbf (22,2 kN) según OSHA	OSHA, ANSI
Posicionamiento para el trabajo	2 veces la fuerza prevista	3000 lbf (13,3 kN)	OSHA, ANSI
Rescate	5 veces la carga aplicada	3000 lbf (13,3 kN)	ANSI

Cuando se conecta a un anclaje más de un sistema, las resistencias mencionadas arriba deben multiplicarse por la cantidad de sistemas conectados al anclaje. Consulte ANSI Z359.2 para obtener más información.

**2.2 SISTEMA PERSONAL DE DETENCIÓN DE CAÍDAS:** La figura 1 ilustra la aplicación de este conector de anclaje. Los sistemas personales de detención de caídas (PFAS) utilizados con el sistema deben cumplir con las normas, los códigos y los requisitos correspondientes para la protección contra caídas. El PFAS debe incorporar un arnés de cuerpo completo y limitar la fuerza de detención a los siguientes valores:

	Fuerza de detención máxima	Caída libre
<b>PFAS con eslingas amortiguadoras de impacto</b>	1800 lbf (8 kN)	Consulte las instrucciones incluidas en su eslinga o dispositivo autorretráctil (SRD) para ver las limitaciones de caída libre.
<b>PFAS con dispositivos autorretráctiles (SRD)</b>	1800 lbf (8 kN)	

**1 Sistema de detención de caídas:** Una colección de equipos de protección contra caídas configurados para detener una caída libre. Protege al usuario en caso de caída. Se admite la caída libre hasta los límites permitidos por el dispositivo de conexión [ya sea eslinga con absorbedor de energía o un dispositivo autorretráctil (SRD)].

**2 Sistema de restricción de caídas:** Una colección de equipos de protección contra caídas configurados para evitar que el centro de gravedad de una persona llegue a un riesgo de caída. Impide que el usuario se acerque a un peligro. No se permite la caída libre vertical.

**3 Sistema de posicionamiento de trabajo:** Una colección de equipos de protección contra caídas configurados para soportar a un usuario en posición de trabajo. Debe incluir un sistema de respaldo personal de detención de caídas. La caída libre máxima permitida es de 2 pies.

**4 Sistema de rescate:** Una colección de equipos de protección contra caídas configurados para poner a una persona fuera de peligro, evitar lesiones o limitaciones de espacio y ubicarla en un lugar seguro. No se permite sistemas de caída libre vertical.

**5 Persona competente:** Alguien capaz de identificar peligros existentes y predecibles en los alrededores o condiciones de trabajo que son insalubres o peligrosas para los empleados, y que tiene autorización para tomar medidas correctivas rápidas para eliminarlos.

**6 Usuario:** Una persona que realiza actividades mientras está protegido por un sistema de protección contra caídas.

**7 Persona autorizada:** Una persona designada por el empleador para que realice tareas en una ubicación en la que la persona estará expuesta a un riesgo de caída.

**8 Rescatista:** Persona o personas que no sean el sujeto a rescatar y que actúan para realizar un rescate asistido mediante la operación de un sistema de rescate.

**9 Anclaje certificado:** Un anclaje para sistemas de rescate, detención de caídas, posicionamiento o restricción que una persona calificada certifica que cumple con los criterios para un anclaje certificado según la Sección 2.1.

**10 Anclaje no certificado:** Anclaje de detención de caídas que una persona competente puede calificar como capaz de soportar las fuerzas de anclaje predeterminadas enumeradas en la Sección 2.1.



- 2.3 TRAYECTORIA DE CAÍDA Y VELOCIDAD DE BLOQUEO DEL DISPOSITIVO AUTORRETRÁCTIL:** Se requiere una trayectoria despejada para asegurar que el SRD se bloquee. Se deben evitar situaciones donde la trayectoria de una posible caída presente obstrucciones. El hecho de trabajar en espacios muy confinados o restringidos podría no permitir que el cuerpo desarrolle una velocidad suficiente para que el SRD se bloquee si se produce una caída. Trabajar sobre materiales que se mueven lentamente, como por ejemplo, arena o granos, podría no permitir que se acumule una velocidad suficiente para que se bloquee el SRD.
- 2.4 RIESGOS:** El uso de este equipo en áreas en las que existen riesgos ambientales puede requerir precauciones adicionales para evitar lesiones al usuario o daños al equipo. Algunos de los peligros son, entre otros: calor, sustancias químicas, entornos corrosivos, líneas de alta tensión, gases explosivos o tóxicos, maquinaria en movimiento, bordes afilados o materiales ubicados sobre el nivel de la cabeza que podrían caer y entrar en contacto con el usuario o el sistema personal de detención de caídas.
- 2.5 SEPARACIÓN DE CAÍDA:** La Figura 3 muestra los componentes de una detención de caídas. Debe haber suficiente separación de caída (Fall Clearance, FC) para poder detener una caída y evitar que el usuario se golpee contra un objeto o contra el piso. La separación se ve afectada por una serie de factores, incluidos los siguientes: ubicación del anclaje, (A) longitud de la eslinga, (B) distancia de desaceleración de la eslinga o distancia de detención máxima del SRD, (C) tensión del arnés, y longitud y estabilización del anillo en D/conector. Consulte las instrucciones incluidas con su sistema secundario de detención de caídas para obtener información específica respecto al cálculo de separación de caída.
- 2.6 CAÍDAS POR BALANCEO:** Las caídas por balanceo ocurren cuando el punto de anclaje no está directamente por encima del punto donde ocurre la caída (consulte la Figura 4). La fuerza del golpe contra un objeto en una caída por balanceo puede causar lesiones graves e, incluso, fatales. Trabaje en un lugar situado lo más directamente posible por debajo del punto de anclaje para minimizar la posibilidad de caídas por balanceo. No permita que ocurra una caída por balanceo si pudiera causar lesiones. Las caídas por balanceo incrementarán considerablemente el espacio libre necesario cuando se utiliza un dispositivo autorretráctil u otro sistema secundario de conexión con longitud variable.
- 2.7 COMPATIBILIDAD DE LOS COMPONENTES:** el equipo 3M está diseñado para usarse exclusivamente con los componentes y sistemas secundarios 3M aprobados. Las sustituciones o los reemplazos hechos con componentes y sistemas secundarios no aprobados pueden arriesgar la compatibilidad del equipo y pueden afectar la seguridad y confiabilidad de todo el sistema.
- 2.8 COMPATIBILIDAD DE LOS CONECTORES:** Se considera que los conectores son compatibles con los elementos de conexión cuando se han diseñado para trabajar juntos de tal manera que sus tamaños y formas no provoquen que sus mecanismos de hebilla se abran de manera involuntaria, independientemente de cómo se orienten. Póngase en contacto con 3M si tiene alguna pregunta sobre la compatibilidad.
- Los conectores (ganchos, mosquetones y anillos en D) deben tener capacidad para soportar al menos 5000 lbf (22,2 kN). Los conectores deben ser compatibles con el anclaje u otros componentes del sistema. No utilice equipos que no sean compatibles. Los conectores no compatibles pueden desconectarse involuntariamente (consulte la Figura 5). Los conectores deben ser compatibles en cuanto a tamaño, forma y resistencia. Si el elemento de conexión al que se fija un gancho de seguridad o un mosquetón es más pequeño que lo debido o tiene una forma irregular, podría surgir una situación en la que el elemento de conexión aplicara una fuerza al cierre del gancho de seguridad o mosquetón (A). Esta fuerza puede hacer que se abra la hebilla (B), lo que permite que el gancho de seguridad o mosquetón se desconecte del punto de conexión (C).
- Los ganchos de seguridad y mosquetones con cierre automático son reglamentarios según las normas ANSI Z359 y OSHA.
- 2.9 CÓMO HACER CONEXIONES:** Los mosquetones utilizados con este equipo deben ser de cierre automático. Asegúrese de que todas las conexiones sean compatibles en cuanto a tamaño, forma y resistencia. No utilice equipos que no sean compatibles. Asegúrese de que todos los conectores estén completamente cerrados y trabados.
- Los conectores de 3M (ganchos de seguridad y mosquetones) están diseñados para el uso exclusivo que se especifica en las instrucciones de uso de cada producto. Consulte la Figura 6 para ver ejemplos de conexiones inadecuadas. Los ganchos de seguridad y los mosquetones no deben conectarse de la siguiente forma:
- A un anillo en D al que esté conectado otro conector.
  - De manera tal que se produzca una carga sobre la hebilla. Los ganchos de seguridad de gargantas grandes no deben conectarse a anillos en D de tamaño estándar ni a objetos similares que puedan imponer una carga sobre la compuerta si el gancho o el anillo en D gira o se tuerce, a menos que el gancho de seguridad cumpla con el estándar y esté equipado con una compuerta de 3600 lbf (16 kN). Examine la marca en el gancho de seguridad para verificar que sea apropiado para su aplicación.
  - En un enganche falso, donde los elementos que sobresalen del gancho de seguridad o el mosquetón se sujetan del anclaje y, a primera vista, parecería que estuvieran completamente enganchados al punto de anclaje.
  - Entre sí.
  - Directamente a una eslinga de cuerda o entretejido de seguridad, o eslinga para autoamarre (a menos que en las instrucciones del fabricante de la eslinga y del conector se permita expresamente esa conexión).
  - A ningún objeto cuya forma o dimensión sea tal que el gancho de seguridad o carabinero quede sin cerrar o trabar o que pueda deslizarse.
  - De modo que impidan que el conector se alinee correctamente en condiciones de carga.

### 3.0 INSTALACIÓN

El propietario de este equipo puede contactar al departamento de Servicios Técnicos de 3M ante cualquier pregunta relacionada con la instalación, el uso o la inspección del equipo.

La instalación del anclaje de transportadores DBI-SALA la debe supervisar una persona competente<sup>1</sup>.

**3.1 PLANIFICACIÓN:** Planifique su sistema de protección contra caídas antes de la instalación del anclaje para transportadores. Tenga en cuenta todos los factores que pueden afectar su seguridad antes, durante y después de una caída. Considere todos los requisitos, las limitaciones y las especificaciones que se definen en la Sección 2 y en la Tabla 1.

3M pondrá a disposición, previa solicitud, la información necesaria para el diseño y la planificación de los sistemas.

**3.2 SELECCIÓN DE UNA VIGA DE ANCLAJE:** El anclaje para transportadores puede instalarse en vigas horizontales y niveladas que cumplan con los requisitos de anclaje especificados en la Tabla 1. La viga debe tener topes (A) a ambos extremos para evitar que el transportador se caiga de la viga. Consulte la Figura 10 como referencia. Los topes deben estar dimensionados y posicionados de manera que puedan detener el transportador de manera segura. El transportador no debe quedar atrapado ni colgar del tope; el transportador debe poder volver libremente a la dirección opuesta después de tocar el tope.

Las uniones entre las secciones de la viga deben quedar al ras para permitir que el anclaje para transportadores pase por encima suavemente.

**3.3 INSTALACIÓN DEL ANCLAJE PARA TRANSPORTADORES:** El anclaje para transportadores se puede instalar en vigas que cumplan con los requisitos de anclaje especificados en la Tabla 1. Consulte la Figura 1 para obtener las medidas del transportador de vigas. La Figura 7 ilustra la instalación del anclaje para transportadores. Para instalar el anclaje para transportadores, realice lo siguiente:

1. Mida el ancho de la brida de la viga para determinar la configuración del orificio de ajuste en el transportador. La figura 7.1 y la Tabla 2 ilustran las posiciones del orificio en los cuadrantes de ajuste izquierdo y derecho y la barra de carga que se corresponden con la Tabla 2. Registre estas configuraciones del orificio de ajuste y úselas para los Pasos 3 y 4.
2. Para abrir un lado del transportador, retire el anillo de tracción del pasador de horquilla y extraiga el pasador de horquilla del sintonizador del ajustador. Deslice la placa lateral fuera de la barra de carga.
3. En el lado aún ensamblado del transportador, retire el anillo de tracción y el pasador de horquilla de la placa lateral, y ajuste el ancho a la configuración requerida del orificio de ajuste determinada en el Paso 1 y en la Tabla 2. Bloquee el ajuste en su lugar volviendo a instalar el pasador de horquilla verticalmente con la cabeza del pasador de horquilla en la parte superior a través del sintonizador del ajustador y los orificios de la barra de carga adecuados, e instale el anillo de tracción.
4. Coloque la placa lateral y la barra de carga parcialmente montadas en la brida inferior de la viga con el anillo conector colgando hacia abajo. Desplace la placa lateral no montada en la barra de carga y alinéela con el sintonizador del ajustador requerido y los orificios de la barra de carga según lo indicado en el Paso 1. Instale un pasador de horquilla verticalmente, con la cabeza del pasador de horquilla en la parte superior, a través del sintonizador del ajustador y los orificios de la barra de carga y asegúrelo con el anillo de tracción.

Se deben seguir las configuraciones del ancho del transportador especificadas en la Tabla 2. Los ajustes de la barra de carga deben usar la misma configuración en ambos lados (es decir, A - A, B - B, etc.). Los ajustes del sintonizador del ajustador deben estar dentro de una unidad. Si no se usa la configuración correcta, se puede cargar el transportador de manera inadecuada. Si la brida de la viga es demasiado ancha para instalar el pasador de horquilla en los orificios correctos, ajuste el transportador al siguiente tamaño más grande de brida de viga, tal como se especifica en la Tabla 2. El anillo en D siempre debe estar centrado entre las dos placas laterales.

5. Confirme que la distancia desde la cara de la rueda del transportador (C) hasta el borde de la brida de la viga (D) no sea superior a 1/16 in (1,6 mm). Si la distancia es mayor de 1/16 in (1,6 mm), cambie los cuadrantes de ajuste a la siguiente configuración más estrecha en la Tabla 2. Además, confirme visualmente que los pasadores de horquilla (A) estén instalados con las cabezas de los pasadores en la parte superior de los cuadrantes de ajuste y que los anillos de tracción (B) estén completamente instalados a través de los orificios de los pasadores de horquilla.

Si el transportador se mueve a otra viga o si se quitan los anillos de tracción, los anillos de tracción tipo círculo se pueden volver a utilizar. Si se usa un pasador de chaveta, se debe usar un nuevo pasador de chaveta para cada instalación nueva. Use anillos de tracción de acero inoxidable 18-8 de 5/64 in (1,98 mm) x 3/4 in (19,05 mm) o anillos de tracción con sujetador Pivot Point Bow-tie™. Si usa sujetadores Pivot Point Bow-tie™, se pueden volver a utilizar. Utilice solo los pasadores de horquilla originales. No los reemplace.

### 4.0 USO

**4.1 ANTES DE CADA USO:** Verifique que su área de trabajo y el sistema de detención de caídas cumplan con todos los criterios definidos en estas instrucciones. Verifique que exista un plan de rescate formal. Inspeccione el producto según los puntos de inspección del "Usuario" definidos en el "Registro de inspección y mantenimiento". Si la inspección revela una condición insegura o defectuosa, o si existe alguna duda sobre su condición para un uso seguro, retire el producto de servicio inmediatamente. Etiquételo claramente con la inscripción "NO USAR". Consulte la Sección 5 para obtener más información.

**4.2 CONEXIONES DE DETENCIÓN DE CAÍDAS:** El anclaje para transportadores se usa con un arnés de cuerpo completo y una eslinga con absorbedor de energía o un dispositivo autorretráctil (SRD). La Figura 9 ilustra la conexión de la eslinga (A) o el SRD (B) entre el arnés y el anclaje para transportadores. Conecte la eslinga o el SRD entre el anillo en D del anclaje para transportadores y el anillo en D dorsal trasero en el arnés según las instrucciones incluidas con la eslinga o el SRD.

**1 Persona calificada:** Una persona con un título o certificado profesional reconocido y una amplia experiencia en la protección contra caídas. Esta persona debe ser capaz de realizar el diseño, el análisis, la evaluación y la especificación en protección contra caídas.

**2 Persona competente:** Alguien capaz de identificar peligros existentes y predecibles en los alrededores o condiciones de trabajo que son insalubres o peligrosas para los empleados, y que tiene autorización para tomar medidas correctivas rápidas para eliminarlos.

**Conexiones de la línea de vida horizontal:** El anclaje para transportadores de vigas no se puede usar como un punto de anclaje final para una línea de vida horizontal (HLL).

## 5.0 INSPECCIÓN

Una vez que el equipo se haya retirado del servicio, no se lo podrá devolver al servicio hasta que una persona competente confirme por escrito que es aceptable hacerlo.

**5.1 FRECUENCIA DE INSPECCIÓN:** Una persona autorizada deberá inspeccionar el producto antes de cada uso y, además, deberá hacerlo una persona competente que no sea el usuario a intervalos de no más de un año. Una mayor frecuencia de uso del equipo y condiciones más severas pueden requerir aumentar la frecuencia de inspecciones por parte de la persona competente. La frecuencia de estas inspecciones la debe determinar la persona competente según las condiciones específicas del lugar de trabajo.

**5.2 PROCEDIMIENTOS DE INSPECCIÓN:** Inspeccione este producto según los procedimientos enumerados en el "Registro de inspección y mantenimiento". La documentación de cada inspección la debe conservar el propietario de este equipo. Se debe colocar un registro de inspección y mantenimiento cerca del producto o, de otra manera, que sea de fácil acceso para los usuarios. Se recomienda que el producto se marque con la fecha de la próxima o última inspección.

El propietario de este equipo puede establecer criterios de inspección alternativos. Los criterios alternativos deben ser iguales o superiores a los establecidos por 3M en el "Registro de inspección y mantenimiento" y otros documentos oficiales.

**5.3 DEFECTOS:** Si el producto no se puede devolver al servicio debido a un defecto existente o una condición insegura, o porque se lo ha sometido a una detención de caída, destruya el producto o comuníquese con 3M para un posible reemplazo o reparación.

**5.4 VIDA ÚTIL DEL PRODUCTO:** La vida útil del producto está determinada por las condiciones de trabajo y el mantenimiento. Siempre y cuando el producto supere los criterios de inspección, podrá permanecer en servicio.

## 6.0 MANTENIMIENTO, REPARACIÓN Y ALMACENAMIENTO

El equipo que necesita mantenimiento o programación para mantenimiento debe estar etiquetado con la inscripción "NO USAR". Estas etiquetas del equipo no se deben quitar hasta que se realice el mantenimiento.

**6.1 LIMPIEZA:** Limpie periódicamente los componentes metálicos del anclaje para transportadores con un cepillo suave, agua tibia y una solución jabonosa suave. Asegúrese de enjuagar bien las piezas con agua limpia.

**6.2 SERVICIO TÉCNICO:** Solo 3M o las entidades autorizadas por escrito por 3M pueden hacer reparaciones a este equipo.

**6.3 ALMACENAMIENTO Y TRANSPORTE:** Cuando no lo utilice, transporte y almacene el anclaje para transportadores y el equipo de protección contra caídas asociado en un lugar fresco, seco y limpio, donde no quede expuesto a la luz solar directa. Evite los lugares donde pueda haber vapores de sustancias químicas. Inspeccione minuciosamente los componentes después de que haya estado almacenado por mucho tiempo.

## 7.0 ETIQUETA RFID

**7.1 UBICACIÓN:** El producto 3M cubierto en estas instrucciones de uso está equipado con una etiqueta de identificación por radiofrecuencia (RFID). Las etiquetas RFID se pueden usar en coordinación con un escáner de etiquetas RFID para registrar los resultados de la inspección del producto. Consulte la Figura 11 para ver dónde se encuentra su etiqueta RFID.

**7.2 DESECHO:** Antes de desechar este producto, retire la etiqueta RFID y deséchelo/recíclalo de acuerdo con las regulaciones locales. Para obtener más información, visite nuestro sitio web: <http://www.3M.com/FallProtection/RFID>

## 8.0 ETIQUETAS y MARCAS

**8.1 ETIQUETAS:** La Figura 12 ilustra las etiquetas del anclaje para transportadores. Todas las etiquetas deben estar presentes y ser completamente legibles. La información proporcionada en cada etiqueta es la siguiente:

<b>A</b>	<ol style="list-style-type: none"><li>1) Sitio web de la empresa</li><li>2) Declaración de advertencia</li><li>3) Fabricado (año/mes) y número de lote</li><li>4) Número de modelo</li><li>5) Especificaciones del producto</li><li>6) Normas aplicables</li></ol>
<b>B</b>	<ol style="list-style-type: none"><li>1) Sitio web de la empresa</li><li>2) Requisitos de inspección: consulte la Sección 5 para obtener más información.</li><li>3) Resistencia mínima de ruptura y temperatura mínima de servicio</li><li>4) Registro de inspección</li></ol>
<b>C</b>	<ol style="list-style-type: none"><li>1) Sitio web de la empresa</li><li>2) Declaración de advertencia</li><li>3) Fabricado (año/mes) y número de lote</li><li>4) Número de modelo</li><li>5) Especificaciones del producto</li></ol>

**Tabla 2: ajuste del ancho de transportadores**

Ancho de la brida de la viga en pulgadas (mm)		Orificios de la barra de carga (Ambos lados)	Orificio del sintonizador del ajustador izquierdo	Orificio del sintonizador del ajustador derecho
Desde	Hasta, pero sin incluir			
3,0 (76,2)	3,13 (79,38)	D	1	1
3,13 (79,38)	3,25 (82,55)	D	1	2
3,25 (82,55)	3,38 (85,73)	D	2	2
3,38 (85,73)	3,50 (88,90)	D	2	3
3,50 (88,90)	3,63 (92,08)	D	3	3
3,63 (92,08)	3,75 (95,25)	D	3	4
3,75 (95,25)	3,88 (98,43)	D	4	4
3,88 (98,43)	4,0 (101,40)	D	4	5
4,0 (101,40)	4,13 (104,78)	D	5	5
4,13 (104,78)	4,25 (107,95)	D	5	6
4,25 (107,95)	4,38 (111,13)	C	1	1
4,38 (111,13)	4,5 (114,3)	C	1	2
4,5 (114,3)	4,63 (117,48)	C	2	2
4,63 (117,48)	4,75 (120,65)	C	2	3
4,75 (120,65)	4,88 (123,83)	C	3	3
4,88 (123,83)	5,0 (127,0)	C	3	4
5,0 (127,0)	5,13 (130,18)	C	4	4
5,13 (130,18)	5,25 (133,35)	C	4	5
5,25 (133,35)	5,38 (136,53)	C	5	5
5,38 (136,53)	5,5 (139,7)	C	5	6
5,5 (139,7)	5,63 (142,88)	B	1	1
5,63 (142,88)	5,75 (146,05)	B	1	2
5,75 (146,05)	5,88 (149,23)	B	2	2
5,88 (149,23)	6,0 (152,4)	B	2	3
6,0 (152,4)	6,13 (155,58)	B	3	3
6,13 (155,58)	6,25 (158,75)	B	3	4
6,25 (158,75)	6,38 (161,93)	B	4	4
6,38 (161,93)	6,5 (165,1)	B	4	5
6,5 (165,1)	6,63 (168,28)	B	5	5
6,63 (168,28)	6,75 (171,45)	B	5	6
6,75 (171,45)	6,88 (174,63)	A	1	1
6,88 (174,63)	7,0 (177,8)	A	1	2
7,0 (177,8)	7,13 (180,98)	A	2	2
7,13 (180,98)	7,25 (184,15)	A	2	3
7,25 (184,15)	7,38 (187,33)	A	3	3
7,38 (187,33)	7,5 (190,5)	A	3	4
7,5 (190,5)	7,63 (193,68)	A	4	4
7,63 (193,68)	7,75 (196,85)	A	4	5
7,75 (196,85)	7,88 (200,03)	A	5	5
7,88 (200,03)	8,0 (203,2)	A	5	6
8,0 (203,2)	---	A	6	6





**GARANTIE INTERNATIONALE DU PRODUIT, RECOURS LIMITÉ  
ET LIMITATION DE RESPONSABILITÉ**

**GARANTIE :** CE QUI SUIT REMPLACE TOUTES LES GARANTIES OU CONDITIONS, EXPRESSES OU IMPLICITES, Y COMPRIS LES GARANTIES OU LES CONDITIONS IMPLICITES RELATIVES À LA QUALITÉ MARCHANDE ET À L'ADAPTATION À UN USAGE PARTICULIER.

Sauf disposition contraire de la loi, les produits de protection antichute 3M sont garantis contre tout défaut de fabrication en usine et de matériaux pour une période d'un (1) an à compter de la date d'installation ou de la première utilisation par le propriétaire initial.

**RECOURS LIMITÉ :** Moyennant un avis écrit à 3M, 3M réparera ou remplacera tout produit présentant un défaut de fabrication en usine ou de matériaux, tel que déterminé par 3M. 3M se réserve le droit d'exiger le retour du produit dans ses installations afin d'évaluer la réclamation de garantie. Cette garantie ne couvre pas les dommages au produit résultant de l'usure, d'un abus ou d'une mauvaise utilisation, les dommages subis pendant l'expédition, le manque d'entretien du produit ou d'autres dommages en dehors du contrôle de 3M. 3M jugera seul de l'état du produit et des options de garantie.

Cette garantie s'applique uniquement à l'acheteur initial et est la seule garantie applicable aux produits de protection antichute de 3M. Veuillez communiquer avec le service à la clientèle de 3M de votre région pour obtenir de l'aide.

**LIMITATION DE RESPONSABILITÉ :** DANS LES LIMITES PRÉVUES PAR LES LOIS LOCALES, 3M NE SERA TENU POUR RESPONSABLE DE TOUT DOMMAGE INDIRECT, ACCESSOIRE, SPÉCIFIQUE OU CONSÉCUTIF INCLUANT, SANS S'Y LIMITER, LA PERTE DE PROFIT, LIÉS DE QUELQUE MANIÈRE AUX PRODUITS, QUELLE QUE SOIT LA THÉORIE LÉGALE INVOQUÉE.

**GARANTÍA GLOBAL DEL PRODUCTO, REPARACIONES LIMITADAS  
Y LIMITACIÓN DE RESPONSABILIDAD**

**GARANTÍA:** EL SIGUIENTE TEXTO SIRVE A MODO DE GARANTÍA O CONDICIÓN, EXPLÍCITA O IMPLÍCITA, E INCLUYE LAS GARANTÍAS O CONDICIONES IMPLÍCITAS DE COMERCIABILIDAD O APTITUD PARA UN PROPÓSITO ESPECÍFICO.

A menos que las leyes locales indiquen lo contrario, los productos de protección contra caídas 3M tienen garantía por defectos de fábrica en la mano de obra y en los materiales durante un período de un año desde la fecha de instalación o desde el primer uso del propietario original.

**REPARACIONES LIMITADAS:** 3M reparará o reemplazará un producto si determina que tiene un defecto de fábrica en la mano de obra o en los materiales y tras haber recibido una notificación por escrito sobre el presunto defecto. 3M se reserva el derecho de exigir la devolución del producto a sus instalaciones para evaluar los reclamos sobre la calidad. Esta garantía no cubre los daños ocasionados por el desgaste, el abuso, el mal mantenimiento, o como consecuencia del traslado del producto, u otros daños ajenos al control de 3M. 3M será el único capaz de determinar la condición del producto y las opciones de la garantía.

Esta garantía solo se aplica al comprador original y es la única garantía válida para los productos de protección contra caídas 3M. Comuníquese con el departamento de servicio al cliente de 3M de su región para obtener ayuda.

**LIMITACIÓN DE RESPONSABILIDAD:** EN LA MEDIDA PERMITIDA POR LAS LEYES LOCALES, 3M NO SERÁ RESPONSABLE DE LOS DAÑOS INDIRECTOS, IMPREVISTOS, ESPECIALES O CONSECUENTES; ENTRE ELLOS, LA PÉRDIDA DE INGRESOS RELACIONADOS DE CUALQUIER MANERA CON LOS PRODUCTOS, INDEPENDIENTEMENTE DE LA TEORÍA JURÍDICA QUE SE PUDIERA INVOCAR.

## GLOBAL PRODUCT WARRANTY, LIMITED REMEDY AND LIMITATION OF LIABILITY

**WARRANTY:** THE FOLLOWING IS MADE IN LIEU OF ALL WARRANTIES OR CONDITIONS, EXPRESS OR IMPLIED, INCLUDING THE IMPLIED WARRANTIES OR CONDITIONS OF MERCHANTABILITY OR FITNESS FOR A PARTICULAR PURPOSE.

Unless otherwise provided by local laws, 3M fall protection products are warranted against factory defects in workmanship and materials for a period of one year from the date of installation or first use by the original owner.

**LIMITED REMEDY:** Upon written notice to 3M, 3M will repair or replace any product determined by 3M to have a factory defect in workmanship or materials. 3M reserves the right to require product be returned to its facility for evaluation of warranty claims. This warranty does not cover product damage due to wear, abuse, misuse, damage in transit, failure to maintain the product or other damage beyond 3M's control. 3M will be the sole judge of product condition and warranty options.

This warranty applies only to the original purchaser and is the only warranty applicable to 3M's fall protection products. Please contact 3M's customer service department in your region for assistance.

**LIMITATION OF LIABILITY:** TO THE EXTENT PERMITTED BY LOCAL LAWS, 3M IS NOT LIABLE FOR ANY INDIRECT, INCIDENTAL, SPECIAL OR CONSEQUENTIAL DAMAGES INCLUDING, BUT NOT LIMITED TO LOSS OF PROFITS, IN ANY WAY RELATED TO THE PRODUCTS REGARDLESS OF THE LEGAL THEORY ASSERTED.



Fall Protection

### USA

3833 SALA Way  
Red Wing, MN 55066-5005  
Toll Free: 800.328.6146  
Phone: 651.388.8282  
Fax: 651.388.5065  
3Mfallprotection@mmm.com

### Brazil

Rodovia Anhanguera, km 110  
Sumaré - SP  
CEP: 13181-900  
Brasil  
Phone: 0800-013-2333  
falecoma3m@mmm.com

### Mexico

Calle Norte 35, 895-E  
Col. Industrial Vallejo  
C.P. 02300 Azcapotzalco  
Mexico D.F.  
Phone: (55) 57194820  
3msaludocupacional@mmm.com

### Colombia

Compañía Latinoamericana de Seguridad S.A.S.  
Carrera 106 #15-25 Interior 105 Manzana 15  
Zona Franca - Bogotá, Colombia  
Phone: 57 1 6014777  
fallprotection-co@mmm.com

### Canada

260 Export Boulevard  
Mississauga, ON L5S 1Y9  
Phone: 905.795.9333  
Toll-Free: 800.387.7484  
Fax: 888.387.7484  
3Mfallprotection-ca@mmm.com

### EMEA (Europe, Middle East, Africa)

*EMEA Headquarters:*  
Le Broc Center  
Z.I. 1re Avenue - BP15  
06511 Carros Le Broc Cedex  
France  
Phone: + 33 04 97 10 00 10  
Fax: + 33 04 93 08 79 70  
informationfallprotection@mmm.com

### Australia & New Zealand

137 McCredie Road  
Guildford  
Sydney, NSW, 2161  
Australia  
Toll-Free : 1800 245 002 (AUS)  
Toll-Free : 0800 212 505 (NZ)  
3msafetyau@mmm.com

### Asia

*Singapore:*  
1 Yishun Avenue 7  
Singapore 768923  
Phone: +65-6450 8888  
Fax: +65-6552 2113  
TotalFallProtection@mmm.com

### China:

38/F, Maxdo Center, 8 Xing Yi Rd  
Shanghai 200336, P R China  
Phone: +86 21 62753535  
Fax: +86 21 52906521  
3MFallProtection-CN@mmm.com

### Korea:

3M Korea Ltd  
20F, 82, Uisadang-daero,  
Yeongdeungpo-gu, Seoul  
Phone: +82-80-033-4114  
Fax: +82-2-3771-4271  
TotalFallProtection@mmm.com

### Japan:

3M Japan Ltd  
6-7-29, Kitashinagawa, Shinagawa-ku, Tokyo  
Phone: +81-570-011-321  
Fax: +81-3-6409-5818  
psd.jp@mmm.com

WEBSITE:  
[3M.com/FallProtection](http://3M.com/FallProtection)



EU DECLARATION OF CONFORMITY:  
[3M.com/FallProtection/DOC](http://3M.com/FallProtection/DOC)