



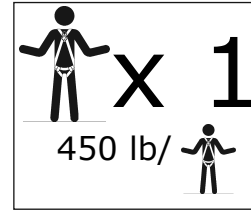
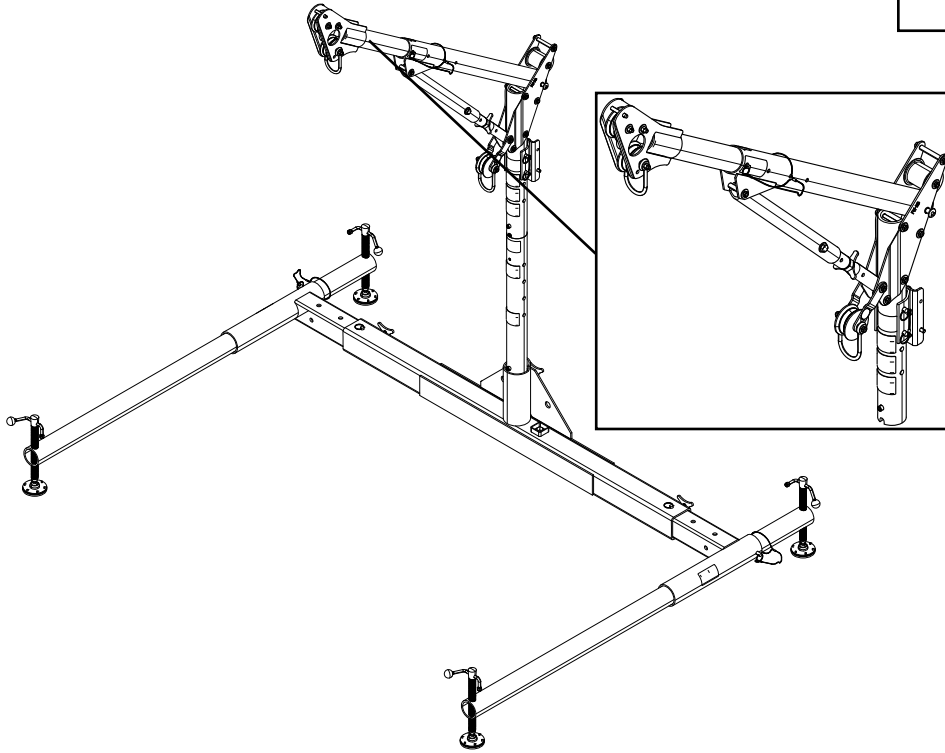
The Ultimate in Fall Protection

INSTRUCTION MANUAL

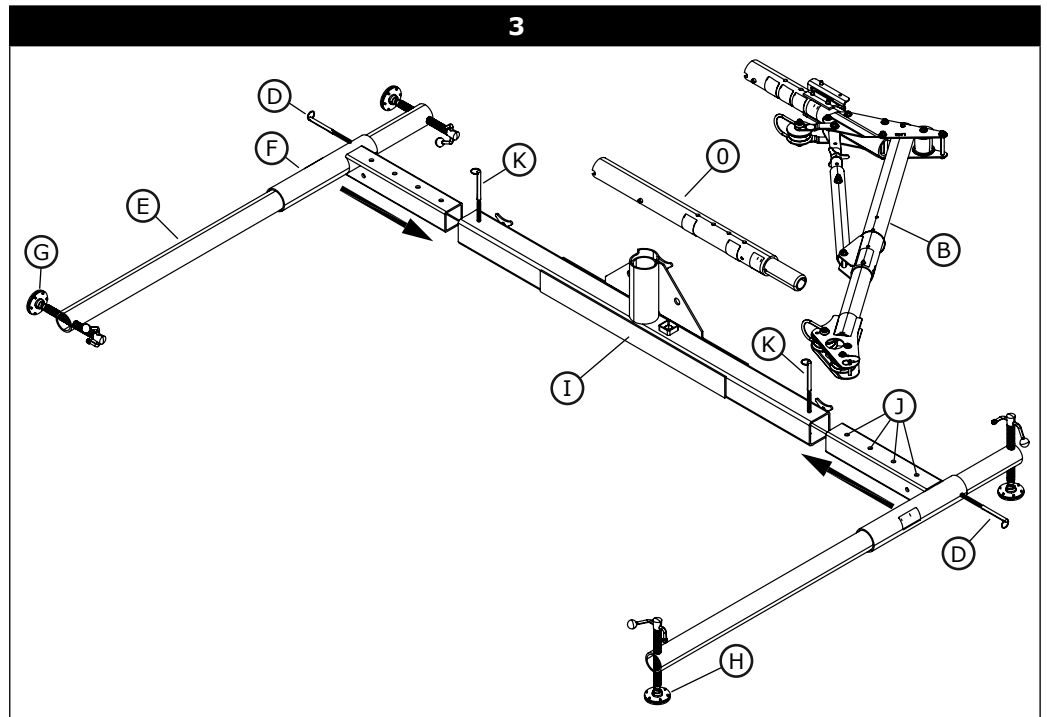
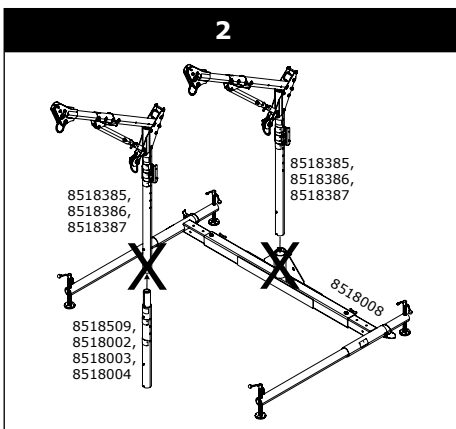
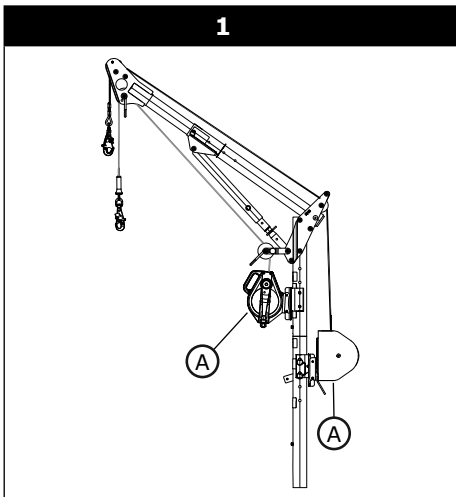
ADVANCED 24" - 44" Adjustable Offset Davit Systems

Model Numbers:

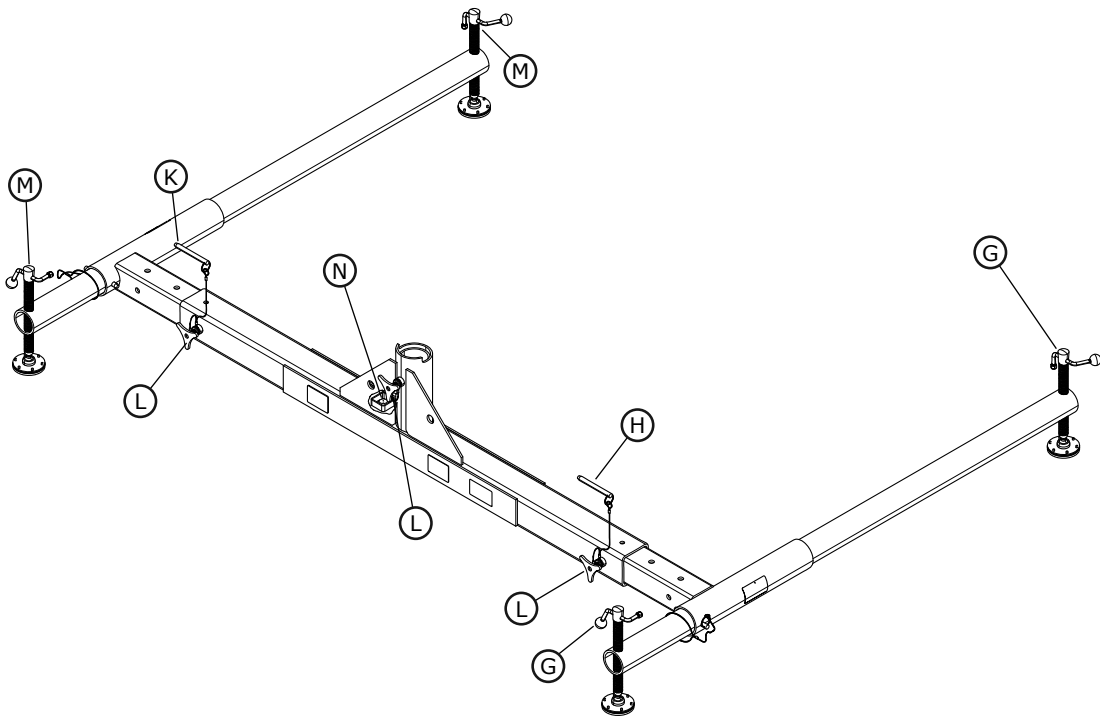
8000024	8518008	8518385	8530184	8560184
8515656	8518040	8518386	8530185	8518006AU
8518006	8518040	8518387	8530186	



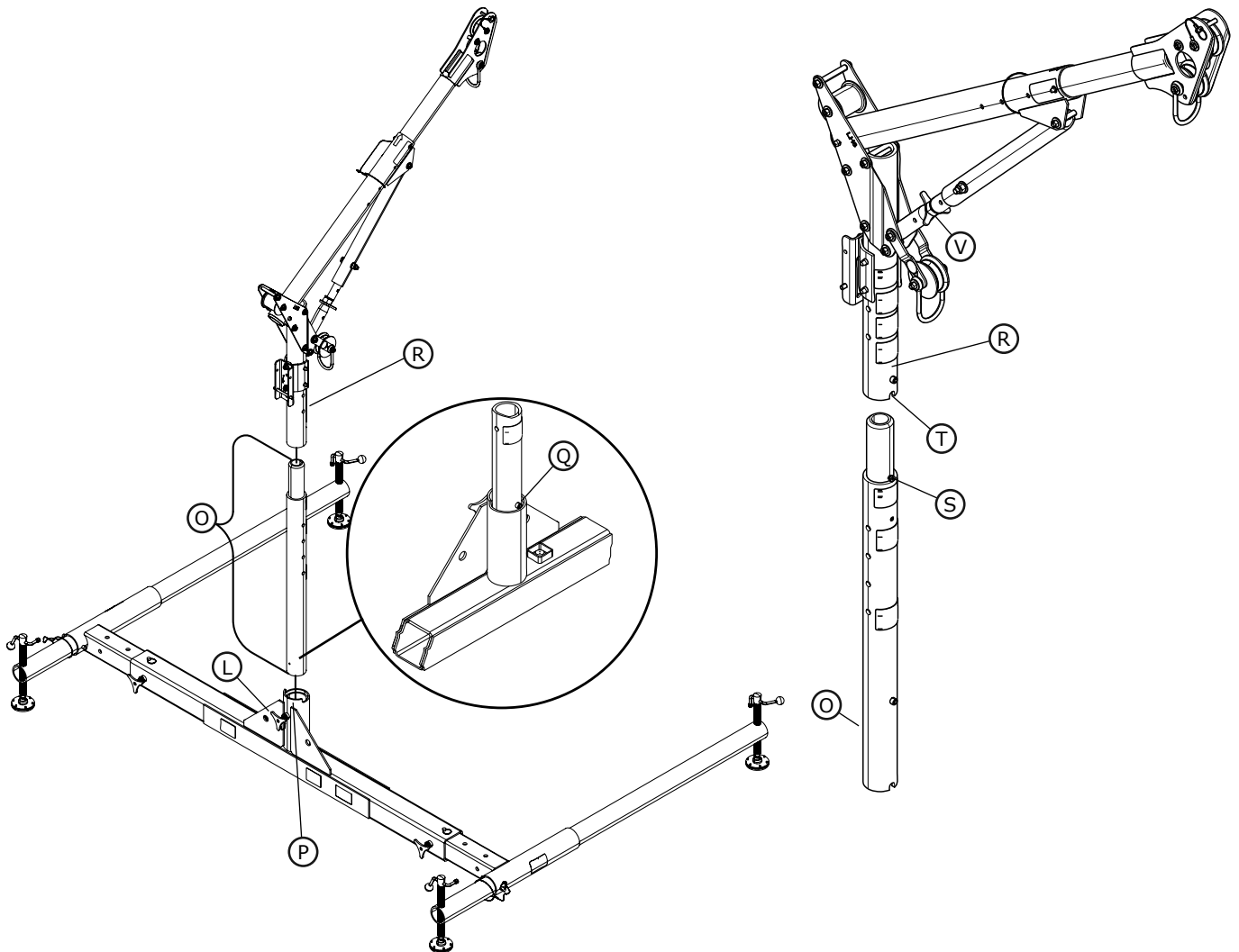
COMPONENT	MATERIAL
VARIABLE OFFSET MAST	ALUMINUM
LOWER MAST	ALUMINUM
HOIST BASE	ALUMINUM
HARDWARE	STEEL/STAINLESS STEEL
PULLEYS	NYLON

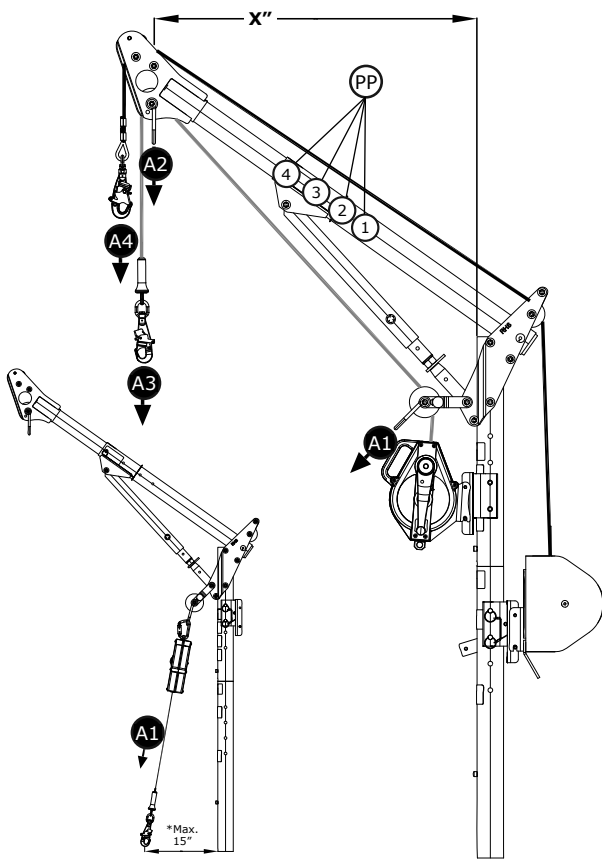


4



5

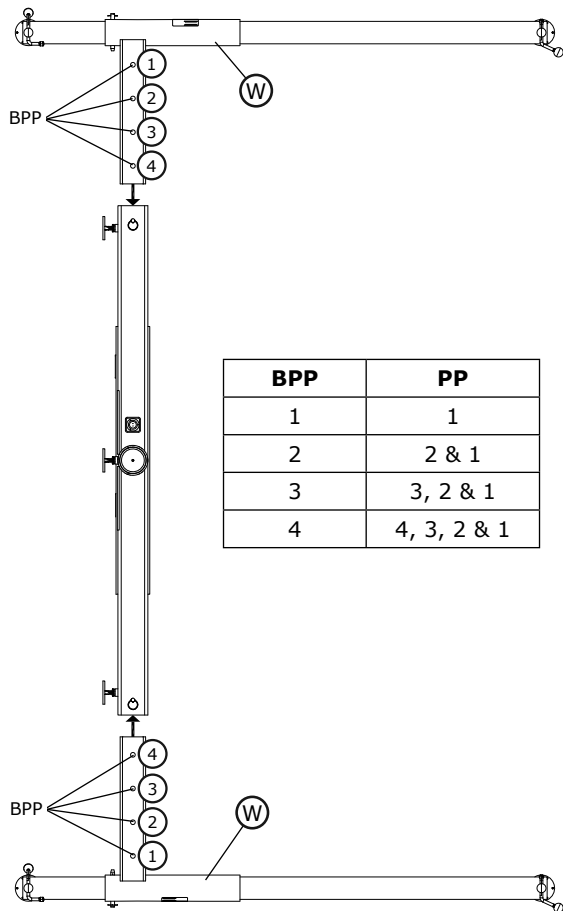




		X''			
		PP1	PP2	PP3	PP4
A2/A3	MAX	31.0" (78.7cm)	33.5" (85.0cm)	37.0" (94.0cm)	41.0" (104.1cm)
	MIN	24.0" (61.0cm)	26.0" (66.0cm)	29.0" (73.7cm)	32.0" (81.3cm)
A4	MAX	33.5" (85.0cm)	36.0" (91.4cm)	39.0" (99.0cm)	43.5" (110.5cm)
	MIN	25.0" (63.5cm)	27.0" (68.6cm)	30.0" (76.2cm)	33.0" (83.8cm)

	A#			
	PP1	PP2	PP3	PP4
A1	5,000 lbs* (22 kN)	5,000 lbs* (22 kN)	5,000 lbs* (22 kN)	5,000 lbs* (22 kN)
A2	1,800 lbs (8 kN)	1,800 lbs (8 kN)	1,800 lbs (8 kN)	1,800 lbs (8 kN)
A3	1,800 lbs (8 kN)	1,800 lbs (8 kN)	1,800 lbs (8 kN)	<i>Do Not Use</i>
A4	1,800 lbs (8 kN)	1,800 lbs (8 kN)	1,800 lbs (8 kN)	1,800 lbs (8 kN)

*5,000 lbs (22 kN) @ ≤ 15" (38 cm)



BPP	PP
1	1
2	2 & 1
3	3, 2 & 1
4	4, 3, 2 & 1

USE: The Adjustable/Variable Offset Hoist System is designed to attach to a person in order to raise or lower them to a work space. This instruction covers Advanced Variable Offset Masts with an offset range from 24 inches (61 cm) to 44 inches (112 cm). When using the 8518006 davit with a fixed base, a maximum of two mast extensions/lower masts may be combined, but must not exceed 78 inches (198.1 cm) in height. All one-piece davits (8518385, 8518386, 8518387) must not be used with mast extensions or the Portable Base (Figure 2). The Advanced Variable Offset Mast (Figure 1) may be equipped with front mounted and/or back mounted winches (A) and Self-Retracting Lifelines (SRLs). As illustrated in Figure 6, the Offset Mast is equipped with two pulleys (A3, A4) and a U-bracket (A2) which are rated as OSHA approved fall arrest anchor points when used with a device with a 900 lb average arresting force. There is also a mast mounted U-bracket (A1) which is rated as an ANSI approved anchor point when used within 15 inches of the base (see Figure 6).

IMPORTANT: When mounting Winches or SRLs on the front of the Davit, the lifeline must be routed through both bottom pulleys as shown in Figure 1.

BEFORE USE:

- All anchor points, or mounting/setup locations for permanent or portable systems must be approved by a qualified person.*
- Plan your work program before starting. Have the required people, equipment and procedures available to do the job.
- Always work in teams. One person being raised or lowered and the other pays out the line and reels it in.
- Wear appropriate protective gear, such as: a hard hat, safety glasses, protective shoes with slip resistant soles, heavy gloves, protective clothing and a face mask.
- All winch and SRL mounting parts and hardware must be supplied or approved by DBI-SALA.
- Securely anchor the winch before using.
- Use only an approved full body harness for the workers.
- Use only retractable lifelines or shock absorber with a maximum arrest force equal to or lower than the lowest rated component of your system.
- Retractable devices or shock absorbers must be installed and used in accordance with the manufacturer's instructions.
- Masts must be used with bases or sleeves approved for use with the applicable mast offset.
- Upper masts must be used with an appropriately sized lower mast.
- Where required by regulation, each installation must be approved to all applicable standards by a qualified person.¹
- All equipment must be set up and operated under the supervision of a competent person² according to the manufacturer's instructions.
- Modular components are labeled with the capacities and rating to which they were designed, tested, and manufactured. The rating of any system is considered to be the rating of the lowest rated component in the system. Do not use equipment if rating labels are damaged or illegible. New labels are available from DBI-SALA.
- Adjust the mast using the Pin Positions (PP) as noted in Step 10. Follow the maximum and minimum positions for the offset that matches your situation. Pay close attention to the base in case the base rating capacities change for different settings (offsets) of the Variable Offset Mast (e.g. pin position 4 must use base position 4).
- If overhead obstructions are in the way, adjust the screw on the gusset (V) to its collapsed position (no exposed threads). If obstructions are in front of your mast (e.g. a wall near the workspace access point) adjust the screw on the gusset (V) to its full length (maximum exposed threads).
- The system should be removed from the job site when no longer required.

INSTALLATION:

Step 1. To set up the hoist base, lay out all parts on the ground as in Figure 3.

Step 2. Remove leg pins (D) and rotate leg tubes (E) in leg sleeves (F) from transport/storage position (G) to operating position (H). Figure 3

NOTE: Leg assemblies must be in operating position (H) at all times when using the hoist.

Step 3. Insert leg sleeves (F) into base center section (I). The width of the base may be adjusted by selecting different holes (J) in the leg sleeve to install pin (K). Figure 3

NOTE: Base must be pinned into position through the hole in both the center section and the leg sleeve (K) at all times when using the hoist. Figure 4

Step 4. Tighten the tri-screws (L) after the desired width is obtained to remove play from the base. Figure 4

Step 5. Move the base into position over the opening. Adjust the base height and level using adjuster screw (M) and level indicator (N). Figure 4

NOTE: Base must be level at all times when using the hoist.

Step 6. To set up the hoist mast assembly, insert the lower mast (O) into base sleeve (P). Figure 5

Step 7. Make sure the stop dog (Q) faces the front of the sleeve (P), and that the lower mast (O) rotates freely throughout its range of rotation. Figure 5

1 Qualified Person: An individual with a recognized degree or professional certificate, and extensive knowledge and experience in the subject field, who is capable of design, analysis, evaluation, and specification in the subject work, project, or product.

2 Competent person: An individual who is knowledgeable of a manufacturer's recommendations, instructions and manufactured components who is capable of identifying existing and predictable hazards in the proper selection, use and maintenance of fall protection.

- Step 8.** Lock the lower mast (O) into position by tightening the tri-screw (L). Do not over tighten as this may interfere with mast rotation in a rescue situation. Figure 5
- Step 9.** Install the upper mast assembly (R). Make sure that the locating key (S) on the lower mast (O) completely engages the key way slot (T) of the upper mast (R). Figure 5
- Step 10.** To avoid tipping the base when swinging the mast side to side, adjust the base according to the following:
- **Determine the maximum operating offset of the Variable Offset Mast.** See Figure 6. Pin Positions 1-4 (PP) regulate the Top Pulley (A4) and Bottom Pulley (A3) offsets. The table in Figure 6 shows the maximum offset (MAX) and minimum offset (MIN) for each pulley in all 4 pin positions. Maximum offset is determined when the adjustable gusset (V) is fully collapsed (no visible threads). Minimum offset is determined when the adjustable gusset is fully extended. *Note: In Figure 6 the Variable Offset Mast is in Pin Position 4 with the gusset fully collapsed.*
 - **Adjust the base according to the positions diagram shown for the base (W) and match the Base Pin Position (BPP) setting with the setting of the Variable Offset Mast Pin Position (PP)** (e.g. Mast Pin Position 4 must use Base Pin Position 4). See table in Figure 7.
 - **Level the base by adjusting the screw legs (M) to center the bubble in the level indicator (N).** Figure 4

ENVIRONMENTAL HAZARDS: Use of this equipment in areas with environmental hazards may require additional precautions to reduce the possibility of injury to the user or damage to the equipment. Hazards include, but are not limited to: corrosion, chemicals, toxic gasses, heat, moving machinery, noise, sharp edges, and electrical hazards. Do not operate during electrical storms. Contact DBI-SALA if you have questions regarding use of this equipment where environmental hazards exist.

MAINTENANCE: Clean the equipment weekly as required, to thoroughly inspect all welds, labels, pins, fasteners, pulleys, rollers, brackets and parts. Annually, clean the unit thoroughly, using a damp cloth and a mild soap solution.

INSPECTION:

- **Before each installation,** inspect each system component in accordance with the individual manufacturer’s instructions. Do not use if visible signs of deterioration or damage are present.
- **Before each use,** visually inspect per the following steps:
 - Step 1.** Inspect all structural parts for damage: dents, cracked welds, bent or crushed tubes.
 - Step 2.** Inspect all hardware (pins, tri-screws, adjuster screws, nuts, bolts, pulleys, rollers and winch brackets) for damaged threads, bent, damaged or missing fasteners, or loose fasteners. Check all pulleys and rollers for chips, grooves and excessive wear. Ensure that all pulleys and rollers turn freely.
 - Step 3.** Inspect all equipment for missing, damaged or otherwise illegible warning stickers. Damaged, missing or otherwise illegible labels must be replaced before using the hoist.
 - Step 4.** Additional equipment such as winches, self-retracting lifelines (SRLs), work positioning or fall-arrest equipment being used with your Hoist System must be installed, inspected, maintained and operated according to the manufacturer’s instruction. All installations must be approved to local standards by a qualified person.
 - Step 5.** Do not use the hoist system if inspection reveals an unsafe or defective condition. Repair or replace the system before the next use.
- **Weekly:** Perform a complete visual inspection of equipment as outlined above. Clean equipment as required to thoroughly inspect all welds, labels, pins, fasteners, pulleys, rollers, brackets and parts. Record the inspection date and results in the ‘*Inspection and Maintenance Log*’. If any problems are found do not use. Return to authorized service center for repair.
- **Annually:** The Hoist System must be inspected by a competent person at least annually. Record the inspection date and results in the ‘*Inspection and Maintenance Log*’. If any problems are found do not use until equipment has been repaired by an authorized service center. Do not attempt to modify or repair this unit.

IMPORTANT: Extreme working conditions (harsh environment, prolonged use, etc.) may require increased frequency of inspections.

PRODUCT LIFE: As long as the Hoist System passes inspection by a competent person,* it may remain in service.

SPECIFICATIONS:³

- *Capacity:* One user with a maximum weight of 450 lbs. (205 kg) on line during operation.
- *Working Load Limit:* Minimum 4:1 safety factor

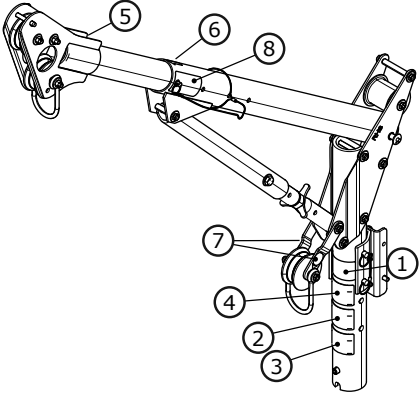
IMPORTANT: Per ANSI Z359.4; for rescue a 5:1 safety factor is maintained up to a maximum weight of 310 lbs. (141 kg).

- *Performance Load Ratings:*
 - A1 Anchor: ANSI Z359.1, OSHA 1926.502
 - A2 Anchor: OSHA 1926.502
 - A3 Anchor: OSHA 1926.502
 - A4 Anchor: OSHA 1926.502
- *Davit Arm Weight:* 31.1 lbs (14.1 kg) - 50.0 lbs (22.7 kg)
- *5-Piece Base Weight:* 119.0 lbs (54.0 kg)
- *Finish:* Fluorescent Green Powder Coat Paint

3 Specifications: Refer to product markings for additional information.

LABELS:

The following labels must be present on your system and must be legible.



9504547 Rev F

DBI
SALA

www.capitalsafety.com
Capital Safety
Red Wing, MN, USA
+1-800-328-6146

SERIAL NO. XXXXX

MFRD(Y/M): LOT NO.: MODEL NO.: LENGTH (FT.):

8514756 Rev. C

WARNING
AVERTISSEMENT

Refer to the Warning Label containing information on the working load and Average Arresting Force of this mast. This mast has offset(s) of:

Reportez-vous à l'étiquette d'avertissement contenant des informations sur la charge de travail et de la force d'arrêt moyenne de ce mât. Ce mât a compensé (s) de:

6"	12"	18"	24"	30"	36"	48"
15,24 cm	30,48 cm	45,72 cm	60,96 cm	76,2 cm	91,44 cm	121,92 cm

WARNING/AVERTISSEMENT

This component is rated for a working load of 450 lb. (205 kg). Retractable devices or shock absorbers must have an AVERAGE ARRESTING FORCE OF 900 lb. (4kN) OR LESS, to provide a safety factor of 2:1. System rating is that of the lowest rated system component.

Cette composant est conçu pour une charge de travail de 450 lb (205 kg). Des dispositifs rétractables ou amortisseurs doit avoir une moyenne force d'arrêt de 900 lb (4 kN) ou moins, pour fournir un facteur de sécurité de 2:1.

Classement du Système est celui de la composante plus bas nominale système

8513219 Rev. C

WARNING

YOU MUST READ AND UNDERSTAND THE OPERATOR'S MANUAL OR HAVE INSTRUCTIONS EXPLAINED TO YOU BEFORE USING THIS PRODUCT.

Not following the instructions in the operator's manual can cause serious injury or death.

P/# 15570

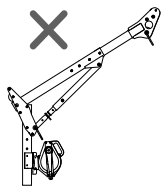
ANSI Z359.1

9520660 Rev B

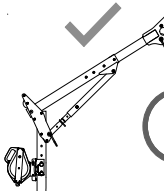
22 kN
(5000 lb)

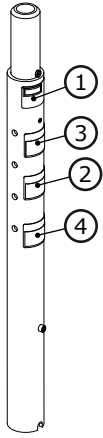
9513069 Rev. A

✗



✓





9504547 Rev F

DBI
SALA®

www.capitalsafety.com
Capital Safety
Red Wing, MN, USA
+1-800-328-6146

SERIAL NO. XXXXX

MFRD(Y/M): LOT NO.: MODEL NO.: LENGTH (FT):

②

WARNING

Winches or blocks are not to be mounted to the front side of lower masts or mast extensions.

Pt# 8513423

③

WARNING

YOU MUST READ AND UNDERSTAND THE OPERATOR'S MANUAL OR HAVE INSTRUCTIONS EXPLAINED TO YOU BEFORE USING THIS PRODUCT.

Not following the instructions in the operator's manual can cause serious injury or death.

Pt# 15570

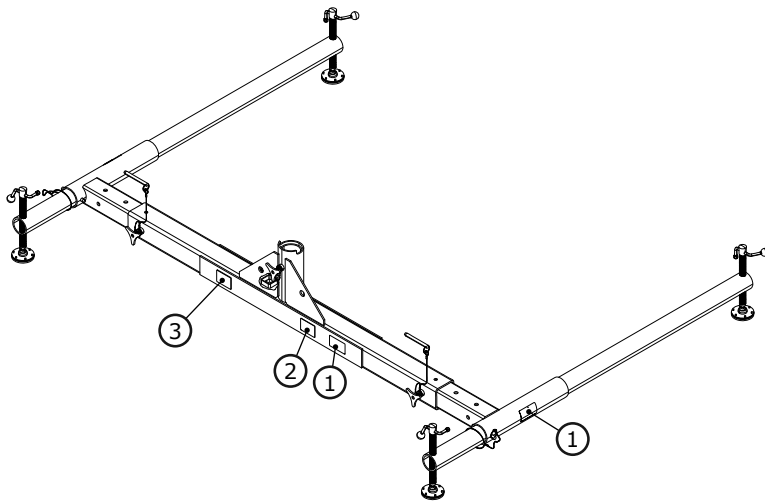
④

WARNING/AVERTISSEMENT

This component is rated for a working load of 450 lb. (205 kg). Retractable devices or shock absorbers must have an AVERAGE ARRESTING FORCE OF 900 lb. (4kN) OR LESS, to provide a safety factor of 2:1. System rating is that of the lowest rated system component.

Cette composant est conçu pour une charge de travail de 450 lb (205 kg). Des dispositifs rétractables ou amortisseurs doit avoir une moyenne force d'arrêt de 900 lb (4 kN) ou moins, pour fournir un facteur de sécurité de 2:1.

Classement du Système est celui de la composante plus bas nominale système 8513219 Rev. C



9504547 Rev F

DBI
SALA®

www.capitalsafety.com
Capital Safety
Red Wing, MN, USA
+1-800-328-6146

SERIAL NO. XXXXX

MFRD(Y/M): LOT NO.: MODEL NO.: LENGTH (FT):

②

WARNING

This base is to be used only with the following offsets:

6" 12" 18" 24" 30" 36" 48"

Pt# 8514755

③

WARNING

YOU MUST READ AND UNDERSTAND THE OPERATOR'S MANUAL OR HAVE INSTRUCTIONS EXPLAINED TO YOU BEFORE USING THIS PRODUCT.

Not following the instructions in the operator's manual can cause serious injury or death.

Pt# 15570

<p style="text-align: center;">LIMITED LIFETIME WARRANTY</p> <p>Warranty to End User: D B Industries, LLC dba CAPITAL SAFETY USA ("CAPITAL SAFETY") warrants to the original end user ("End User") that its products are free from defects in materials and workmanship under normal use and service. This warranty extends for the lifetime of the product from the date the product is purchased by the End User, in new and unused condition, from a CAPITAL SAFETY authorized distributor. CAPITAL SAFETY'S entire liability to End User and End User's exclusive remedy under this warranty is limited to the repair or replacement in kind of any defective product within its lifetime (as CAPITAL SAFETY in its sole discretion determines and deems appropriate). No oral or written information or advice given by CAPITAL SAFETY, its distributors, directors, officers, agents or employees shall create any different or additional warranties or in any way increase the scope of this warranty. CAPITAL SAFETY will not accept liability for defects that are the result of product abuse, misuse, alteration or modification, or for defects that are due to a failure to install, maintain, or use the product in accordance with the manufacturer's instructions.</p> <p>CAPITAL SAFETY'S WARRANTY APPLIES ONLY TO THE END USER. THIS WARRANTY IS THE ONLY WARRANTY APPLICABLE TO OUR PRODUCTS AND IS IN LIEU OF ALL OTHER WARRANTIES AND LIABILITIES, EXPRESSED OR IMPLIED. CAPITAL SAFETY EXPRESSLY EXCLUDES AND DISCLAIMS ANY IMPLIED WARRANTIES OF MERCHANTABILITY OR FITNESS FOR A PARTICULAR PURPOSE, AND SHALL NOT BE LIABLE FOR INCIDENTAL, PUNITIVE OR CONSEQUENTIAL DAMAGES OF ANY NATURE, INCLUDING WITHOUT LIMITATION, LOST PROFITS, REVENUES, OR PRODUCTIVITY, OR FOR BODILY INJURY OR DEATH OR LOSS OR DAMAGE TO PROPERTY, UNDER ANY THEORY OF LIABILITY, INCLUDING WITHOUT LIMITATION, CONTRACT, WARRANTY, STRICT LIABILITY, TORT (INCLUDING NEGLIGENCE) OR OTHER LEGAL OR EQUITABLE THEORY.</p>	<p style="text-align: center;">GARANTIE LIMITÉE SUR LA DURÉE DE VIE</p> <p>Garantie offerte à l'utilisateur final : D B Industries, LLC dba CAPITAL SAFETY USA (« CAPITAL SAFETY ») garantit à l'utilisateur final d'origine (« Utilisateur final ») que les produits sont libres de tout défaut matériel et de fabrication dans des conditions normales d'utilisation et de service. Cette garantie couvre toute la durée de vie du produit, de sa date d'achat à l'état neuf et inutilisé par l'utilisateur auprès d'un distributeur agréé CAPITAL SAFETY. La responsabilité intégrale de Capital Safety et le seul recours du Client dans le cadre de cette garantie se limitent à la réparation ou le remplacement en nature des produits défectueux pendant leur durée de vie (à la seule discrétion de Capital Safety et selon ce qu'elle juge approprié). Aucun renseignement ou avis oral ou écrit fourni par CAPITAL SAFETY, ses détaillants, administrateurs, cadres, distributeurs, mandataires ou employés ne représentera une garantie ou n'augmentera de quelque manière la portée de la présente garantie limitée. CAPITAL SAFETY n'accepte aucune responsabilité pour les défauts causés par un abus, une utilisation abusive, une altération ou une modification, ou pour les défauts causés par le non-respect des instructions du fabricant relatives à l'installation, à l'entretien ou à l'utilisation du produit.</p> <p>CETTE GARANTIE CAPITAL SAFETY S'APPLIQUE UNIQUEMENT À L'UTILISATEUR FINAL. ELLE EST LA SEULE GARANTIE APPLICABLE À NOS PRODUITS. ELLE EXCLUT TOUTE AUTRE GARANTIE EXPRESSE OU IMPLICITE. CAPITAL SAFETY EXCLUT EXPLICITEMENT ET DÉCLINE TOUTE GARANTIE IMPLICITE DE MISE EN MARCHÉ ET D'ADAPTATION À DES FINS PARTICULIÈRES, ET NE SERA RESPONSABLE POUR AUCUN DOMMAGE-INTÉRÊT DIRECT OU INDIRECT, CORRÉLATIF OU ACCESSOIRE DE TOUTE NATURE Y COMPRIS ET DE MANIÈRE NON LIMITATIVE, LES PERTES DE PROFITS, LES REVENUS OU LA PRODUCTIVITÉ, LES BLESSURES CORPORELLES, VOIRE LA MORT OU DOMMAGES À LA PROPRIÉTÉ, DANS LE CADRE DE TOUTE THÉORIE DE RESPONSABILITÉ, Y COMPRIS ET DE MANIÈRE NON LIMITATIVE UN CONTRAT, UNE GARANTIE, UNE RESPONSABILITÉ (Y COMPRIS LA NÉGLIGENCE) OU TOUTE AUTRE THÉORIE LÉGALE OU ÉQUITABLE.</p>
<p style="text-align: center;">GARANTÍA LIMITADA DE POR VIDA</p> <p>Garantía para el usuario final: D B Industries, LLC, que opera bajo el nombre de CAPITAL SAFETY USA ("CAPITAL SAFETY") garantiza al usuario final original ("Usuario final") que sus productos están libres de defectos de materiales y de mano de obra en condiciones normales de uso y mantenimiento. Esta garantía se extiende durante la vida útil del producto a partir de la fecha en que el Usuario final adquiere el producto, nuevo y sin uso, a un distribuidor autorizado de CAPITAL SAFETY. La entera responsabilidad de CAPITAL SAFETY hacia el Usuario final y el remedio exclusivo para el Usuario final bajo esta garantía están limitados a la reparación o el reemplazo por materiales de todo producto defectuoso dentro de su vida útil (según CAPITAL SAFETY lo determine y considere apropiado a su solo criterio). Ninguna información o asesoramiento, oral o escrito, proporcionado por CAPITAL SAFETY, sus distribuidores, directores, funcionarios, agentes o empleados creará una garantía diferente o adicional ni aumentará de ninguna manera el alcance de esta garantía. CAPITAL SAFETY no aceptará responsabilidad por defectos resultantes del abuso, el uso incorrecto, la alteración o la modificación del producto, ni por defectos resultantes de no respetar las instrucciones del fabricante durante la instalación, el mantenimiento o el uso del producto.</p> <p>LA GARANTÍA DE CAPITAL SAFETY SE APLICA ÚNICAMENTE AL USUARIO FINAL. ESTA GARANTÍA ES LA ÚNICA GARANTÍA QUE SE APLICA A NUESTROS PRODUCTOS Y REEMPLAZA A TODAS LAS OTRAS GARANTÍAS Y RESPONSABILIDADES, EXPRESAS O IMPLÍCITAS. CAPITAL SAFETY EXPRESAMENTE EXCLUYE Y RENUNCIA A TODAS LAS GARANTÍAS IMPLÍCITAS DE COMERCIABILIDAD O APTITUD PARA UN PROPÓSITO PARTICULAR, Y NO SERÁ RESPONSABLE POR DAÑOS INCIDENTALES, PUNITIVOS O EMERGENTES DE NINGUNA NATURALEZA, INCLUYENDO SIN LIMITACIÓN PÉRDIDAS DE INGRESOS, GANANCIAS O PRODUCTIVIDAD; NI POR LESIONES CORPORALES O MUERTE, O PÉRDIDA DE O DAÑO A LA PROPIEDAD, BAJO CUALQUIER TEORÍA DE RESPONSABILIDAD, INCLUYENDO SIN LIMITACIÓN CONTRATO, GARANTÍA, RESPONSABILIDAD ESTRUCTA, AGRAVIO (INCLUIDA NEGLIGENCIA) O CUALQUIER OTRA TEORÍA LEGAL O EQUITATIVA.</p>	<p style="text-align: center;">GARANTIA DE VIDA ÚTIL</p> <p>Garantia ao usuário final: a D B Industries, LLC, sob o nome comercial de CAPITAL SAFETY USA ("CAPITAL SAFETY") garante ao usuário final original ("Usuário Final") que seus produtos estão livres de defeitos nos materiais e mão de obra sob uso e serviço normais. A garantia se estende pela vida útil do produto a partir da data de compra do produto pelo Usuário Final, em condições novas e sem uso, de um distribuidor autorizado da CAPITAL SAFETY. Toda a responsabilidade da CAPITAL SAFETY perante o Usuário Final e o único recurso do Usuário Final nos termos desta garantia estão limitados ao reparo em espécie do produto com defeito dentro de sua vida útil (como a CAPITAL SAFETY, a seu exclusivo critério, determinar e considerar apropriado). Nenhuma informação ou aconselhamento verbal ou por escrito dados pela CAPITAL SAFETY, seus distribuidores, diretores, executivos, agentes ou funcionários criará alguma garantia diferente ou adicional nem poderá, de modo algum, aumentar o alcance desta Garantia. A CAPITAL SAFETY não se responsabilizará por defeitos que sejam o resultado de abuso, uso indevido, alteração ou modificação do produto, ou por defeitos resultantes de falha na instalação, manutenção ou uso do produto de acordo com as instruções do fabricante.</p> <p>A GARANTIA DA CAPITAL SAFETY SE APLICA SOMENTE AO USUÁRIO FINAL. ESTA GARANTIA É A ÚNICA APLICÁVEL A Nossos produtos e substitui todas as outras garantias e responsabilidades, expressas ou implícitas. A CAPITAL SAFETY EXCLUÍ EXPRESSAMENTE E REFUTA QUAISQUER GARANTIAS EXPLÍCITAS DE COMERCIABILIDADE OU ADEQUAÇÃO A DETERMINADO FIM, E NÃO SERÁ RESPONSÁVEL POR DANOS INCIDENTES, PUNITIVOS OU CONSEQUENTES DE QUALQUER NATUREZA, INCLUINDO, ENTRE OUTROS, LUCROS CESSANTES, PERDA DE RECEITA OU PRODUTIVIDADE, OU POR FERIMENTOS PESSOAIS OU MORTE OU PERDA OU DANOS À PROPRIEDADE, SOB QUALQUER TEORIA DE RESPONSABILIDADE, INCLUINDO, ENTRE OUTRAS, A TEORIA AQUILIANA, DE GARANTIA, DE RESPONSABILIDADE OBJETIVA, DE ATO ILÍCITO (INCLUINDO NEGLIGÊNCIA) OU OUTRA JURÍDICA OU EQUITATIVA.</p>

**USA**

3833 SALA Way
Red Wing, MN 55066-5005
Toll Free: 800.328.6146
Phone: 651.388.8282
Fax: 651.388.5065
solutions@capitalsafety.com

Brazil

Rua Anne Frank, 2621
Boqueirão Curitiba PR
81650-020
Brazil
Phone: 0800-942-2300
brasil@capitalsafety.com

Mexico

Calle Norte 35, 895-E
Col. Industrial Vallejo
C.P. 02300 Azcapotzalco
Mexico D.F.
Phone: (55) 57194820
mexico@capitalsafety.com

Colombia

Compañía Latinoamericana de Seguridad S.A.S.
Carrera 106 #15-25 Interior 105 Manzana 15
Zona Franca - Bogotá, Colombia
Phone: 57 1 6014777
servicioalcliente@capitalsafety.com

Canada

260 Export Boulevard
Mississauga, ON L5S 1Y9
Phone: 905.795.9333
Toll-Free: 800.387.7484
Fax: 888.387.7484
info.ca@capitalsafety.com

EMEA (Europe, Middle East, Africa)

EMEA Headquarters:
5a Merse Road
North Moons Moat
Redditch, Worcestershire
B98 9HL UK
Phone: + 44 (0)1527 548 000
Fax: + 44 (0)1527 591 000
csgne@capitalsafety.com

France:

Le Broc Center
Z.I. 1re Avenue - BP15
06511 Carros Le Broc Cedex
France
Phone: + 33 04 97 10 00 10
Fax: + 33 04 93 08 79 70
information@capitalsafety.com

Australia & New Zealand

95 Derby Street
Silverwater
Sydney NSW 2128
Australia
Phone: +(61) 2 8753 7600
Toll-Free : 1800 245 002 (AUS)
Toll-Free : 0800 212 505 (NZ)
Fax: +(61) 2 8753 7603
sales@capitalsafety.com.au

Asia*Singapore:*

69, Ubi Road 1, #05-20
Oxley Bizhub
Singapore 408731
Phone: +65 - 65587758
Fax: +65 - 65587058
inquiry@capitalsafety.com

Shanghai:

Rm 1406, China Venturetech Plaza
819 Nan Jing Xi Rd,
Shanghai 200041, P R China
Phone: +86 21 62539050
Fax: +86 21 62539060
inquiry@capitalsafety.cn

www.capitalsafety.com

