



Fall Protection

ANSI Z359.18
Type A

OSHA 1926.502
OSHA 1910.140

FIXED BEAM ANCHOR

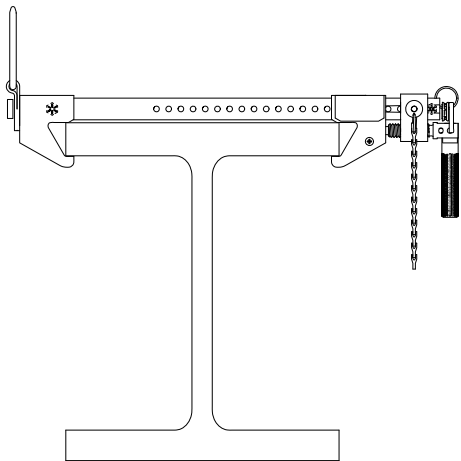
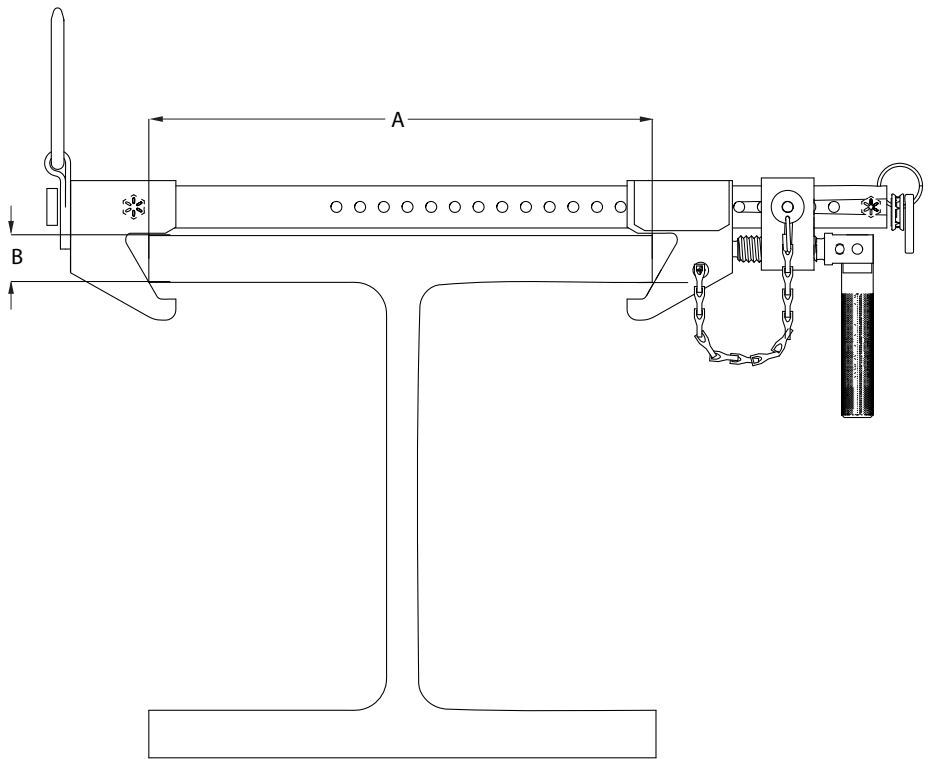
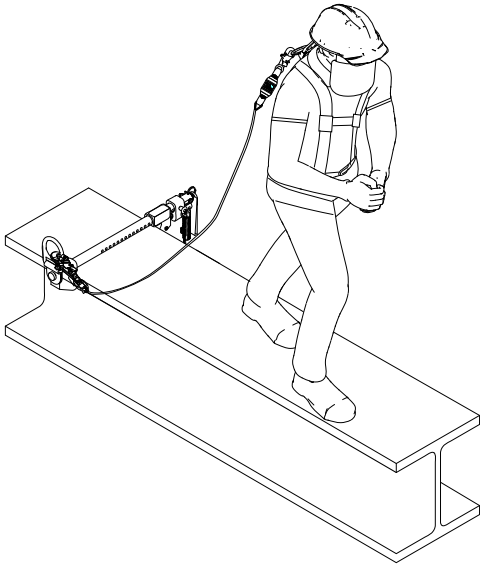
Anchorage Connector

USER INSTRUCTION MANUAL

5909098 Rev. H

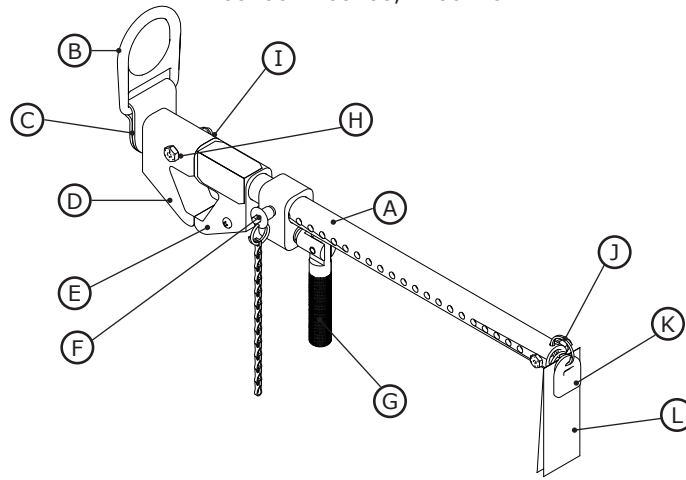
1

				A	B	OSHA 1926.502 / 1910.140	ANSI Z359.18 Type A
	2108406	2.5 in x 4 in x 20 in	5.2 lbs	2.5 in - 12 in	≤ 1.5 in	✓	✓
	2108407	2.5 in x 4 in x 26 in	5.9 lbs	2.5 in - 18 in	≤ 1.5 in	✓	✓
	2108408	2.5 in x 4 in x 32 in	6.7 lbs	2.5 in - 24 in	≤ 1.5 in	✓	✓
	2108410	2.5 in x 5 in x 45 in	9.1 lbs	12 in - 36 in	1.5 - 2.5 in	✓	



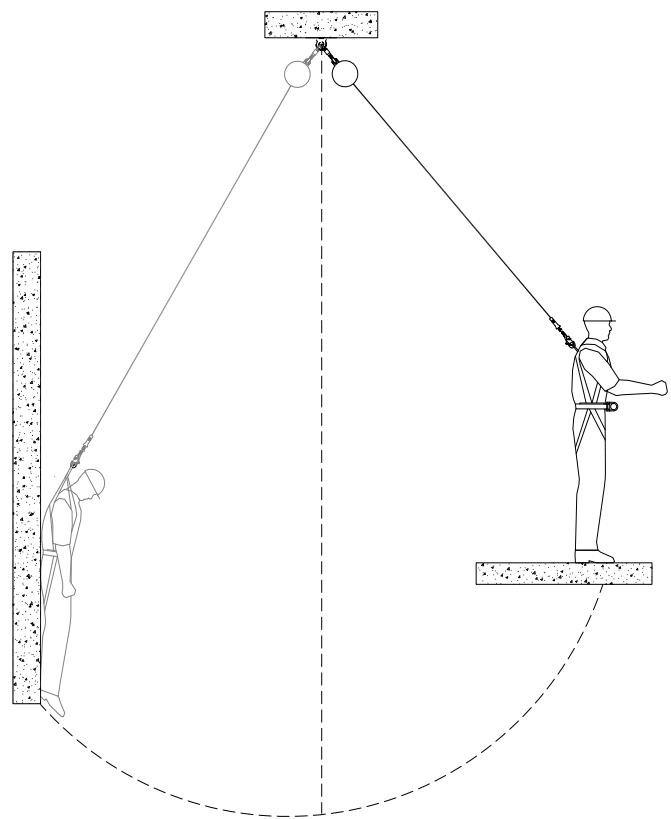
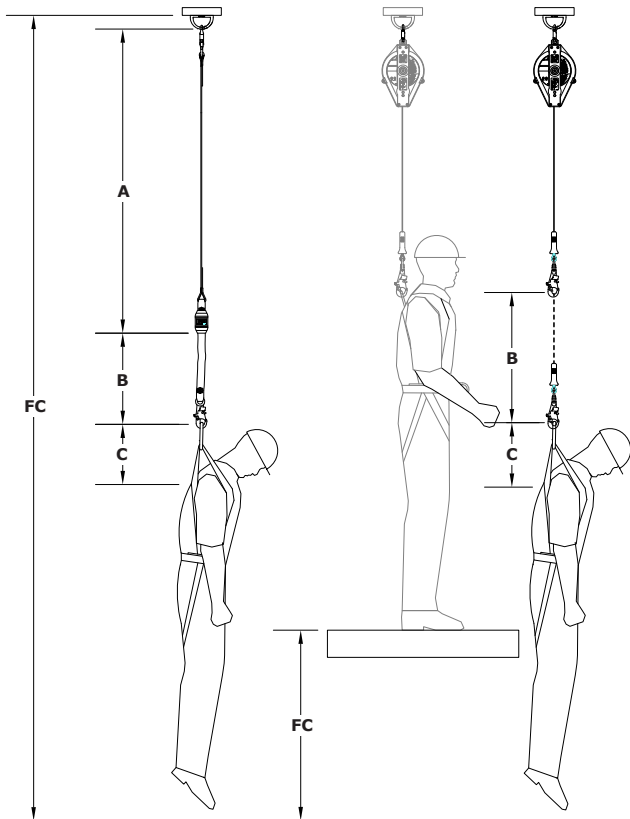
2

2108406-2108408, 2108410



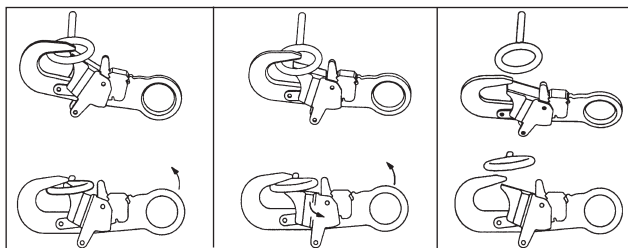
3

4



5

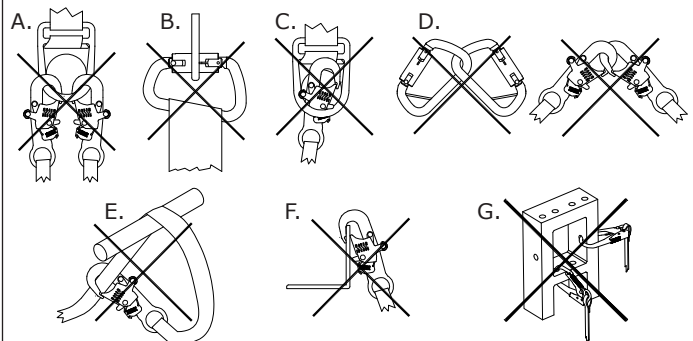
6



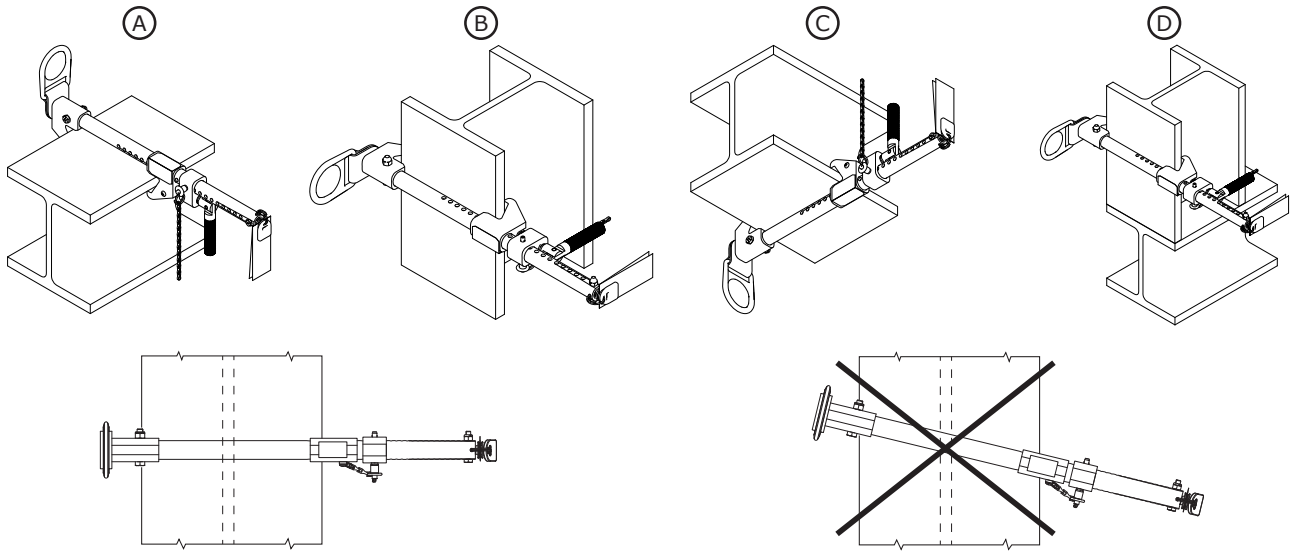
A

B

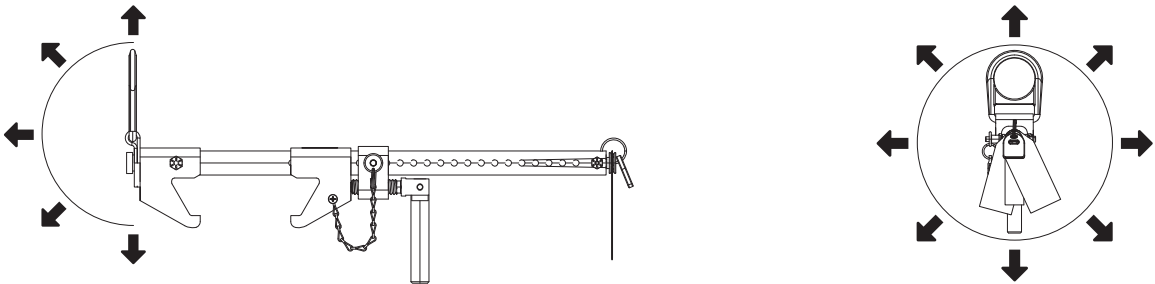
C



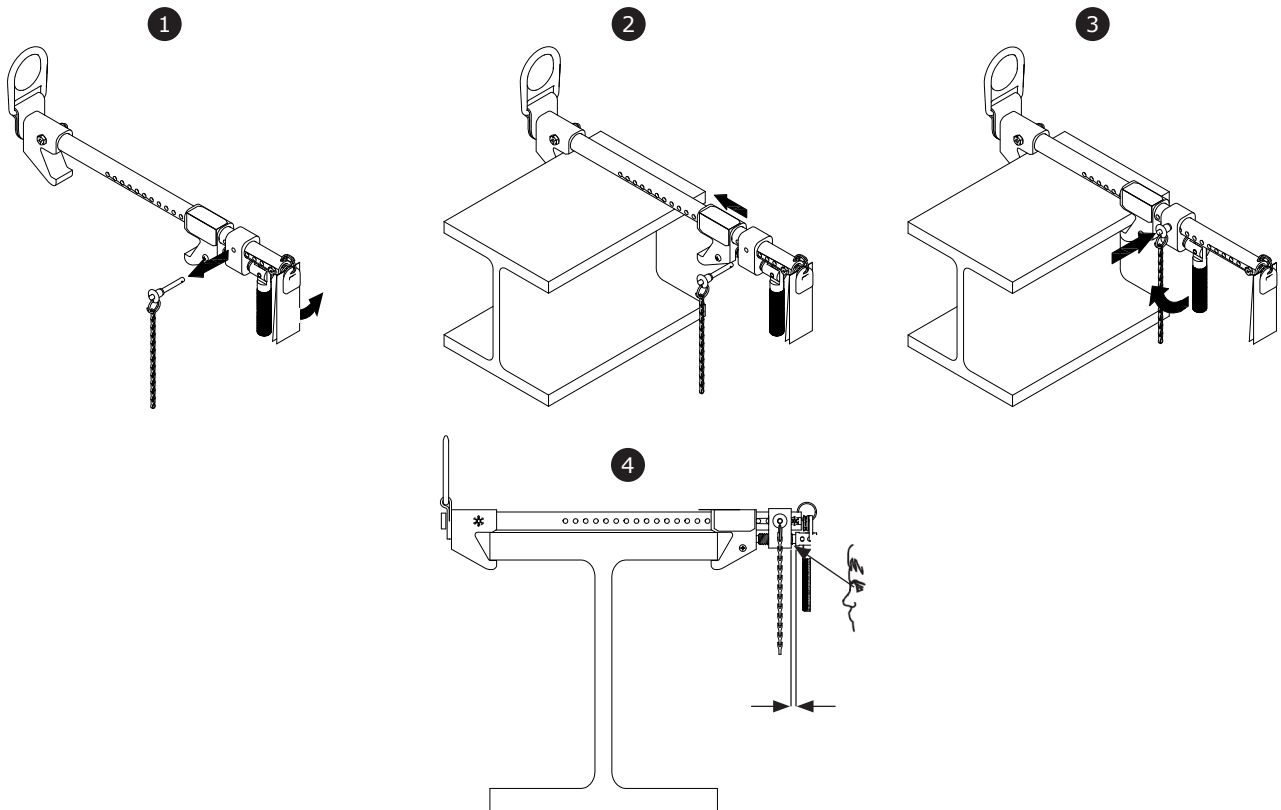
7

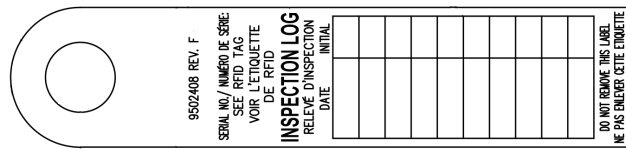
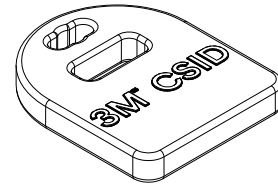
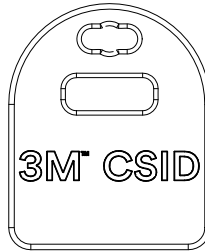
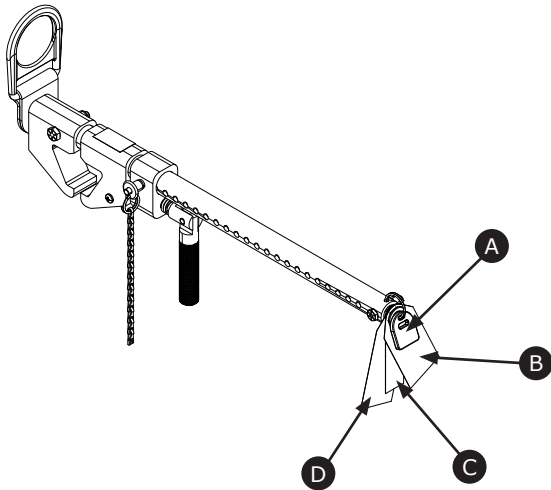
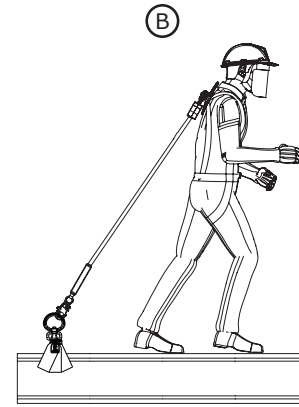
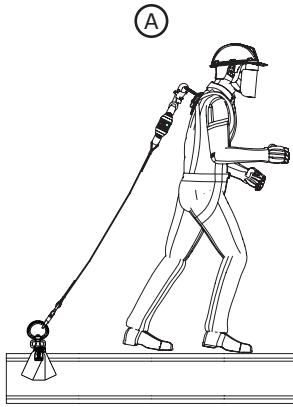


8



9





9503308 Rev. C

FIXED BEAM ANCHOR

MFRD(YR/MO)/LOT: MODEL NO: STD:

Fall Protection

INSPECTION: Inspect anchor before each use. Do not use if inspection reveals an unsafe or defective condition. Do not remove this label.

This product complies with standards as marked below:
 A = ANSI Z359.1
 B = ANSI Z359.18 Type A
 C = OSHA 1925.502 & 1910.140

SPECIFICATIONS: Minimum breaking strength is 5000 lbs. Maximum capacity is one person with a maximum weight of 310 pounds ANSI, 420 pounds OSHA when used as a single point anchorage connector for a personal fall arrest or restraint system. Do not exceed capacity of this or other system components. Materials of construction: D-ring, support tube, and fasteners - zinc plated steel and alloy steel; hook ends, adjustment block and handle - high strength aluminum; d-ring bracket and locking detent pin - stainless steel. ANSI Minimum service temp: - 40°F (-40°C). The flange sizes suitable for mounting this device are specified below.

Model No.	Flange Thickness	Flange Width
2108406	up to 1 1/2"	2 1/2" to 12"
2108407	up to 1 1/2"	2 1/2" to 18"
2108408	up to 1 1/2"	2 1/2" to 24"
2108410	1/2" to 2 1/2"	12" to 36"
2108417	1 1/2" to 3"	36" to 60"

▲ WARNING

9503307 Rev. B
 Manufacturer's instructions supplied with this product at time of shipment must be followed for proper use, maintenance, and inspection. Use only with ANSI/OSHA approved personal fall arrest or restraint systems. Ensure fixed beam anchor is adjusted tightly on beam flange. Make only compatible connections. Alteration or misuse of this product, or failure to follow instructions may result in serious injury or death. Items subject to fall arrest or impact forces must be immediately removed from service and destroyed. Do not remove this label.

Fall Protection

Fixed Beam Anchor

3M.com/FallProtection

SAFETY INFORMATION

Please read, understand, and follow all safety information contained in these instructions prior to the use of this Anchorage Connector. FAILURE TO DO SO COULD RESULT IN SERIOUS INJURY OR DEATH.

These instructions must be provided to the user of this equipment. Retain these instructions for future reference.

Intended Use:

This Anchorage Connector is intended for use as part of a complete personal fall protection system.

Use in any other application including, but not limited to, material handling, recreational or sports related activities, or other activities not described in the User Instructions, is not approved by 3M and could result in serious injury or death.

This device is only to be used by trained users in workplace applications.

WARNING

This Anchorage Connector is part of a personal fall protection system. It is expected that all users be fully trained in the safe installation and operation of their personal fall protection system. **Misuse of this device could result in serious injury or death.** For proper selection, operation, installation, maintenance, and service, refer to these User Instructions and all manufacturer recommendations, see your supervisor, or contact 3M Technical Service.

- **To reduce the risks associated with working with an Anchorage Connector which, if not avoided, could result in serious injury or death:**
 - Inspect the device before each use, at least annually, and after any fall event. Inspect in accordance with the User Instructions.
 - If inspection reveals an unsafe or defective condition, remove the device from service and repair or replace according to the User Instructions.
 - Any device that has been subject to fall arrest or impact force must be immediately removed from service and destroyed.
 - The device must only be installed in the specified substrates or on structures detailed in the User Instructions. Installations and use outside the scope of this instruction must be approved by 3M Fall Protection.
 - The substrate or structure to which the anchorage connector is attached must be able to sustain the static loads specified for the anchor in the orientations permitted in the User Instructions.
 - Only connect other fall protection subsystems to the designated anchorage connection point on the device.
 - Prior to drilling or fastening, ensure no electric lines, gas lines, or other critical embedded systems will be contacted by the drill or the device.
 - Ensure that fall protection systems/subsystems assembled from components made by different manufacturers are compatible and meet the requirements of applicable standards, including the ANSI Z359 or other applicable fall protection codes, standards, or requirements. Always consult a Competent or Qualified Person before using these systems.

- **To reduce the risks associated with working at height which, if not avoided, could result in serious injury or death:**
 - Ensure your health and physical condition allow you to safely withstand all of the forces associated with working at height. Consult with your doctor if you have any questions regarding your ability to use this equipment.
 - Never exceed allowable capacity of your fall protection equipment.
 - Never exceed maximum free fall distance of your fall protection equipment.
 - Do not use any fall protection equipment that fails pre-use or other scheduled inspections, or if you have concerns about the use or suitability of the equipment for your application. Contact 3M Technical Services with any questions.
 - Some subsystem and component combinations may interfere with the operation of this equipment. Only use compatible connections. Consult 3M prior to using this equipment in combination with components or subsystems other than those described in the User Instructions.
 - Use extra precautions when working around moving machinery (e.g. top drive of oil rigs) electrical hazards, extreme temperatures, chemical hazards, explosive or toxic gases, sharp edges, or below overhead materials that could fall onto you or your fall protection equipment.
 - Use Arc Flash or Hot Works devices when working in high heat environments.
 - Avoid surfaces and objects that can damage the user or equipment.
 - Ensure there is adequate fall clearance when working at height.
 - Never modify or alter your fall protection equipment. Only 3M or parties authorized in writing by 3M may make repairs to the equipment.
 - Prior to use of fall protection equipment, ensure a rescue plan is in place which allows for prompt rescue if a fall incident occurs.
 - If a fall incident occurs, immediately seek medical attention for the worker who has fallen.
 - Do not use a body belt for fall arrest applications. Use only a Full Body Harness.
 - Minimize swing falls by working as directly below the anchorage point as possible.
 - If training with this device, a secondary fall protection system must be utilized in a manner that does not expose the trainee to an unintended fall hazard.
 - Always wear appropriate personal protective equipment when installing, using, or inspecting the device/system.

Prior to installation and use of this equipment, record the product identification information from the ID label in the Inspection and Maintenance Log (Table 2) at the back of this manual.

PRODUCT DESCRIPTION:

Figure 1 Illustrates the 3M™ DBI-SALA™ Fixed Beam Anchor. The Fixed Beam Anchor is a single point anchorage connector for a personal fall arrest system or personal fall restraint system designed to be attached to a beam. The Fixed Beam Anchor may be used as an end termination for 3M Fall Protection approved horizontal lifeline systems.

Figure 2 Illustrates components of the Fixed Beam Anchor. See Table 1 for Component Specifications. The Fixed Beam Anchor is comprised of a notched Support Tube (A) with a Fixed Hook End (D) and an Adjustable Hook End (E) that hook over the opposite edges of a beam flange. The Swiveling Connector Ring (B) serves as the tie-off point for a Lanyard or Self-Retracting Device (SRD), with a Pin (C) holding the Connector Ring in place. The Detent Pin (F) is used to lock the Adjustable Hook End. The Adjustment Handle (G) is used to tighten or loosen the Adjustable Hook End on the beam flange. A Bolt (H) and Nut (I) hold the Fixed Hook End together. The Key Ring (J) keeps the RFID Tag (K) and Labels (L) of the Fixed Beam Anchor.

Table 1 – Specifications

System Specifications:		
Capacity:	One person with a combined weight (clothing, tools, etc.) of no more than 310 lbs (140 kg) for ANSI, 420 lbs (191 kg) for OSHA.	
Standards:	See Figure 1 for the applicable standards of each Fixed Beam Anchor model.	
Anchorage/ Structure:	Structure must meet dimensional requirements from Figure 1. Anchorage strength must comply with Section 2.1 requirements.	
Service Temperature	-40°F (-40°C) Minimum Service Temperature	
Breaking Strength:	5,000 lbs (22.2 kN) Minimum Breaking Strength	
Dimensions:	See Figure 1 for the dimensions of each Fixed Beam Anchor model.	
Weight:	See Figure 1 for the weight of each Fixed Beam Anchor model.	
Component Specifications:		
Figure 2 Reference	Component	Materials
Ⓐ	Support Tube	Alloy steel
Ⓑ	Swiveling Connector Ring	Alloy steel
Ⓒ	Pin	Alloy steel
Ⓓ	Fixed Hook End	Aluminum
Ⓔ	Adjustable Hook End	Aluminum
Ⓕ	Detent Pin	Stainless steel
Ⓖ	Adjustment Handle	Aluminum
Ⓗ	Bolt	Zinc plated steel
Ⓘ	Nut	Zinc plated steel
Ⓙ	Key Ring	Zinc plated steel
Ⓚ	RFID Tag	Nylon
Ⓛ	Labels	Vinyl

1.0 PRODUCT APPLICATION

- 1.1 PURPOSE:** Anchorage Connectors are designed to provide anchorage connection points for Fall Arrest¹, Fall Restraint², Work Positioning³, or Rescue⁴ systems.

Fall Protection Only: This Anchorage Connector is for connection of Fall Protection Equipment. Do not connect Lifting Equipment to the Anchorage Connector.

- 1.2 STANDARDS:** Your Anchorage Connector conforms to the national or regional standard(s) identified on the front cover of these instructions. If this product is resold outside the original country of destination, the re-seller must provide these instructions in the language of the country in which the product will be used.
- 1.3 SUPERVISION:** Use of this equipment must be supervised by a Competent Person⁵.
- 1.4 TRAINING:** This equipment must be installed and used by persons trained in its correct application. This manual is to be used as part of an employee training program as required by ANSI and OSHA, and/or regional regulations. It is the responsibility of the users and installers of this equipment to ensure they are familiar with these instructions, trained in the correct care and use of this equipment, and are aware of the operating characteristics, application limitations, and consequences of improper use of this equipment.
- 1.5 RESCUE PLAN:** When using this equipment and connecting subsystem(s), the employer must have a rescue plan and the means at hand to implement and communicate that plan to users, authorized persons⁶, and rescuers⁷. A trained, on-site rescue team is recommended. Team members should be provided with the equipment and techniques to perform a successful rescue. Training should be provided on a periodic basis to ensure rescuer proficiency.
- 1.6 INSPECTION FREQUENCY:** The Anchorage Connector shall be inspected by the user before each use and, additionally, by a competent person other than the user at intervals of no longer than one year.⁸ Inspection procedures are described in the "Inspection and Maintenance Log". Results of each Competent Person inspection should be recorded on copies of the "Inspection and Maintenance Log".
- 1.7 AFTER A FALL:** If the Anchorage Connector is subjected to the forces of arresting a fall, it must be removed from service immediately, clearly marked "DO NOT USE", and then either destroyed or forwarded to 3M for replacement or repair.

2.0 SYSTEM REQUIREMENTS

- 2.1 ANCHORAGE:** Anchorage structure requirements vary with the system application and whether it is a certified anchorage⁹ or non-certified anchorage¹⁰. The structure to which a fall arrest, restraint, positioning, or rescue system is attached must sustain static loads applied in the directions permitted as shown in the following table. Anchorage Strength requirements, along with system applications, are specified below, unless noted or defined otherwise in Table 1:

Fall Protection System	Certified Anchorage ⁹	Non-Certified Anchorage ¹⁰	Defined by
Fall Arrest	2 times maximum arresting force	5,000 lbs (22.2 kN)	OSHA, ANSI
Restraint/Travel Restraint	2 times foreseeable force	1,000 lbs (4.4 kN) per ANSI 5,000 lbs (22.2 kN) per OSHA	OSHA, ANSI
Work Positioning	2 times foreseeable force	3,000 lbs (13.3 kN)	OSHA, ANSI
Rescue	5 times applied load	3,000 lbs (13.3 kN)	ANSI

When more than one system is attached to an anchorage, the strengths stated above must be multiplied by the number of systems attached to the anchorage. See ANSI Z359.2 for more information.

- 2.2 PERSONAL FALL ARREST SYSTEM:** Figure 1 illustrates the application of this Anchorage Connector. Personal Fall Arrest Systems (PFAS) used with the system must meet applicable Fall Protection standards, codes, and requirements. The PFAS must incorporate a Full Body Harness and limit Arresting Force to the following values:

	Maximum Arresting Force	Free Fall
PFAS with Shock Absorbing Lanyard	1800 lbs (8 kN)	Refer to the instruction(s) included with your Lanyard or SRD for Free Fall limitations.
PFAS with Self Retracting Device (SRD)	1800 lbs (8 kN)	

- 2.3 FALL PATH AND SRD LOCKING SPEED:** A clear path is required to assure positive locking of an SRD. Situations which do not allow for an unobstructed fall path should be avoided. Working in confined or cramped spaces may not allow the body to reach sufficient speed to cause the SRD to lock if a fall occurs. Working on slowly shifting material, such as sand or grain, may not allow enough speed buildup to cause the SRD to lock.
- 2.4 HAZARDS:** Use of this equipment in areas with environmental hazards may require additional precautions to prevent injury to the user or damage to the equipment. Hazards may include, but are not limited to: heat, chemicals, corrosive environments, high voltage power lines, explosive or toxic gases, moving machinery, sharp edges, or overhead materials that may fall and contact the user or Personal Fall Arrest System.
- 2.5 FALL CLEARANCE:** Figure 3 illustrates the components of a Fall Arrest. There must be sufficient Fall Clearance (FC) to arrest a fall before the user strikes the ground or other obstruction. Clearance is affected by a number of factors including: Anchorage Location, (A) Lanyard Length, (B) Lanyard Deceleration Distance or SRD Maximum Arrest Distance,

1 Fall Arrest System: A collection of Fall Protection Equipment configured to arrest a free fall. Protects the user in the event of a fall. Free fall is permitted up to the limits allowed by the connecting device (either an Energy Absorbing Lanyard or Self-Retracting Device (SRD)).

2 Restraint System: A collection of Fall Protection Equipment configured to prevent the person's center of gravity from reaching a fall hazard. Prevents the user from reaching a hazard. No vertical free fall is permitted.

(C) Harness Stretch and D-Ring/Connector Length and Settling. Refer to the instructions included with your Fall Arrest subsystem for specifics regarding Fall Clearance calculation.

- 2.6 SWING FALLS:** Swing Falls occur when the anchorage point is not directly above the point where a fall occurs (see Figure 4). The force of striking an object in a swing fall may cause serious injury or death. Minimize swing falls by working as directly below the anchorage point as possible. Do not permit a swing fall if injury could occur. Swing falls will significantly increase the clearance required when a Self-Retracting Device or other variable length connecting subsystem is used.
- 2.7 COMPONENT COMPATIBILITY:** 3M equipment is designed for use with 3M approved components and subsystems only. Substitutions or replacements made with non-approved components or subsystems may jeopardize compatibility of equipment and may affect the safety and reliability of the complete system.
- 2.8 CONNECTOR COMPATIBILITY:** Connectors are considered to be compatible with connecting elements when they have been designed to work together in such a way that their sizes and shapes do not cause their gate mechanisms to inadvertently open regardless of how they become oriented. Contact 3M if you have any questions about compatibility. Connectors (hooks, carabiners, and D-rings) must be capable of supporting at least 5,000 lbs. (22.2 kN). Connectors must be compatible with the anchorage or other system components. Do not use equipment that is not compatible. Non-compatible connectors may unintentionally disengage (see Figure 5). Connectors must be compatible in size, shape, and strength. If the connecting element to which a snap hook or carabiner attaches is undersized or irregular in shape, a situation could occur where the connecting element applies a force to the gate of the snap hook or carabiner (A). This force may cause the gate to open (B), allowing the snap hook or carabiner to disengage from the connecting point (C).

Self-locking snap hooks and carabiners are required by ANSI Z359 and OSHA.

- 2.9 MAKING CONNECTIONS:** Snap hooks and carabiners used with this equipment must be self-locking. Ensure all connections are compatible in size, shape and strength. Do not use equipment that is not compatible. Ensure all connectors are fully closed and locked.

3M connectors (snap hooks and carabiners) are designed to be used only as specified in each product's user's instructions. See Figure 6 for examples of inappropriate connections. Do not connect snap hooks and carabiners:

- A. To a D-ring to which another connector is attached.
- B. In a manner that would result in a load on the gate. Large throat snap hooks should not be connected to standard size D-rings or similar objects which will result in a load on the gate if the hook or D-ring twists or rotates, unless the snap hook complies is equipped with a 3,600 lb (16 kN) gate. Check the marking on your snap hook to verify that it is appropriate for your application.
- C. In a false engagement, where features that protrude from the snap hook or carabiner catch on the anchor, and without visual confirmation seems to be fully engaged to the anchor point.
- D. To each other.
- E. Directly to webbing or rope lanyard or tie-back (unless the manufacturer's instructions for both the lanyard and connector specifically allows such a connection).
- F. To any object which is shaped or dimensioned such that the snap hook or carabiner will not close and lock, or that roll-out could occur.
- G. In a manner that does not allow the connector to align properly while under load.

3.0 INSTALLATION

Installation of non-certified anchor points must be performed or supervised by a Competent Person¹. Installation of certified anchor points must be designed, certified, and supervised by a Qualified Person².

3.1 PLANNING: Plan your fall protection system prior to installation of the Fixed Beam Anchor. Account for all factors that may affect your safety before, during and after a fall. Install in a location that meets the free fall and clearance requirements of the attached fall protections system. Consider all requirements, limitations and specifications defined in Section 2 and Table 1. Do not install on tapered beams that change in size along the length of the beam. Only install on beam profiles. Do not install on other structure profiles such as angle iron or pipes.

3.2 INSTALLING THE FIXED BEAM ANCHOR: The Fixed Beam Anchor can be installed on beams meeting the anchorage requirements specified in Table 1 and Section 2.1. See Figure 1 for the allowable Beam Flange Width (A) and Thickness (B) for each Fixed Beam Anchor model. The Fixed Beam Anchor can be Top Mounted (A), Bottom Mounted (B), or Side Mounted (C or D) on the beam (see Figure 7). Figure 8 shows the allowed load directions of the Fixed Beam Anchor. Do not install the anchor in a manner where the anchor could be loaded in a direction outside these ranges and never make additions to the fall protection equipment or system. Do not install or relocate the Fixed Beam Anchor in a manner not meeting the full requirements of this instruction. To install the Fixed Beam Anchor, follow steps 1-4 and see Figure 9.

1. Remove the detent pin and fully open the adjustable beam hook by turning the adjustment handle counter-clockwise.
2. Position the Fixed Beam Anchor on the beam flange in the desired position (top, bottom, side). Place the fixed beam hook against one side of the beam flange. Slide the adjustable beam hook against the opposite side of the beam flange.

Fasteners or other obstructions may prevent the Fixed Beam Anchor from properly securing to the beam. Move the Fixed Beam Anchor to another location if obstructions interfere with installation.

3. Hold the adjustment handle parallel with the support tube. Turn the adjustment handle to align the hole in the adjustment block with the nearest hole in the support tube. Insert the detent pin through the adjustment block and the support tube, ensuring the pin is locked into place. To secure the Fixed Beam Anchor onto the flange, pivot the adjustment handle away from the support tube and turn the adjustment handle clockwise in half turns. Ensure the beam hooks are tight against both sides of the flange. Hand tighten only.
4. Ensure the adjustment pin still has sufficient travel after tightening the Fixed Beam Anchor. See figure 9. If the adjustment pin has bottomed out, reinstall the Fixed Beam Anchor using the next closest hole to the beam flange to allow travel for the adjustment pin. Following installation, the Fixed Beam Anchor must be solid and securely attached to the structure without any looseness.

4.0 USE

4.1 BEFORE EACH USE: Verify that your work area and Personal Fall Arrest System (PFAS) meet all criteria defined in Section 2 and a formal Rescue Plan is in place. Inspect the Fixed Beam Anchor per the 'User' inspection points defined on the "Inspection and Maintenance Log" (Table 2). If inspection reveals an unsafe or defective condition, do not use the system. Remove the system from service and destroy, or contact 3M regarding replacement or repair.

4.2 FALL ARREST CONNECTIONS: The Fixed Beam Anchor is used with a Full Body Harness and Energy Absorbing Lanyard or Self-Retracting Device (SRD). Figure 10 illustrates connection of the Energy Absorbing Lanyard (A) or SRD (B) between the Harness and Fixed Beam Anchor. Connect the Energy-Absorbing Lanyard or SRD between the D-Ring on the Fixed Beam Anchor and the back Dorsal D-Ring on the Harness as instructed in the instructions included with the Energy Absorbing Lanyard or SRD. Only one fall protection system or positioning system may be attached to an individual connection point.

4.3 HORIZONTAL SYSTEMS: Select Anchorage Connectors can be used as end anchor points for horizontal systems. Anchorages for horizontal systems must be designed and certified by a Qualified Person with experience and training in designing and using horizontal lifeline systems. Non-certified anchorages shall not be used for horizontal lifelines. Only use an anchorage connector that meets the load, moment, and directional requirements for that specified horizontal system. Non-Fixed, Sliding, or Counterweight Anchorage Connectors should not be used with a horizontal system. Refer to the instruction manual and installation manual supplied with your horizontal lifeline system for more information on anchorage and anchorage connector requirements.

5.0 INSPECTION

5.1 INSPECTION FREQUENCY: The Fixed Beam Anchor must be inspected at the intervals defined in Section 1. Inspection procedures are described in the "Inspection and Maintenance Log" (Table 2). Inspect all other components of the Fall Protection System per the frequencies and procedures defined in the manufacturer's instructions.

Extreme working conditions (harsh environments, prolonged use, etc.) may require increasing the frequency of inspections.

Fixed Beam Anchors are equipped with a Radio Frequency Identification (RFID) Tag. The RFID Tag can be used in conjunction with a Handheld Reading Device to simplify inspection and inventory control and provide records for your fall protection equipment.

1 Competent Person: One who is capable of identifying existing and predictable hazards in the surroundings or working conditions which are unsanitary, hazardous, or dangerous to employees, and who has authorization to take prompt corrective measures to eliminate them.

2 Qualified Person: An individual with a recognized degree or professional certificate, and extensive experience in Fall Protection. This individual must be capable of design, analysis, and specification in Fall Protection.

5.2 ANNUALLY: The Fixed Beam Anchor must be formally inspected by a competent person³ other than the user at least annually. Record the results on the inspection label, in an inspection log, or use the i-Safe inspection web portal to maintain inspection records.

5.3 DEFECTS: If inspection reveals an unsafe or defective condition, remove the Fixed Beam Anchor from service immediately and destroy it, or contact 3M regarding replacement or repair.

Authorized Repairs Only: Only 3M or parties authorized in writing may make repairs to this equipment.

5.4 PRODUCT LIFE: The functional life of the Fall Arrest System is determined by work conditions and maintenance. As long as the product passes inspection criteria, it may remain in service.

6.0 MAINTENANCE, SERVICING, STORAGE

6.1 CLEANING: Periodically clean the Fixed Beam Anchor's metal components with a soft brush, warm water, and a mild soap solution. Ensure parts are thoroughly rinsed with clean water.

6.2 SERVICE: Only 3M or parties authorized in writing by 3M may make repairs to this equipment. If the Fixed Beam Anchor has been subject to fall force, it must be removed from service immediately, clearly marked "DO NOT USE", and then destroyed. If inspection reveals unsafe or defective conditions, remove the system from service and contact 3M regarding replacement or repair.

6.3 STORAGE AND TRANSPORT: When not in use, store and transport the Fixed Beam Anchor and associated fall protection equipment in a cool, dry, clean environment out of direct sunlight. Avoid areas where chemical vapors may exist. Thoroughly inspect components after extended storage.

7.0 LABELS

Figure 11 illustrates labels on the Fixed Beam Anchor. Labels must be replaced if they are not fully legible.

Table 2 – Inspection and Maintenance Log

Inspection Date:		Inspected By:	
Components:	Inspection: (See Section 1 for <i>Inspection Frequency</i>)	User	Competent Person¹
Fixed Beam Anchor (Figure 2)	Inspect the Fixed Beam Anchor damage: Look for cracks, dents, or deformities.	<input type="checkbox"/>	<input type="checkbox"/>
	Inspect for bending or wear on the Support Bar (A), Swiveling Connector Ring (B), Connector Ring Bracket, Fixed Hook End (C), Detent Pin (D), Adjustable Hook End (E), and Adjustment Handle (F). The Adjustment Handle must rotate smoothly.	<input type="checkbox"/>	<input type="checkbox"/>
	Inspect for any missing or damaged parts (Bolts, Nuts, Rivets, Pins).	<input type="checkbox"/>	<input type="checkbox"/>
	Inspect the entire unit for corrosion.	<input type="checkbox"/>	<input type="checkbox"/>
	Inspect the Detent Pin (D). Ensure that the Detent Pin will fully engage the adjustment holes and that it locks in place. Ensure that both detent balls are present.	<input type="checkbox"/>	<input type="checkbox"/>
	If attaching to an already installed fixed beam anchor, verify the anchor was installed per the requirements of this instruction to a structure meeting the requirements in Table 1. If unsure, remove the fixed beam anchor and reinstall per the requirements from this instruction.	<input type="checkbox"/>	<input type="checkbox"/>
Labels (Figure 11)	Verify that all labels are present, securely attached and are legible (see 'Labels')	<input type="checkbox"/>	<input type="checkbox"/>
PFAS and Other Equipment	Additional Personal Fall Arrest System (PFAS) equipment (harness, SRL, etc) that are used with the Anchorage System should be installed and inspected per the manufacturer's instructions.	<input type="checkbox"/>	<input type="checkbox"/>
Structure	Verify the structure to which the anchor is attached meets the strength requirements from Table 1 in all possible directions of loading. The structure must be free of any damage.	<input type="checkbox"/>	<input type="checkbox"/>
Serial Number(s):		Date Purchased:	
Model Number:		Date of First Use:	
Corrective Action/Maintenance:		Approved By:	
		Date:	
Corrective Action/Maintenance:		Approved By:	
		Date:	
Corrective Action/Maintenance:		Approved By:	
		Date:	
Corrective Action/Maintenance:		Approved By:	
		Date:	
Corrective Action/Maintenance:		Approved By:	
		Date:	
Corrective Action/Maintenance:		Approved By:	
		Date:	
Corrective Action/Maintenance:		Approved By:	
		Date:	
Corrective Action/Maintenance:		Approved By:	
		Date:	
Corrective Action/Maintenance:		Approved By:	
		Date:	

1 Competent Person: One who is capable of identifying existing and predictable hazards in the surroundings or working conditions which are unsanitary, hazardous, or dangerous to employees, and who has authorization to take prompt corrective measures to eliminate them.

INFORMATION DE SÉCURITÉ

Veillez lire, comprendre et suivre toutes les informations de sécurité contenues dans ces instructions avant d'utiliser ce connecteur d'ancrage. LE NON-RESPECT DE CES INSTRUCTIONS PEUT ENTRAÎNER DES BLESSURES GRAVES, VOIRE LA MORT.

Ces instructions doivent être transmises à l'utilisateur de cet équipement. Veuillez conserver ces instructions pour une utilisation ultérieure.

Utilisation prévue :

Ce connecteur d'ancrage est prévu pour être utilisé comme partie intégrante d'un système de protection antichute personnel complet.

L'utilisation dans le cadre d'autres applications comme, sans en exclure d'autres, des activités récréatives ou liées au sport, ou d'autres activités non décrites dans les instructions destinées à l'utilisateur, n'est pas approuvée par 3M et peut entraîner des blessures graves voire la mort.

Ce dispositif doit être utilisé uniquement par des usagers formés sur les applications du lieu de travail.

AVERTISSEMENT

Ce connecteur d'ancrage fait partie intégrante d'un système de protection antichute personnel complet. Il est attendu que tous les usagers sont entièrement formés sur l'installation sécuritaire et le fonctionnement de leur système de protection antichute personnel. **Une mauvaise utilisation de ce dispositif peut entraîner des blessures graves, voire la mort.** Pour s'assurer d'un choix, d'un fonctionnement, d'une installation, de travaux d'entretien et de réparation appropriés, reportez-vous à ces instructions de l'utilisateur ainsi qu'à toutes les recommandations du fabricant, consultez votre superviseur ou communiquez avec les services techniques de 3M.

- **Pour réduire les risques associés au travail en hauteur avec un connecteur d'ancrage qui, s'ils ne sont pas évités, pourraient entraîner de graves blessures, voire la mort :**
 - Inspectez le dispositif avant chaque utilisation, au moins annuellement, et après chaque cas de chute. Réalisez l'inspection conformément aux instructions de l'utilisateur.
 - Si l'inspection révèle l'existence d'une défectuosité ou d'un problème affectant la sécurité, mettez l'équipement hors service et faites-le réparer ou remplacez-le conformément à ces instructions.
 - Tout dispositif ayant été soumis à un arrêt de chute ou à une force d'impact doit être immédiatement retiré du service et détruit.
 - Ce dispositif ne doit être installé que sur les structures ou dans les substrats spécifiés, comme il est précisé dans les instructions de l'utilisateur. Toute installation ou utilisation qui est hors de la portée de ces instructions doit être approuvée par le service de protection antichute de 3M.
 - La structure ou le substrat auquel le connecteur d'ancrage est fixé doit pouvoir résister aux charges statiques précisées pour le dispositif d'ancrage dans les sens permis indiqués dans les instructions de l'utilisateur.
 - Ne connectez les autres sous-systèmes de protection antichute qu'au point de connexion d'ancrage désigné sur le dispositif.
 - Avant de procéder au perçage ou à une fixation, assurez-vous que la perceuse ou le dispositif n'entrera pas en contact avec des lignes électriques, des conduites de gaz ou d'autres systèmes intégrés critiques.
 - Assurez-vous que les systèmes/sous-systèmes de protection antichute assemblés à partir de composants fabriqués par différents fabricants sont compatibles et répondent aux exigences des normes applicables, y compris la norme ANSI Z359 ou d'autres codes, normes ou exigences de protection antichute applicables. Consultez toujours une personne qualifiée ou compétente avant d'utiliser ces systèmes.
- **Pour réduire les risques associés au travail en hauteur qui, s'ils ne sont pas évités, pourraient entraîner des blessures graves, voire la mort :**
 - Assurez-vous que votre condition physique et votre état de santé vous permettent de supporter en toute sécurité toutes les forces associées au travail en hauteur. Consultez votre médecin en cas de questions sur votre capacité à utiliser cet équipement.
 - Ne dépassez jamais la capacité maximale permise de votre équipement de protection antichute.
 - Ne dépassez jamais la distance maximale de chute libre de votre équipement de protection antichute.
 - N'utilisez jamais un équipement de protection antichute qui échoue à une inspection préalable à son utilisation ou à toute autre inspection programmée ou encore si vous vous inquiétez de l'utilisation ou de la pertinence de l'équipement pour votre application. En cas de questions, n'hésitez pas à communiquer avec les services techniques de 3M.
 - Certaines combinaisons de sous-systèmes et de composants peuvent gêner le fonctionnement de cet équipement. N'utilisez que des connecteurs compatibles. Consultez 3M avant d'employer cet équipement conjointement avec des composants ou des sous-systèmes autres que ceux décrits dans les instructions à l'utilisateur.
 - Prenez des précautions supplémentaires lorsque vous travaillez à proximité d'une machinerie mobile (p. ex. l'entraînement supérieur d'une plateforme pétrolière), risques électriques, températures extrêmes, risques chimiques, gaz explosifs ou toxiques, bords tranchants ou matériaux en suspension pouvant endommager l'utilisateur ou l'équipement.
 - Lorsque vous travaillez dans un environnement où la chaleur est élevée, utilisez des appareils dont l'usage se fait en environnement chaud ou en présence d'arc électrique.
 - Évitez les surfaces et les objets qui pourraient endommager l'équipement de l'utilisateur.
 - Lorsque vous travaillez en hauteur, vérifiez d'abord que la distance d'arrêt est adéquate.
 - Ne modifiez jamais votre équipement de protection antichute. Seules 3M ou les parties autorisées par écrit par 3M sont en droit d'effectuer des réparations sur cet équipement.
 - Avant d'utiliser un équipement de protection antichute, assurez-vous qu'un plan de sauvetage est en place et permet un sauvetage rapide en cas de chute.
 - Si un tel incident devait se produire, obtenez des soins médicaux immédiats pour le travailleur tombé.
 - N'utilisez pas de ceinture de travail dans les applications de protection antichute. N'utilisez qu'un harnais de sécurité complet.
 - Vous pouvez réduire les chutes oscillantes en travaillant aussi près que possible de l'ancrage.
 - Si ce dispositif est utilisé en formation, un second système de protection antichute doit être utilisé aussi de façon à ne pas exposer le stagiaire à un danger de chute involontaire.
 - Portez toujours un équipement de protection individuelle approprié lors de l'installation, de l'utilisation ou de l'inspection du dispositif/système.

Avant d'installer et utiliser cet équipement, enregistrez l'information d'identification de produit de l'étiquette d'identification dans le Journal d'inspection et d'entretien (Tableau 2) à l'arrière de ce manuel.

DESCRIPTION DU PRODUIT :

La Figure 1 illustre l'ancrage pour poutre coulissante 3MMC DBI-SALAMD. L'ancrage pour poutre coulissante consiste en un connecteur d'ancrage à point unique pour dispositif antichute ou dispositif de retenue antichute personnel conçu pour être fixé à une poutre. L'ancrage pour poutre fixe peut être utilisé comme raccord d'extrémité pour les lignes de vie horizontales approuvées comme protection antichute de 3M.

La Figure 2 illustre les composants de l'ancrage pour poutre fixe. Consultez le Tableau 1 pour les spécifications des composants. L'ancrage pour poutre fixe est composé d'un tube de support entaillé (A) avec une extrémité à crochet fixe (D) et d'une extrémité à crochet réglable (E) qui s'accroche sur les rebords opposés d'une bride de poutre. L'anneau connecteur pivotant (B) sert de point de fixation pour une longe ou un dispositif auto-rétractable (DAR) avec une goupille (C) maintenant l'anneau connecteur en place. La goupille de détente (F) est utilisée pour verrouiller l'extrémité du crochet réglable. La poignée de réglage (G) est utilisée pour serrer ou desserrer l'extrémité du crochet réglable de la bride de poutre. Un boulon (H) et un écrou (I) maintiennent l'extrémité du crochet fixe. L'anneau brisé (J) conserve l'étiquette RFID (K) et les étiquettes (L) de l'ancrage de poutre fixe.

Tableau 1 – Spécifications

Spécifications du système :		
Capacité :	Le poids combiné d'une personne (avec vêtements, outils, etc.) ne doit pas dépasser 140 kg (310 lb) pour ANSI et 191 kg (420 lb) pour OSHA.	
Normes :	Consultez la Figure 1 pour les normes en vigueur de chaque modèle d'ancrage pour poutre fixe.	
Structure/ Ancrage :	La structure doit respecter les exigences dimensionnelles de la Figure 1. La résistance des ancrages doit se conformer aux exigences de la section 2.1.	
Température de service	-40 °C (-40 °F) Température de service minimale	
Résistance à la rupture :	22,2 kN (5 000 lb) Force de rupture minimale	
Dimensions :	Voir la Figure 1 pour les dimensions de chaque modèle d'ancrage pour poutre fixe.	
Poids :	Voir la Figure 1 pour le poids de chaque modèle d'ancrage pour poutre fixe.	
Spécifications des composants :		
Figure 2 Référence	Composant	Matériels
(A)	Tube de support	Alliage d'acier
(B)	Anneau connecteur pivotant	Alliage d'acier
(C)	Goupille	Alliage d'acier
(D)	Extrémité de crochet fixe	Aluminium
(E)	Extrémité de crochet réglable	Aluminium
(F)	Cheville d'arrêt	Acier inoxydable
(G)	Poignée de réglage	Aluminium
(H)	Boulon	Acier zingué
(I)	Écrou	Acier zingué
(J)	Anneau brisé	Acier zingué
(K)	Étiquette IRF	Nylon
(L)	Étiquettes	Vinyle

1.0 APPLICATION DU PRODUIT

1.1 OBJECTIF : Les connecteurs d'ancrage sont conçus pour fournir des points de connexion d'ancrage pour les dispositifs antichute¹, les dispositifs de retenue², les dispositifs pour travaux en élévation³ ou les dispositifs de sauvetage⁴.

Pour la prévention des chutes seulement : Ce connecteur d'ancrage est conçu pour la connexion d'équipement de protection contre les chutes. Ne pas connecter d'équipement de levage au moyen de ce connecteur d'ancrage.

1.2 NORMES : Votre connecteur d'ancrage est conforme à la ou aux normes nationales ou régionales identifiées sur la couverture avant de ces instructions. Si ce produit est revendu en dehors du pays d'origine de destination, le revendeur doit fournir ces instructions dans la langue du pays dans lequel le produit est utilisé.

1.3 SUPERVISION : L'utilisation de cet équipement doit être supervisée par une Personne qualifiée⁵.

1.4 FORMATION : Cet équipement doit être installé et utilisé par des personnes formées pour que son application soit appropriée. Ce manuel doit être utilisé dans le cadre d'un programme de formation pour les employés, comme exigé par l'ANSI et l'OSHA et/ou la réglementation régionale. L'utilisateur et l'installateur de cet équipement sont tenus de se familiariser avec ces instructions, de suivre une formation afin de maintenir et d'utiliser correctement cet équipement et de bien connaître les caractéristiques opérationnelles, les limites des applications ainsi que les conséquences d'une utilisation inappropriée de cet équipement.

1.5 PLAN DE SAUVETAGE : Pour l'utilisation de cet équipement et des sous-systèmes de connexion, l'employeur doit avoir un plan de sauvetage et les moyens à portée de main pour le mettre en œuvre et le communiquer aux utilisateurs, aux personnes autorisées⁶ et aux sauveteurs⁷. Il est conseillé d'avoir une équipe de sauvetage présente sur place. Les membres de l'équipe doivent avoir l'équipement et les connaissances techniques afin de pouvoir accomplir un sauvetage réussi. La formation doit être répétée régulièrement afin d'assurer l'efficacité des sauveteurs.

1.6 FRÉQUENCE D'INSPECTION : Le connecteur d'ancrage doit être inspecté par l'utilisateur avant chaque utilisation et, en outre, par une personne qualifiée autre que l'utilisateur à des intervalles n'excédant pas une fois par an.⁸ Les procédures d'inspection sont décrites dans le « *Journal d'inspection et d'entretien* ». Les résultats de chaque inspection effectuée par une personne qualifiée doivent être consignés sur des exemplaires du « *Journal d'inspection et d'entretien* ».

1.7 APRÈS UNE CHUTE : Si le connecteur d'ancrage est soumis aux forces d'arrêt d'une chute, il doit être retiré du service immédiatement, indiquer clairement « NE PAS UTILISER », puis être détruit ou retourné à 3M pour remplacement ou réparation.

2.0 EXIGENCES DU SYSTÈME

2.1 ANCRAGE : Les exigences de structure d'ancrage varient selon l'application du système et le fait qu'il s'agisse d'un ancrage certifié⁹ ou d'un ancrage non certifié¹⁰. La structure à laquelle le système d'arrêt de chute, de retenue, de positionnement ou de secours est attaché doit supporter des charges statiques appliquées dans les directions autorisées tel qu'illustré dans le tableau suivant. Les exigences en matière de résistance d'ancrage, de même que les applications du système, sont détaillées ci-dessous, à moins d'être notées ou définies d'une autre façon dans le Tableau 1 :

Système de protection antichute	Point d'ancrage homologué ⁹	Ancrage non-homologué ¹⁰	Défini par
Dispositif antichute	Deux fois la force d'arrêt maximale	22,2 kN (5 000 lb)	ANSI/OSHA
Dispositif de retenue/déplacement	2 fois la force d'arrêt prévisible	4,4 kN (1 000 lb) selon ANSI 22,2 kN (5 000 lb) selon OSHA	OSHA, ANSI
Positionnement de travail	2 fois la force d'arrêt maximale	13,3 kN (3 000 lb)	OSHA, ANSI
Sauvetage	5 fois la charge appliquée	13,3 kN (3 000 lb)	ANSI

Lorsque plusieurs équipements sont fixés à un ancrage, les forces indiquées ci-dessus doivent être multipliées par le nombre d'équipements de sauvetage fixés à l'ancrage. Consultez la section ANSI Z359.2 pour de plus amples informations.

- 2.2 ÉQUIPEMENT DE PROTECTION INDIVIDUELLE (EPI) ANTICHUTE :** La figure 1 illustre l'utilisation de ce connecteur d'ancrage. L'équipement de protection individuelle (EPI) antichute utilisé avec ce système doit être conforme aux normes, aux codes et aux exigences applicables en matière de protection contre les chutes. Le dispositif antichute personnel (PFAS) devra comporter un harnais de sécurité complet et limiter la force d'arrêt conformément aux valeurs suivantes :

	Force d'arrêt maximale	Chute libre
EPI antichute avec corde amortissante	8 kN (1 800 livres)	<i>Consultez les instructions incluses avec votre longe ou votre dispositif autorétractable pour plus de détails sur les limites associées aux chutes libres.</i>
PFAS avec dispositif autorétractable (SRD)	8 kN (1 800 livres)	

- 2.3 TRAJECTOIRE DE CHUTE ET VITESSE DE BLOCAGE DU DAR :** Une trajectoire de chute non obstruée est nécessaire pour que le DAR se bloque normalement. Les situations où la trajectoire de chute n'est pas dégagée doivent être évitées. Lorsqu'une personne travaille dans un espace réduit ou étroit, il est possible qu'en cas de chute, le corps ne puisse pas atteindre une vitesse suffisante pour que le dispositif autorétractable se bloque. De même, il est possible qu'une personne travaillant sur un matériau instable, comme du sable ou du grain, ne puisse pas chuter à une vitesse suffisante pour bloquer le DAR.
- 2.4 DANGERS :** L'utilisation de cet équipement dans des zones de dangers environnementaux peut exiger de prendre des précautions additionnelles afin d'éviter que l'utilisateur ne se blesse ou que l'équipement ne subisse des dommages. Ces dangers peuvent inclure, entre autres, la chaleur, les produits chimiques caustiques, les environnements corrosifs, les lignes électriques à haute tension, les gaz toxiques ou explosifs, les machines en mouvement, les rebords tranchants ou les matériaux suspendus pouvant tomber et entrer en contact avec l'utilisateur ou l'équipement de protection individuelle (EPI) antichute.
- 2.5 DISTANCE D'ARRÊT :** La figure 3 illustre les composants du dispositif antichute. La distance d'arrêt (DA) sous l'utilisateur doit être suffisante pour arrêter la chute avant qu'il n'entre en contact avec le sol ou tout autre obstacle. Le dégagement est affecté par un certain nombre de facteurs, notamment : Emplacement de l'ancrage, (A) Longueur de la longe, (B) Distance de décélération de la longe ou distance d'arrêt maximale du SRD (C) Étirement du harnais et affaissement et longueur du connecteur/dé d'accrochage. Reportez-vous aux instructions fournies avec votre dispositif antichute pour de plus amples détails sur le calcul de la distance d'arrêt.
- 2.6 CHUTES OSCILLANTES :** Les chutes oscillantes se produisent lorsque le point d'ancrage ne se trouve pas directement au-dessus du point où une chute se produit (voir la figure 4). En cas de chute oscillante, la force du choc contre un objet risque d'entraîner des blessures graves, voire mortelles. Vous pouvez réduire les chutes oscillantes en travaillant aussi près que possible de l'ancrage. Ne vous exposez pas à une situation de chute oscillante s'il y a un risque de blessure. Les chutes oscillantes requièrent une plus grande distance d'arrêt lors de l'utilisation d'une ligne de vie auto-rétractable ou de tout autre sous-système de connexion à longueurs variables.
- 2.7 COMPATIBILITÉ DES COMPOSANTS :** L'équipement 3M est destiné à être utilisé uniquement avec des composants et des sous-systèmes approuvés par 3M. Les substitutions ou les remplacements effectués avec des composants ou des sous-systèmes non approuvés peuvent affecter la compatibilité de l'équipement ainsi que la sécurité et la fiabilité du système dans son ensemble.
- 2.8 COMPATIBILITÉ DES CONNECTEURS :** Les connecteurs sont considérés comme compatibles avec d'autres éléments de connexion lorsqu'ils ont été conçus pour être utilisés ensemble et de manière à ce que leur taille et leur forme ne provoquent pas l'ouverture accidentelle de mécanismes de verrouillage, quelle que soit leur orientation. Communiquer avec 3M pour toute question sur la compatibilité.

Les connecteurs (crochets, mousquetons et anneaux en D) doivent pouvoir soutenir une charge minimale de 22 kN (5 000 lb). Les connecteurs doivent être compatibles avec l'ancrage ou tout autre composant du système. N'utiliser aucun équipement non compatible. Les connecteurs non compatibles peuvent se décrocher accidentellement (voir la Figure 5). Les connecteurs doivent être compatibles en ce qui concerne leur taille, leur forme et leur résistance. Si le connecteur sur lequel se fixe le crochet mousqueton ou les fixations du mousqueton est plus petit ou de forme irrégulière, celui-ci risque d'exercer une force sur le doigt du crochet mousqueton ou du mousqueton (A). Cette force peut entraîner l'ouverture du doigt (B), permettant ainsi au crochet mousqueton ou au mousqueton de se désengager du point de connexion (C).

Des crochets standard et des mousquetons autoverrouillants sont requis par les normes ANSI Z359 et OSHA.

- 2.9 ÉTABLISSEMENT DE CONNEXIONS :** Les crochets mousquetons et mousquetons utilisés avec cet équipement doivent être autobloquants. Assurez-vous que toutes les connexions sont compatibles en ce qui concerne leur taille, leur forme et leur résistance. N'utiliser aucun équipement non compatible. Assurez-vous que tous les connecteurs sont bien fermés et verrouillés.

Les connecteurs 3M (crochets mousquetons et mousquetons) sont conçus pour être utilisés uniquement selon les instructions propres à chacun des produits. Consulter la Figure 6 pour obtenir des exemples de connexions inappropriées. Ne pas connecter de crochet mousqueton et de mousqueton :

- à un dé d'accrochage auquel un autre connecteur est déjà fixé;
- de manière à occasionner une charge sur le doigt. Les crochets standard à ouverture large ne doivent pas être connectés à des dés d'accrochage de taille standard ou des objets semblables qui pourraient entraîner une charge sur la clavette si le crochet ou le dé d'accrochage se tordait ou pivotait, à moins que le crochet standard soit conforme et muni d'une clavette de 3 600 lb (16 kN). Vérifiez les inscriptions sur votre crochet standard afin de vous assurer qu'il convient à votre application.
- En cas de fixation défectueuse, où des éléments qui dépassent du crochet standard ou du mousqueton se prennent dans le point d'ancrage et semblent être totalement pris dans le point d'ancrage sans pouvoir le vérifier visuellement.
- L'un à l'autre.
- Directement à la sangle ou à la longe, ou à l'ancrage sous tension (à moins que les instructions du fabricant pour la longe et le connecteur n'autorisent une connexion de ce type).
- À un objet dont la forme ou la dimension bloque la fermeture et le verrouillage du crochet standard ou du mousqueton, ou pourrait provoquer leur décrochage.
- S'il ne laisse pas le connecteur s'aligner correctement alors qu'il est sous tension.

3.0 INSTALLATION

L'installation de points d'ancrage non certifiés doit être effectuée ou supervisée par une personne compétente¹.
L'installation de points d'ancrage certifiés doit être conçue, certifiée et supervisée par une personne qualifiée².

3.1 PLANIFICATION : Planifiez votre système de protection antichute avant l'installation de l'ancrage pour poutre fixe. Prenez en compte tous les facteurs qui pourraient affecter votre sécurité avant, pendant et après une chute. Installez dans un endroit qui correspond aux exigences de dégagement et de chute libre du système de protection antichute attaché. Tenez compte de toutes les exigences, restrictions et spécifications indiquées dans la Section 2 et le Tableau 1. N'installez pas sur les poutres effilées dont les dimensions changent d'un bout à l'autre de la poutre. N'installez que sur les profils de poutre. N'installez pas sur d'autres profils de structure comme des cornières ou tuyaux.

3.2 INSTALLATION DE L'ANCRAGE POUR POUTRE FIXE : Il est possible d'installer l'ancrage pour poutre fixe sur des poutres répondant aux exigences d'ancrage indiquées dans le tableau 1 et la Section 2.1. Consultez la Figure 1 pour connaître la largeur (A) et l'épaisseur (B) de bride de poutre permises pour chaque modèle d'ancrage pour poutre fixe. L'ancrage pour poutre fixe peut être monté sur la face supérieure (A), la face inférieure (B) ou la face latérale (C ou D) de la poutre (voir la Figure 7). La Figure 8 illustre les directions de charge permises de l'ancrage pour poutre fixe. N'installez pas l'ancrage de façon à ce qu'il ne puisse pas être chargé dans une direction hors de ces plages et n'ajoutez jamais rien à l'équipement ou au système de protection antichute. N'installez pas et ne relocalisez pas l'ancrage pour poutre fixe d'une façon qui ne correspondrait pas aux exigences complètes de ces instructions. Pour installer l'ancrage pour poutre fixe, conformez-vous aux étapes 1-4 et consultez la Figure 9.

1. Retirez la cheville d'arrêt et ouvrez complètement le crochet réglable de la poutre en tournant la poignée de réglage dans le sens antihoraire.
2. Positionnez l'ancrage pour poutre fixe sur la bride de poutre dans la position désirée (haut, bas, côté). Placez le crochet pour poutre fixe contre l'une des extrémités de la bride de poutre. Glissez le crochet réglable pour poutre contre le côté opposé de la bride de poutre.

Les fixations ou autres obstructions peuvent empêcher l'ancrage pour poutre fixe de s'accrocher correctement sur la poutre. Si des obstructions nuisent à l'installation, déplacez l'ancrage pour poutre fixe à un autre endroit.

3. Maintenez la poignée de réglage parallèle avec le tube du support. Tournez la poignée de réglage de façon à aligner l'orifice de son bloc d'ajustement avec l'orifice le plus proche du tube de support. Insérez la goupille de sécurité dans le bloc d'ajustement et le tube de support en vérifiant que la goupille se verrouille bien en place. Pour fixer l'ancrage pour poutre fixe sur la bride, pivotez la poignée de réglage en l'écartant du tube de support, puis tournez la poignée de réglage dans le sens horaire par demi-tours. Vérifiez que les crochets de poutre sont bien serrés contre les deux côtés de la bride. Serrez à la main seulement.
4. Vérifiez que la goupille de réglage dispose encore de suffisamment de jeu une fois l'ancrage pour poutre fixe bien serré. Consultez la Figure 9. Si la goupille de réglage est tombée au fond, réinstallez l'ancrage pour poutre fixe en utilisant le prochain orifice le plus proche de la bride de poutre pour permettre le mouvement de la goupille de réglage. Après l'installation, l'ancrage pour poutre fixe doit être solide et solidement fixé à la structure sans aucun relâchement.

4.0 UTILISATION

4.1 AVANT CHAQUE UTILISATION : Vérifiez que votre domaine de travail et l'équipement de protection individuelle (EPI) antichute répondent à tous les critères définis à la Section 2 et qu'un plan de sauvetage est en place. Inspectez l'ancrage pour poutre fixe en suivant les points d'inspection « Utilisateur » définis dans le « Journal d'inspection et d'entretien » (Tableau 2). Si une inspection révèle un état non sécuritaire ou défectueux, n'utilisez pas le système. Mettez le système hors service et détruisez-le, ou communiquez avec 3M pour son remplacement ou sa réparation.

4.2 POINTS DE CONNEXION ANTICHUTE : L'ancrage pour poutre fixe s'utilise avec un harnais complet et une longe amortissante ou un dispositif autorétractable (DAR). La Figure 10 illustre la connexion de la longe amortissante (A) ou du DAR (B) entre le harnais et l'ancrage pour poutre fixe. Connectez la longe ou le DAR entre l'anneau en D de l'ancrage pour poutre fixe et l'anneau en D dorsal à l'arrière du harnais, comme indiqué dans les instructions comprises avec la longe amortissante ou le DAR. Un seul système antichute ou système de positionnement peut être fixé à un point de connexion individuel.

4.3 SYSTÈMES HORIZONTAUX: Sélectionnez les connecteurs d'ancrage qui peuvent être utilisés comme points d'ancrage pour les systèmes horizontaux. Les ancrages des systèmes horizontaux doivent être conçus et certifiés par une personne qualifiée disposant d'une formation et d'une expérience en conception et utilisant des lignes de vie horizontales. Les ancrages non homologués ne devront pas être utilisés pour les lignes de vie horizontales. N'utilisez qu'un connecteur d'ancrage qui correspond à la charge, au moment et aux exigences directionnelles du système horizontal spécifié. Les connecteurs d'ancrage non fixés, coulissants ou à contrepoids ne doivent pas être utilisés avec un système horizontal. Consultez le Manuel d'utilisation et d'installation fourni avec votre ligne de vie horizontale pour de plus amples détails sur les exigences en matière d'ancrages et de connecteurs d'ancrage.

5.0 INSPECTION

5.1 FRÉQUENCE D'INSPECTION : L'ancrage pour poutre fixe doit être inspecté en fonction des intervalles définis dans la section 1. Les procédures d'inspection sont décrites dans le « Journal d'inspection et d'entretien » (Tableau 2). Inspectez tous les autres composants du système de protection antichute selon les fréquences et les procédures définies dans les instructions du fabricant.

- 1 **Personne compétente :** Personne capable d'identifier dans une zone de travail et ses environs les dangers existants et prévisibles pouvant être associés à des conditions insalubres ou dangereuses pour les employés et qui est autorisée à adopter des mesures correctives immédiates pour les éliminer.
- 2 **Personne qualifiée :** Une personne possédant un diplôme ou un certificat professionnel et une grande expérience en protection contre les chutes. Cette personne doit être en mesure de concevoir, d'analyser et de spécifier les systèmes de protection contre les chutes.

Des conditions de travail extrêmes (environnement hostile, utilisation prolongée, etc.) peuvent nécessiter des inspections plus fréquentes.

Certains ancrages pour poutre fixe sont dotés d'une étiquette d'identification par radiofréquence (IRF). L'étiquette IRF peut être utilisée conjointement avec l'appareil de lecture portable pour simplifier l'inspection et le contrôle de l'inventaire, et fournir le dossier de votre équipement de protection antichute.

5.2 ANNUELLEMENT : L'ancrage pour poutre fixe doit être formellement inspecté par une personne qualifiée ³autre que l'utilisateur une fois par an minimum. Enregistrez les résultats d'inspection dans le Registre d'inspection et d'entretien ou utilisez le portail d'inspection en ligne i-Safe pour sauvegarder vos registres d'inspection.

5.3 DÉFAUTS : Si l'inspection révèle une condition dangereuse ou une défectuosité, retirez immédiatement l'ancrage pour poutre coulissante du service et détruisez-le ou contactez 3M pour son remplacement ou sa réparation.

Réparations autorisées seulement : *Seules 3M ou les parties autorisées par écrit sont en droit d'effectuer des réparations sur cet équipement.*

5.4 DURÉE DE VIE UTILE DU PRODUIT : La durée de vie du système antichute est déterminée par les conditions de travail et l'entretien. Tant que le système satisfait aux critères d'inspection, il peut être utilisé.

6.0 ENTRETIEN, SERVICE ET ENTREPOSAGE

6.1 NETTOYAGE : Nettoyez régulièrement les composants métalliques de l'ancrage pour poutre coulissante avec une brosse douce, de l'eau chaude et une solution savonneuse douce. Assurez-vous de rincer les pièces minutieusement à l'eau propre.

6.2 SERVICE : Seules 3M ou les parties autorisées par écrit par 3M sont en droit d'effectuer des réparations sur cet équipement. Si l'ancrage pour poutre coulissante a été soumis aux forces d'une chute, il doit être retiré du service immédiatement, être marqué clairement du terme « NE PAS UTILISER », puis être détruit. Si l'inspection révèle une condition dangereuse ou une défectuosité, retirez le système du service et contactez 3M pour planifier son remplacement ou sa réparation.

6.3 ENTREPOSAGE ET TRANSPORT : Lorsqu'il n'est pas utilisé, rangez l'ancrage pour poutre coulissante avec ses équipements antichutes associés dans un endroit frais, sec et propre, à l'abri de la lumière directe du soleil. Évitez les zones dans lesquelles pourraient se retrouver des vapeurs chimiques. Procédez à un examen minutieux après un entreposage prolongé.

7.0 ÉTIQUETTES

La Figure 11 illustre les étiquettes apparaissant sur l'ancrage pour poutre fixe. Si elles ne sont pas parfaitement lisibles, les étiquettes doivent être remplacées.

Tableau 2 – Journal d’inspection et d’entretien

Date d’inspection :		Inspecté par :	
Composants :	Inspection : (Voir la section 1 sur la <i>Fréquence d’inspection</i>)	Utilisateur	Personne qualifiée¹
Ancrage pour poutre fixe (Figure 2)	Examiner l’ancrage pour poutre fixe pour déceler tout dommage : Porter attention à tout signe de fissure, d’enfoncement ou de déformation.	<input type="checkbox"/>	<input type="checkbox"/>
	Inspecter pour déceler toute trace de fléchissement ou d’usure sur la barre de support (A), l’anneau connecteur pivotant (B), le dispositif de retenue de l’anneau connecteur, le crochet d’extrémité fixe (C), la goupille de sécurité (D), les crochets d’extrémité fixes (C), la goupille de détente (D), l’extrémité du crochet réglable (E) et la poignée de réglage (F). La poignée de réglage doit pivoter uniformément.	<input type="checkbox"/>	<input type="checkbox"/>
	Inspectez pour déceler toute pièce manquante ou endommagée (boulons, écrous, rivets, goupilles).	<input type="checkbox"/>	<input type="checkbox"/>
	Inspectez l’équipement entier afin de détecter toute trace de corrosion.	<input type="checkbox"/>	<input type="checkbox"/>
	Inspectez la goupille de détente (D). Vérifiez que la goupille de détente s’engage complètement dans les orifices d’ajustement et qu’elle se verrouille. Vérifiez que les deux billes d’arrêt sont en place.	<input type="checkbox"/>	<input type="checkbox"/>
	Si la fixation s’effectue sur un ancrage de poutre fixe déjà installé, vérifiez que ce dernier a été installé conformément aux instructions à une structure qui respecte les exigences détaillées dans le tableau 1. En cas de doute, retirez l’ancrage de poutre fixe et réinstallez-le conformément aux exigences de ces instructions.	<input type="checkbox"/>	<input type="checkbox"/>
Étiquettes (Figure 11)	Vérifiez que toutes les étiquettes sont présentes, fermement apposées et lisibles (voir « <i>Étiquettes</i> »)	<input type="checkbox"/>	<input type="checkbox"/>
Équipement de protection individuelle (EPI) antichute et autres équipements	Tout dispositif antichute personnel (PFAS) (harnais, ligne de vie autorétractable, etc.) utilisé avec le système d’ancrage doit être installé et inspecté conformément aux instructions du fabricant.	<input type="checkbox"/>	<input type="checkbox"/>
Structure	Vérifiez que la structure à laquelle l’ancrage est fixé correspond aux normes de résistance du Tableau 1 dans tous les sens de chargement possibles. La structure doit être exempte de dommage.	<input type="checkbox"/>	<input type="checkbox"/>
Numéro(s) de série :		Date d’achat :	
Numéro de modèle :		Date de première utilisation :	
Mesures correctives/entretien :		Approuvé par :	
		Date :	
Mesures correctives/entretien :		Approuvé par :	
		Date :	
Mesures correctives/entretien :		Approuvé par :	
		Date :	
Mesures correctives/entretien :		Approuvé par :	
		Date :	
Mesures correctives/entretien :		Approuvé par :	
		Date :	
Mesures correctives/entretien :		Approuvé par :	
		Date :	
Mesures correctives/entretien :		Approuvé par :	
		Date :	
Mesures correctives/entretien :		Approuvé par :	
		Date :	
Mesures correctives/entretien :		Approuvé par :	
		Date :	

1 **Personne compétente :** Personne capable d’identifier dans une zone de travail et ses environs les dangers existants et prévisibles pouvant être associés à des conditions insalubres ou dangereuses pour les employés et qui est autorisée à adopter des mesures correctives immédiates pour les éliminer.

**GLOBAL PRODUCT WARRANTY, LIMITED REMEDY
AND LIMITATION OF LIABILITY**

WARRANTY: THE FOLLOWING IS MADE IN LIEU OF ALL WARRANTIES OR CONDITIONS, EXPRESS OR IMPLIED, INCLUDING THE IMPLIED WARRANTIES OR CONDITIONS OF MERCHANTABILITY OR FITNESS FOR A PARTICULAR PURPOSE.

Unless otherwise provided by local laws, 3M fall protection products are warranted against factory defects in workmanship and materials for a period of one year from the date of installation or first use by the original owner.

LIMITED REMEDY: Upon written notice to 3M, 3M will repair or replace any product determined by 3M to have a factory defect in workmanship or materials. 3M reserves the right to require product be returned to its facility for evaluation of warranty claims. This warranty does not cover product damage due to wear, abuse, misuse, damage in transit, failure to maintain the product or other damage beyond 3M's control. 3M will be the sole judge of product condition and warranty options.

This warranty applies only to the original purchaser and is the only warranty applicable to 3M's fall protection products. Please contact 3M's customer service department in your region for assistance.

LIMITATION OF LIABILITY: TO THE EXTENT PERMITTED BY LOCAL LAWS, 3M IS NOT LIABLE FOR ANY INDIRECT, INCIDENTAL, SPECIAL OR CONSEQUENTIAL DAMAGES INCLUDING, BUT NOT LIMITED TO LOSS OF PROFITS, IN ANY WAY RELATED TO THE PRODUCTS REGARDLESS OF THE LEGAL THEORY ASSERTED.

**GARANTIE INTERNATIONALE DU PRODUIT, RECOURS LIMITÉ
ET LIMITATION DE RESPONSABILITÉ**

GARANTIE : CE QUI SUIT REMPLACE TOUTES LES GARANTIES OU CONDITIONS, EXPRESSES OU IMPLICITES, Y COMPRIS LES GARANTIES OU LES CONDITIONS IMPLICITES RELATIVES À LA QUALITÉ MARCHANDE ET À L'ADAPTATION À UN USAGE PARTICULIER.

Sauf disposition contraire de la loi, les produits de protection antichute 3M sont garantis contre tout défaut de fabrication en usine et de matériaux pour une période d'un (1) an à compter de la date d'installation ou de la première utilisation par le propriétaire initial.

RECOURS LIMITÉ : Moyennant un avis écrit à 3M, 3M réparera ou remplacera tout produit présentant un défaut de fabrication en usine ou de matériaux, tel que déterminé par 3M. 3M se réserve le droit d'exiger le retour du produit dans ses installations afin d'évaluer la réclamation de garantie. Cette garantie ne couvre pas les dommages au produit résultant de l'usure, d'un abus ou d'une mauvaise utilisation, les dommages subis pendant l'expédition, le manque d'entretien du produit ou d'autres dommages en dehors du contrôle de 3M. 3M jugera seul de l'état du produit et des options de garantie.

Cette garantie s'applique uniquement à l'acheteur initial et est la seule garantie applicable aux produits de protection antichute de 3M. Veuillez communiquer avec le service à la clientèle de 3M de votre région pour obtenir de l'aide.

LIMITATION DE RESPONSABILITÉ : DANS LES LIMITES PRÉVUES PAR LES LOIS LOCALES, 3M NE SERA TENU POUR RESPONSABLE DE TOUT DOMMAGE INDIRECT, ACCESSOIRE, SPÉCIFIQUE OU CONSÉCUTIF INCLUANT, SANS S'Y LIMITER, LA PERTE DE PROFIT, LIÉS DE QUELQUE MANIÈRE AUX PRODUITS, QUELLE QUE SOIT LA THÉORIE LÉGALE INVOQUÉE.

3M



Fall Protection

USA

3833 SALA Way
Red Wing, MN 55066-5005
Toll Free: 800.328.6146
Phone: 651.388.8282
Fax: 651.388.5065
3Mfallprotection@mmm.com

Brazil

Rua Anne Frank, 2621
Boqueirão Curitiba PR
81650-020
Brazil
Phone: 0800-942-2300
falecoma3m@mmm.com

Mexico

Calle Norte 35, 895-E
Col. Industrial Vallejo
C.P. 02300 Azcapotzalco
Mexico D.F.
Phone: (55) 57194820
3msaludocupacional@mmm.com

Colombia

Compañía Latinoamericana de Seguridad S.A.S.
Carrera 106 #15-25 Interior 105 Manzana 15
Zona Franca - Bogotá, Colombia
Phone: 57 1 6014777
fallprotection-co@mmm.com

Canada

260 Export Boulevard
Mississauga, ON L5S 1Y9
Phone: 905.795.9333
Toll-Free: 800.387.7484
Fax: 888.387.7484
3Mfallprotection-ca@mmm.com

EMEA (Europe, Middle East, Africa)

EMEA Headquarters:
Le Broc Center
Z.I. 1re Avenue - BP15
06511 Carros Le Broc Cedex
France
Phone: + 33 04 97 10 00 10
Fax: + 33 04 93 08 79 70
informationfallprotection@mmm.com

Australia & New Zealand

137 McCredie Road
Guildford
Sydney NSW 2161
Australia
Phone: +(61) 2 8753 7600
Toll-Free : 1800 245 002 (AUS)
Toll-Free : 0800 212 505 (NZ)
Fax: +(61) 2 8753 7603
anzfallprotection@mmm.com

Asia

Singapore:
1 Yishun Avenue 7
Singapore 768923
Phone: +65-6450 8888
Fax: +65-6552 2113
TotalFallProtection@mmm.com

China:

38/F, Maxdo Center, 8 Xing Yi Rd
Shanghai 200336, P.R. China
Phone: +86 21 62753535
Fax: +86 21 52906521
3MFallProtection-CN@mmm.com

Korea:

3M Korea Ltd
20F, 82, Uisadang-daero,
Yeongdeungpo-gu, Seoul
Phone: +82-80-033-4114
Fax: +82-2-3771-4271
TotalFallProtection@mmm.com

Japan:

3M Japan Ltd
6-7-29, Kitashinagawa, Shinagawa-ku, Tokyo
Phone: +81-570-011-321
Fax: +81-3-6409-5818
psd.jp@mmm.com

WEBSITE:
3M.com/FallProtection



EU DECLARATION OF CONFORMITY:
3M.com/FallProtection/DOC