



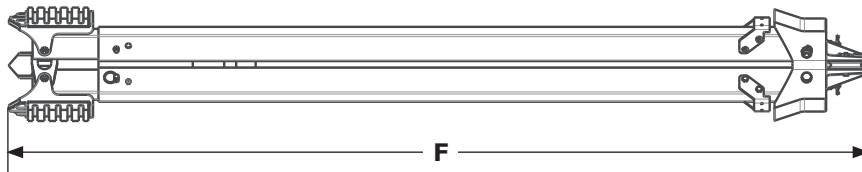
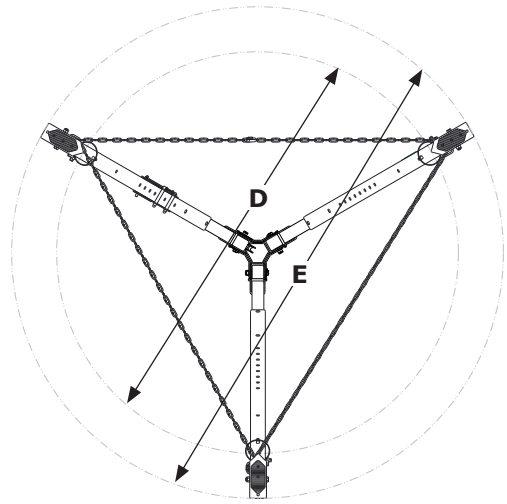
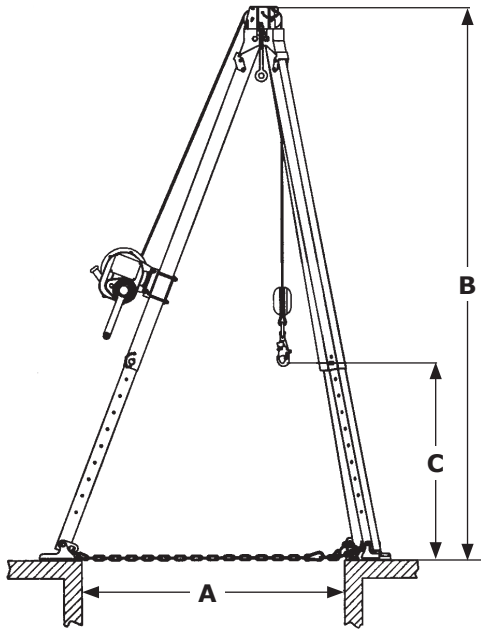
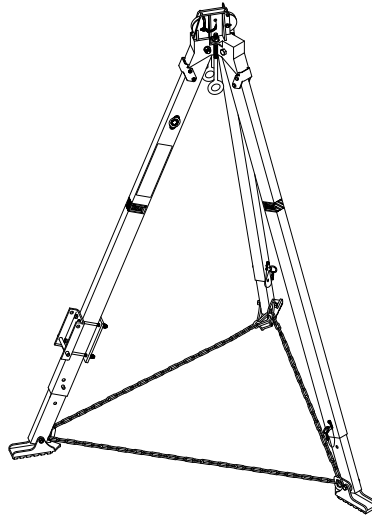
Fall Protection

ANSI Z117.1	ANSI Z359.4
OSHA 1926.502	OSHA 1926.140
ANSI Z359.1	

# TRIPOD Anchorage Connector

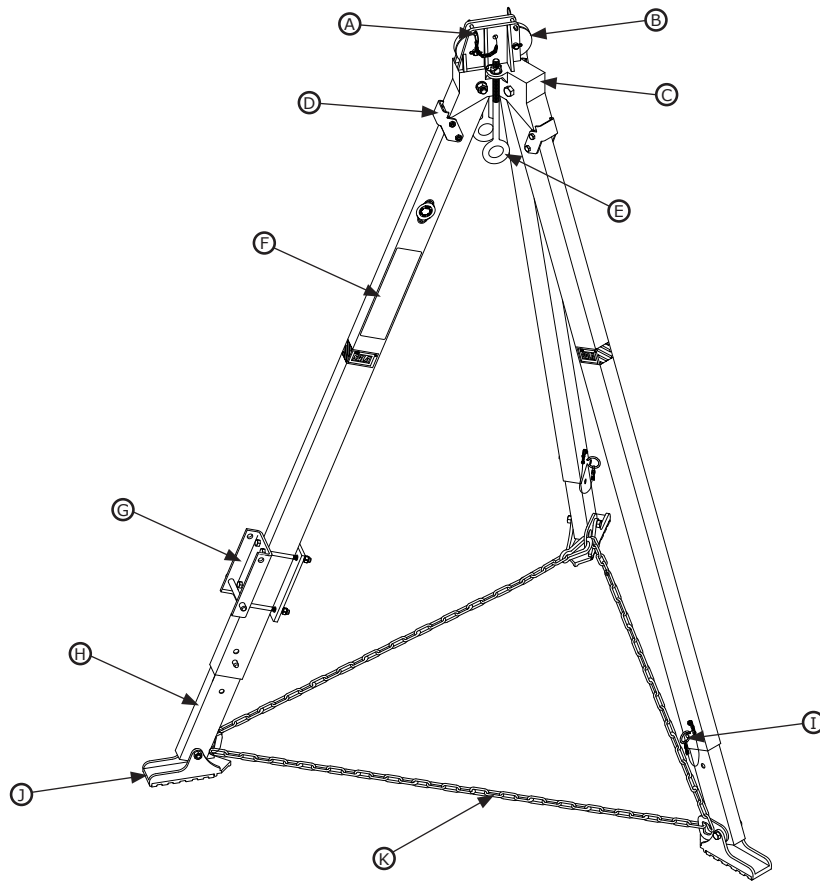
## USER INSTRUCTIONS 5902140 Rev. K

1



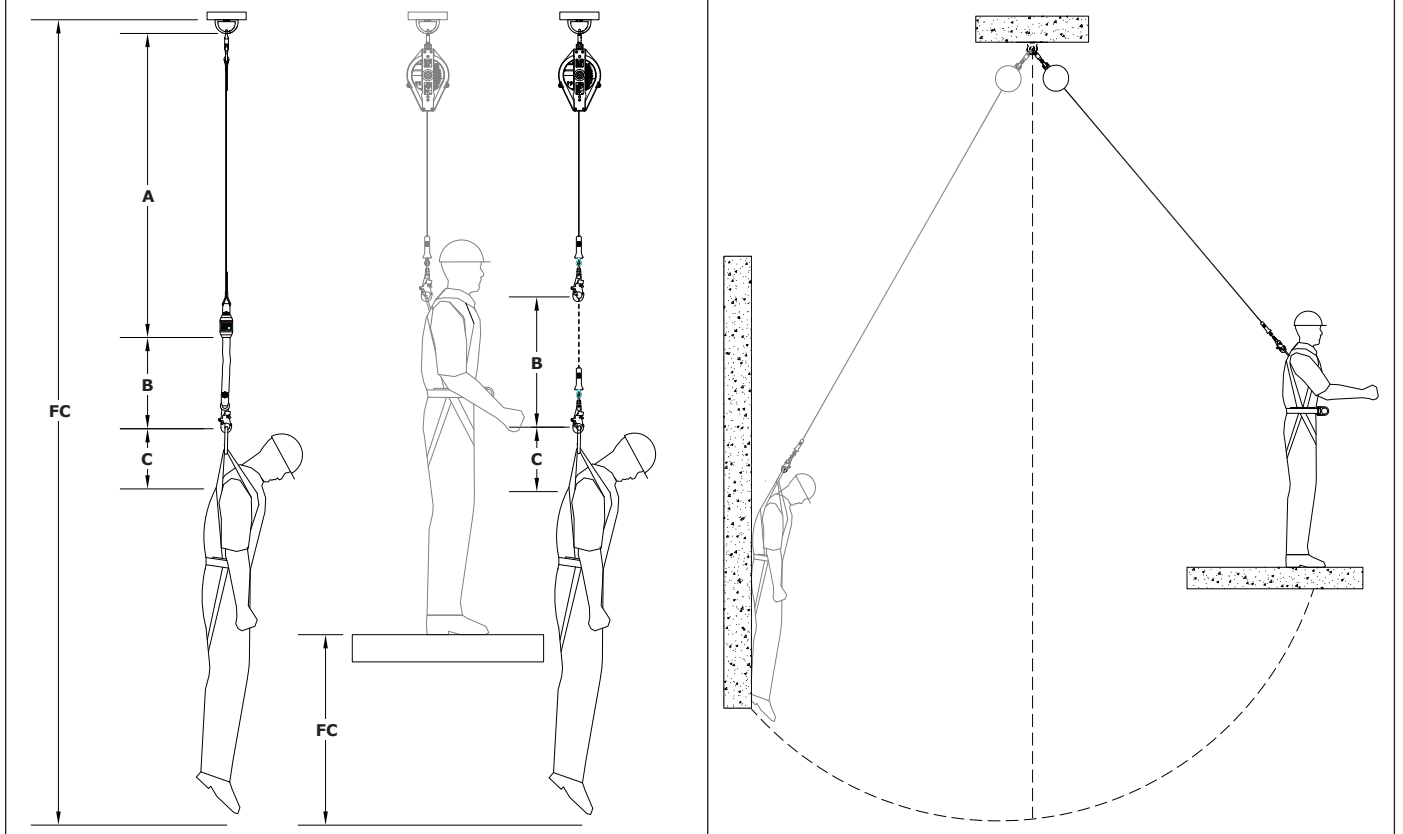


2



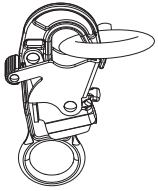
3

4

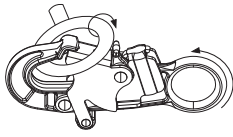


5

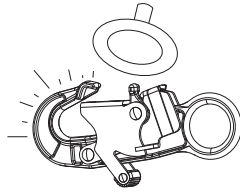
6



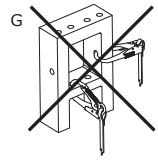
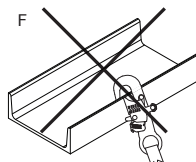
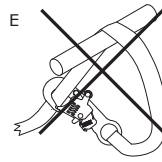
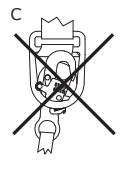
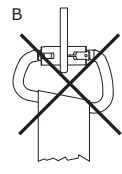
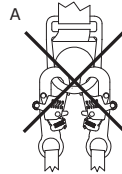
A



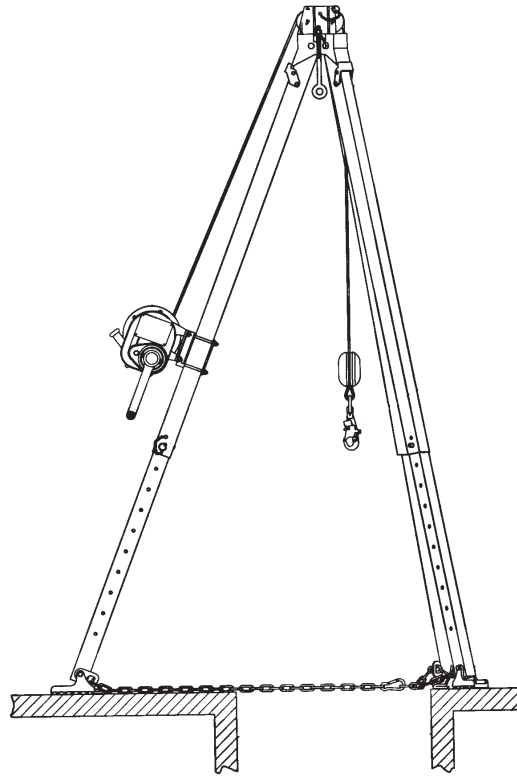
B



C

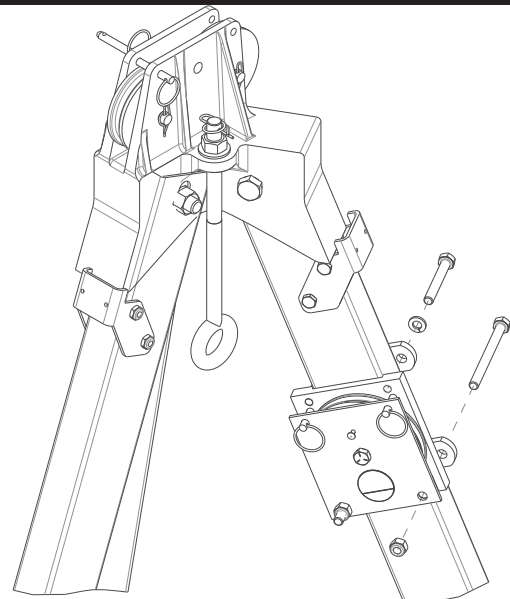
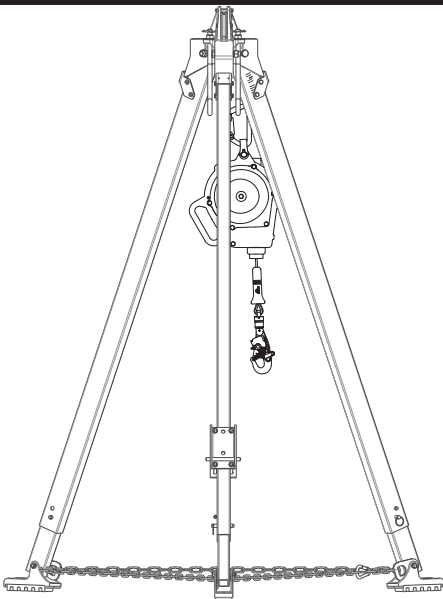


7

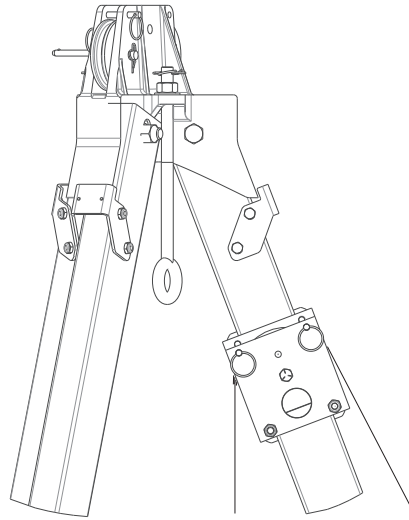


8

9

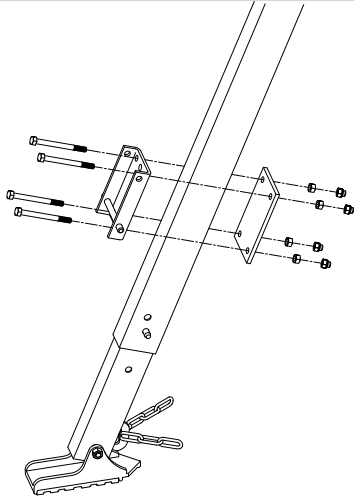


10

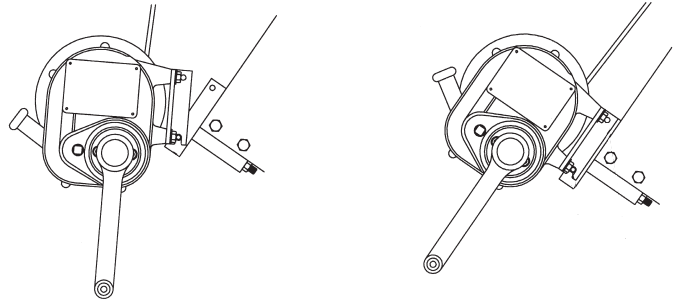


11

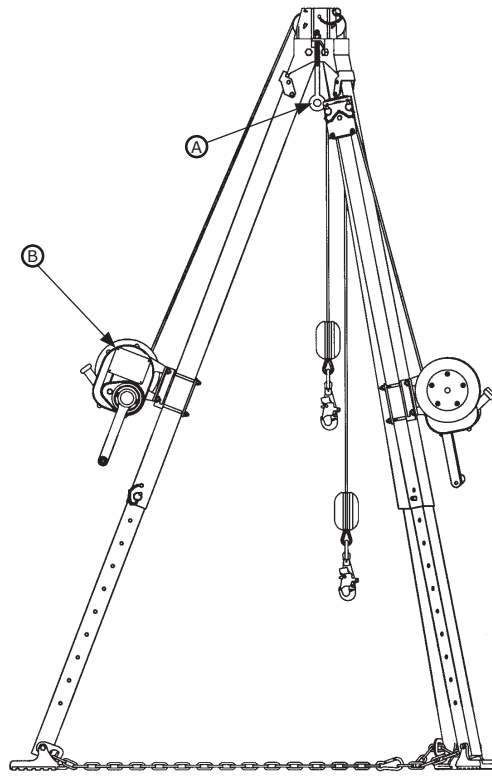
A



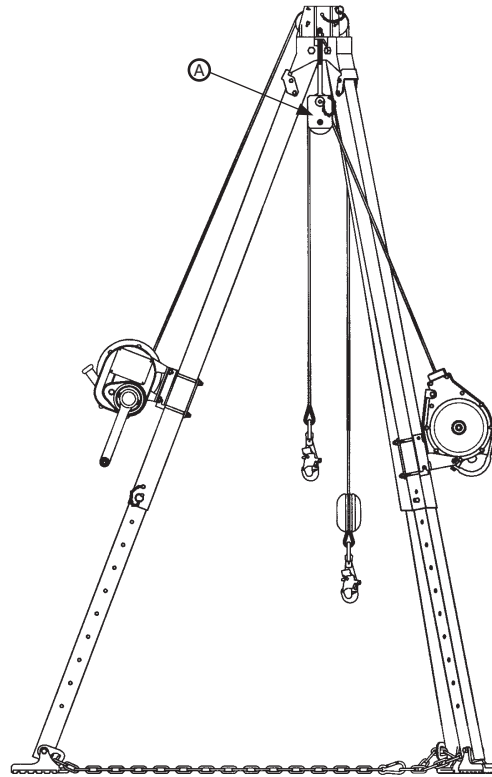
B

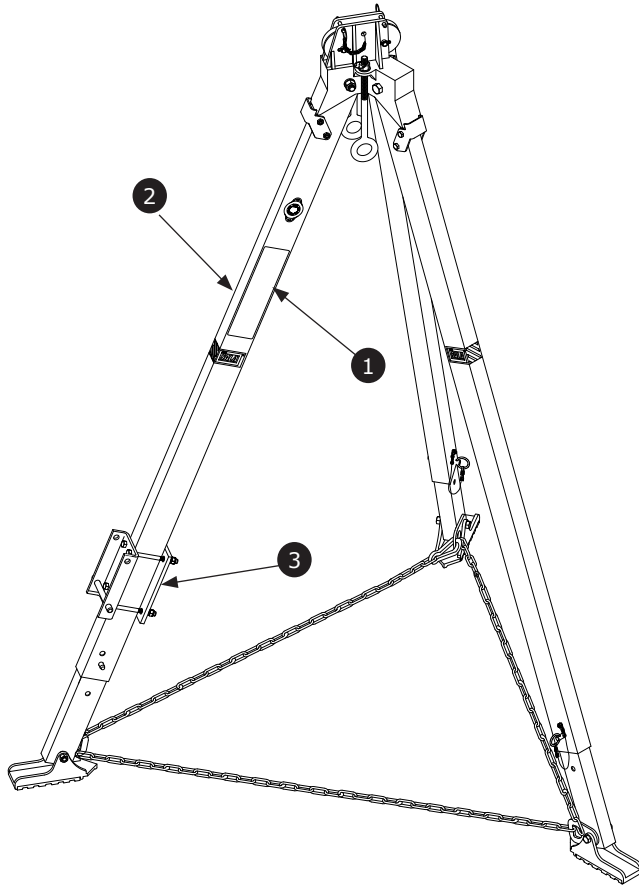


12



13





1

**3M** | **SALA**  
**Fall Protection**

3M.com/FallProtection

**SPECIFICATIONS:**  
 Working load: 350 lbs (159kg) maximum  
 Capacity: 130–310 lbs (59–140kg)  
 Materials: Aluminum and zinc plated steel.  
 Model: 8000000 (7 foot)  
 8000010 (9 foot)  
 Standards: Meets ANSI Z359.4, ANSI Z117.1, and OSHA 1910.140 & 1926.502

**i-Safe** This product is i-Safe enabled and contains an electronic tag that can be read by compatible readers – providing inspection logs, inventory management and other safety information.

**MFG / LOT NO: MODEL NO:**

9502040 Rev N

2

**WARNING**

Manufacturer's instructions supplied with this product at time of shipment must be followed for proper use, maintenance, and inspection. Alteration or misuse of this product, or failure to follow instructions may result in serious injury or death. Make only compatible connections.

**INSPECTION:** Before each use inspect tripod to determine if it is in good condition and working properly. At least monthly, tripod should be inspected by a competent person in accordance with the User Manual. Do not use if inspection reveals an unsafe or defective condition. Not user repairable.

**USE:** To erect tripod, pull leg downward as shown and swing leg fully outward. Check to see that lock has engaged. To collapse, pull leg downward and swing leg in. Adjust tripod height and level tripod head by adjusting telescopic lower leg(s). Tripod must be generally level and on solid footing for safe use. Adjust tripod leg chains to remove excess slack. To prevent tipping, load must remain inside chain perimeter. If required (See user manual) connect backup fall arrest system to eye bolt located under tripod head. Make only compatible connections. See user manual for details on making connections. Do not allow fall arrest, rescue, or personal riding systems to contact sharp edges or abrasive surfaces during use. Use caution applying this equipment near hazardous thermal, electrical, or chemical sources. Refer to User manual for additional information.

9502044 Rev K

3

**IMPORTANT**  
 DO NOT TIGHTEN CLAMP  
 PLATE BOLTS TO MORE  
 THAN 15 FT-LB. OVER  
 TIGHTENING CAN DAMAGE  
 TRIPOD LEG. 9503052 REV E

## SAFETY INFORMATION

Please read, understand, and follow all safety information contained in these instructions prior to the use of this Confined Space Entry/Rescue Device. FAILURE TO DO SO COULD RESULT IN SERIOUS INJURY OR DEATH.

These instructions must be provided to the user of this equipment. Retain these instructions for future reference.

### Intended Use:

This Confined Space Entry/Rescue Device is intended for use as part of a complete personal fall protection or rescue system.

Use in any other application including, but not limited to, non-approved material handling applications, recreational or sports related activities, or other activities not described in the User Instructions or Installation Instructions is not approved by 3M and could result in serious injury or death.

This device is only to be used by trained users in workplace applications.

### WARNING

This Confined Space Entry/Rescue Device is part of a personal fall protection or rescue system. It is expected that all users be fully trained in the safe installation and operation of the complete system. **Misuse of this device could result in serious injury or death.** For proper selection, operation, installation, maintenance, and service, refer to all Product Instructions and all manufacturer recommendations, see your supervisor, or contact 3M Technical Service.

- **To reduce the risks associated with working with a Confined Space Entry/Rescue Device which, if not avoided, could result in serious injury or death:**
  - Inspect the device before each use, at least annually, and after any fall event. Inspect in accordance with the User Instructions.
  - If inspection reveals an unsafe or defective condition, remove the device from service and repair or replace according to the User Instructions.
  - Any device that has been subject to fall arrest or impact force must be immediately removed from service. Refer to the User Instructions or contact 3M Fall Protection.
  - The device must only be installed in the manner detailed in the Installation Instructions or User Instructions. Installations and use outside the scope of the instruction must be approved in writing by 3M Fall Protection.
  - The substrate or structure to which the device is attached must be able to sustain the static loads specified for the device in the orientations permitted in the User Instructions or Installation Instructions.
  - Do not exceed the number of allowable users.
  - Never work below a suspended load or worker.
  - Use caution when installing, using, and moving the device as moving parts may create potential pinch points. Refer to the User Instructions.
  - Ensure proper lockout/tagout procedures have been followed as applicable.
  - Never attach to a system until it is positioned, fully assembled, adjusted, and installed. Do not adjust the system while a user is attached.
  - Only connect fall protection subsystems to the designated anchorage connection point on the device.
  - Prior to drilling or fastening, ensure no electric lines, gas lines, or other critical embedded systems will be contacted by the drill or the device.
  - Ensure that fall protection systems/subsystems assembled from components made by different manufacturers are compatible and meet the requirements of applicable standards, including the ANSI Z359 or other applicable fall protection codes, standards, or requirements. Always consult a Competent or Qualified Person before using these systems.
- **To reduce the risks associated with working at height which, if not avoided, could result in serious injury or death:**
  - Ensure your health and physical condition allow you to safely withstand all of the forces associated with working at height. Consult with your doctor if you have any questions regarding your ability to use this equipment.
  - Never exceed allowable capacity of your fall protection equipment.
  - Never exceed maximum free fall distance of your fall protection equipment.
  - Do not use any fall protection equipment that fails pre-use or other scheduled inspections, or if you have concerns about the use or suitability of the equipment for your application. Contact 3M Technical Services with any questions.
  - Some subsystem and component combinations may interfere with the operation of this equipment. Only use compatible connections. Consult 3M prior to using this equipment in combination with components or subsystems other than those described in the User Instructions.
  - Use extra precautions when working around moving machinery (e.g. top drive of oil rigs) electrical hazards, extreme temperatures, chemical hazards, explosive or toxic gases, sharp edges, or below overhead materials that could fall onto you or the fall protection equipment.
  - Use Arc Flash or Hot Works devices when working in high heat environments.
  - Avoid surfaces and objects that can damage the user or equipment.
  - Ensure there is adequate fall clearance when working at height.
  - Never modify or alter your fall protection equipment. Only 3M or parties authorized in writing by 3M may make repairs to the equipment.
  - Prior to use of fall protection equipment, ensure a rescue plan is in place which allows for prompt rescue if a fall incident occurs.
  - If a fall incident occurs, immediately seek medical attention for the worker who has fallen.
  - Do not use a body belt for fall arrest applications. Use only a Full Body Harness.
  - Minimize swing falls by working as directly below the anchorage point as possible.
  - If training with this device, a secondary fall protection system must be utilized in a manner that does not expose the trainee to an unintended fall hazard.
  - Always wear appropriate personal protective equipment when installing, using, or inspecting the device/system.



Prior to installation and use of this equipment, record the product identification information from the ID label in the Inspection and Maintenance Log (Table 2) at the back of this manual.

Always ensure you are using the latest revision of your 3M instruction manual. Visit the 3M website or contact 3M Technical Services for updated instruction manuals.

**PRODUCT DESCRIPTION:**

Figure 1 illustrates the 3M™ DBI-SALA® Confined Space Aluminum Tripod. The Tripod is a single point anchorage connector for a Fall Arrest system designed to be installed over an opening and meant to lower and raise the user into and out of the opening. The tripod is constructed of lightweight tubular aluminum legs with an aluminum head assembly and steel chain. The tripod can be combined with a variety of pulleys, winches, and fall arrest devices to meet a wide range of confined space entry, retrieval, and rescue requirements. Quick release pins at all adjustment points provide tool-less setup and adjustment. The Tripod can be used as a support structure for various types of safety devices. Some of these can mount directly to the anchor point at the top of the tripod head, while others may require an adapter bracket.

Figure 2 illustrates components of the Tripod. See Table 1 for Component Specifications. The Tripod Hoist is comprised of three Adjustable Legs (I) with a Head Assembly (C) at the top of the Legs. The Legs are operable through manipulation of the Leg Locking Pins (F) and Quick Mount Bracket (H), and are grounded by padded Feet (K). Once set, the Legs are secured using the Safety Chain (L). The Eye-Bolt Anchorage Bolt (E) below the Head Assembly is used for installation of a winch or SRD for rescue or retrieval purposes.

**Table 1 – Specifications**

System Specifications:				
<b>Capacity:</b>	One persons with a combined weight (clothing, tools, etc.) of no more than 310 lb. (140 kg).			
<b>Anchorage:</b>	<b>Fall Protection System</b>	<b>Certified Anchorage</b>	<b>Non-Certified Anchorage</b>	<b>Standard</b>
	Fall Arrest	2 times maximum arresting force	5,000 lb. (22.2 kN)	ANSI, OSHA
	Restraint	2 times foreseeable force	1,000 lb. (4.4 kN) per ANSI 5,000 lb. (22.2 kN) per OSHA	ANSI, OSHA
	Work Positioning	2 times foreseeable force	3,000 lb. (13.3 kN)	ANSI, OSHA
	Rescue	5 times applied load	3,000 lb. (13.3 kN)	ANSI
<b>Dimensions:</b>	See Figure 1 for the dimensions of the Tripod.			
<b>Maximum Working Load:</b>	350 lb. (158 kg).			
<b>Product Weight:</b>	<b>Model</b>	<b>Weight</b>		
	8000000	47 lb. (21 kg)		
	8000010	56 lb. (25 kg)		
<b>Standards:</b>	ANSI Z359.4; ANSI Z359.1; ANSI Z117.1; OSHA 1910.140; OSHA 1926.502			

Component Specifications:		
Figure 2 Reference	Component	Materials
Ⓐ	Pin	Zinc-plated steel
Ⓑ	Pulley	Zinc-plated steel
Ⓒ	Head	Aluminum
Ⓓ	Leg Lock	Zinc-plated steel
Ⓔ	Eye-Bolt Anchorage Point	Zinc-plated steel
Ⓕ	Labels	Polyester and polycarbonate laminate
Ⓖ	Quick Mount Bracket	Zinc-plated steel
Ⓗ	Adjustable Leg	Aluminum
Ⓘ	Leg Locking Pin	Zinc-plated steel
⓵	Foot	Aluminum
Ⓚ	Safety Chain	Zinc-plated steel

Tripod Dimensions				
Figure 1 Reference	8000000		8000010	
	Minimum Height	Maximum Height	Minimum Height	Maximum Height
Height Increments	3 in. (7.6 cm)		3 in. (7.6 cm)	
Hole Diameter Span* (A)	23 in. (58.4 cm)	32 in. (81.3 cm)	33 in. (83.8 cm)	44 in. (111.7 cm)
Overall Height (B)	68 in. (172.7 cm)	93 in. (236.2 cm)	95 in. (242.3 cm)	120 in. (304.8 cm)
Available Lift Height (C)	49 in. (124.5 cm)	74 in. (188 cm)	76 in. (193 cm)	101 in (256.5 cm)

Spread of Legs Inside of Shoe <b>(D)</b>	44 in. (111.8 cm)	63 in. (160 cm)	65 in. (165.1 cm)	84 in. (213.4 cm)
Spread of Legs Outside of Shoe <b>(E)</b>	58 in. (147.3 cm)	77 in. (195.6 cm)	79 in. (200.7 cm)	99 in. (251.5 cm)
Storage Length <b>(F)</b>	70 in. (177.8 cm)		102 in. (259 cm)	
<b>* Tripods will span a larger opening than the listed maximum height but the leg chains will cross over a portion of the opening.</b>				

## 1.0 PRODUCT APPLICATION

- 1.1 **PURPOSE:** Confined Space Systems are designed to provide anchorage connection points for Fall Arrest<sup>1</sup> or Fall Restraint<sup>2</sup> systems: Restraint, Work Positioning, Personnel Riding, Rescue, etc.
- 1.2 **STANDARDS:** Your Confined Space System conforms to the national or regional standard(s) identified on the front cover of these instructions. If this product is resold outside the original country of destination, the re-seller must provide these instructions in the language of the country in which the product will be used.
- 1.3 **SUPERVISION:** Installation of this equipment must be supervised by a Qualified Person<sup>3</sup>. Use of this equipment must be supervised by a Competent Person<sup>4</sup>.
- 1.4 **TRAINING:** This equipment must be installed and used by persons trained in its correct application. This manual is to be used as part of an employee training program as required by ANSI. It is the responsibility of the users and installers of this equipment to ensure they are familiar with these instructions, trained in the correct care and use of this equipment, and are aware of the operating characteristics, application limitations, and consequences of improper use of this equipment.
- 1.5 **RESCUE PLAN:** When using this equipment and connecting subsystem(s), the employer must have a rescue plan and the means at hand to implement and communicate that plan to users, authorized persons<sup>5</sup>, and rescuers<sup>6</sup>. A trained, on-site rescue team is recommended. Team members should be provided with the equipment and techniques to perform a successful rescue. Training should be provided on a periodic basis to ensure rescuer proficiency.
- 1.6 **INSPECTION FREQUENCY:** The Confined Space System shall be inspected by the user before each use and, additionally, by a competent person other than the user at intervals of no longer than one year.<sup>7</sup> Inspection procedures are described in the "Inspection and Maintenance Log". Results of each Competent Person inspection should be recorded on copies of the "Inspection and Maintenance Log".
- 1.7 **AFTER A FALL:** If the Confined Space System is subjected to the forces of arresting a fall, it must be removed from service immediately and destroyed.

## 2.0 SYSTEM REQUIREMENTS

- 2.1 **ANCHORAGE:** Anchorage requirements vary with the fall protection application. Structure on which the Confined Space System is placed or mounted must meet the Anchorage specifications defined in Table 1.
- 2.2 **PERSONAL FALL ARREST SYSTEM:** Figure 1 illustrates the application of this Confined Space System. Personal Fall Arrest Systems (PFAS) used with the system must meet applicable Fall Protection standards, codes, and requirements. The PFAS must incorporate a Full Body Harness, have a Maximum Permissible Free Fall of 6.0 ft. (1.8 m), and limit Average Arresting Force to the following values:

<b>PFAS with Shock Absorbing Lanyard</b>	900 lbf (4 kN)
<b>PFAS with Self Retracting Device</b>	900 lbf (4 kN)

- 2.3 **FALL PATH AND SRD LOCKING SPEED:** A clear path is required to assure positive locking of an SRD. Situations which do not allow for an unobstructed fall path should be avoided. Working in confined or cramped spaces may not allow the body to reach sufficient speed to cause the SRD to lock if a fall occurs. Working on slowly shifting material, such as sand or grain, may not allow enough speed buildup to cause the SRD to lock.
- 2.4 **HAZARDS:** Use of this equipment in areas with environmental hazards may require additional precautions to prevent injury to the user or damage to the equipment. Hazards may include, but are not limited to: heat, chemicals, corrosive environments, high voltage power lines, explosive or toxic gases, moving machinery, sharp edges, or overhead materials that may fall and contact the user or Personal Fall Arrest System.
- 2.5 **FALL CLEARANCE:** Figure 3 illustrates the components of a Fall Arrest. There must be sufficient Fall Clearance (FC) to arrest a fall before the user strikes the ground or other obstruction. Clearance is affected by a number of factors including: Anchorage Location, (A) Lanyard Length, (B) Lanyard Deceleration Distance or SRD Maximum Arrest Distance, and (C) Harness Stretch, D-Ring/Connector Length, and Settling (typically a Safety Factor of 1 m). Refer to the instructions included with your Fall Arrest subsystem for specifics regarding Fall Clearance calculation.
- 2.6 **SWING FALLS:** Swing Falls occur when the anchorage point is not directly above the point where a fall occurs (see Figure 4). The force of striking an object in a swing fall may cause serious injury or death. Minimize swing falls by working as directly below the anchorage point as possible. Do not permit a swing fall if injury could occur. Swing falls will significantly increase the clearance required when a Self-Retracting Device or other variable length connecting subsystem is used.

**1 Fall Arrest System:** A collection of Fall Protection Equipment configured to arrest a free fall.

**2 Fall Restraint System:** A collection of Fall Protection Equipment configured to prevent the person's center of gravity from reaching a fall hazard.

**3 Qualified Person:** An individual with a recognized degree or professional certificate, and extensive experience in Fall Protection. This individual must be capable of design, analysis, evaluation, and specification in Fall Protection.

**4 Competent Person:** One who is capable of identifying existing and predictable hazards in the surroundings or working conditions which are unsanitary, hazardous, or dangerous to employees, and who has authorization to take prompt corrective measures to eliminate them.

**5 Authorized Person:** For purposes of the Z359 standards, a person assigned by the employer to perform duties at a location where the person will be exposed to a fall hazard.

**6 Rescuer:** Person or persons other than the rescue subject acting to perform an assisted rescue by operation of a rescue system.

**7 Inspection Frequency:** Extreme working conditions (harsh environments, prolonged use, etc.) may require increasing the frequency of competent person inspections.

**2.7 COMPONENT COMPATIBILITY:** 3M equipment is designed for use with 3M approved components and subsystems only. Substitutions or replacements made with non-approved components or subsystems may jeopardize compatibility of equipment and may effect the safety and reliability of the complete system.

**2.8 CONNECTOR COMPATIBILITY:** Connectors are considered to be compatible with connecting elements when they have been designed to work together in such a way that their sizes and shapes do not cause their gate mechanisms to inadvertently open regardless of how they become oriented. Contact 3M if you have any questions about compatibility. Connectors (hooks, carabiners, and D-rings) must be capable of supporting at least 5,000 lbf (22.2 kN). Connectors must be compatible with the anchorage or other system components. Do not use equipment that is not compatible. Non-compatible connectors may unintentionally disengage (see Figure 5). Connectors must be compatible in size, shape, and strength. If the connecting element to which a snap hook or carabiner attaches is undersized or irregular in shape, a situation could occur where the connecting element applies a force to the gate of the snap hook or carabiner (A). This force may cause the gate to open (B), allowing the snap hook or carabiner to disengage from the connecting point (C). See Figure 3.

Self-locking snap hooks and carabiners are required by ANSI Z359 and OSHA.

**2.9 MAKING CONNECTIONS:** Snap hooks and carabiners used with this equipment must be self-locking. Ensure all connections are compatible in size, shape and strength. Do not use equipment that is not compatible. Ensure all connectors are fully closed and locked.

3M connectors (snap hooks and carabiners) are designed to be used only as specified in each product's user's instructions. See Figure 6 for examples of inappropriate connections. Do not connect snap hooks and carabiners:

- A. To a D-ring to which another connector is attached.
- B. In a manner that would result in a load on the gate. Large throat snap hooks should not be connected to standard size D-rings or similar objects which will result in a load on the gate if the hook or D-ring twists or rotates, unless the snap hook complies is equipped with a 3,600 lbf (16 kN) gate. Check the marking on your snap hook to verify that it is appropriate for your application.
- C. In a false engagement, where features that protrude from the snap hook or carabiner catch on the anchor, and without visual confirmation seems to be fully engaged to the anchor point.
- D. To each other.
- E. Directly to webbing or rope lanyard or tie-back (unless the manufacturer's instructions for both the lanyard and connector specifically allows such a connection).
- F. To any object which is shaped or dimensioned such that the snap hook or carabiner will not close and lock, or that roll-out could occur.
- G. In a manner that does not allow the connector to align properly while under load.

### 3.0 INSTALLATION

For special (custom) versions of this product, follow these user instructions. If enclosed, see the attached supplement for additional instructions specific to a custom product.

Installation of the Protecta Tripod must be supervised by a Qualified Person<sup>1</sup>. The installation must be certified by a Competent Person<sup>2</sup> as meeting the criteria for a Certified Anchorage, or that it is capable of supporting the potential forces that could be encountered during a fall.

**3.1 PLANNING:** Plan your fall protection system prior to installation of the Tripod. Account for all factors that may affect your safety before, during, and after a fall. Consider all requirements, limitations and specifications defined in Section 2 and Table 1. Any and all work must be carried out in such a way that the Tripod is positioned to minimize both the potential for falls and the potential fall distance. Review the following logistical considerations before using the Tripod:

**A. HAZARD EVALUATION:** Evaluate job site hazards prior to starting work. Consult applicable industry standards for guidelines and regulatory requirements on issues such as confined space entry, personal fall arrest systems, single-point adjustable suspended scaffolds, etc.

**B. WORK SITE GEOMETRY:** The installation and use of the Tripod must be consistent with the geometric requirements given in Section 3.3 or 3.4. Check for obstructions or sharp edges in the working path of the suspended working lines. Avoid working where the user may swing and hit an object or where lines may cross or tangle with that of another worker in the area.

**C. SECONDARY OR BACK-UP FALL ARREST:** When using the tripod as a support for suspending a worker at a work level, or for personnel riding applications, a secondary or back-up Fall Arrest system is required. The Tripod has provisions for connection of a secondary or back-up Fall Arrest system. Refer to Sections 3.5.

### 3.2 TRIPOD INSTALLATION REQUIREMENTS:

If an installation will be used for more than one type of application, always plan the loading for the application with the greatest load requirements. See Section 2 and Table 1 for application types and the supporting structure load requirements.

Do not use the same lifting device for both material handling and users.

**A. GEOMETRIC REQUIREMENTS:** The Tripod must be mounted where it can be leveled using the leg adjustments. The footing must be solid under each leg and support the intended loading. Position the Tripod such that the lifeline will be directly over the intended work area when installed. Avoid positioning the Tripod where the worker will have to swing under the Tripod to reach the work area. Avoid positioning the Tripod where the lifeline may abrade against sharp edges. See Figure 7.

Do not allow the lifeline to extend outside the legs of the Tripod. Tipping of the Tripod could occur.

**B. INSTALLING THE TRIPOD:** See Figure 7.

1. Lay the Tripod on the working surface.
2. Adjust the Legs to the required working height.
3. Tilt the Tripod into an upright position.
4. Fully spread the Legs and ensure the footing is solid under each Leg and can support the intended loads.
5. Position the Tripod over the opening so the lifeline will be located approximately in the center of the opening. This will ensure a safe working area for the user.
6. Level the Tripod by adjusting the Leg height.
7. Adjust the Safety Chain by removing excess slack.

Except for emergency situations where the Safety Chain may interfere with a rescue, the Tripod must never be used without the Safety Chains in place.

If one or more of the legs are not locked into the erect position (completely spread out), do not use the Tripod.

**3.3 CONNECTING EQUIPMENT TO THE TRIPOD:** The Tripod has been designed for multi-purpose applications that may involve the use of one or more systems attached to the Tripod. See below for connecting equipment to the DBI/SALA Tripod. Review all associated equipment instructions for further information before installing.

Multiple systems may be attached to the Tripod (e.g., primary support lifeline and back-up lifeline) for one person only. **Only Emergency Rescue applications allow for two person use.**

A maximum of one system can be attached to one Tripod leg. A maximum of two systems should be attached to one Tripod, except back-up lifelines (Fall Arrest applications) which are limited to one system.

**A. EYE BOLT:** A subsystem (Self-Retracting Device, Rope Grab with Lifeline) can be attached to either one of the Eye-Bolt anchorage points. See Figure 8. Connect equipment to the Eye Bolt anchorage point by using a clevis and pin (minimum breaking strength of 5,000 lb. (22.2 kN), self-locking carabiners, or self-locking snap hooks.

**B. LEG MOUNT PULLEY:** Figures 9 and 10 shows the optional Leg Mount Pulley model 8003238. This pulley is used when more than one device is mounted to the Tripod leg requiring a directional pulley. The pulley meets a 5:1 safety factor when used on the DBI-SALA Tripods. The Leg Mount Pulley will accommodate up to 1/4 in. diameter line. Install the Leg Mount Pulley on the desired Tripod leg as shown in Figure 9. Position the Leg Mount Pulley within 12 in. from the top of the Tripod. The Pulley may be positioned on either side of the Tripod leg. It may be necessary to remove one of the Eye Bolts to gain clearance for the lifeline. Tighten the clamp plate bolts to 15 ft-lb. Do not use or install more than one system on a single Tripod leg.

**C. QUICK-MOUNT BRACKET:** To install the Quick-Mount Bracket model 8005048 to the Tripod leg, assemble as shown in Figure 11A. Adjust the Bracket to the desired position on the leg and tighten bolts to 15 ft-lb. Do not over tighten. Do not install the Quick-Mount Bracket onto the lower (telescoping) leg. The Quick-Mount Bracket must be used for connection of the Salalift™ Winch (8101000 series), the Work Winch (8103000 series), or for leg mounting of 3M Self-Retracting Devices (Figure 11B).

**D. HEAD MOUNT PULLEYS:** The 8000000 and 8000010 model Tripods come equipped with Head Mount Pulleys (A). These pulleys should be used for mounting the lifeline of the primary use system over the Tripod head when used in the leg-mounted position. The Head Mount Pulleys will accommodate up to a 1/4 inch diameter line. See Figures 12.

**E. SNATCH BLOCK PULLEYS:** Figure 13 show the optional Snatch Block (A) pulley assembly model 8003205. The Snatch Block pulley is used when more than one device is mounted to the Tripod that requires a directional pulley. This pulley meets a 5:1 safety factor when used with the DBI-SALA Tripod. The Snatch Block pulley is attached to one of the unused Eye-Bolts and will accommodate up to 1/4 in. diameter lifeline. Do not use the Salalift™ Winch with the Snatch Block Pulley because of possible cable rubbing on the Tripod leg and uneven winding of the lifeline onto the winch drum.

**F. SALALIFT™ WINCH:** When using the Salalift winch (8101000 series) with the Tripod, the winch (B) must be mounted to the leg inline with the head mount pulleys (Figure 12). Route the winch line over the head mount pulleys as instructed in the Salalift winch user instructions. Do not use the winch with a Snatch Block Pulley.

## 4.0 USE

**4.1 BEFORE EACH USE:** Verify that your work area and Fall Arrest System meet all criteria defined in Section 2 and a formal Rescue Plan is in place. Inspect the Tripod per the 'User' inspection points defined on the "Inspection and Maintenance Log" (Table 2). If inspection reveals an unsafe or defective condition, remove the system from use immediately. See Section 5 for more information on defective conditions.

**4.2 FALL ARREST CONNECTIONS:** The Tripod is used with a Full Body Harness and Energy Absorbing Lanyard or Self-Retracting Device (SRD).

*Knots must not be used for load-bearing end terminations. Some knots reduce the strength of the lifeline by 50 percent or more.*

## 5.0 INSPECTION

**5.1 INSPECTION FREQUENCY:** The Tripod must be inspected at the intervals defined in Section 1. Inspection procedures are described in the "Inspection and Maintenance Log" (Table 2). Inspect all other components of the Fall Protection System per the frequencies and procedures defined in the manufacturer's instructions. Extreme working conditions (harsh environment, prolonged use, etc.) may require increasing the frequency of inspections.

**5.2 AFTER A FALL:** If the Tripod has been subjected to Fall Arrest or impact forces, it must be immediately removed from service and inspected.

**5.3 DEFECTS:** If inspection reveals an unsafe or defective condition, remove the Tripod from service immediately and contact 3M regarding replacement or repair. Do not attempt to repair the Fall Arrest System.

**Authorized Repairs Only:** *Only 3M or parties authorized in writing may make repairs to this equipment.*

**5.4 PRODUCT LIFE:** The functional life of the Fall Arrest System is determined by work conditions and maintenance. As long as the product passes inspection criteria, it may remain in service.

## 6.0 MAINTENANCE, SERVICE, and STORAGE

**6.1 CLEANING:** Periodically clean the Tripod's metal components with a soft brush, warm water, and a mild soap solution. Ensure parts are thoroughly rinsed with clean water. Clean labels as required.

**6.2 STORAGE AND TRANSPORT:** When not in use, store and transport the Tripod and associated Fall Protection equipment in a cool, dry, clean environment out of direct sunlight. Avoid areas where chemical vapors may exist. Thoroughly inspect components after extended storage.

## 7.0 LABELS

Figure 14 illustrates labels on the Tripod. Labels must be replaced if they are not fully legible. Information provided on each label is as follows:

<b>1</b>	<p><b>Working Load:</b> 350 lbs (159kg) maximum</p> <p><b>Capacity:</b> 130–310 lbs (59–140kg)</p> <p><b>Materials:</b> Aluminum and zinc plated steel</p> <p><b>Model:</b> 8000000 (7 foot); 8000010 (9 foot)</p> <p><b>Standards:</b> ANSI Z359.4; ANSI Z117.1; OSHA 1910.140; OSHA 1926.502</p>
----------	--

2

Manufacturer's instructions supplied with this product at time of shipment must be followed for proper use, maintenance, and inspection. Alteration or misuse of this product, or failure to follow instructions may result in serious injury or death.

**Inspection:** Before each use inspect ripod to determine if it is in good condition and working properly. At least monthly, tripod should be inspected by a competent person in accordance with the User Manual. Do not use if inspection reveals an unsafe or defective condition. Not user repairable.

**Use:** To erect tripod, pull leg downward as shown and swing leg fully outward. Check to see that lock has engaged. To collapse, pull leg downward and swing leg in. Adjust tripod height and level tripod head by adjusting telescopic lower leg(s). Tripod must be generally level and on solid footing for safe use. Adjust tripod leg chains to remove excess slack. To prevent tipping, load must remain inside chain perimeter. If required (See user manual) connect backup fall arrest system to eye bolt located under tripod head. Make only compatible connections. See user manual for details on making connections. Do not allow fall arrest, rescue, or personal riding systems to contact sharp edges or abrasive surfaces during use. Use caution applying this equipment near hazardous thermal, electrical, or chemical sources. Refer to User manual for additional information.







## INFORMATION DE SÉCURITÉ

**Veillez lire, comprendre et suivre toutes les informations de sécurité contenues dans ces instructions avant d'utiliser ce dispositif de sauvetage/d'entrée dans un espace confiné. LE NON-RESPECT DE CES INSTRUCTIONS PEUT ENTRAÎNER DES BLESSURES GRAVES, VOIRE LA MORT.**

**Ces instructions doivent être transmises à l'utilisateur de cet équipement. Veillez conserver ces instructions pour une utilisation ultérieure.**

### Utilisation prévue :

Ce dispositif de sauvetage/d'entrée dans un espace confiné est prévu pour être utilisé comme partie intégrante d'un système de protection antichute personnel complet ou d'un équipement de sauvetage.

L'utilisation dans le cadre d'autres applications, notamment des applications de manutention des matériaux non approuvées, des activités récréatives ou liées au sport ou d'autres activités non décrites dans les instructions destinées à l'utilisateur, n'est pas approuvée par 3M et peut entraîner des blessures graves, voire la mort.

Ce dispositif doit être utilisé uniquement par des usagers formés sur les applications du lieu de travail.

## AVERTISSEMENT

Ce dispositif de sauvetage/d'entrée dans un espace confiné fait partie d'un système de protection antichute personnel ou d'un équipement de sauvetage. Il est attendu que tous les utilisateurs sont entièrement formés sur l'installation et le fonctionnement sécuritaires du système complet. **Une mauvaise utilisation de ce dispositif peut entraîner des blessures graves, voire la mort.** Pour s'assurer d'un choix, d'un fonctionnement, d'une installation, de travaux d'entretien et de réparation appropriés, reportez-vous aux instructions sur le produit, ainsi qu'à toutes les recommandations du fabricant, consultez votre superviseur ou communiquez avec les services techniques de 3M.

- **Pour réduire les risques associés au travail avec un dispositif de sauvetage/d'entrée dans un espace confiné qui, s'ils ne sont pas évités, pourraient entraîner de graves blessures, voire la mort :**
  - Inspectez le dispositif avant chaque utilisation, au moins annuellement, et après chaque cas de chute. Réalisez l'inspection conformément aux instructions de l'utilisateur.
  - Si l'inspection révèle l'existence d'une défectuosité ou d'un problème affectant la sécurité, mettez l'équipement hors service et faites-le réparer ou remplacez-le conformément à ces instructions.
  - Tout dispositif ayant été soumis à des forces d'arrêt de chute ou à une force d'impact doit être immédiatement retiré du service. Consultez les instructions de l'utilisateur ou contactez le service de protection antichute 3M.
  - Le dispositif doit uniquement être installé de la façon décrite dans les instructions d'installation ou les instructions de l'utilisateur. Toute installation ou utilisation qui est hors de la portée des instructions doit être approuvée par écrit par le service de protection antichute de 3M.
  - La structure ou le substrat auquel le dispositif est fixé doit pouvoir résister aux charges statiques précisées pour le dispositif dans les sens permis indiqués dans les instructions de l'utilisateur ou les instructions d'installation.
  - N'excédez pas le nombre d'utilisateurs permis.
  - Ne travaillez jamais sous une charge ou un travailleur suspendu.
  - Soyez prudent au moment d'installer, d'utiliser et de déplacer le dispositif, car les pièces mobiles peuvent créer des points de pincement potentiels. Consultez les instructions de l'utilisateur.
  - Assurez-vous que les procédures de verrouillage et d'étiquetage ont été suivies comme il convient.
  - Ne vous attachez jamais à un système tant qu'il n'est pas positionné, entièrement assemblé, ajusté et installé. N'ajustez pas le système lorsqu'un utilisateur y est attaché.
  - Ne connectez que les sous-systèmes de protection antichute au point de connexion d'ancrage désigné sur le dispositif.
  - Avant de procéder au perçage ou à une fixation, assurez-vous que la perceuse ou le dispositif n'entrera pas en contact avec des lignes électriques, des conduites de gaz ou d'autres systèmes intégrés critiques.
  - Assurez-vous que les systèmes/sous-systèmes de protection antichute assemblés à partir de composants fabriqués par différents fabricants sont compatibles et répondent aux exigences des normes applicables, y compris la norme ANSI Z359 ou d'autres codes, normes ou exigences de protection antichute applicables. Consultez toujours une personne qualifiée ou compétente avant d'utiliser ces systèmes.
- **Pour réduire les risques associés au travail en hauteur qui, s'ils ne sont pas évités, pourraient entraîner des blessures graves, voire la mort :**
  - Assurez-vous que votre condition physique et votre état de santé vous permettent de supporter en toute sécurité toutes les forces associées au travail en hauteur. Consultez votre médecin en cas de questions sur votre capacité à utiliser cet équipement.
  - Ne dépassez jamais la capacité maximale permise de votre équipement de protection antichute.
  - Ne dépassez jamais la distance maximale de chute libre de votre équipement de protection antichute.
  - N'utilisez jamais un équipement de protection antichute qui échoue à une inspection préalable à son utilisation ou à toute autre inspection programmée ou encore si vous vous inquiétez de l'utilisation ou de la pertinence de l'équipement pour votre application. En cas de questions, n'hésitez pas à communiquer avec les services techniques de 3M.
  - Certaines combinaisons de sous-systèmes et de composants peuvent gêner le fonctionnement de cet équipement. N'utilisez que des connecteurs compatibles. Consultez 3M avant d'employer cet équipement conjointement avec des composants ou des sous-systèmes autres que ceux décrits dans les instructions à l'utilisateur.
  - Prenez des précautions supplémentaires lorsque vous travaillez à proximité d'une machinerie mobile (p. ex. l'entraînement supérieur d'une plateforme pétrolière), en présence de risques électriques, de températures extrêmes, de risques chimiques, de gaz explosifs ou toxiques, de bords tranchants ou de matériaux en hauteur pouvant tomber sur vous ou votre équipement de protection antichute.
  - Lorsque vous travaillez dans un environnement où la chaleur est élevée, utilisez des appareils dont l'usage se fait en environnement chaud ou en présence d'arc électrique.
  - Évitez les surfaces et les objets qui pourraient endommager l'équipement de l'utilisateur.
  - Lorsque vous travaillez en hauteur, vérifiez d'abord que la distance d'arrêt est adéquate.
  - Ne modifiez jamais votre équipement de protection antichute. Seules 3M ou les parties autorisées par écrit par 3M sont en droit d'effectuer des réparations sur cet équipement.
  - Avant d'utiliser un équipement de protection antichute, assurez-vous qu'un plan de sauvetage est en place et permet un sauvetage rapide en cas de chute.
  - Si un tel incident devait se produire, obtenez des soins médicaux immédiats pour le travailleur tombé.
  - N'utilisez pas de ceinture de travail dans les applications de protection antichute. N'utilisez qu'un harnais de sécurité complet.
  - Vous pouvez réduire les chutes oscillantes en travaillant aussi près que possible de l'ancrage.
  - Si ce dispositif est utilisé en formation, un second système de protection antichute doit être utilisé aussi de façon à ne pas exposer le stagiaire à un danger de chute involontaire.
  - Portez toujours un équipement de protection individuelle approprié lors de l'installation, de l'utilisation ou de l'inspection du dispositif/système.

Avant d'installer et d'utiliser ce matériel, consigner l'information d'identification de produit de l'étiquette d'identification dans le Journal d'inspection et d'entretien (tableau 2) à la fin de ce manuel.

Toujours s'assurer d'utiliser la dernière révision du manuel d'utilisation de 3M. Consulter le site Web de 3M ou communiquer avec le Service technique de 3M pour obtenir des manuels d'utilisation mis à jour.

### DESCRIPTION DU PRODUIT :

La figure 1 illustre le trépied en aluminium pour les espaces clos DBI-SALA® 3M<sup>®</sup>. Le trépied est un connecteur d'ancrage simple conçu pour un système antichute qui doit être installé au-dessus d'une ouverture et destiné à abaisser ou soulever l'utilisateur dans l'ouverture ou à l'extérieur de celle-ci. Le trépied est fabriqué à partir de pattes tubulaires en aluminium léger avec un ensemble de tête en aluminium et une chaîne en acier. Le trépied peut être combiné à plusieurs poulies, treuils et dispositifs antichute pour répondre à une vaste gamme d'exigences en matière d'entrée, d'extraction et de secours pendant le travail dans un espace clos. Les goupilles à dégagement rapide de tous les points de réglage permettent une configuration et un réglage sans outil. Le trépied peut servir de structure de soutien pour divers types de dispositifs de sécurité. Certains de ces dispositifs peuvent être montés directement sur un point d'ancrage dans le haut de la tête du trépied alors que d'autres nécessitent un support adaptateur.

La figure 2 montre les composants du trépied. Consulter le tableau 1 pour les spécifications des composants. Le palan de trépied est composé de trois pattes réglables (I) avec un ensemble de tête (C) en haut des pattes. Les pattes fonctionnent à l'aide des goupilles de sécurité sur celles-ci (F) et le support de montage rapide (H), et sont fixées au sol par des pieds avec un coussin (K). Une fois réglées, les pattes sont sécurisées par une chaîne de sécurité (L). Le boulon d'ancrage à œil (E) situé sous l'ensemble de la tête est utilisé pour l'installation d'un treuil ou d'un dispositif autorétractable pour le secours ou le sauvetage.

### Tableau 1 – Spécifications

Spécifications du système :				
<b>Capacité :</b>	Une personne dont le poids combiné (vêtements, outils, etc.) ne dépasse pas 140 kg (310 lb).			
<b>Ancrage :</b>	Voir la section 2,1.			
<b>Dimensions :</b>	Consulter la figure 1 pour connaître les dimensions du trépied.			
<b>Charge de travail maximale:</b>	158 kg (350 lb.)			
<b>Poids du produit :</b>	<b>Modèle</b>	<b>Poids</b>		
	8000000	21 kg (47 lb)		
	8000010	25 kg (56 lb)		
<b>Normes :</b>	ANSI Z359.4; ANSI Z359.1; ANSI Z117.1; OSHA 1910.140; OSHA 1926.502			
Spécifications des composants :				
Figure 2 Référence	Composant	Matériaux		
Ⓐ	de sécurité	Acier zingué		
Ⓑ	Poulie	Acier zingué		
Ⓒ	Tête	Aluminium		
Ⓓ	Verrou à pattes	Acier zingué		
Ⓔ	Boulon à œil servant de point d'ancrage	Acier zingué		
Ⓕ	Étiquettes	Stratifié en polyester et en polycarbonate		
Ⓖ	Support de montage rapide	Acier zingué		
Ⓗ	Patte réglable	Aluminium		
Ⓘ	Goupille de sécurité de la patte	Acier zingué		
Ⓙ	Pied	Aluminium		
Ⓚ	Chaîne de sécurité	Acier zingué		
Dimensions du trépied				
Figure 1 Référence	8000000		8000010	
	Hauteur minimale	Hauteur maximale	Hauteur minimale	Hauteur maximale
Incréments de hauteur	7,6 cm (3 po)		7,6 cm (3 po)	
Couverture du diamètre de l'ouverture* (A)	58,4 cm (23 po)	81,3 cm (32 po)	83,8 cm (33 po)	111,7 cm (44 po)
Hauteur totale (B)	172,7 cm (68 po)	236,2 cm (93 po)	242,3 cm (95 po)	304,8 cm (120 po)
Hauteur de levée disponible (C)	124,5 cm (49 po)	188 cm (74 po)	193 cm (76 po)	256,5 cm (101 po)
Déploiement des pattes – Intérieur du patin (D)	111,8 cm (44 po)	160 cm (63 po)	165,1 cm (65 po)	213,4 cm (84 po)
Déploiement des pattes – Extérieur du patin (E)	147,3 cm (58 po)	195,6 cm (77 po)	200,7 cm (79 po)	251,5 cm (99 po)
Longueur de stockage (F)	177,8 cm (70 po)		259 cm (102 po)	
* Les trépieds couvriront une plus grande ouverture que la hauteur maximale indiquée, mais les chaînes des pattes se croiseront au-dessus d'une partie de l'ouverture.				

## 1.0 APPLICATION DU PRODUIT

- 1.1 OBJECTIF :** Les systèmes pour espaces clos sont conçus pour fournir des points de raccordement d'ancrage pour les systèmes antichute<sup>1</sup> ou de limitation de<sup>2</sup> chute : limitation de chute, positionnement pour le travail, dispositif de déplacement du personnel, sauvetage, etc.
- 1.2 NORMES :** Le système de sécurité pour espace clos est conforme à la ou aux norme(s) nationale(s) ou régionale(s) indiquée(s) sur la couverture des présentes directives. Si ce produit est revendu en dehors du pays d'origine de destination, le revendeur doit fournir ces directives dans la langue du pays dans lequel le produit est utilisé.
- 1.3 SUPERVISION :** L'installation de ce matériel doit être supervisée par une personne qualifiée.<sup>3</sup>. L'utilisation de cet équipement doit être supervisée par une personne compétente.<sup>4</sup>.
- 1.4 FORMATION :** Ce matériel doit être installé et utilisé par des personnes formées pour que son application soit appropriée. Ce manuel doit être utilisé dans le cadre d'un programme de formation pour les employés, comme requis par la norme ANSI. L'utilisateur et l'installateur de ce matériel sont tenus de se familiariser avec les présentes directives, de suivre une formation afin de maintenir et d'utiliser correctement ce matériel et de bien connaître les caractéristiques opérationnelles, les limites des applications ainsi que les conséquences d'une utilisation inappropriée de ce matériel.
- 1.5 PLAN DE SAUVETAGE :** Pour l'utilisation de ce matériel et des sous-systèmes de raccordement, l'employeur doit avoir un plan de sauvetage et les moyens de le mettre en œuvre et de le communiquer aux utilisateurs, aux personnes autorisées<sup>5</sup> et aux sauveteurs<sup>6</sup>. Il est conseillé d'avoir une équipe de sauvetage formée présente sur place. Les membres de l'équipe doivent disposer du matériel et de l'équipement, ainsi que des connaissances techniques nécessaires pour accomplir un sauvetage réussi. La formation doit être répétée régulièrement afin d'assurer l'efficacité des sauveteurs.
- 1.6 FRÉQUENCE D'INSPECTION :** Le système pour espaces clos doit être inspecté par l'utilisateur avant chaque utilisation ainsi que par une personne compétente autre que l'utilisateur à des intervalles n'excédant pas une fois par année.<sup>7</sup> Les procédures d'inspection sont décrites dans le « *Journal d'inspection et d'entretien* ». Les résultats de chaque inspection effectuée par une personne compétente doivent être consignés sur des copies du « *Journal d'inspection et d'entretien* ».
- 1.7 APRÈS UNE CHUTE :** Si le système pour espaces clos est soumis à des forces d'arrêt causées par une chute, il doit immédiatement être mis hors service et détruit.

## 2.0 EXIGENCES DU SYSTÈME

- 2.1 ANCRAGE** *Les exigences d'ancrage varient selon l'application de protection contre les chutes. La structure sur laquelle le système pour espaces clos est placé ou monté doit satisfaire aux spécifications d'ancrage définies dans le tableau 1.*
- 2.2 SYSTÈME ANTICHUTE INDIVIDUEL :** La figure 1 illustre l'application de ce système pour espaces clos. Les systèmes antichute individuels utilisés avec ce système doivent être conformes aux normes, aux codes et aux exigences applicables en matière de protection contre les chutes. Les systèmes antichute individuels doivent comprendre un harnais de sécurité complet, avoir une distance de chute libre maximale de 1,8 m (6 pi) et limiter la force d'arrêt moyenne aux valeurs suivantes :

<b>Système antichute individuel avec longue amortisseur</b>	4 kN (900 lb)
<b>Système antichute individuel avec dispositif autorétractable</b>	4 kN (900 lb)

- 2.3 TRAJECTOIRE DE CHUTE ET VITESSE DE BLOCAGE DU DISPOSITIF AUTORÉTRACTABLE :** Une trajectoire de chute non obstruée est nécessaire pour que le dispositif autorétractable se bloque normalement. Les situations sans trajectoire de chute non obstruée doivent être évitées. Lorsqu'une personne travaille dans un espace réduit ou étroit, il est possible qu'en cas de chute, le corps ne puisse pas atteindre une vitesse suffisante pour que le dispositif autorétractable se bloque. De même, il est possible qu'une personne travaillant sur un matériau instable, comme du sable ou du grain, ne puisse pas chuter à une vitesse suffisante pour bloquer le dispositif autorétractable.
- 2.4 DANGERS :** L'utilisation de ce matériel dans des zones de dangers environnementaux peut exiger de prendre des précautions additionnelles afin d'éviter que l'utilisateur ne se blesse ou que le matériel ne subisse des dommages. Les dangers peuvent comprendre, notamment et sans limitation : la chaleur, les produits chimiques, les environnements corrosifs, les lignes électriques à haute tension, les gaz explosifs ou toxiques, de la machinerie en mouvement, les bords acérés ou les matériaux suspendus pouvant tomber et entrer en contact avec l'utilisateur ou le système antichute individuel.
- 2.5 DÉGAGEMENT DE CHUTE :** La figure 3 illustre les composants d'un système antichute. Le dégagement de chute (DC) doit être suffisant pour arrêter la chute avant que l'utilisateur n'entre en contact avec le sol ou tout autre obstacle. Le dégagement est affecté par un certain nombre de facteurs, notamment : emplacement de l'ancrage, (A) longueur de la longe, (B) distance de décélération de la longe ou distance d'arrêt maximale du dispositif autorétractable, et (C) étirement du harnais, longueur de l'anneau en D/du connecteur et affaissement (généralement un facteur de sécurité de 1 m). Consulter les directives incluses avec le sous-système antichute pour connaître les détails concernant le calcul du dégagement de chute.
- 2.6 CHUTES AVEC MOUVEMENT DE BALANCIER :** Les chutes avec mouvement de balancier se produisent lorsque le point d'ancrage ne se trouve pas directement au-dessus du point d'ancrage où une chute se produit (voir la figure 4). Si un objet est heurté pendant le mouvement de balancier, la force peut être importante et causer des blessures graves ou la mort. Minimiser les risques de chutes avec mouvement de balancier en travaillant le plus directement possible sous le point d'ancrage. Éviter toute chute avec mouvement

**1 Système antichute :** Gamme de matériel de protection contre les chutes configuré pour arrêter une chute libre.

**2 Système de limitation de chute :** Gamme de matériel de protection contre les chutes configuré pour empêcher que le centre de gravité d'une personne atteigne un risque de chute.

**3 Personne qualifiée :** Personne possédant un diplôme ou un certificat professionnel et une expérience approfondie en protection contre les chutes. Cette personne doit être en mesure de concevoir, d'analyser, d'évaluer et de spécifier des systèmes de protection contre les chutes.

**4 Personne compétente :** Personne capable de reconnaître les dangers existants et prévisibles au sein du milieu de travail ou les conditions de travail insalubres, risquées ou dangereuses pour les employés, et qui possède l'autorisation pour apporter des mesures correctives diligentes pour les éliminer.

**5 Personne autorisée :** Aux fins des normes Z359, personne affectée par l'employeur et chargée d'exécuter des travaux à un emplacement qui l'expose à un danger de chute.

**6 Sauveteur :** Toute personne autre que la personne secourue effectuant un sauvetage assisté à l'aide d'un système de sauvetage.

**7 Fréquence d'inspection :** Des conditions de travail extrêmes (environnements rigoureux, utilisation prolongée, etc.) peuvent nécessiter des inspections plus fréquentes de la part de personnes compétentes.

de balancier s'il y a un risque de blessure. Les chutes avec mouvement de balancier requièrent une plus grande distance d'arrêt lors de l'utilisation d'une ligne de vie autorétractable ou de tout autre sous-système de raccordement à longueurs variables.

**2.7 COMPATIBILITÉ DES COMPOSANTS :** Le matériel 3M est destiné à être utilisé uniquement avec des composants et des sous-systèmes approuvés par 3M. Les composants ou sous-systèmes non approuvés utilisés pour le remplacement ou la substitution peuvent compromettre la compatibilité du matériel et affecter la sécurité et la fiabilité du système complet.

**2.8 COMPATIBILITÉ DES CONNECTEURS :** Les connecteurs sont jugés compatibles avec les éléments de raccordement lorsqu'ils ont été conçus pour travailler conjointement et de telle manière que leurs tailles et formes n'entraînent pas l'ouverture des mécanismes, quelle que soit leur orientation. Communiquer avec 3M pour toute question sur la compatibilité.

Les connecteurs (crochets, mousquetons et anneaux en D) doivent pouvoir supporter une charge minimale de 22,2 kN (5 000 lb). Les connecteurs doivent être compatibles avec l'ancrage ou tout autre composant du système. N'utiliser aucun équipement non compatible. Les connecteurs non compatibles peuvent se désengager accidentellement (voir la figure 5). Les connecteurs doivent être compatibles en ce qui concerne leur taille, leur forme et leur résistance. Si le connecteur sur lequel se fixe le crochet à ressort ou le mousqueton est trop petit ou de forme irrégulière, celui-ci risque d'exercer une force sur le doigt du crochet à ressort ou du mousqueton (A). Cette force peut entraîner l'ouverture de la clavette (B), permettant ainsi au crochet à ressort ou au mousqueton de se désengager du point d'attache (C). Voir la figure 3.

La norme Z359 de l'ANSI et l'OSHA exigent l'utilisation de crochets à ressort et de mousquetons autoverrouillables.

**2.9 RACCORDEMENTS :** Les crochets à ressort et les mousquetons utilisés avec ce matériel doivent être autoverrouillables. S'assurer que tous les raccordements sont compatibles en ce qui concerne leur taille, leur forme et leur résistance. N'utiliser aucun équipement non compatible. S'assurer que tous les connecteurs sont bien fermés et verrouillés.

Les connecteurs 3M (crochets à ressort et mousquetons) sont conçus pour être utilisés uniquement selon les directives propres à chacun des produits. Consulter la figure 6 pour obtenir des exemples de raccordements inappropriés. Ne pas connecter de crochet à ressort et de mousqueton :

- A. À un anneau en D auquel un autre connecteur est déjà fixé.
- B. De manière à occasionner une charge sur la clavette. Les crochets à ressort à ouverture large ne doivent pas être connectés à des anneaux en D de taille standard ou à d'autres objets semblables, au risque d'entraîner une charge sur la clavette si le crochet ou l'anneau en D se déforme ou pivote, sauf si le crochet à ressort est équipé d'une clavette de 16 kN (3 600 lb) de capacité. Vérifier les directives sur le crochet à ressort afin d'assurer qu'il convient à l'application.
- C. En cas de fixation défectueuse, où certains éléments qui dépassent du crochet à ressort ou du mousqueton se prennent dans le point d'ancrage et semblent être totalement pris dans le point d'ancrage sans pouvoir le vérifier visuellement.
- D. L'un à l'autre.
- E. Directement à la sangle, à la longe en corde ou à la longe à nœud coulant (à moins que les directives du fabricant pour la longe et le connecteur n'autorisent un raccordement de ce type).
- F. À un objet dont la forme ou la dimension bloque la fermeture et le verrouillage du crochet à ressort ou du mousqueton ou pourrait provoquer leur décrochage.
- G. S'ils ne permettent pas au connecteur de s'aligner correctement alors qu'il est sous tension.

### 3.0 INSTALLATION

Pour obtenir des versions spéciales (personnalisées) de ce produit, suivre les directives d'utilisation ci-dessous. Si joint, se reporter au supplément de directives spécifiques à suivre pour un produit personnalisé.

L'installation du trépied Protecta doit être supervisée par une personne qualifiée<sup>1</sup>. L'installation doit être certifiée par une personne qualifiée<sup>2</sup> comme étant conforme aux critères d'un ancrage homologué ou capable de supporter les forces potentielles qui peuvent être générées lors d'une chute.

**3.1 PLANIFICATION :** Planifier la configuration de son système de protection contre les chutes avant d'installer le trépied. Prendre en compte tous les facteurs qui pourraient affecter la sécurité avant, pendant et après une chute. Tenir compte de toutes les exigences, restrictions et spécifications indiquées dans la section 2 et le tableau 1. Tout travail doit être effectué de manière telle que le trépied est placé pour réduire au minimum le risque de chute et de distance de chute potentiels. Examiner les considérations de logistique suivantes avant d'utiliser le trépied :

**A. ÉVALUATION DES DANGERS :** Évaluer les dangers sur le lieu de travail avant de commencer à travailler. Consulter les normes de l'industrie applicables décrivant les directives et les exigences réglementaires qui portent sur des problèmes, tels que l'entrée en espace confiné, les systèmes antichute personnels et les échafauds suspendus simples et réglables, et autres.

**B. GÉOMÉTRIE DE L'AIRE DE TRAVAIL :** L'installation et l'utilisation du trépied doivent être conformes aux exigences géométriques énoncées aux sections 3.3 ou 3.4. Vérifier la présence d'obstructions ou d'arêtes vives sur le trajet des axes de travail suspendu. Éviter de travailler dans un endroit où l'utilisateur peut balancer et frapper un objet, ou dans un endroit où les cordes risquent de se croiser ou se mêler avec celles d'un autre ouvrier.

**C. SYSTÈME ANTICHUTE AUXILIAIRE OU DE SECOURS :** Si le trépied sert à suspendre le travailleur à la hauteur du travail ou à déplacer le personnel, l'utilisation d'un système antichute auxiliaire ou de secours est obligatoire. Le trépied dispose des points de connexion nécessaires à l'installation d'un système antichute personnel auxiliaire ou de secours. Consulter la section 3.5.

### 3.2 EXIGENCES D'INSTALLATION DU TRÉPIED :

Si une installation est utilisée pour plus d'un type d'application, il importe de toujours choisir la charge pour l'application présentant les exigences de charge les plus importantes. Pour les exigences concernant les types d'application et les charges de la structure, consulter la section 2.

Ne pas laisser la ligne de vie se prolonger à l'extérieur des pattes du trépied, car celui-ci pourrait basculer.

**A. EXIGENCES GÉOMÉTRIQUES :** Le trépied doit être installé à un endroit où il peut être mis à niveau en réglant la hauteur des pattes. La base sous chaque patte doit être solide, et doit pouvoir soutenir la charge prévue. Placer le trépied de manière à ce que la ligne de vie se trouve directement au-dessus de la zone de travail prévue une fois installée. Éviter de placer le trépied à un endroit où le travailleur devra se balancer sous celui-ci pour atteindre la zone de travail. Éviter de placer le trépied là où la ligne de vie risque de se frotter sur des arêtes vives. Voir la figure 7.

Ne pas laisser la ligne de vie se prolonger à l'extérieur des pattes du trépied, car celui-ci pourrait basculer.

**B. INSTALLATION DU TRÉPIED :** Voir la figure 7.

1. Poser le trépied sur la surface de travail.
2. Régler les pattes à la hauteur de travail requise.
3. Basculer le trépied jusqu'en position verticale.
4. Écarter complètement les pattes et s'assurer que la base sous chaque patte est solide et peut supporter les charges prévues.
5. Placer le trépied au-dessus de l'ouverture pour que la ligne de vie se retrouve environ au centre de celle-ci. Cette position assurera une zone de travail sécuritaire pour l'utilisateur.
6. Mettre le trépied à niveau en réglant la hauteur des pattes.
7. Resserrer la chaîne de sécurité pour éviter tout jeu.

Sauf dans des situations d'urgence au cours desquelles la chaîne de sécurité pourrait entraver un sauvetage, le trépied ne doit jamais être utilisé sans la chaîne de sécurité.

Si une ou plusieurs pattes ne sont pas verrouillées en position déployée (complètement écartées), ne pas utiliser le trépied.

**3.3 RACCORDER L'ÉQUIPEMENT AU TRÉPIED :** Le trépied est conçu pour des applications à usages multiples qui pourraient impliquer l'usage d'un ou de plusieurs systèmes fixés à celui-ci. Voir ci-dessous pour savoir comment raccorder l'équipement au trépied DBI-SALA. Examiner toutes les directives d'équipement connexes pour obtenir plus de renseignements avant l'installation.

Il est possible de fixer plusieurs systèmes au trépied (p. ex., ligne de vie principale et de secours) pour soutenir une seule personne. **Seules les applications de sauvetage d'urgence permettent une utilisation par deux personnes.**

Un seul système peut être fixé à une patte de trépied. Au plus deux systèmes peuvent être fixés à un même trépied, à l'exception des lignes de vie de secours (applications antichute) qui sont limitées à une par système.

**A. BOULONS À ŒIL :** Il est possible de fixer un sous-système (dispositif autorétractable ou ligne de vie avec coulisseau) à l'un des points d'ancrage de boulons à œil. Voir la figure 8. Fixer l'équipement au point d'ancrage de boulons à œil à l'aide d'un axe à épaulement (force de rupture minimale de 5 000 lb [22,2 kN]), de mousquetons autoverrouillables ou de crochets à ressort autoverrouillables.

**B. POULIE DE MONTAGE SUR PATTE :** Les figures 9 et 10 illustrent le modèle à poulie de montage sur patte 8003238. Cette poulie est utilisée lorsque plusieurs appareils sont fixés à la patte du trépied nécessitant une poulie directionnelle. La poulie respecte un facteur de sécurité de 5:1 lorsqu'elle est utilisée avec un trépied DBI-SALA. La poulie de montage sur patte peut accueillir une ligne de vie d'au plus 1/4 po de diamètre. Installer la poulie de montage sur patte sur la patte du trépied voulue tel qu'illustré à la figure 9. Placer la poulie de montage sur patte à 12 po du haut du trépied. La poulie peut être placée d'un côté ou de l'autre de la patte du trépied. Il peut s'avérer nécessaire de retirer l'un des boulons à œil pour obtenir le dégagement requis pour la ligne de vie. Serrer les boulons des plaques de serrage à 15 pi-lb. Ne pas utiliser ni installer plus d'un système sur une même patte de trépied.

**C. SUPPORT DE MONTAGE RAPIDE :** Pour installer le modèle de support de montage rapide 8005048 à la patte du trépied, assembler tel qu'illustré à la figure 11A. Régler le support à la position voulue sur la patte et serrer les boulons à 15 pi-lb. Ne pas trop serrer. Ne pas installer le support de montage rapide sur la patte inférieure (télescopique). Le support de montage rapide doit servir à la connexion du treuil SalaliftMC (série 8101000), du treuil de travail (série 8103000) ou pour l'installation sur patte des lignes de vie autorétractables 3M (figure 11B).

**D. POULIE DE MONTAGE SUR TÊTE :** Les modèles de trépied 8000000 et 8000010 sont dotés de poulies de montage sur tête (A). Ces poulies doivent servir à l'installation de la ligne de vie du système principal au-dessus de la tête du trépied, lorsqu'utilisé à la position montée sur patte. Les poulies de montage sur tête peuvent accueillir une ligne de vie allant jusqu'à 1/4 po de diamètre. Voir la figure 12.

**E. POULIE AVEC MOUFLE OUVRANTE :** La figure 13 illustre l'ensemble de poulies avec moufle ouvrante en option (A), modèle 8003205. Cette poulie avec moufle ouvrante est utilisée lorsque plusieurs appareils sont fixés au trépied nécessitant une poulie directionnelle. Cette poulie respecte un facteur de sécurité de 5:1 lorsqu'elle est utilisée avec le trépied DBI-SALA. La poulie avec moufle ouvrante est fixée à l'un des boulons à œil inutilisés et peut accueillir une ligne de vie d'un diamètre pouvant aller jusqu'à 1/4 po. Ne pas utiliser le treuil SalaliftMC avec la poulie à moufle ouvrante, car cela pourrait occasionner la friction du câble sur la patte du trépied, et un enroulement inégal de la ligne de vie sur le tambour du treuil.

**F. TREUIL SALALIFTMC :** Lorsque le treuil Salalift (série 8101000) est utilisé avec le trépied, le treuil (B) doit être fixé à la patte en ligne droite avec les poulies de montage sur tête (figure 12). Faites passer le câble du treuil au-dessus des poulies de montage sur tête, tel qu'expliqué dans les directives d'utilisation du treuil Salalift. Ne pas utiliser le treuil avec une poulie à moufle ouvrante.

## 4.0 UTILISATION

**4.1 AVANT CHAQUE UTILISATION :** Vérifier que la zone de travail et le système antichute individuel répondent à tous les critères définis à la section 2 et qu'un plan de sauvetage est en place. Inspecter le trépied en suivant les points d'inspection « Utilisateur » définis dans le « Journal d'inspection et d'entretien » (Tableau 2). Si l'inspection révèle des conditions dangereuses ou des défauts, mettre immédiatement le système hors service. Consulter la section 5 pour obtenir des renseignements sur les défauts.

**4.2 CONNEXIONS POUR SYSTÈME ANTICHUTE :** Le trépied est utilisé avec un harnais de sécurité complet et une longe amortisseur de choc ou un dispositif autorétractable.

Les nœuds ne doivent pas servir à supporter et raccorder des charges. Certains nœuds réduisent la résistance de la ligne de vie jusqu'à 50 % et plus.

## 5.0 INSPECTION

**5.1 FRÉQUENCE D'INSPECTION :** Le trépied doit être inspecté en fonction des intervalles définis dans la section 1. Les procédures d'inspection sont décrites dans le « Journal d'inspection et d'entretien » (tableau 2). Inspecter tous les autres composants du système de protection contre les chutes selon les fréquences et les procédures définies dans les directives du fabricant. Les conditions de travail extrêmes (milieux rigoureux, utilisation prolongée, etc.) peuvent exiger des inspections périodiques plus fréquentes.

**5.2 APRÈS UNE CHUTE :** Si le trépied a été soumis à un arrêt de chute ou des forces d'impact, il doit être immédiatement mis hors service et inspecté.

**5.3 DÉFECTUOSITÉS :** Si l'inspection révèle une condition dangereuse ou une défectuosité, mettre immédiatement le trépied hors service et communiquer avec 3M en vue de son remplacement ou de sa réparation. Ne pas essayer pas de réparer le système antichute.

**Réparations autorisées :** SEULES 3M ou les parties autorisées par écrit peuvent réparer cet équipement.

**5.4 DURÉE UTILE DU PRODUIT :** La durée utile du système antichute est déterminée par les conditions de travail et l'entretien. Tant que le produit satisfait aux critères d'inspection, il peut être utilisé.

## 6.0 ENTRETIEN, SERVICE et ENTREPOSAGE

- 6.1 NETTOYAGE :** Nettoyer régulièrement les composants métalliques du trépied avec une brosse douce, de l'eau chaude et une solution savonneuse douce. Veiller à rincer les pièces minutieusement avec de l'eau propre. Nettoyer les étiquettes au besoin.
- 6.2 ENTREPOSAGE ET TRANSPORT :** Lorsqu'il n'est pas utilisé, entreposer et transporter le trépied avec le matériel et l'équipement de protection contre les chutes connexe dans un endroit frais, sec et propre, ainsi qu'à l'abri de la lumière directe du soleil. Éviter les zones présentant des vapeurs chimiques. Procéder à un examen minutieux après un entreposage prolongé.

## 7.0 ÉTIQUETTES

La figure 14 montre les étiquettes apposées sur le trépied. Si elles ne sont pas parfaitement lisibles, les étiquettes doivent être remplacées. Les renseignements apparaissant sur chaque étiquette sont les suivants :

1	<p><b>Capacité de charge :</b> 159 kg (350 lb) maximum</p> <p><b>Capacité :</b> 59 à 140 kg (130 à 310 lb)</p> <p><b>Matériaux :</b> Aluminium et acier zingué</p> <p><b>Modèle :</b> 8000000 (7 pi); 8000010 (9 pi)</p> <p><b>Normes :</b> ANSI Z359.4; ANSI Z117.1; OSHA 1910.140; OSHA 1926.502</p>
2	<p>Les instructions du fabricant fournies avec ce produit au moment de la livraison doivent être respectées afin d'assurer une utilisation, une inspection et un entretien adéquats. La modification ou la négligence dans l'utilisation de ce produit, ou le défaut de respecter les directives peut entraîner de graves blessures, voire la mort.</p> <p><b>Inspection :</b> Avant chaque utilisation, inspecter le trépied pour déterminer s'il est en bon état et s'il fonctionne adéquatement. Une inspection doit être effectuée par une personne qualifiée au moins chaque mois selon le manuel de l'utilisateur. Si une inspection révèle un état non sécuritaire ou douteux, n'utilisez pas cet équipement. N'est pas réparable par l'utilisateur.</p> <p><b>Utilisation :</b> Pour dresser le trépied, tirez les pattes vers le bas tel qu'illustré et faites glisser les pattes vers l'extérieur. Assurez-vous que le verrou est engagé. Pour réduire le trépied, tirez une patte vers le bas et glissez-la à l'intérieur. Réglez la hauteur du trépied et mettez la tête du trépied au niveau en ajustant la ou les pattes télescopiques inférieures. Le trépied doit être au niveau et reposer sur une base solide pour une utilisation sécuritaire. Réglez les chaînes de patte du trépied pour éliminer le relâchement. Pour éviter de basculer, la charge doit demeurer à l'intérieur du périmètre des chaînes. Au besoin, (consultez le manuel de l'utilisateur), raccordez le système antichute personnel de secours au boulon à œil situé sous la tête du trépied. N'utilisez que des connecteurs compatibles. Consulter le manuel de l'utilisateur pour obtenir des renseignements sur les connexions. Éviter que le système antichute, de sauvetage ou de déplacement de personnel ne se frotte sur des arêtes vives ou des surfaces abrasives. Faire preuve de prudence lorsque cet équipement est utilisé près des sources de chaleur, de courant électrique ou de produits chimiques. Consulter le manuel de l'utilisateur pour de plus amples renseignements.</p>





**GLOBAL PRODUCT WARRANTY, LIMITED REMEDY  
AND LIMITATION OF LIABILITY**

**WARRANTY:** THE FOLLOWING IS MADE IN LIEU OF ALL WARRANTIES OR CONDITIONS, EXPRESS OR IMPLIED, INCLUDING THE IMPLIED WARRANTIES OR CONDITIONS OF MERCHANTABILITY OR FITNESS FOR A PARTICULAR PURPOSE.

Unless otherwise provided by local laws, 3M fall protection products are warranted against factory defects in workmanship and materials for a period of one year from the date of installation or first use by the original owner.

**LIMITED REMEDY:** Upon written notice to 3M, 3M will repair or replace any product determined by 3M to have a factory defect in workmanship or materials. 3M reserves the right to require product be returned to its facility for evaluation of warranty claims. This warranty does not cover product damage due to wear, abuse, misuse, damage in transit, failure to maintain the product or other damage beyond 3M's control. 3M will be the sole judge of product condition and warranty options.

This warranty applies only to the original purchaser and is the only warranty applicable to 3M's fall protection products. Please contact 3M's customer service department in your region for assistance.

**LIMITATION OF LIABILITY:** TO THE EXTENT PERMITTED BY LOCAL LAWS, 3M IS NOT LIABLE FOR ANY INDIRECT, INCIDENTAL, SPECIAL OR CONSEQUENTIAL DAMAGES INCLUDING, BUT NOT LIMITED TO LOSS OF PROFITS, IN ANY WAY RELATED TO THE PRODUCTS REGARDLESS OF THE LEGAL THEORY ASSERTED.

**GARANTIE INTERNATIONALE DU PRODUIT, RECOURS LIMITÉ  
ET LIMITATION DE RESPONSABILITÉ**

**GARANTIE :** CE QUI SUIT REMPLACE TOUTES LES GARANTIES OU CONDITIONS, EXPRESSES OU IMPLICITES, Y COMPRIS LES GARANTIES OU LES CONDITIONS IMPLICITES RELATIVES À LA QUALITÉ MARCHANDE ET À L'ADAPTATION À UN USAGE PARTICULIER.

Sauf disposition contraire de la loi, les produits de protection antichute 3M sont garantis contre tout défaut de fabrication en usine et de matériaux pour une période d'un (1) an à compter de la date d'installation ou de la première utilisation par le propriétaire initial.

**RECOURS LIMITÉ :** Moyennant un avis écrit à 3M, 3M réparera ou remplacera tout produit présentant un défaut de fabrication en usine ou de matériaux, tel que déterminé par 3M. 3M se réserve le droit d'exiger le retour du produit dans ses installations afin d'évaluer la réclamation de garantie. Cette garantie ne couvre pas les dommages au produit résultant de l'usure, d'un abus ou d'une mauvaise utilisation, les dommages subis pendant l'expédition, le manque d'entretien du produit ou d'autres dommages en dehors du contrôle de 3M. 3M jugera seul de l'état du produit et des options de garantie.

Cette garantie s'applique uniquement à l'acheteur initial et est la seule garantie applicable aux produits de protection antichute de 3M. Veuillez communiquer avec le service à la clientèle de 3M de votre région pour obtenir de l'aide.

**LIMITATION DE RESPONSABILITÉ :** DANS LES LIMITES PRÉVUES PAR LES LOIS LOCALES, 3M NE SERA TENU POUR RESPONSABLE DE TOUT DOMMAGE INDIRECT, ACCESSOIRE, SPÉCIFIQUE OU CONSÉCUTIF INCLUANT, SANS S'Y LIMITER, LA PERTE DE PROFIT, LIÉS DE QUELQUE MANIÈRE AUX PRODUITS, QUELLE QUE SOIT LA THÉORIE LÉGALE INVOQUÉE.





## Fall Protection

### USA

3833 SALA Way  
Red Wing, MN 55066-5005  
Toll Free: 800.328.6146  
Phone: 651.388.8282  
Fax: 651.388.5065  
3Mfallprotection@mmm.com

### Brazil

Rodovia Anhanguera, km 110  
Sumaré - SP  
CEP: 13181-900  
Brasil  
Phone: 0800-013-2333  
falecoma3m@mmm.com

### Mexico

Calle Norte 35, 895-E  
Col. Industrial Vallejo  
C.P. 02300 Azcapotzalco  
Mexico D.F.  
Phone: (55) 57194820  
3msaludocupacional@mmm.com

### Colombia

Compañía Latinoamericana de Seguridad S.A.S.  
Carrera 106 #15-25 Interior 105 Manzana 15  
Zona Franca - Bogotá, Colombia  
Phone: 57 1 6014777  
fallprotection-co@mmm.com

### Canada

260 Export Boulevard  
Mississauga, ON L5S 1Y9  
Phone: 905.795.9333  
Toll-Free: 800.387.7484  
Fax: 888.387.7484  
3Mfallprotection-ca@mmm.com

### EMEA (Europe, Middle East, Africa)

*EMEA Headquarters:*  
Le Broc Center  
Z.I. 1re Avenue - BP15  
06511 Carros Le Broc Cedex  
France  
Phone: + 33 04 97 10 00 10  
Fax: + 33 04 93 08 79 70  
informationfallprotection@mmm.com

### Australia & New Zealand

137 McCredie Road  
Guildford  
Sydney, NSW, 2161  
Australia  
Toll-Free : 1800 245 002 (AUS)  
Toll-Free : 0800 212 505 (NZ)  
3msafetyaucs@mmm.com

### Asia

*Singapore:*  
1 Yishun Avenue 7  
Singapore 768923  
Phone: +65-6450 8888  
Fax: +65-6552 2113  
TotalFallProtection@mmm.com

### China:

38/F, Maxdo Center, 8 Xing Yi Rd  
Shanghai 200336, P R China  
Phone: +86 21 62753535  
Fax: +86 21 52906521  
3MFallProtecton-CN@mmm.com

### Korea:

3M Koread Ltd  
20F, 82, Uisadang-daero,  
Yeongdeungpo-gu, Seoul  
Phone: +82-80-033-4114  
Fax: +82-2-3771-4271  
TotalFallProtection@mmm.com

### Japan:

3M Japan Ltd  
6-7-29, Kitashinagawa, Shinagawa-ku, Tokyo  
Phone: +81-570-011-321  
Fax: +81-3-6409-5818  
psd.jp@mmm.com

WEBSITE:  
[3M.com/FallProtection](http://3M.com/FallProtection)



EU DECLARATION OF CONFORMITY:  
[3M.com/FallProtection/DOC](http://3M.com/FallProtection/DOC)