



Technical Datasheet

3M™ L-Series Headtops L-905

Description

An integrated enclosed heavy-duty helmet, designed to cater for head, face, eye and respiratory protection. The L-Series is available in two models—the L-901 helmet and the L-905 Welding Helmet.

Features

- Wide-view lens allows for excellent peripheral and downward vision.
- Headgear is lightweight and well balanced.
- Can be worn with eyeglasses and also facial hair.
- Nod down welding shield.
- Flame retardant neck cape.
- 4 Point adjustable helmet suspension
- Provides comfort and high protection levels.

Specifications

- AS/NZS1716 compliant respirator head and face covering
- AS/NZS1337 compliant high impact face protection
- AS/NZS1801 compliant Type 1 Industrial safety Helmet
- AS/NZS1338 welding protection when fitted with a suitable welding lens (133mm x 114mm)
- Polycarbonate/Polyester resin helmet shell
- Weight:1405g (excluding breathing tube, shroud and shade lens)
- Temperature limit:
 - 60°C with Standard Acetate wide view lens
 - 82°C with Polycarbonate wide view lens

	Product Code	3M Order Code
L905 Lightning Welding Helmet with QRS	902-01-76	AT019167901
Optional Accessories	Product Code	3M Order Code
Wide View Visor	L131-10	70070798684
Leather Welding Shroud	L127	70070798643
Welding Shield - High Temperature	L184	70070845758
Tear off Lens—25 per pack	L-133-25	AT019185267
Systems	Product Code	3M Order Code
L905 with 3M™ Jupiter™ PAPR System	902-02-49	AT019184319
L905 with 3M™ Dustmaster™ PAPR System	902-02-58	AT019184574
L905 with Standard Supplied Air System	902-02-72	AT019184855
L905 with Supplied Air Cooling Vortex System	902-02-73	AT019184863
L905 with Supplied Air Heating Vortex System	902-02-74	AT019184871

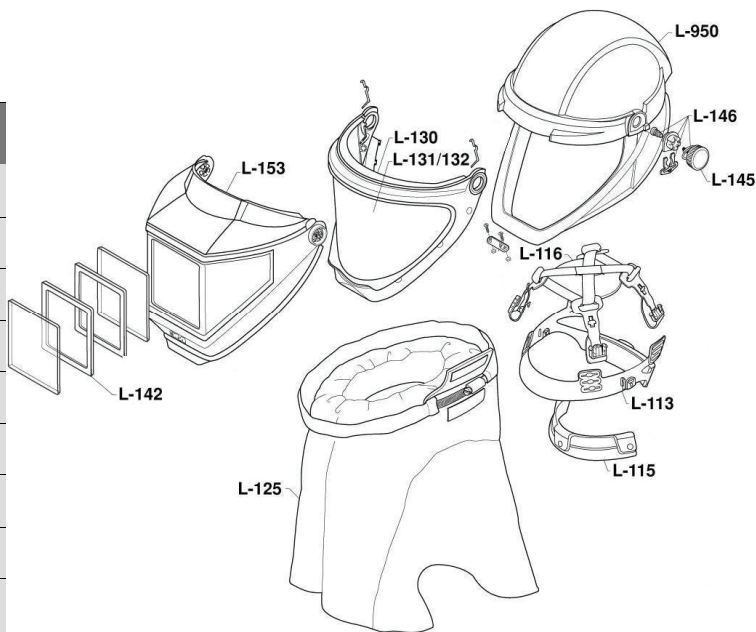




Technical Datasheet

3M™ L-Series Headtops L-905

Parts	Product Code	3M Order Code
Head Harness (Complete)	L-113-2	AT019167041
Comfort Band	L-115-10	70070798577
Lightning Head Pad	L-116-2	AT019185192
Shroud, Flame Retardant (Nomex)	L-125-2	AT019202418
Visor Surround	L-130	70070798676
Visor Polycarbonate H/Temp	L-132-10	70070798692
Welding Lens Gasket	L-142	70070798759
Welding Knob	L-145-10	70070798783
Welding Knob & Pivot Kit	L-146	70070798791
Nod Down Welding Shield	L-153	70070798841
Welding Shield - High Temperature	L-184	70070845758
Helmet Shell	L-950	70070799005
Lightning QRS Connector	080-15-01P10	AT019167090



Occupational Health and Environmental Safety Division
 3M Australia Pty Ltd
 950 Pacific Highway
 Pymble NSW 2073
 Phone: 136 136
 Fax: 02 9498 9616
 TechAssist Helpline: 1800 024 464
 E-mail: techassist@mmm.com.au
 Website: www.3M.com/au/ohs

Occupational Health and Environmental Safety Division
 3M New Zealand Ltd
 PO Box 33246
 Takapuna, North Shore City 0740
 Tech Helpline: 0800 364 357
 Customer services: 0800 252 627
 Fax: 0800 367 253
 E-mail: innovation@nz.mmm.com
 Website: www.3M.co.nz/safety

© 3M 2010. All rights reserved.
 Please recycle.