



**TRUCK STORAGE SOLUTIONS**  
SECURING YOUR REPUTATION®

# INSTALLATION MANUAL

## ALUMINUM & STEEL SADDLE BOX

**ATTENTION: PLEASE READ AND UNDERSTAND ALL INSTRUCTIONS AND WARNINGS BEFORE ASSEMBLING, INSTALLING OR USING THIS PRODUCT.**

**MODELS** 116-X-02, 117-X-02, 126-X-02, 127-X-02

**Note:** X represents the color code for your model: 0 = Clear | 3 = White | 5 = Black | 52 = Matte Black



### ⚠ NOTICE

Use specific aluminum upfit components when installing WEATHER GUARD® products to aluminum truck beds. Follow additional instructions if mounting to an aluminum truck bed. There may be left over components depending on upfit.

Any modification or unintended use of this product shall immediately void all manufacturers warranties. Manufacturer disclaims all liability for injuries to persons or property resulting from any modification to, or unintended use of this product.

### ⚠ DANGER

Danger of explosion. Do not use this product for storing or transporting flammables, explosives, hazardous materials, or hazardous waste, such as containers of gasoline, solvents, gun powder, dynamite, propane tanks, acetylene tanks and cutting torches. This product is only intended and safe for use in storing and transporting small tools, equipment and other similar materials. Any modifications made to, or unintended use of this product, could create a hazardous condition that can cause death, serious personal injury or property damage.


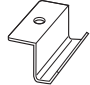

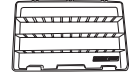
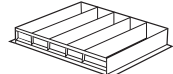
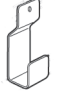
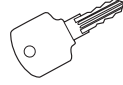
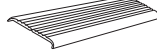
### ⚠ CAUTION

Before marking the leg mounting holes, check inside the box for location of gas spring housing and components that may obstruct safe drilling. To keep debris out of your eyes when checking the underside of the vehicle, or when drilling, always wear protective eyewear.

## TOOLS REQUIRED

- Ratchet Wrench - 1/2"
- Ruler

## PARTS LIST

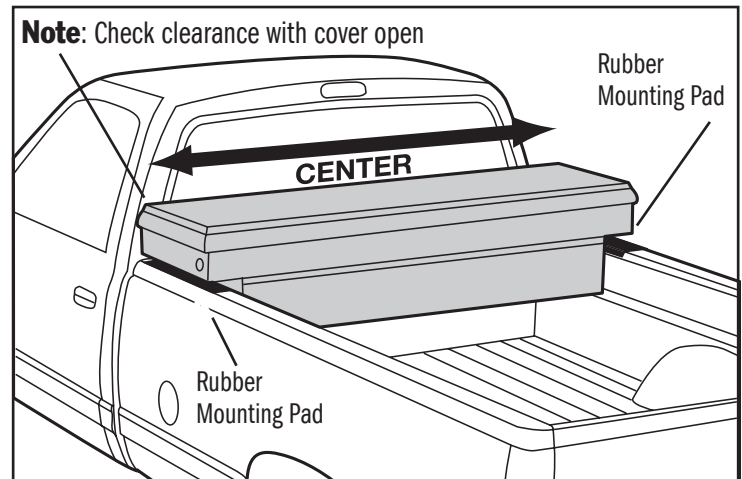
 (4) Fender Washer	 (4) Mounting Clamps	 (4) 5/16-18 x 2-1/4" Hex Head Bolt	 (1) Plastic Small Parts Box	 (1) Tray with Dividers
 (2) Level Holder Bracket	 (2) Key	<b>Note:</b> The rubber mounting pad comes as a single piece and must be separated into two pieces, one for each side of the truck.  Rubber Mounting Pads		

## ALUMINUM BED UPFIT KIT PARTS LIST - 32-0242

 (4) Vinyl Tape	 (1) Zinc Rich Primer			
--------------------------------------------------------------------------------------------------------	--------------------------------------------------------------------------------------------------------------	--	--	--

## INSTALLATION INSTRUCTIONS

- Note:**
- If the truck bed is constructed of aluminum, use zinc rich primer to coat drilled holes.
  - If the pickup is fitted with a plastic drop-in bed liner, it may need to be drilled, trimmed, or cut for proper installation of truck box.
  - Truck box cover may not properly latch until box is fully bolted to truck bed in (4) places.
  - Because truck bed configurations vary, (6) mounting slots have been provided, to ensure the use of (4) mounting clamps.
  - Periodically check tightness of mounting clamps to ensure proper attachment.
  - Use touch-up paint on any drill holes to prevent oxidation.
  - Install boxes with vehicle parked on level ground.



### STEP 1 Locate Box in Truck Bed

Place rubber mounting pads on bed rails. Place box into position on top of mounting pads. Use ruler to ensure box is centered in truck bed and that cover opens fully without interference.

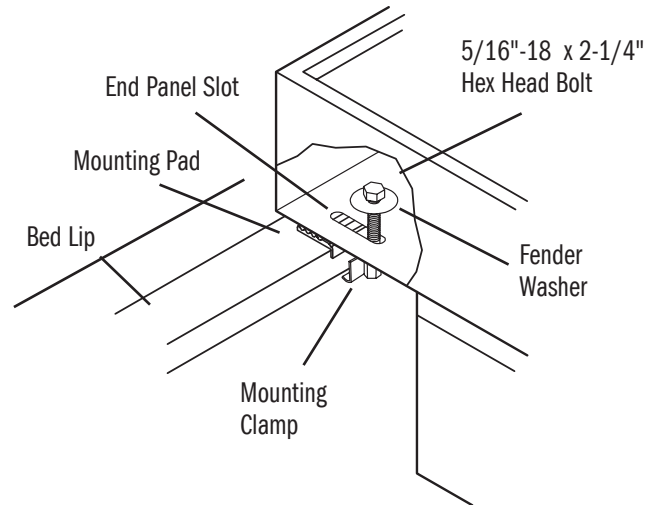
### ALUMINUM TRUCK BED INSTALLATION:

Use vinyl tape as a barrier between the mounting clamp and truck bed. Follow same instructions if mounting with a "J" bolt.

## STEP 2 Attach Box to Truck Bed

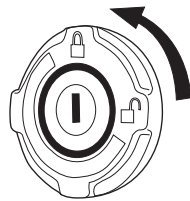
**Note:** · Mounting clamp bolt may be difficult to turn due to the “lock nut” feature. Apply a small amount of grease to bolt threads prior to installation to ease assembly.

Attach mounting clamp, bolts and washers as shown in figure to the right. Start with slot at drivers side front and work clock-wise until all four clamps have been installed.



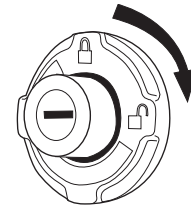
## Lock System

The WEATHER GUARD® Extreme Protection™ Lock is designed to provide maximum security, while providing ease of use and years of reliable service. When in the locked mode, the button remains retracted in a tamper-resistant position. When the button is pressed in the unlock mode, the latches are activated and the cover opens.



### Lock

Turn the key counterclockwise to the locked position as indicated on the lock bezel. When the button is now pressed, it will stay in the retracted or tamper-resistant position until unlocked.



### Unlock

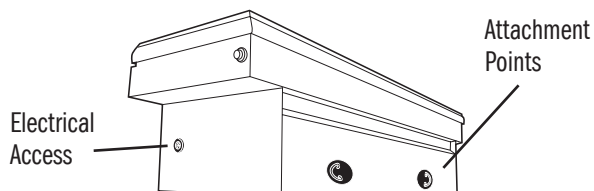
Turn the key clockwise to the unlocked position as indicated on the lock bezel. Button will pop out and is now ready to release the latches when pressed.

## Latch System

The WEATHER GUARD® Latch System utilizes automotive grade latches in conjunction with high strength latch strikers to ensure maximum security. The WEATHER GUARD® Latch System is designed to open with a single touch of the button, and close securely. Expect years of reliable service from the WEATHER GUARD® Latch System with only minimal maintenance: Lubricate latch pivot points bi-annually with white grease. If latch strikers are accidentally knocked out of alignment, simply use a mallet to re-align.

## 12V Electrical Access

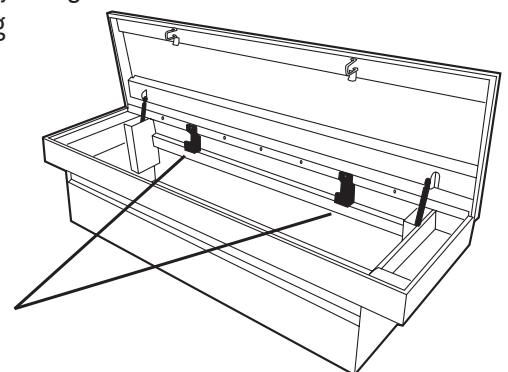
WEATHER GUARD® Truck Boxes are equipped with a 12 volt electrical access grommet for easy electrical accessory fit-ups. To use, simply cut along one or more perforations in the rubber grommet and run wire through.



## Level Holder

WEATHER GUARD® Saddle Boxes are equipped with brackets that allow safe and easy storage of levels. Install using existing bolts.

Install holders using existing bolts



# ⚠ WARNING

## Extension Cord

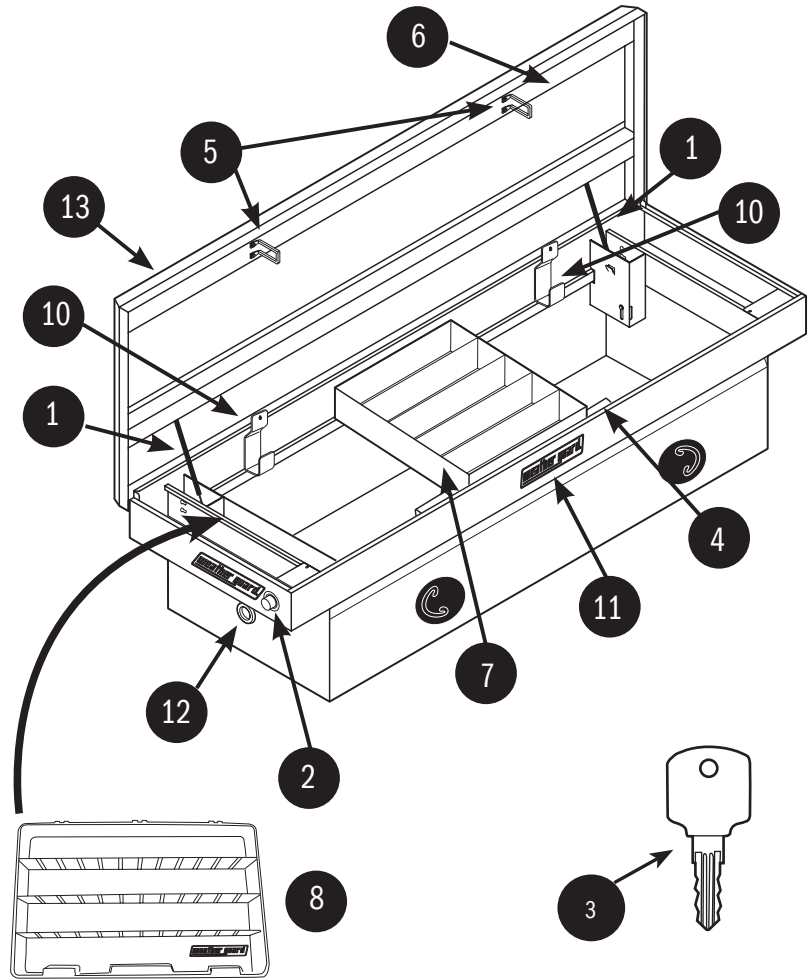
- Follow all Extension Cord manufacturer's warnings and instructions.
- DO NOT insert extension cord through hole without grommet in place.
- Only use a three-wire extension cord with all three prongs intact. Never remove the round grounding prong.
- Extension cord must be connected to a 120 Volt GFCI protected outlet with proper ground. If GFCI outlet is not available, use an extension cord with GFCI protection built in.
- Check the insulation and plugs of extension cord before using. DO NOT use cord if it is worn or damaged.
- DO NOT overload extension cord.
- Remove extension cord from the grommet hole before moving or transporting saddle/cross box.
- Only use an extension cord that is rated for outdoor use.
- DO NOT connect extension cord to outlet that also supplies critical safety equipment with power.

## Cordless Power Tool Battery Chargers

- See Charger's Owner's Manual for proper use and care of charger and batteries. Follow all warnings and instructions provided with your battery charger.
- Place chargers and electrical connections in tray.
- Chargers are dry location use only. DO NOT expose to liquid, vapor, or rain. Should your charger become wet, DO NOT attempt to use.
- Unplug extension cord from supply before handling wet charger or cords.
- Only use chargers and batteries that are intact and operating properly.
- DO NOT touch metal prongs when plugging charger into extension cord.
- Keep flammable materials like paper or rags away from charger, cords or connections.
- DO NOT place or attempt to charge lead acid, car type batteries in saddle/cross box.

## SERVICE PARTS

#	PART #	DESCRIPTION	FITS MODEL #
1	7008-2PK	Gas Spring (2 PK)	117-X-02
1	7009-2PK	Gas Spring (2 PK)	127-X-02
1	7250-2PK	Gas Spring (2 PK)	126-X-02
1	7251-2PK	Gas Spring (2 PK)	116-X-02
2	7748-XX	Lock & Key Set (XX = key code) (1 lock, 2 keys, retainer clip)	All Saddle Boxes
3	7750-XX	Key Replacement (XX = key code) (2 keys)	All Saddle Boxes
4	7731	Latch & Striker Kit (1 latch, 1 striker, mounting hardware)	All Saddle Boxes
5	7106	Striker Kit (1 striker and mounting hardware)	All Saddle Boxes
6	7730	Weather Strip Kit (various styles for 1 box)	All Saddle Boxes
7	615	Tray (1 tray plus dividers)	126-X-02, 127-X-02
7	617	Tray (1 tray plus dividers)	116-X-02, 117-X-02
8	618	Accessory Parts Box	All Saddle Boxes
9	7733	Mounting Kit (4 mounting clamps 4 bolts, 4 washers, 2 mount pads)	All Saddle Boxes
10	7737	Level Holder	
11	7746	Nameplate Kit (3 stickers, 2 side bezels, 1 back bezel)	All Saddle Boxes
12	7749	Grommet Kit	All Saddle Boxes
13	7782-X	Replacement Cover	117-X-02
13	7783-X	Replacement Cover	127-X-02
13	7861-X	Replacement Cover	116-X-02
13	7864-X	Replacement Cover	126-X-02
14	7738	Latch Rod Kit (Not shown)	All Saddle Boxes



**Note:** X represents the color code for your model:  
 0 = Clear | 3 = White | 5 = Black | 52 = Matte Black

# KNAACK LLC LIMITED LIFETIME WARRANTY FOR WEATHER GUARD® PRODUCTS

## WEATHER GUARD® Products – Limited Lifetime Warranty (Purchased on or after 1/1/2009)

KNAACK LLC (the “Manufacturer”) warrants to the original purchaser only that WEATHER GUARD® Truck and Van Products (the “WEATHER GUARD® Product”) will be free from defects in material and workmanship from the date of purchase and continuing for the expected lifetime of the WEATHER GUARD® Product. A copy of the original sales receipt must be supplied to the Manufacturer at the time a warranty claim is made. This warranty terminates if the original purchaser transfers the WEATHER GUARD® Product to any other person.

### What is Covered

All WEATHER GUARD® Products identified above that are purchased on or after January 1, 2009.

### What We Will Do To Correct Problems

Subject to the limitations and exclusions described in this limited warranty, the Manufacturer will remedy defects in materials or workmanship by providing one of the following remedies at its option and without charge to the original purchaser for parts or labor: (a) repairing the defective portion of the WEATHER GUARD® Product or (b) replacing the entire WEATHER GUARD® Product. In addition, the Manufacturer may elect at its option, not to repair or replace the WEATHER GUARD® Product, but rather issue to the original purchaser a refund equal to the purchase price paid for the WEATHER GUARD® Product or a credit to be used toward the purchase of a new WEATHER GUARD® Product.

### What is Not Covered

This limited warranty expressly excludes:

- Defects caused by normal wear and tear, cosmetic rust, scratches, accidents, unlawful vehicle operation, or modification to the product, or any types or repair of a WEATHER GUARD® Product other than those authorized or provided by the Manufacturer.
- Defects resulting from conditions beyond the Manufacturer’s control including, but not limited to misuse, overloading, or failure to assemble, mount or use the WEATHER GUARD® Product in accordance with the Manufacturer’s written instructions or guidelines included with the WEATHER GUARD® Product or made available to the original purchaser.
- Damage to the contents of the box or vehicle.
- TO THE EXTENT PERMITTED BY LAW, IN NO EVENT SHALL THE MANUFACTURER BE LIABLE FOR ANY INCIDENTAL, SPECIAL, INDIRECT, OR CONSEQUENTIAL DAMAGES, INCLUDING ANY ECONOMIC LOSS, WHETHER RESULTING FROM NONPERFORMANCE, USE, MISUSE OR INABILITY TO USE THE WEATHER GUARD® PRODUCT OR THE MANUFACTURER’S NEGLIGENCE.

### No Other Express Warranty Applies

This Limited Lifetime Warranty is the sole and exclusive warranty for WEATHER GUARD® Products. No employee, agent, dealer, or other person is authorized to alter this warranty or make any other warranty on behalf of KNAACK LLC.

### Notification Procedures

If the WEATHER GUARD® Product does not conform with the terms of this limited warranty, the original owner must promptly notify the Manufacturer in writing upon discovery of the nonconformity. In order to receive the remedies under this limited warranty, the warranty claim must describe the nature of the nonconformity, and a copy of the original sales receipt, invoice, bill or other proof of purchase must accompany the claim. Repairs or modifications made to the WEATHER GUARD® Product by other than the Manufacturer or its authorized agent will nullify this limited warranty. Coverage under this limited warranty is conditioned at all times upon the owner’s compliance with these required notification and repair procedures. Warranty claims must include reciprocal contact information and may be made via certified mail to:

KNAACK LLC  
ATTN: Warranty Claims  
420 E. Terra Cotta Avenue  
Crystal Lake, IL 60014



If you have any questions,  
please call toll free at 1-800-456-7865

WEATHER GUARD® Products are protected by one or more of the following patents:

U.S. - 5145087, 5308126, 4509787, 4573731, 4618083, D-346355, D-346994, D-353574; Canada - 1218968, 1224230, 1235100 and; U.K. - 2233036. Other patents pending.

