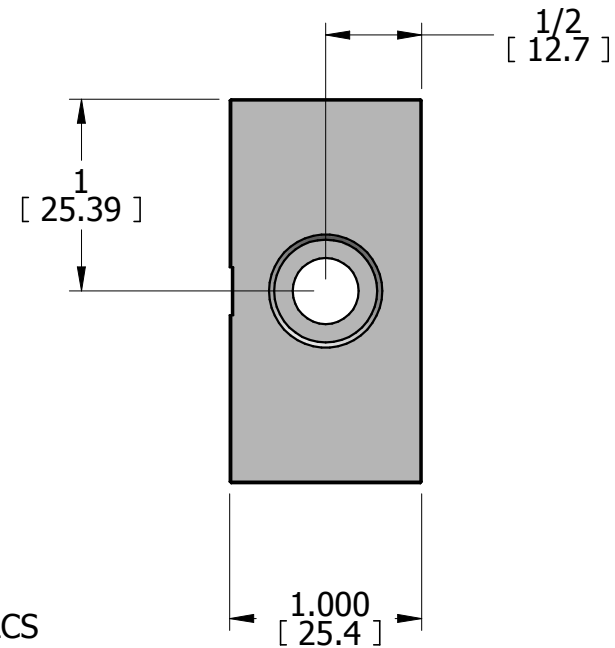
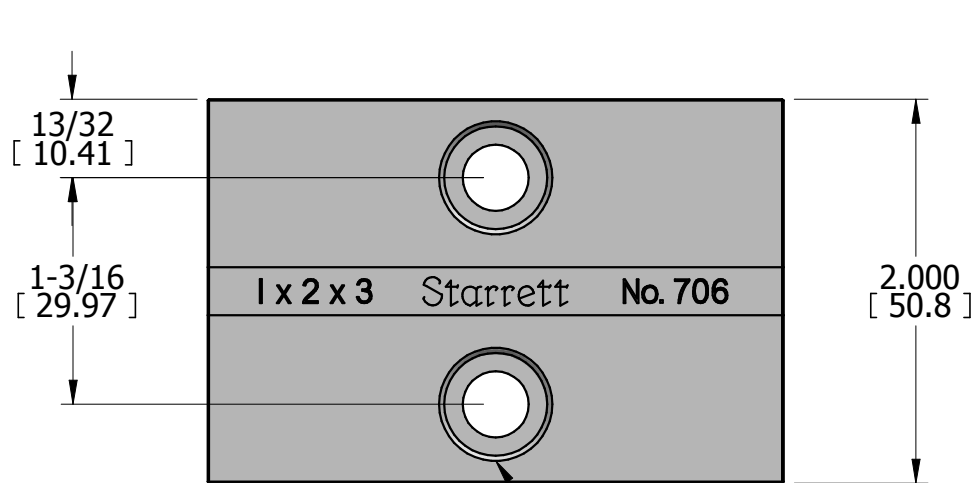
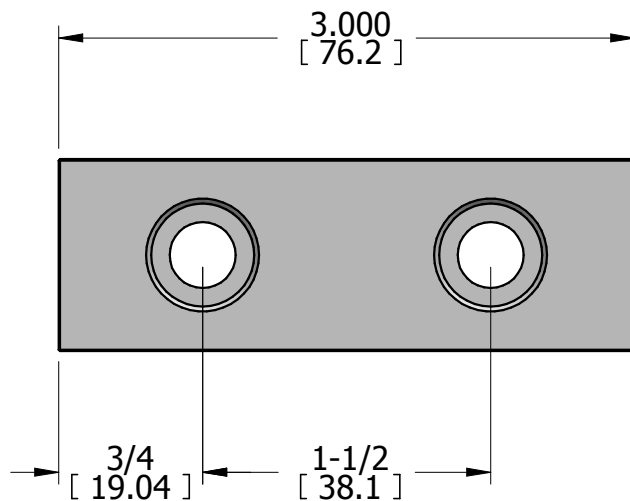


OPER

TOOLS



11/32 [8.73] DIA THRU 5 PLCS
.54 [13.61] x .35 [8.94] C'BORE 10 PLCS



REV	DESCRIPTION	DATE	BY
DR	DSP	CHK	DATE

1 X 2 X 3
PARALLEL BLOCK

THE L.S. STARRETT CO.
ATHOL, MASS.

FRACTIONAL TOLERANCE +- 1/64 UNLESS OTHERWISE NOTED